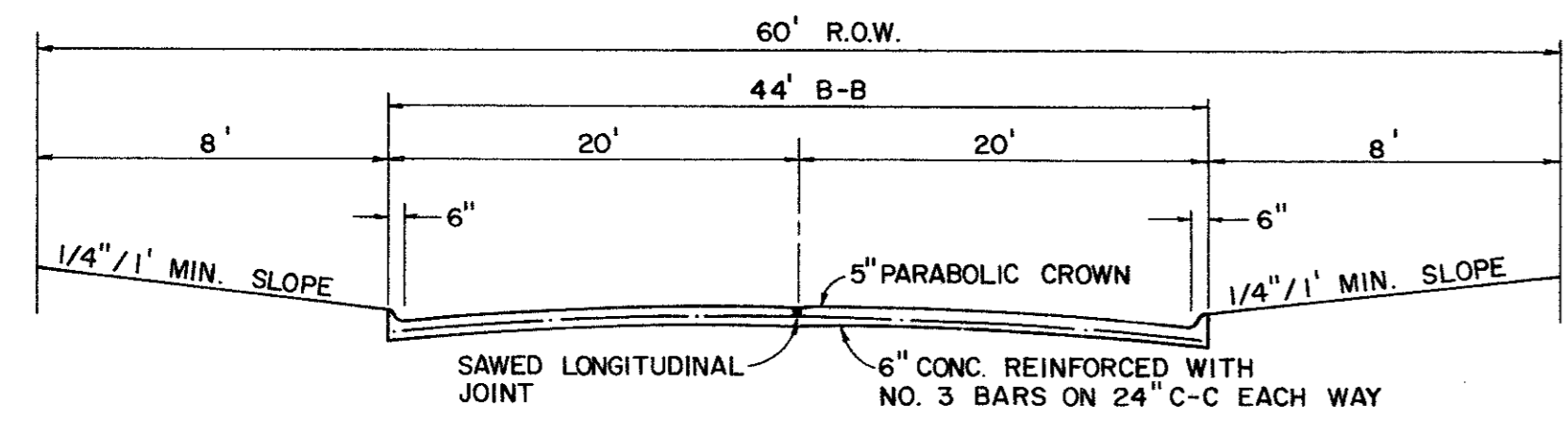
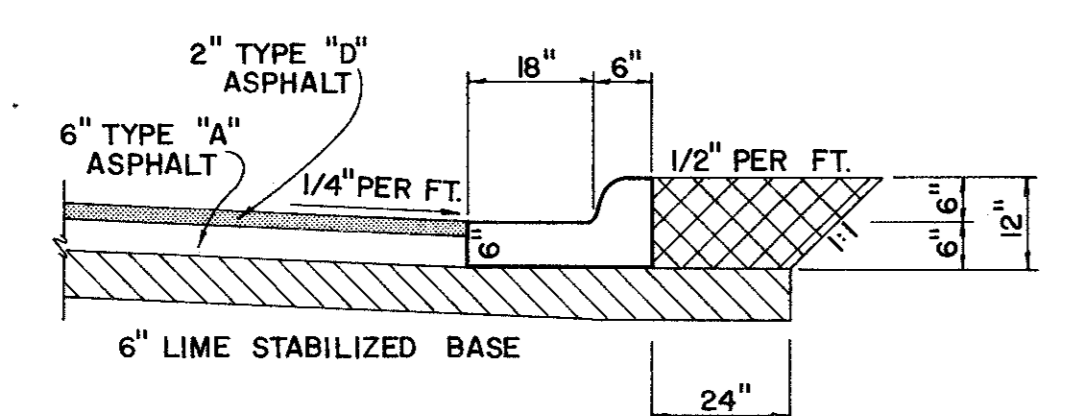


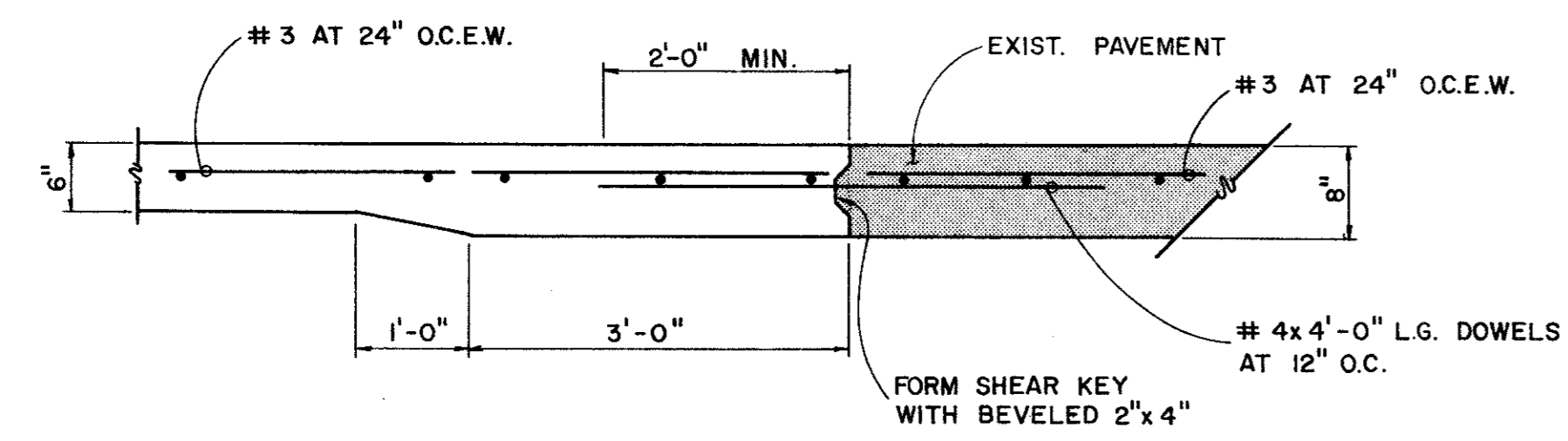
TYPICAL PAVING SECTION FOR QUORUM LOOP NORTH
 NOTE: CONCRETE SHALL BE 3,000 P.S.I. AT 28 DAYS. LIME SHALL BE SLURRY MIXED PRIOR TO APPLICATION REINFORING SHALL BE NO. 3 AT 24" O.C.E.W.



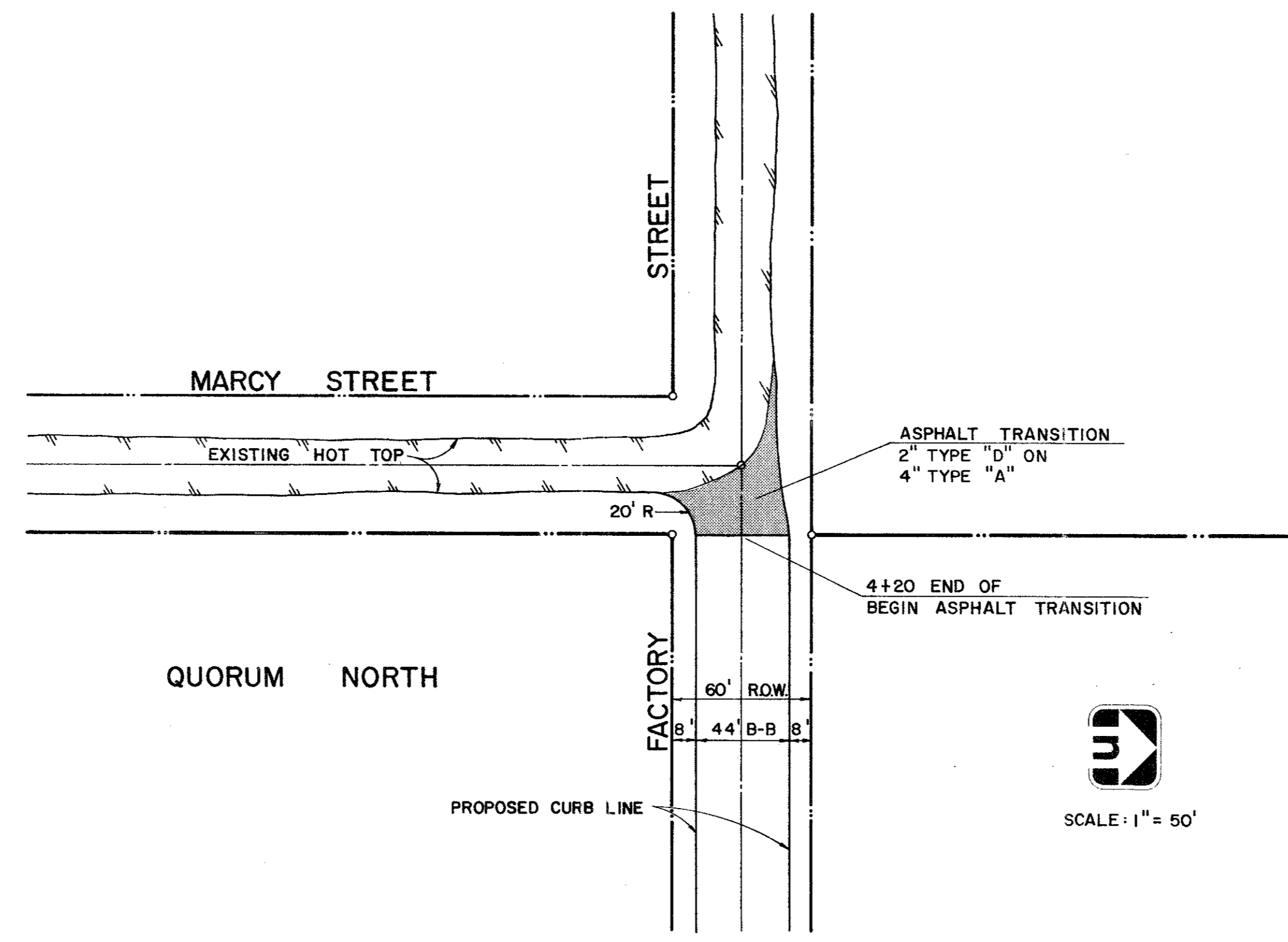
TYPICAL STREET SECTION FACTORY STREET (N.T.S.)



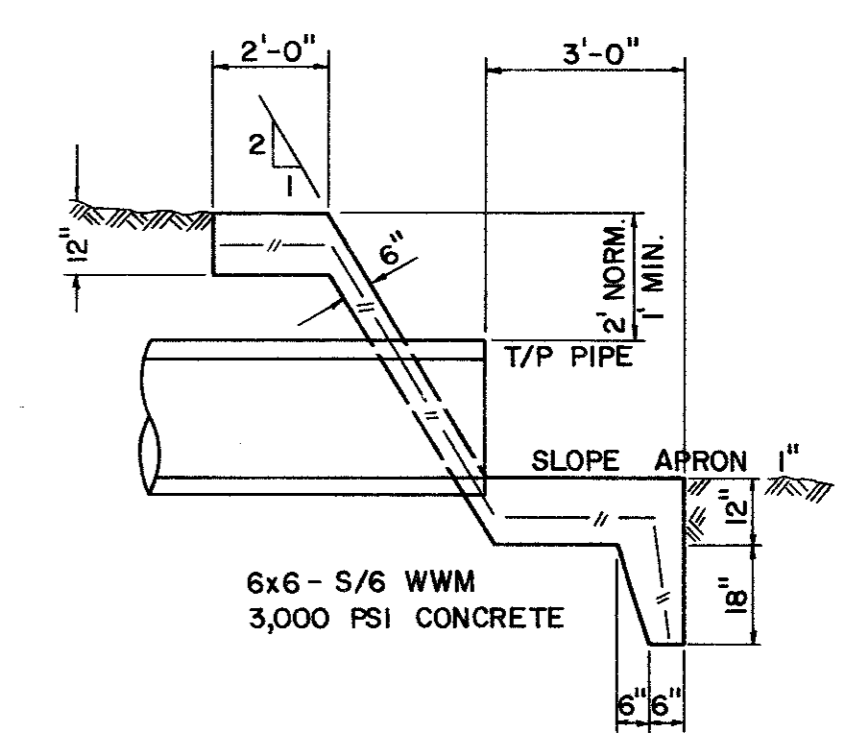
ALTERNATE ASPHALT PAVEMENT SECTION



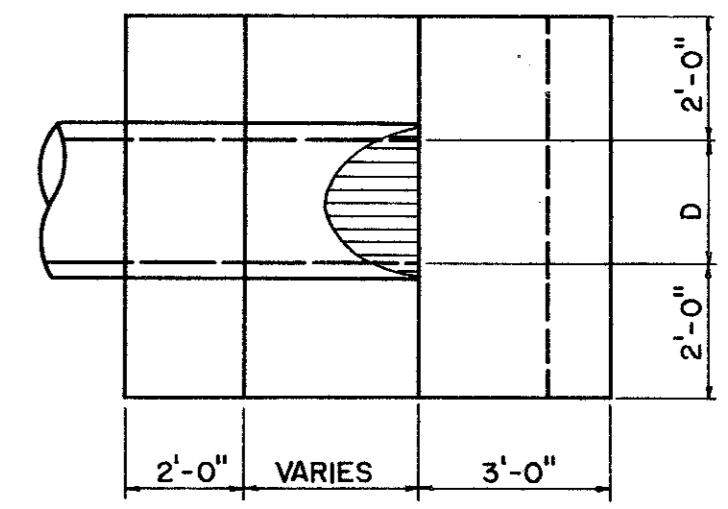
CONCRETE SECTION AT DALLAS PARKWAY TIE-INS



DETAIL OF ASPHALT TRANSITION FACTORY STREET AT MARCY STREET

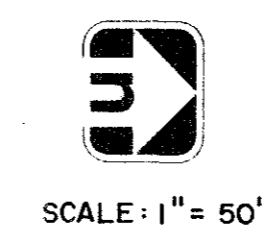


SECTION



PLAN

TYPE "G" HEADWALL



PAVING & DRAINAGE DETAILS

QUORUM NORTH
 CITY OF ADDISON, TEXAS

REVISED TO CONFORM TO CONSTRUCTION RECORDS:
 BY _____
 DATE _____

REVISED TO CONFORM TO CONSTRUCTION RECORDS:
 BY K.A.B.
 DATE 6-25-80

Graham Associates, Inc.
 CONSULTING ENGINEERS & PLANNERS

Drawn By: G.A.I. Sheet 13 Of 19

Date: 9-79
 File: 314-1441