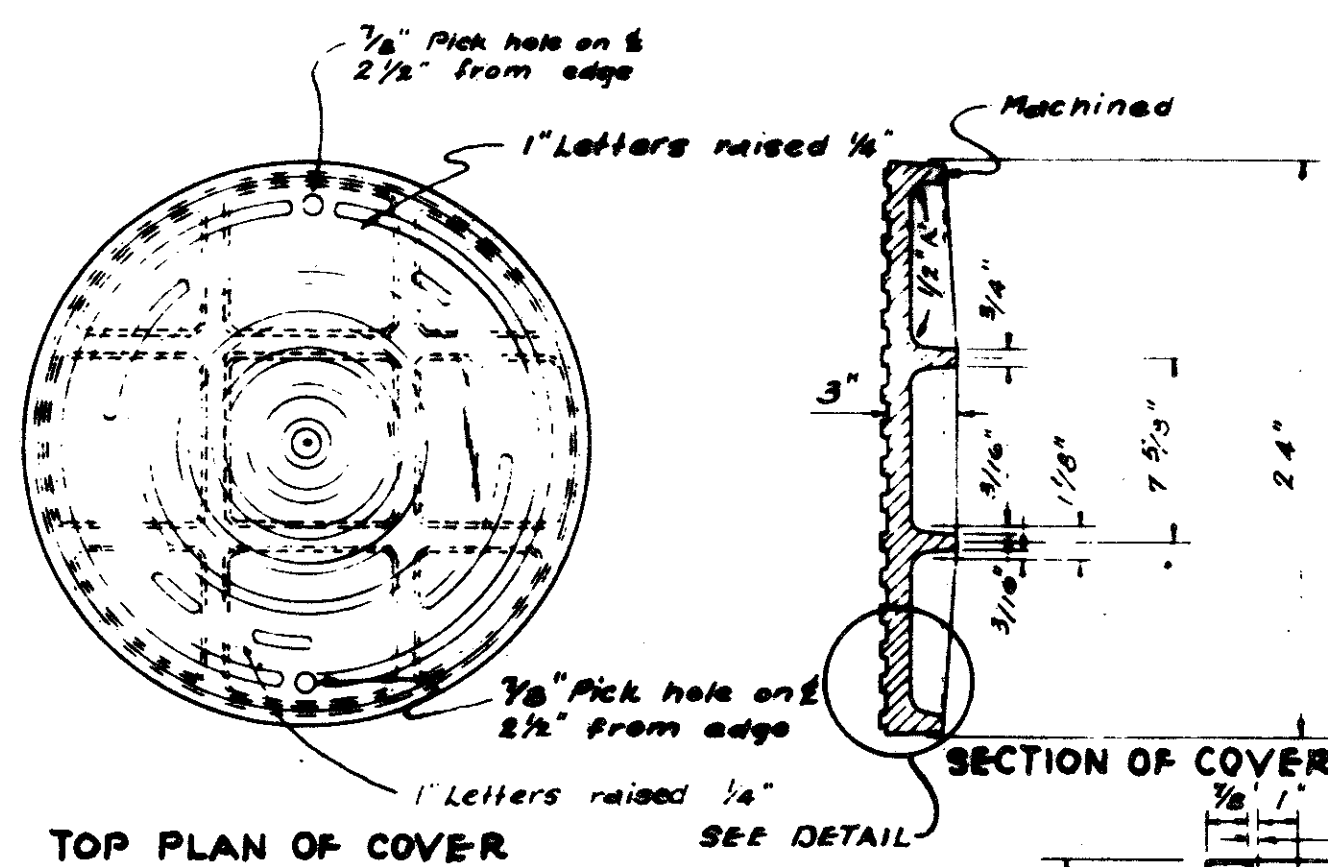


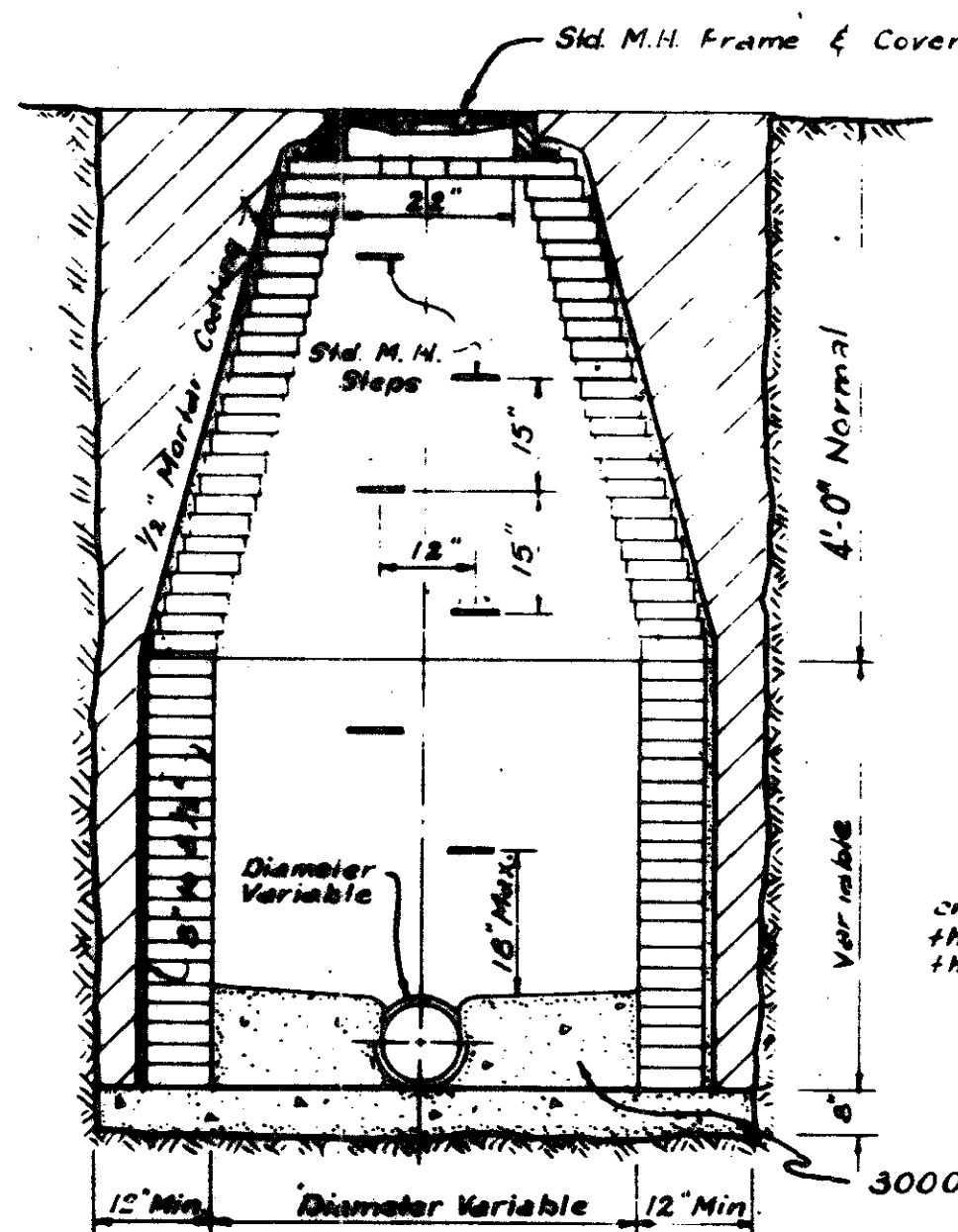
STANDARD WATER TIGHT - SOLID SEAL MANHOLE FRAME AND COVER
TO BE USED ON STANDARD MANHOLE

As Manufactured by DALLAS FOUNDRY
 NO 975-2 or approved equal.
 Wgt 410 pounds.



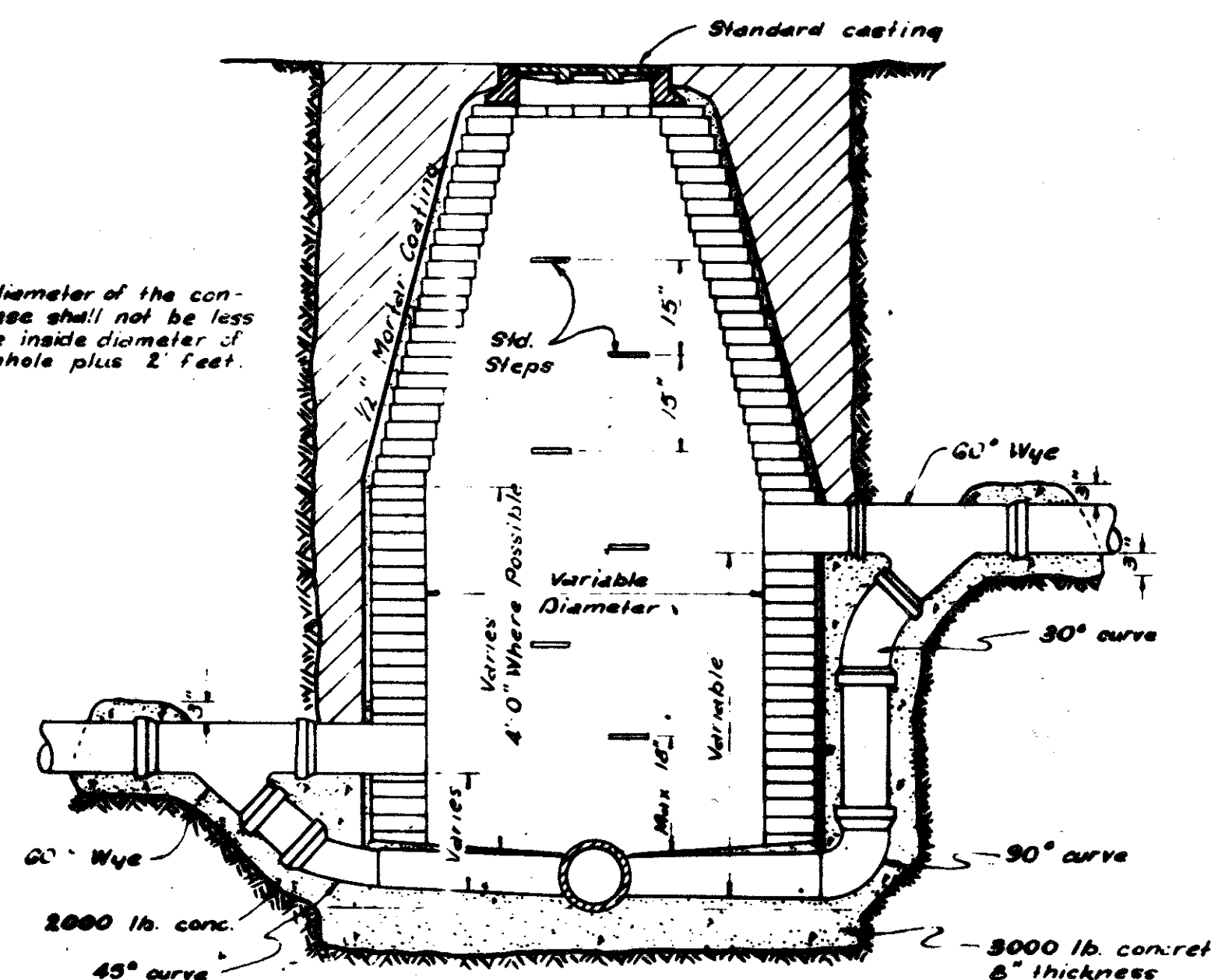
TOP PLAN OF COVER

SECTION OF COVER



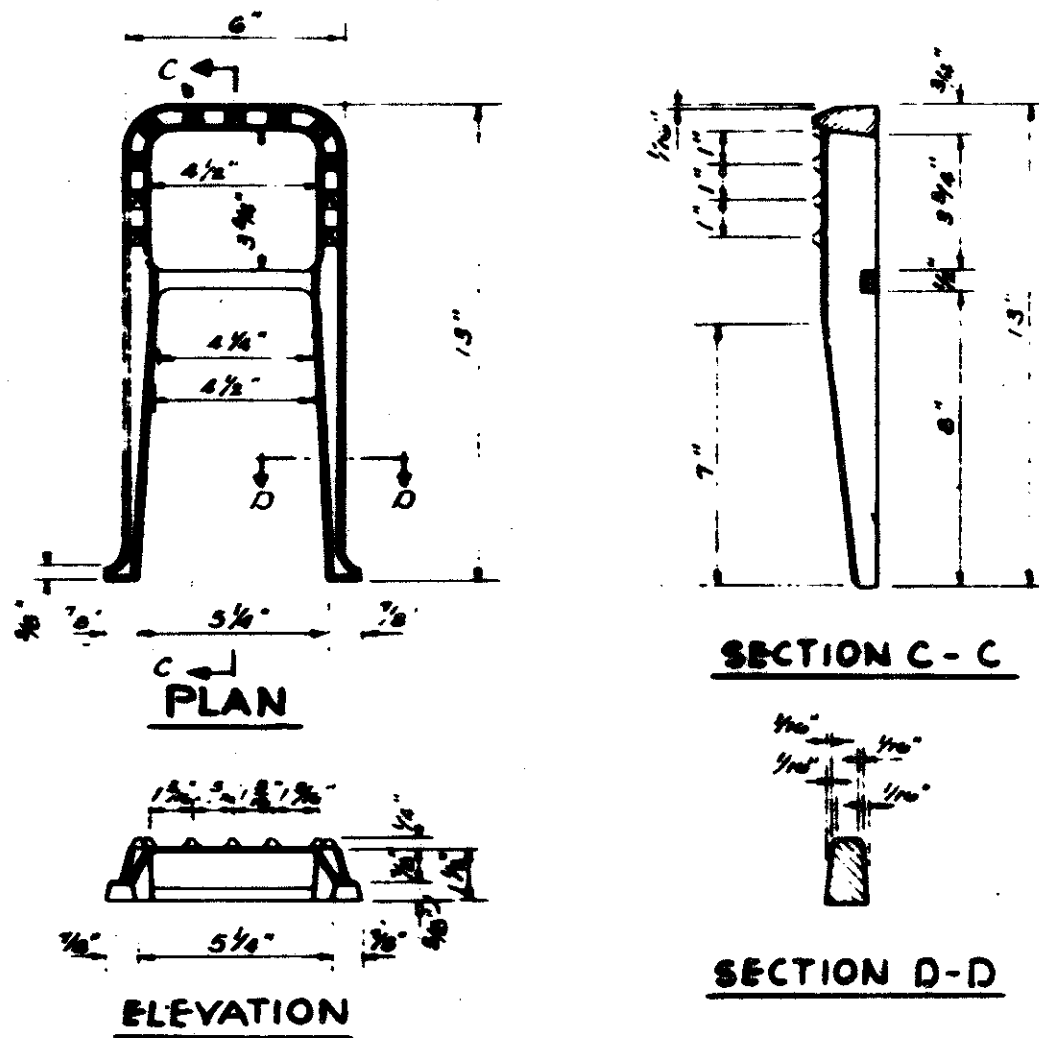
STANDARD MANHOLE

The diameter of the concrete base shall be not less than the inside diameter of the manhole plus 2 feet.



STANDARD DROP CONNECTION MANHOLE

The diameter of the concrete base shall not be less than the inside diameter of the manhole plus 2 feet.



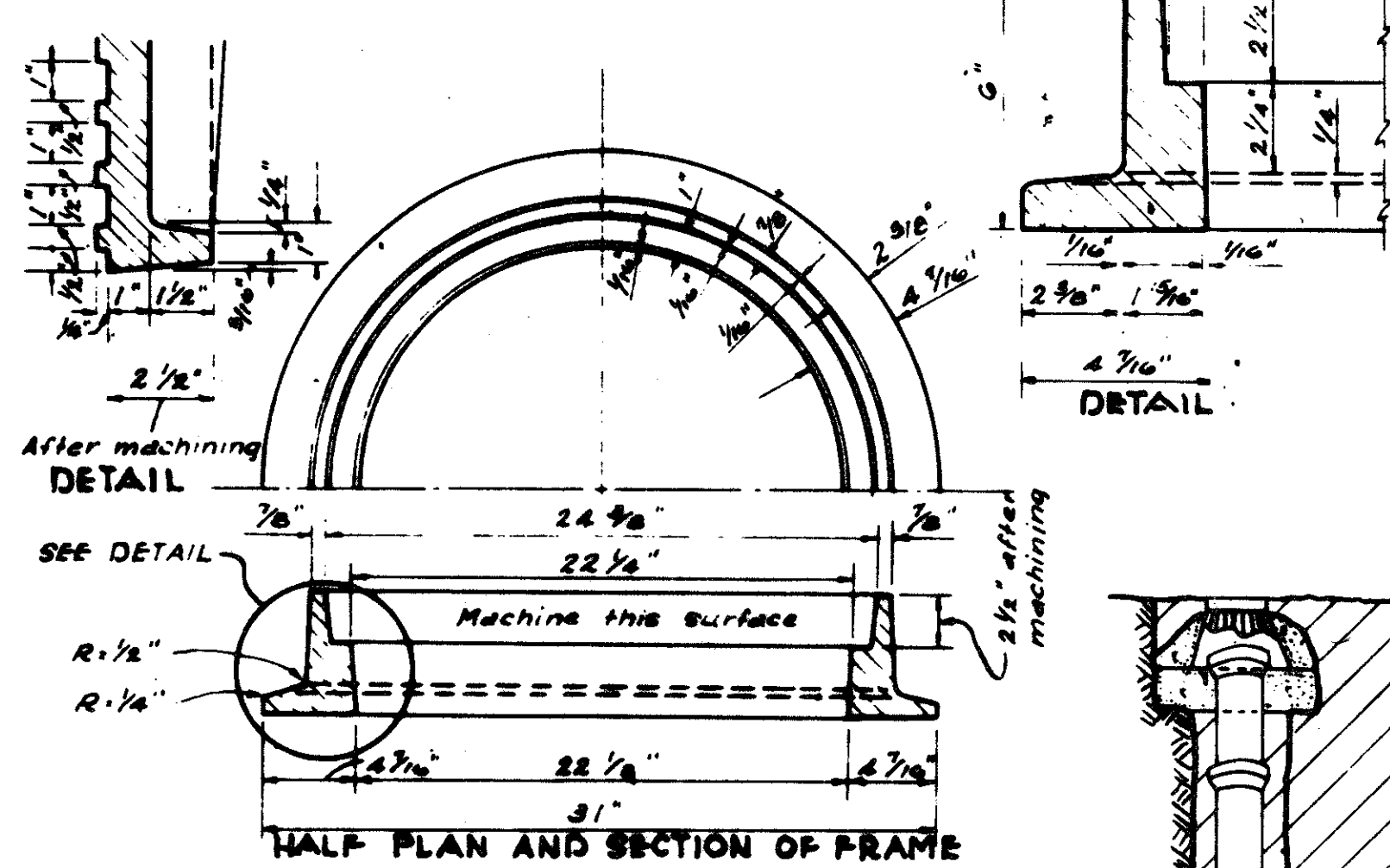
PLAN

SECTION C-C

ELEVATION

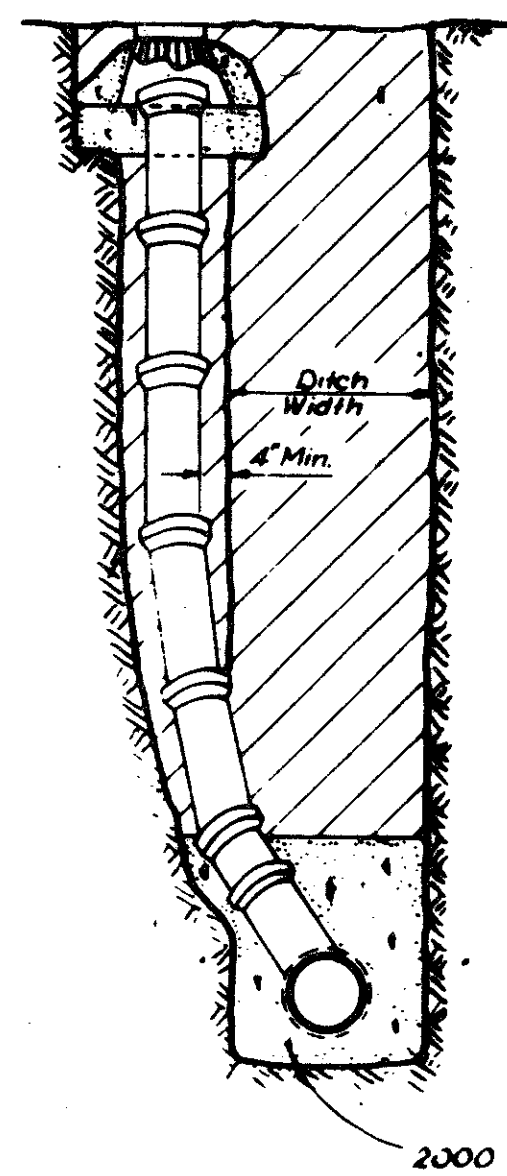
SECTION D-D

STANDARD C.I. MANHOLE STEP
 STORM SEWER & SANITARY SEWER

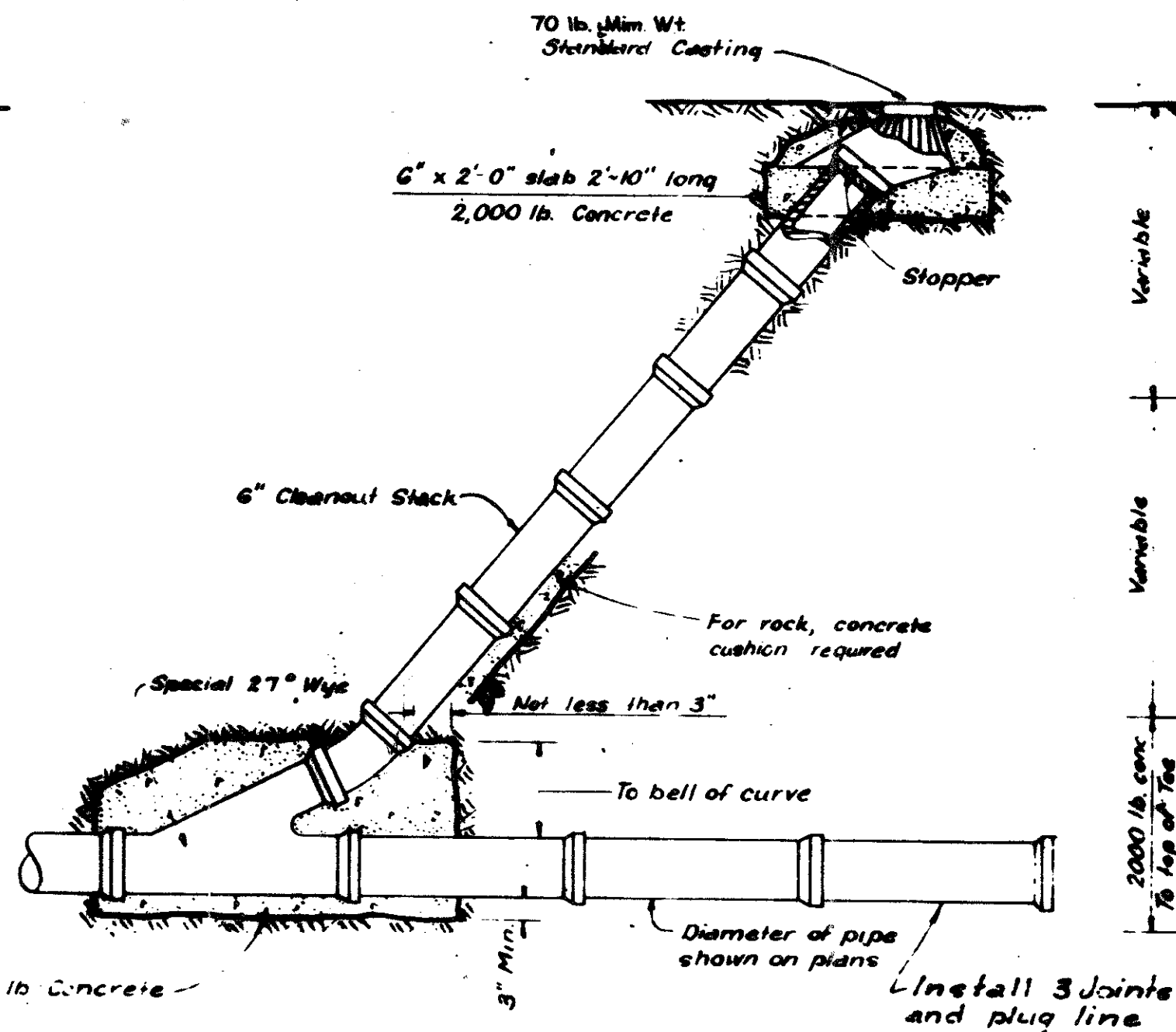


STANDARD C.I. MANHOLE FRAME & COVER

As Manufactured by DALLAS FOUNDRY NO 700-B or approved equal. Wgt 400 pounds.



STANDARD CLEANOUT



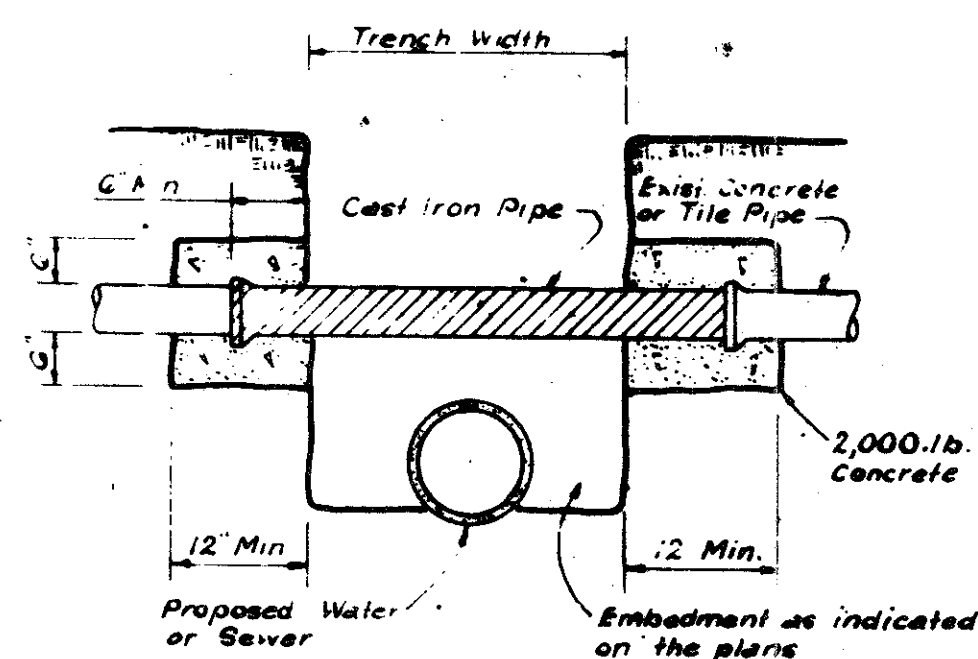
END ELEVATION

SIDE ELEVATION

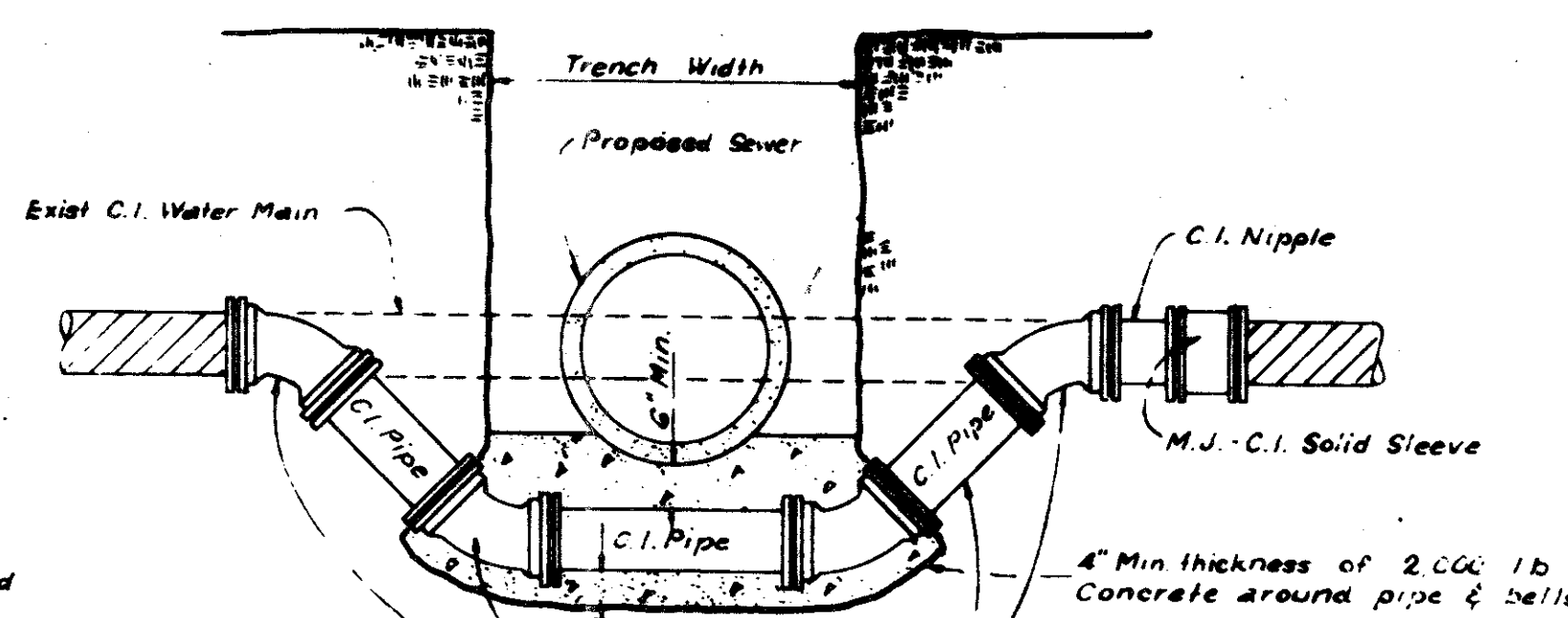
DROP CONNECTION

NOTE

Pipe Size	W
6"	5 1/2"
8"	8 1/2"
10"	10 3/4"
12"	12 7/8"



DETAIL OF UTILITY SUPPORT



DETAIL FOR WATER MAIN LOWERING

REVISED TO CONFORM TO CONSTRUCTION RECORDS:

BY _____

DATE _____

REVISED MARCH, 1978 L.E.B.
 REVISED MARCH, 1975 J.H.D.

QUORUM NORTH

SANITARY SEWER DETAILS

Graham Associates, Inc.
 CONSULTING ENGINEERS & PLANNERS

DESIGN	DRAWN	CHECKED	DATE	SCALE	SHEET NO
REV	RLD	D.P.	9-7-79	NONE	15 OF 19