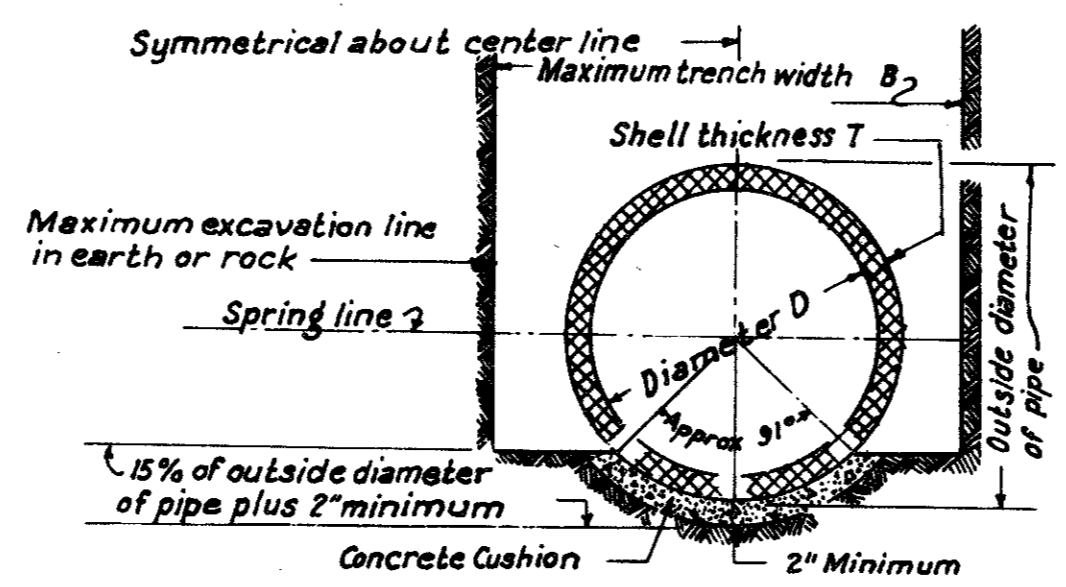


TRENCH BEDDING IN EARTH FOR PRECAST PIPE WITHOUT CONCRETE CRADLE OR CUSHION

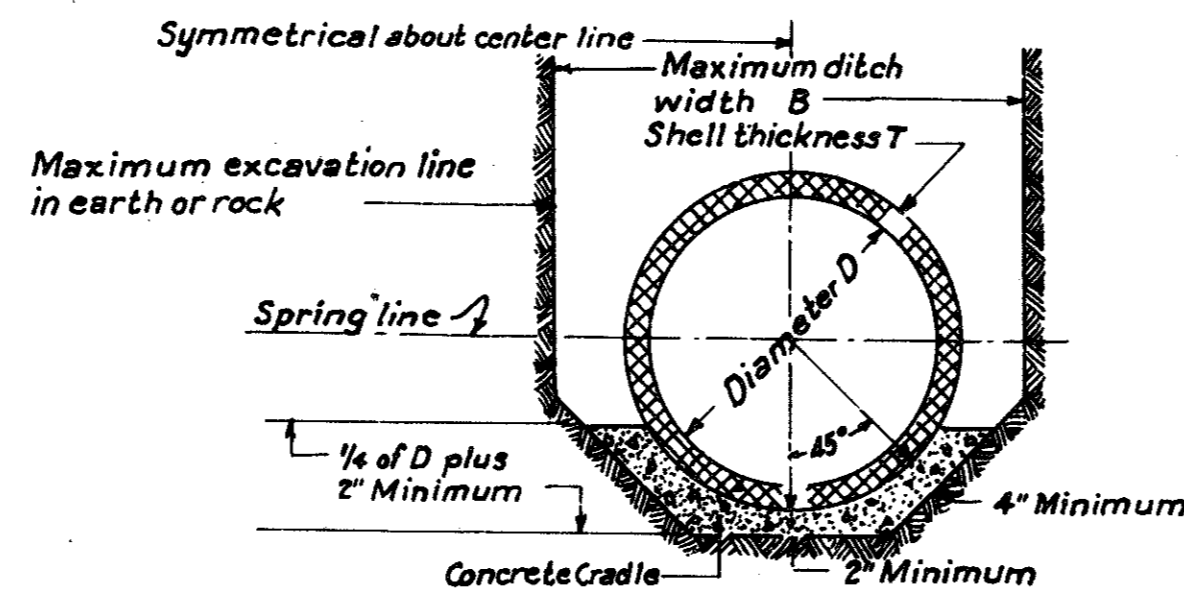
This method of trench bedding and backfill will be required in the construction of all precast pipe sewers where concrete cradle and cushion is not used.

BACKFILL FOR ALL PRECAST PIPE WITH TRENCH BEDDING, CONCRETE CRADLE, AND CUSHION

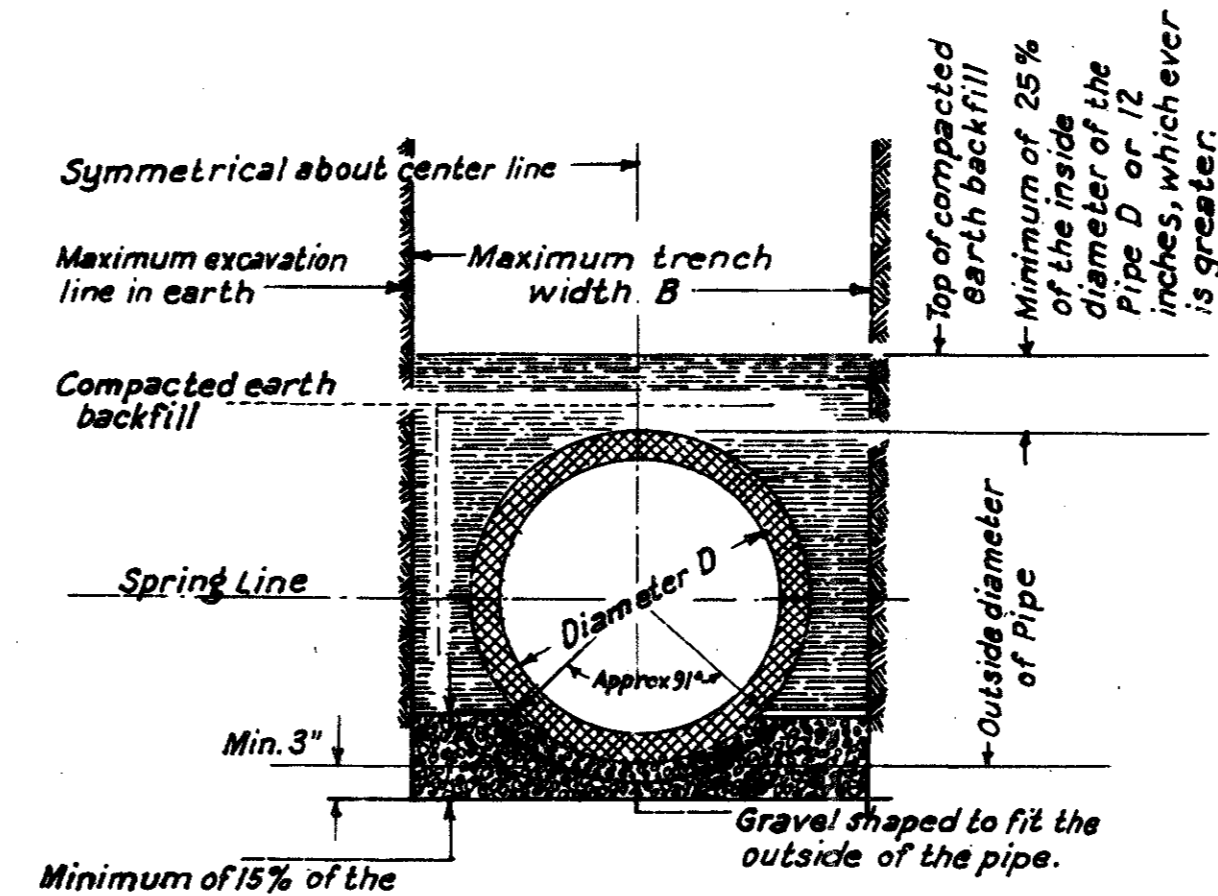
This method of backfill will be required in the construction of all precast pipe sewers with concrete cradle and concrete cushion.



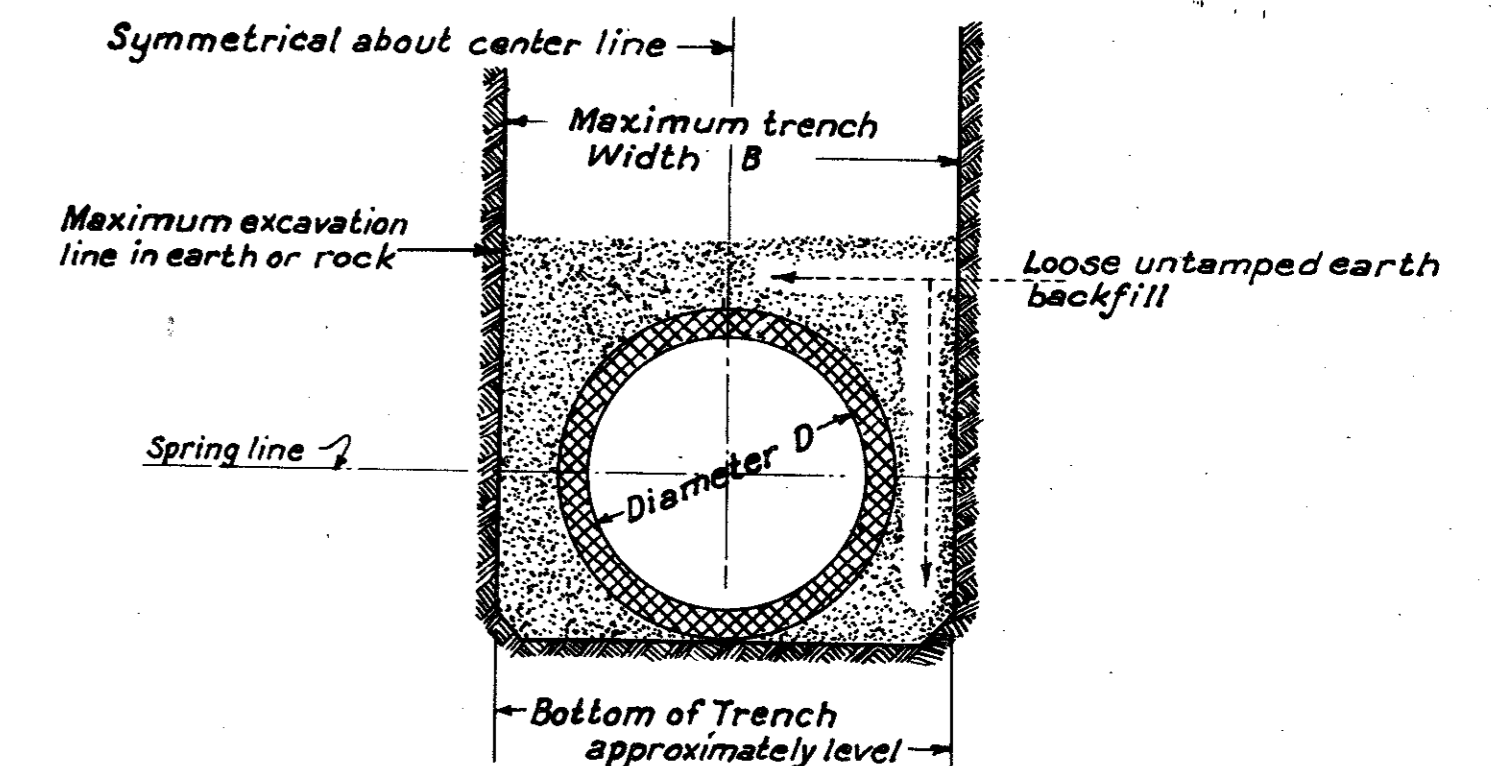
CONCRETE CUSHION BEDDING



CONCRETE CRADLE BEDDING



GRAVEL BEDDING

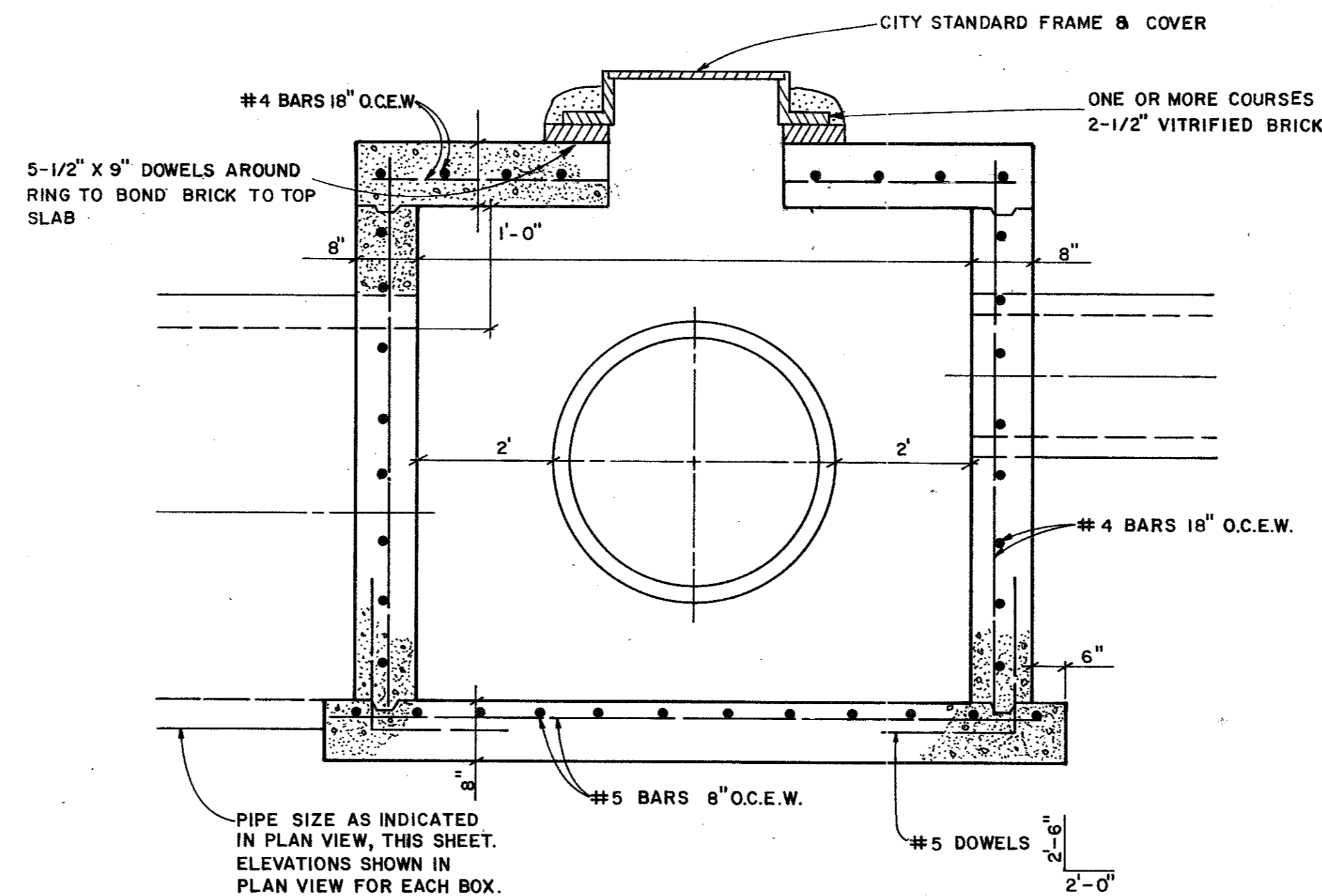
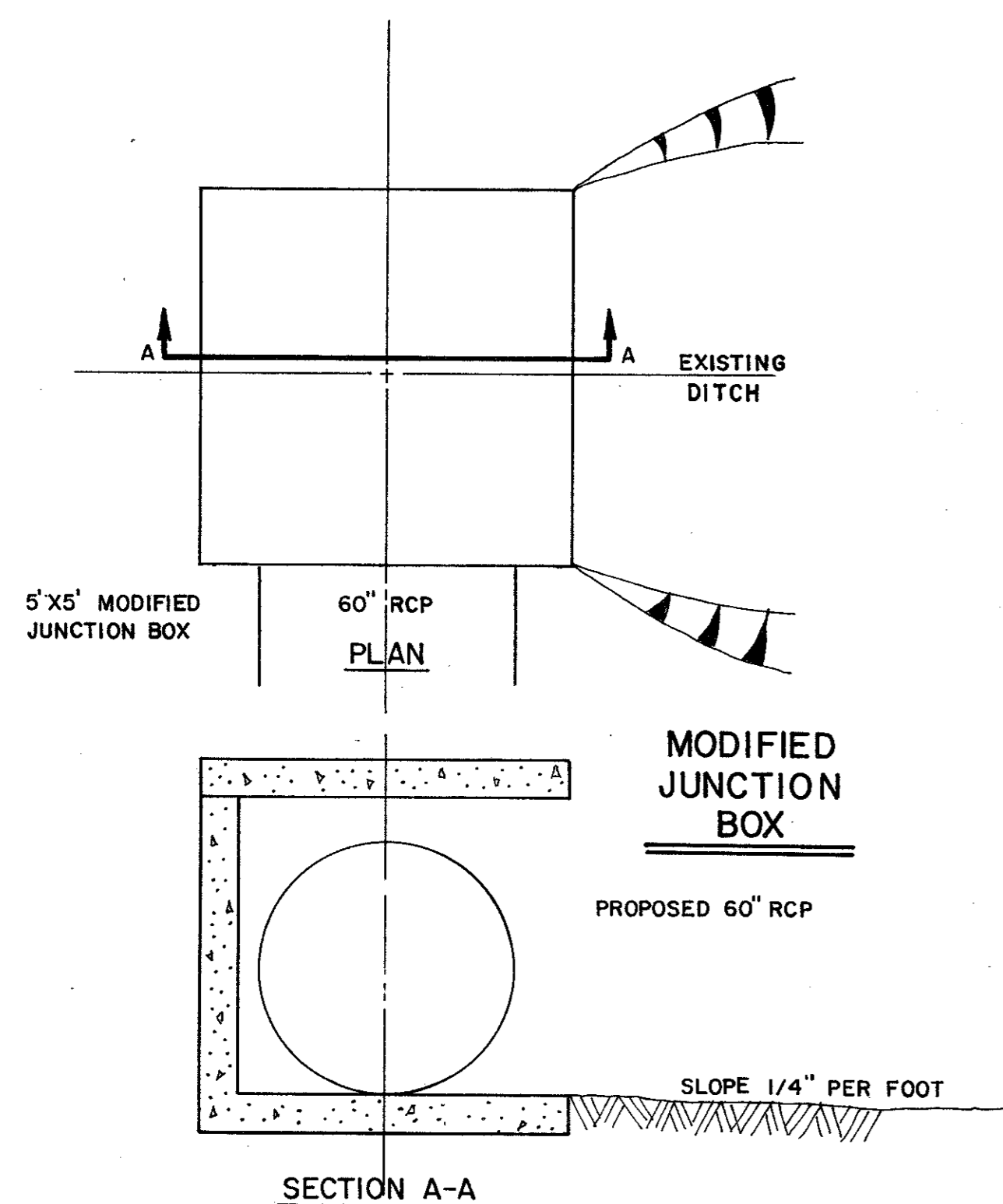


UNACCEPTABLE TRENCH BEDDING AND BACKFILL FOR ALL PRECAST PIPE SEWERS

This method of trench bedding and backfill will not be permitted in the construction of precast pipe sewers.

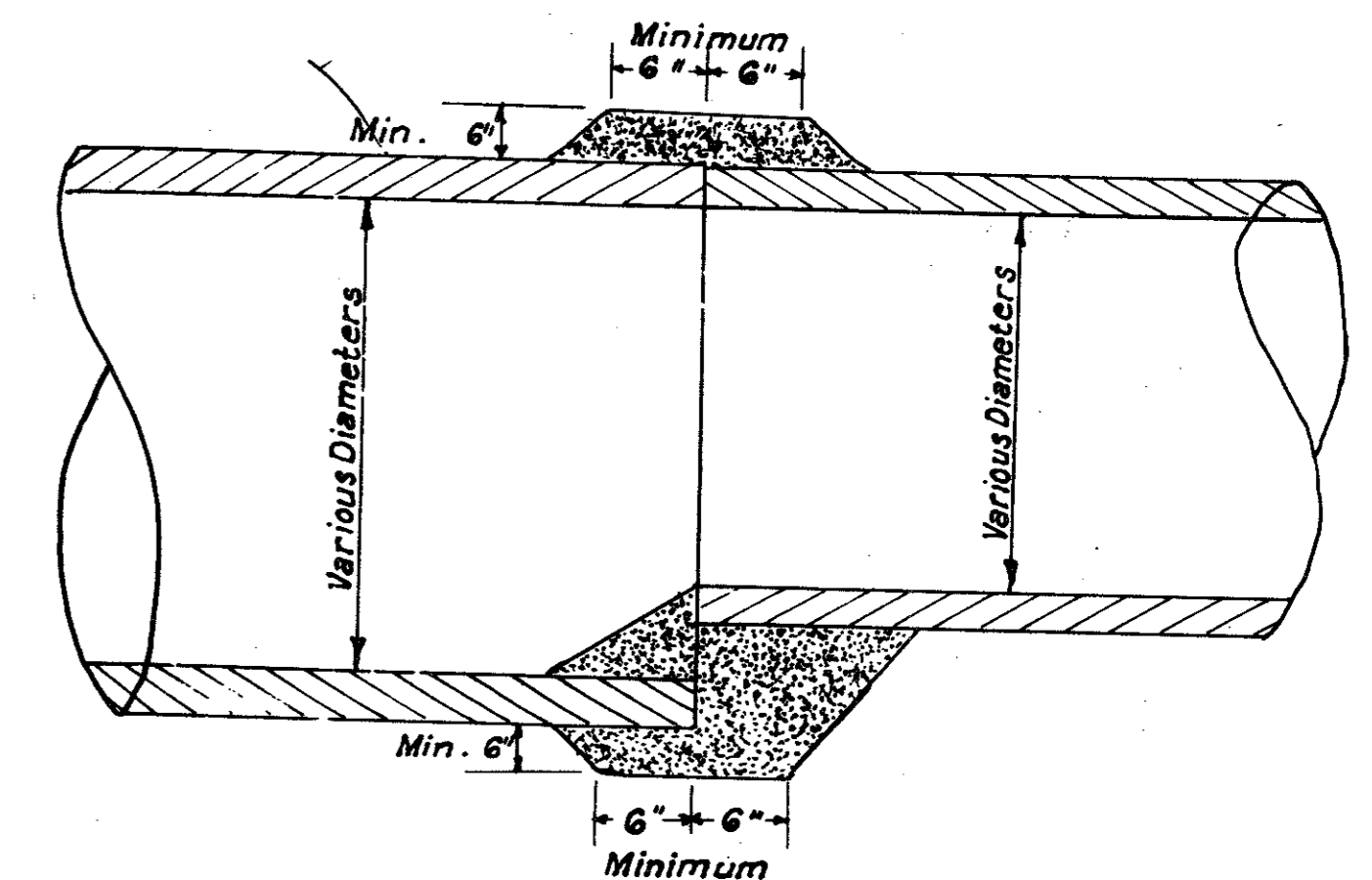
NOTES

- 1- Concrete for cushion or for cradle shall consist of 1 part cement and 12 parts aggregate. Any unauthorized excess excavation for cushion or cradle shall be filled with concrete at the contractors expense. No pipe shall be laid in a rock trench without using concrete cushion unless another type of bedding is approved by the Engineer.
- 2 The maximum trench width (B) shall be the outside diameter of the pipe used plus 16 inches for pipe with 33 inch diameter or smaller. The maximum trench width (B) shall be the outside diameter of the pipe plus 24 inches for pipes larger than 33 inch inside diameter.
- 3 The City of Dallas General Specifications shall govern the quality, placement, measurement and payment of reinforced concrete pipe conforming to designation C76 of the current A.S.T.M. Specifications.



TYPICAL SECTION THRU JUNCTION BOXES

NTS



DETAIL OF CONCRETE COLLAR FOR END TO END PIPE EXTENSIONS

QUORUM NORTH

REVISED 2 22 80

STANDARD DETAILS							
CONCRETE CRADLE AND CUSHION AND TRENCH BEDDING							
DEPT. OF PUBLIC WORKS							
CITY OF ADDISON, TEXAS							
DESIGN	DRAWN	DATE	SCALE	NOTES	FILE	SHEET NO.	
W.C.C.	D.T.C.	9-7-79	None	None	424Q	18 of 19	

REVISED TO CONFORM TO CONSTRUCTION RECORDS:
BY _____
DATE _____