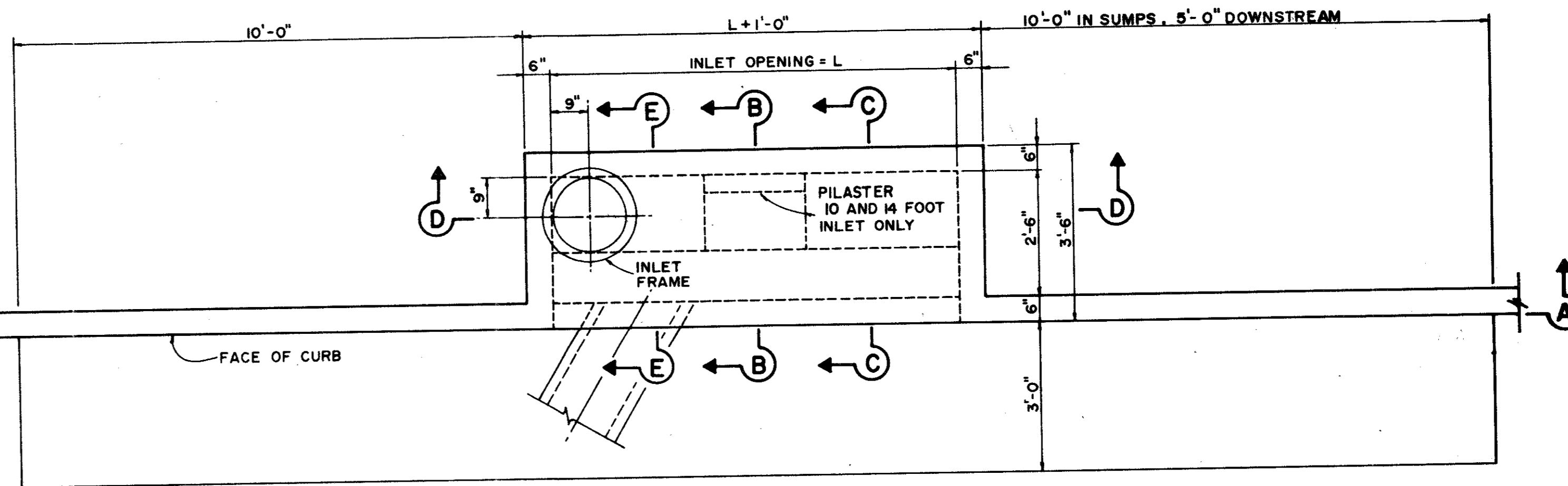
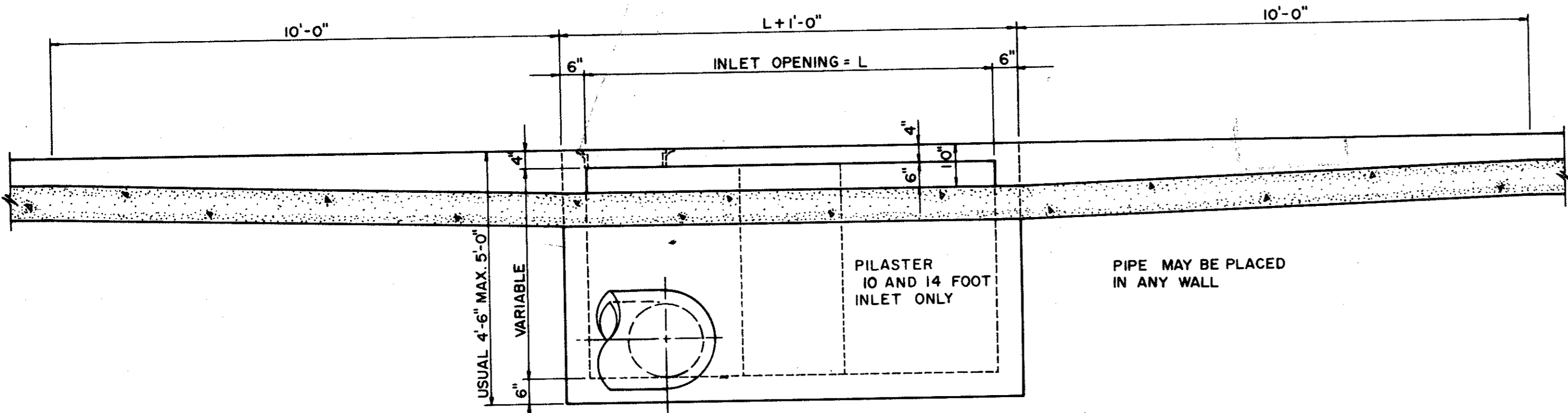


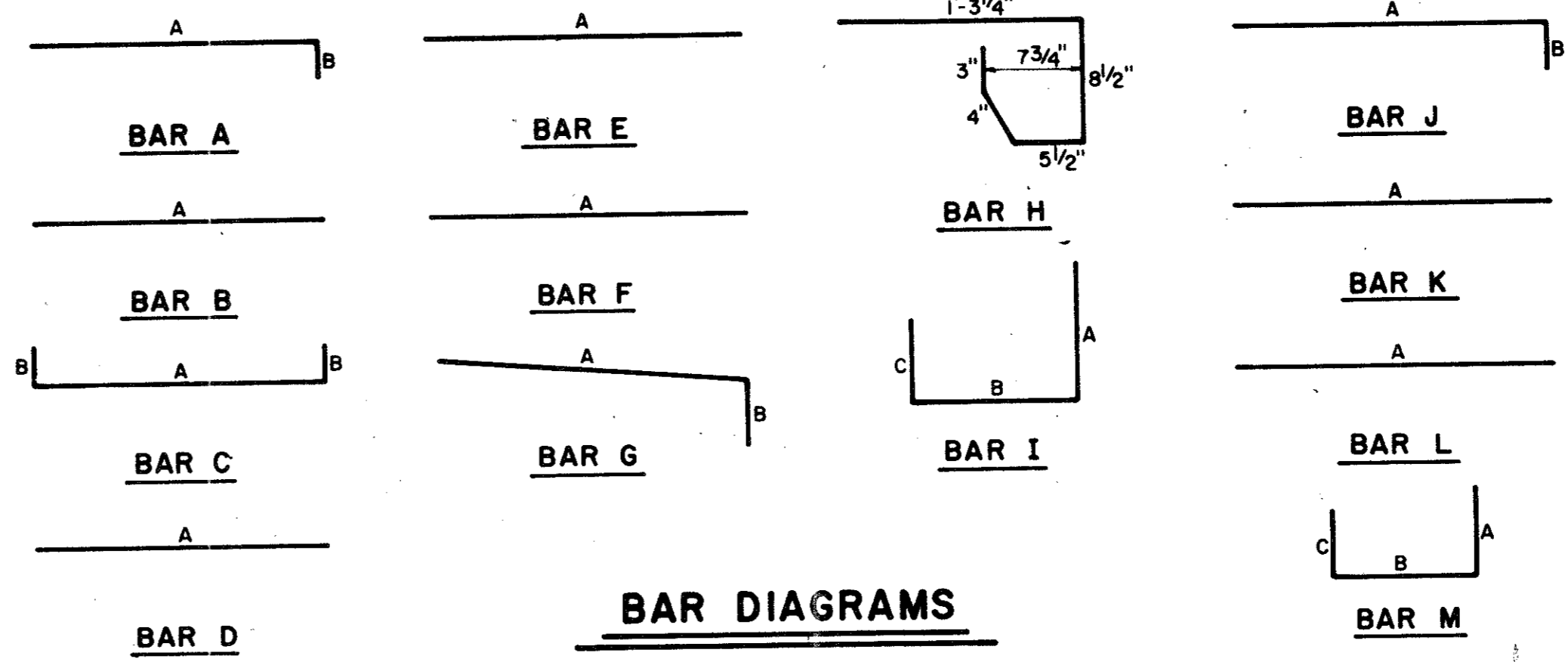
PLAN - RECESSED INLET



PLAN - STANDARD INLET



SECTION A-A-RECESSED AND STANDARD INLETS
5, 10, AND 14 FOOT INLETS



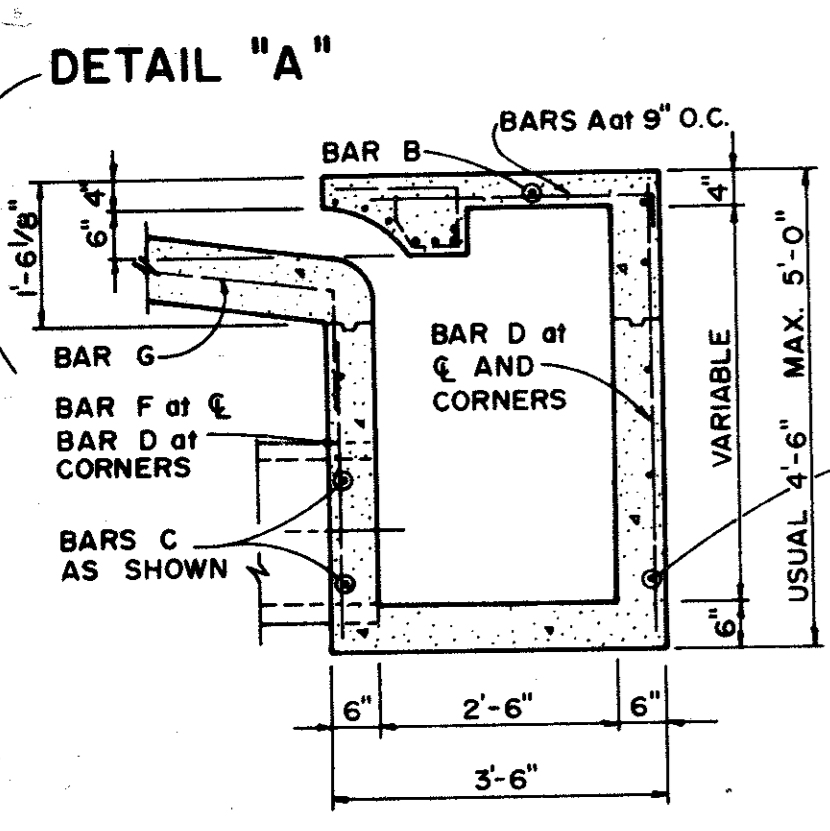
BAR DIAGRAMS

REINFORCING STEEL SCHEDULE

DIMENSIONS SHOWN ARE FOR MAXIMUM SIZE INLETS

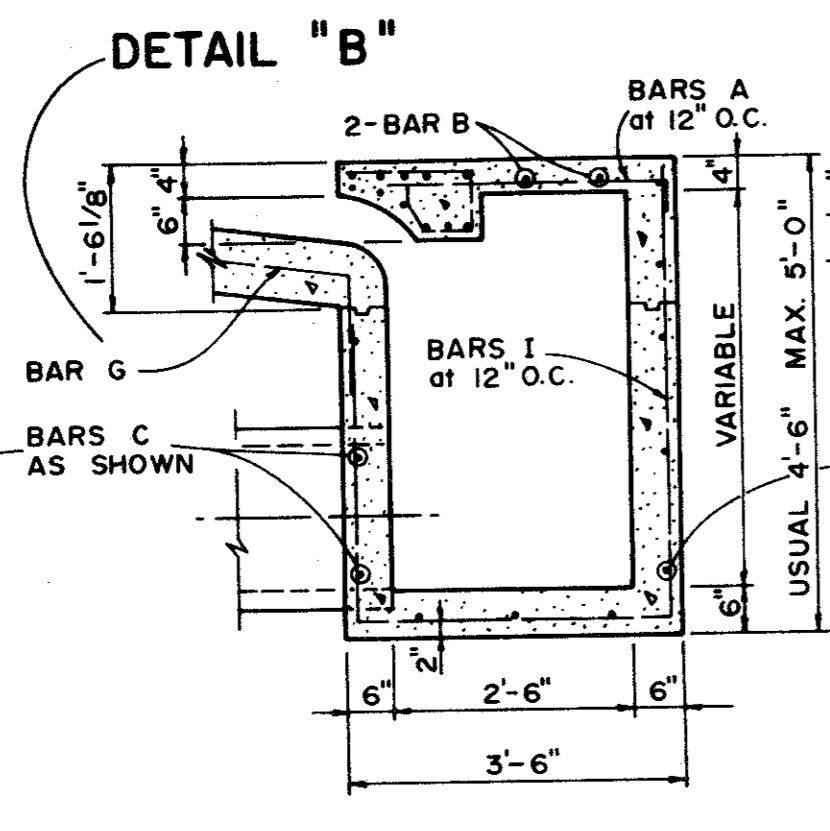
INLET LENGTH	BAR TYPE	BAR DIA. (1/8 IN.)	NO. REQ'D	BAR DIMENSIONS		
				A	B	C
5	A	3	9	3'-2"	0'-3"	-
	B	3	1	3'-10"	-	-
	C	4	15	5'-8"	0'-6"	-
	D	4	5	4'-8"	-	-
	F	4	1	3'-2"	-	-
10	G	3	5	2'-0"	1'-3"	-
	H	3	3	*	*	*
	A	3	10	3'-2"	-	-
	B	3	2	8'-10"	-	-
	C	4	16	10'-8"	0'-6"	-
	D	4	4	4'-8"	-	-
	E	5	6	10'-8"	-	-
	G	3	5	2'-0"	1'-3"	-
	H	3	15	*	*	*
	I	4	8	4'-8"	3'-2"	3'-2"
14	J	5	9	3'-2"	1'-3"	-
	K	4	5	2'-3"	-	-
	L	4	5	4'-3"	-	-
	M	5	9	4'-3"	3'-2"	3'-9"
	A	3	14	3'-2"	0'-3"	-
	B	3	2	10'-10"	-	-
	C	4	16	14'-8"	0'-6"	-
	D	4	4	4'-8"	-	-
	E	5	6	14'-8"	-	-
	G	3	5	2'-0"	1'-3"	-

* SEE D AGRAM FOR DIMENSIONS



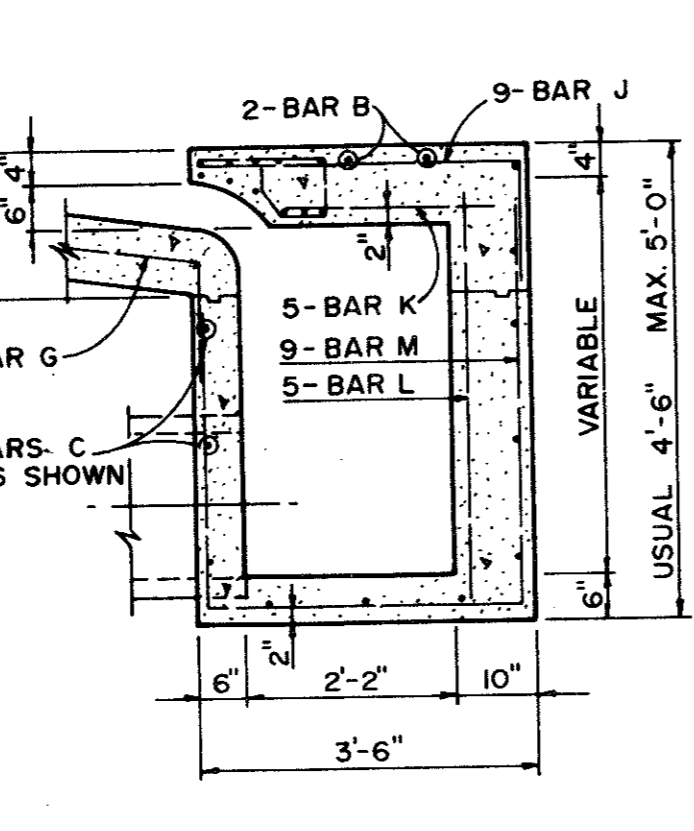
SECTION E-E

5 FOOT INLET

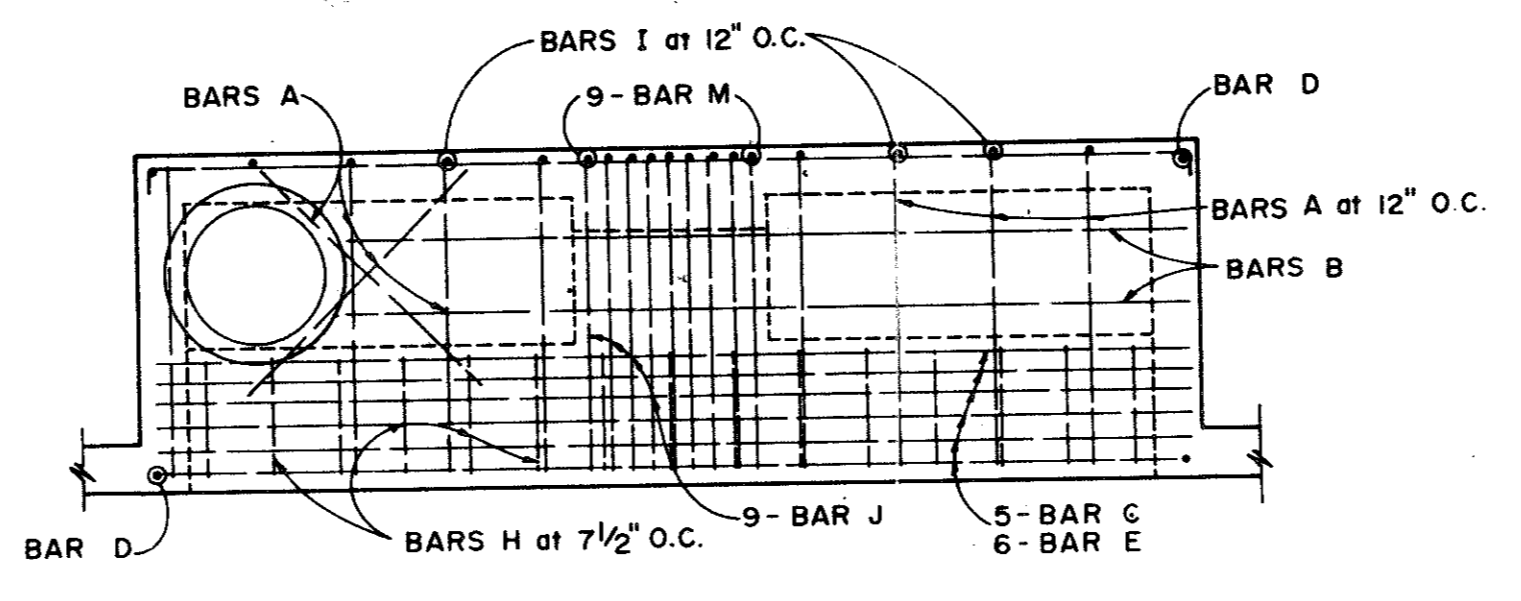


SECTION C-C

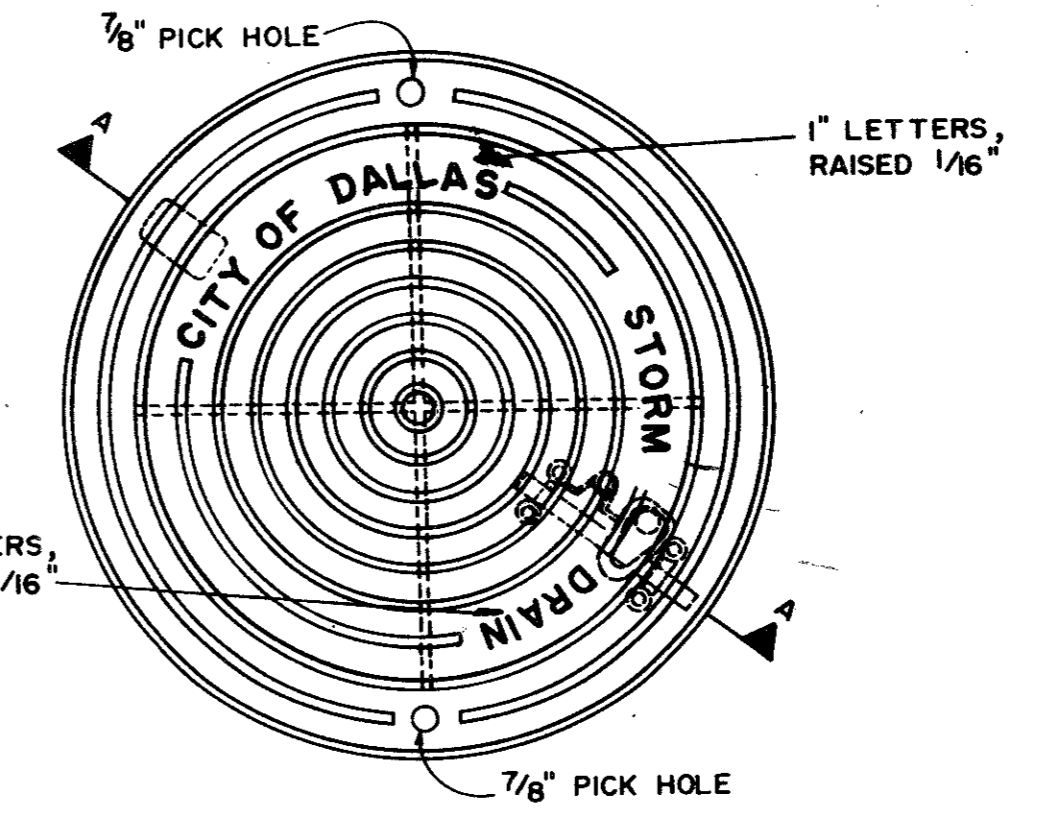
10 AND 14 FOOT INLETS



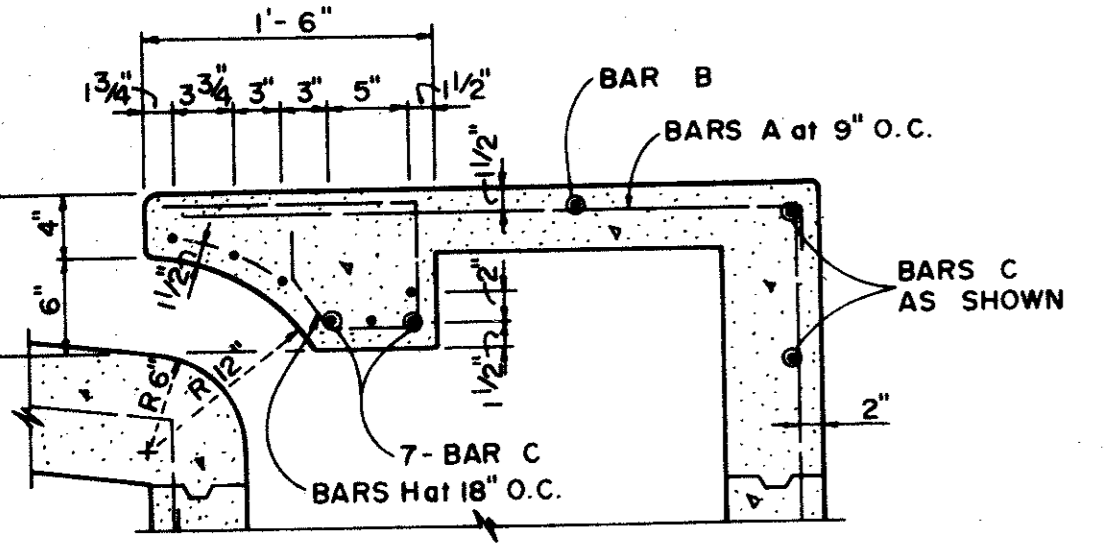
SECTION B-B



PLAN

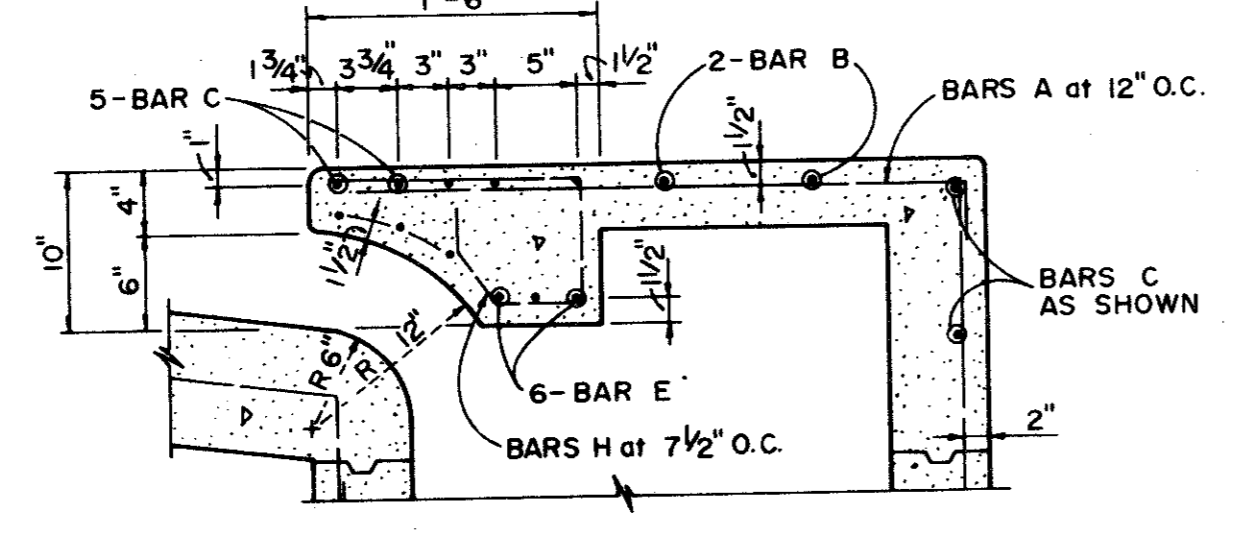


PLAN OF FRAME



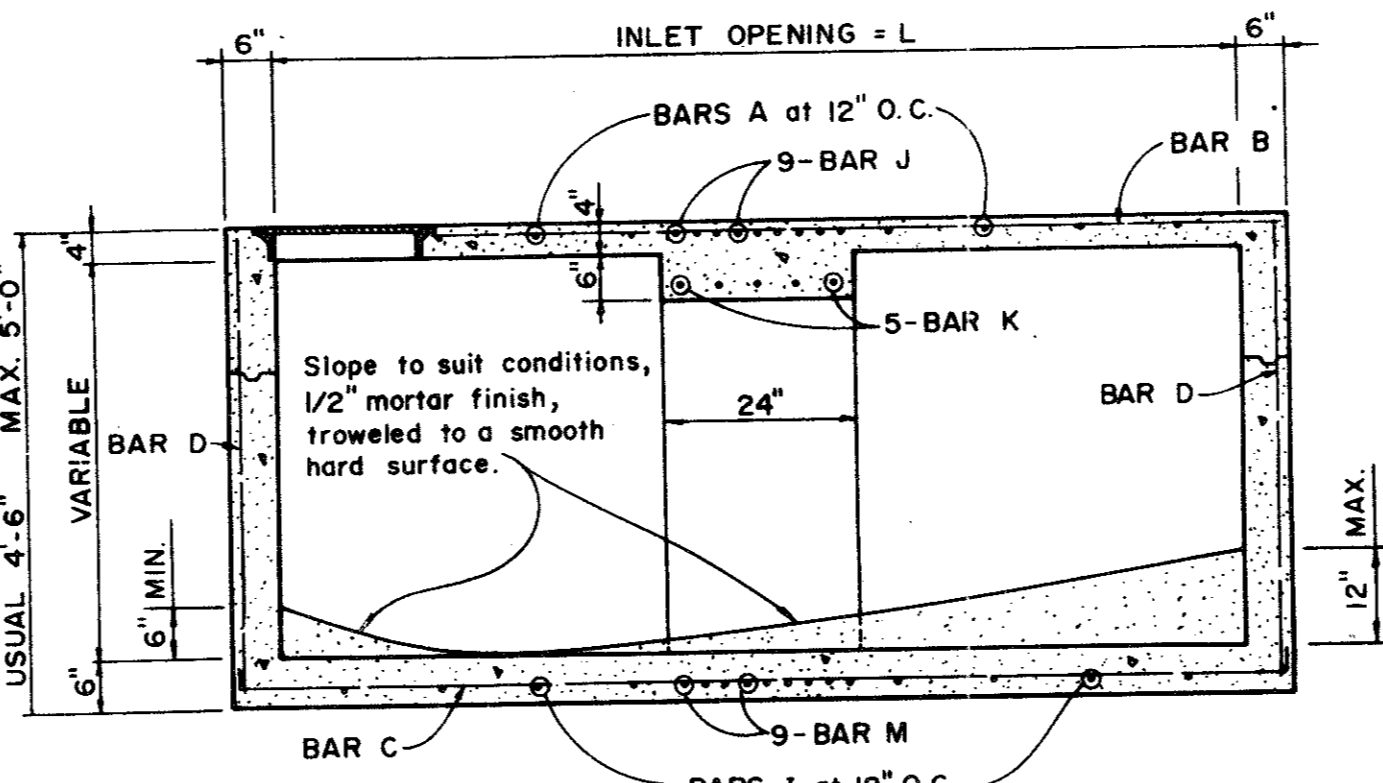
DETAIL "A"

5 FOOT INLET

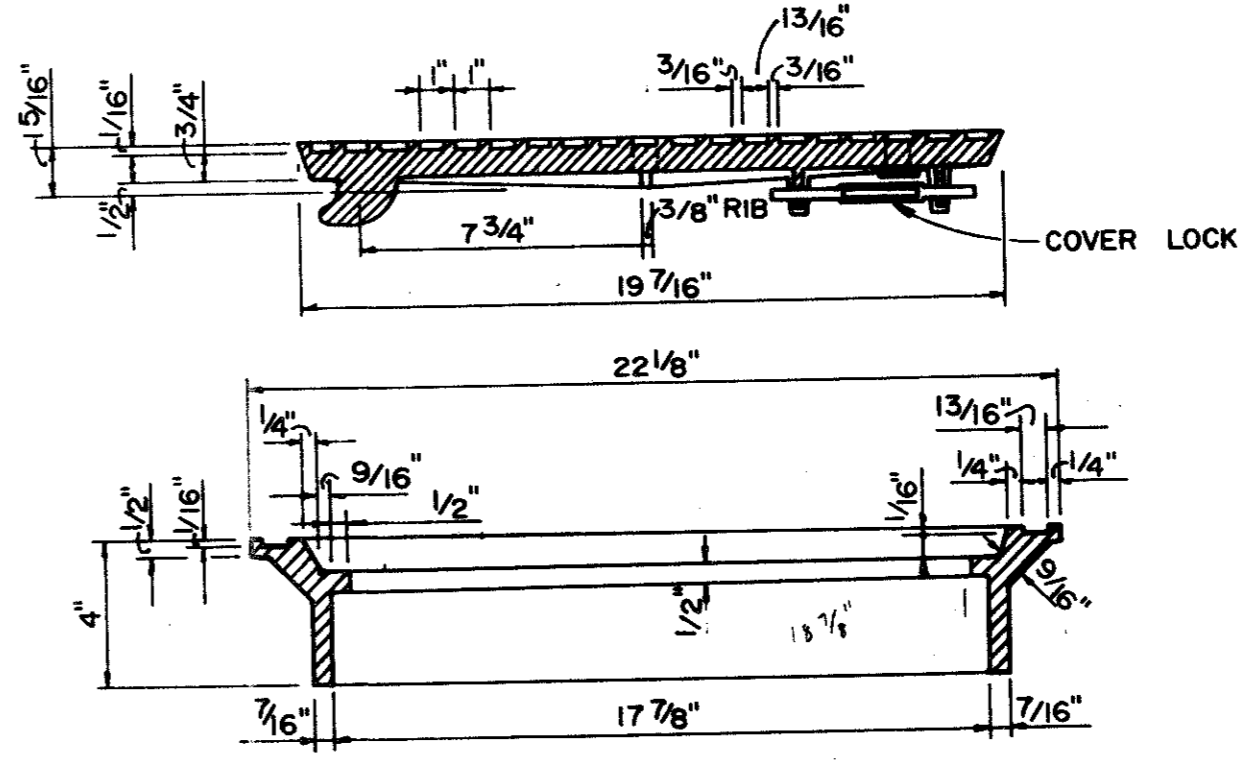


DETAIL "B"

10 AND 14 FOOT INLETS



SECTION D-D



SECTION OF FRAME AND COVER

INLET FRAME AND COVER

REVISED TO CONFORM TO CONSTRUCTION RECORDS:
BY _____
DATE _____

QUORUM NORTH

STANDARD CONSTRUCTION DETAILS					
STANDARD (TYPE I) AND RECESSED (TYPE II) INLETS					
DEPARTMENT OF PUBLIC WORKS					
CITY OF ADDISON, TEXAS					
DESIGN	DRAWN	DATE	SCALE	NOTES	FILE SHEET NO.
WEP		9-7-79	NONE		424 Q 19 of 19