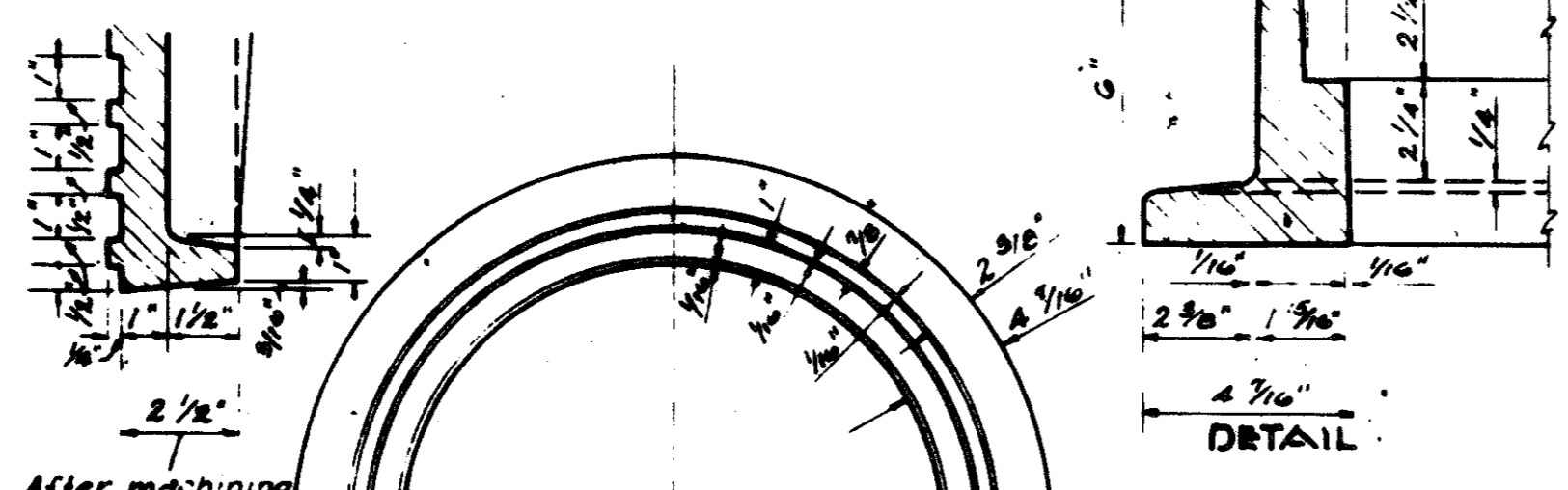
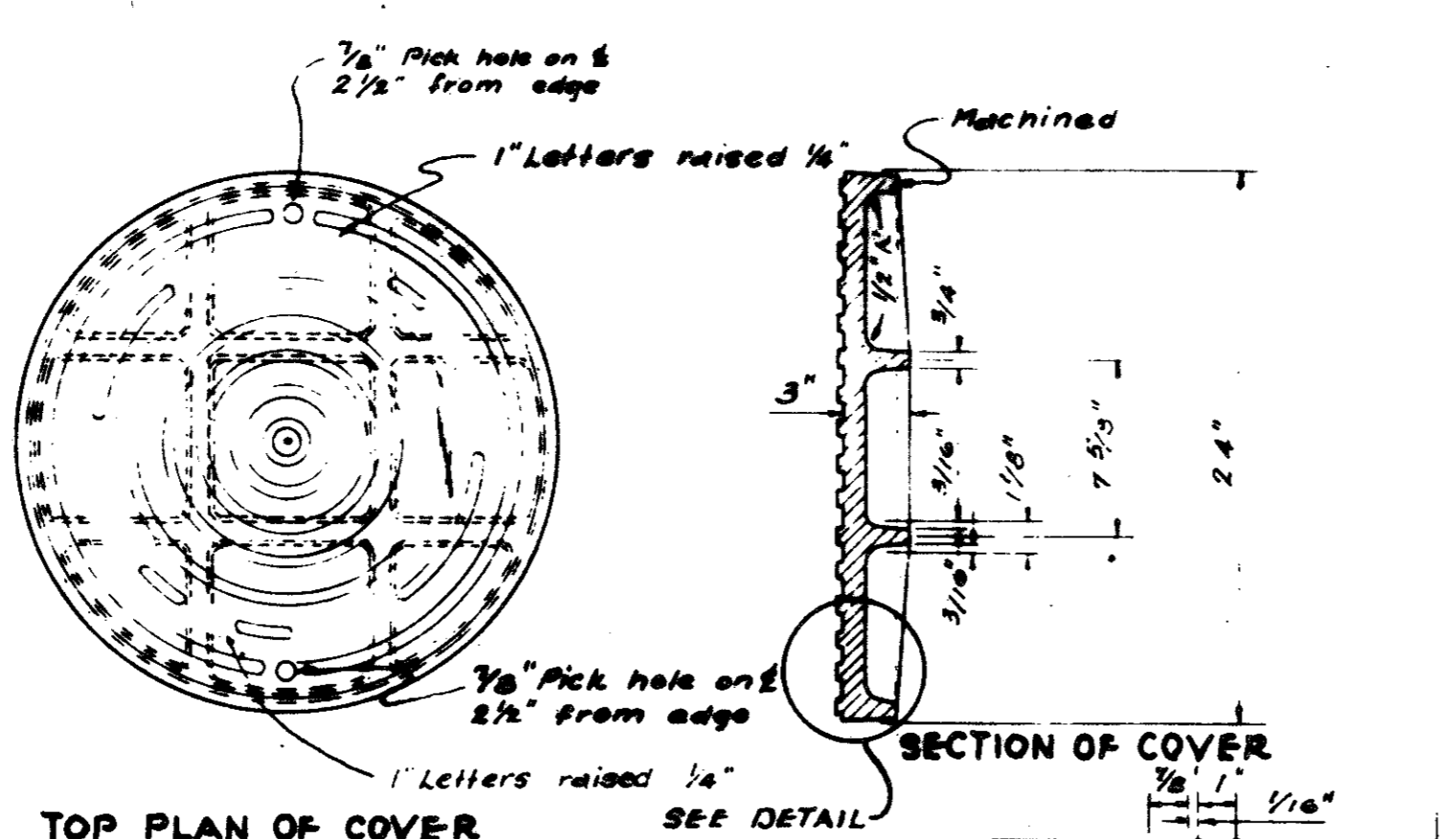
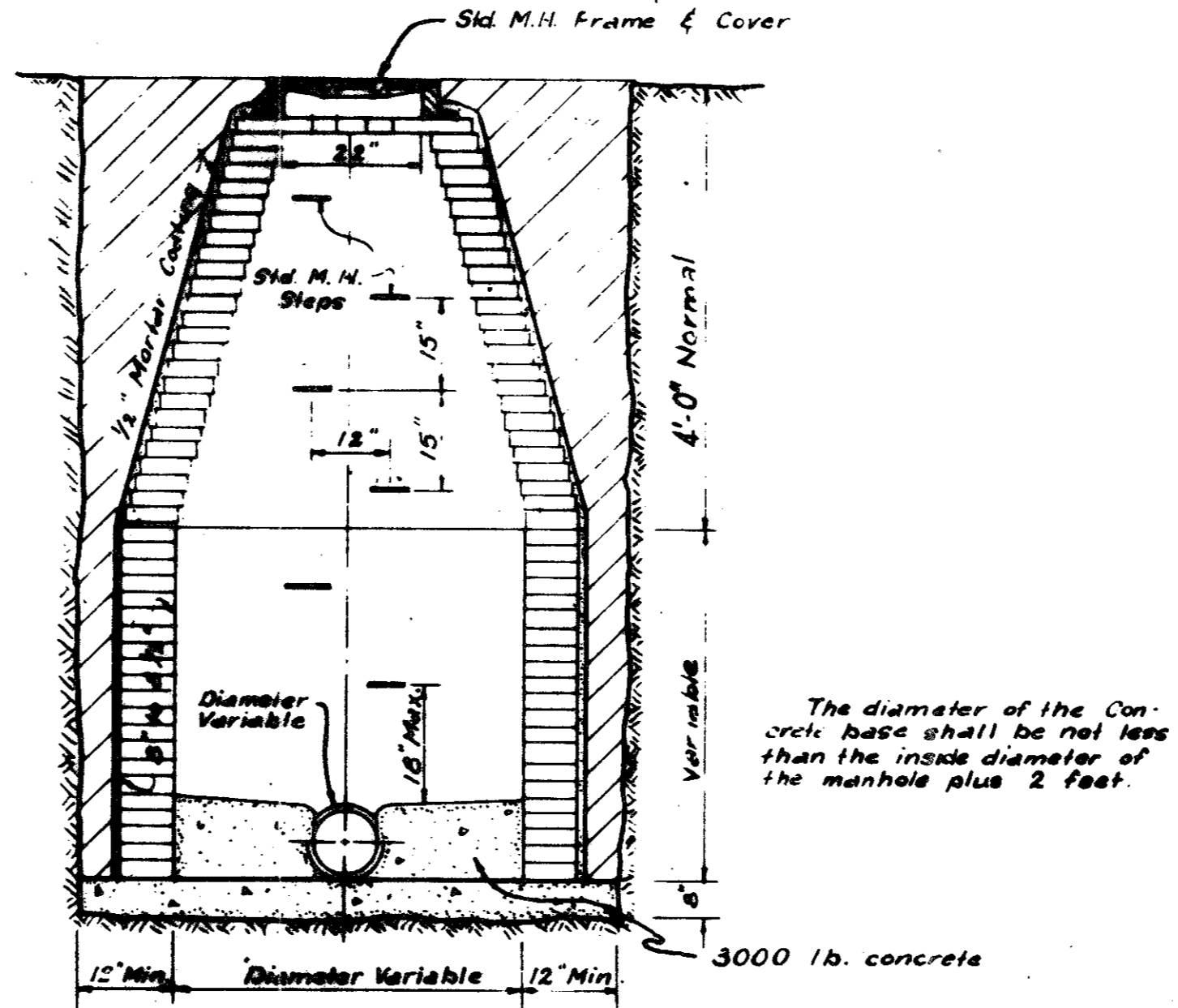


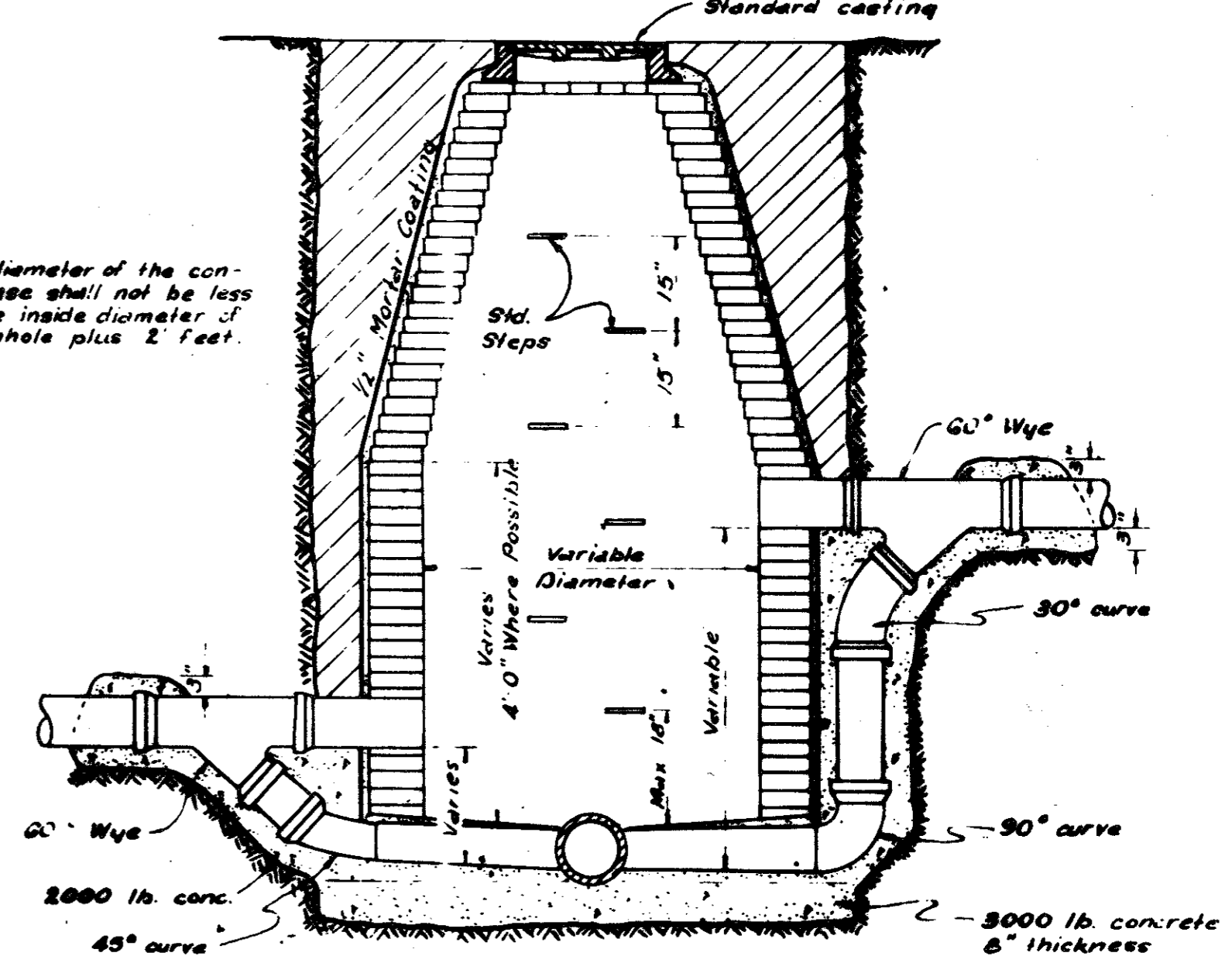
STANDARD WATER TIGHT - SOLID SEAL MANHOLE FRAME AND COVER
TO BE USED ON STANDARD MANHOLE
 As Manufactured by DALLAS FOUNDRY
 NC 975-2 or approved equal.
 Wgt 410 pounds.



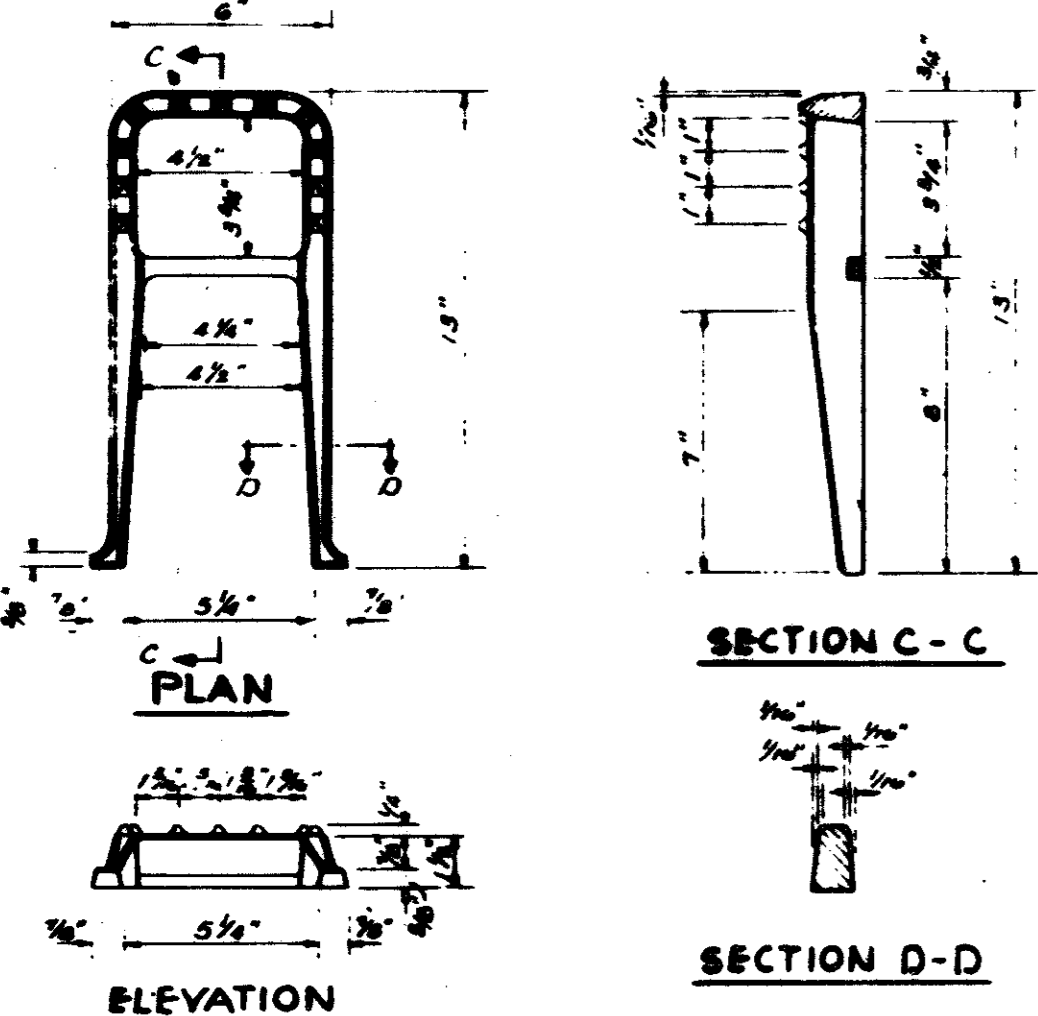
STANDARD C.I. MANHOLE FRAME & COVER
 As Manufactured by DALLAS FOUNDRY NO 700-B or
 approved equal. Wgt 400 pounds.



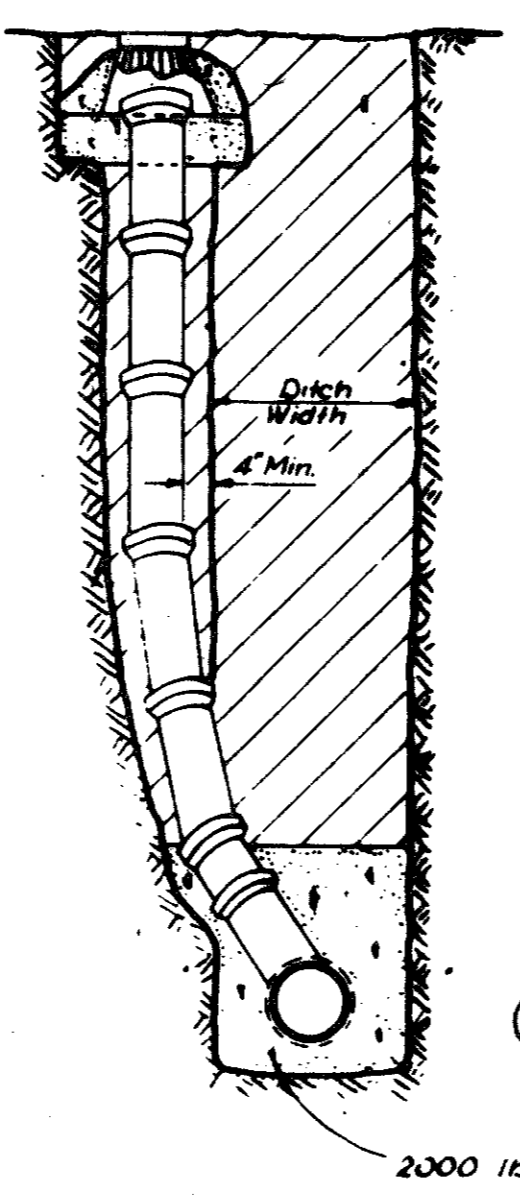
STANDARD MANHOLE



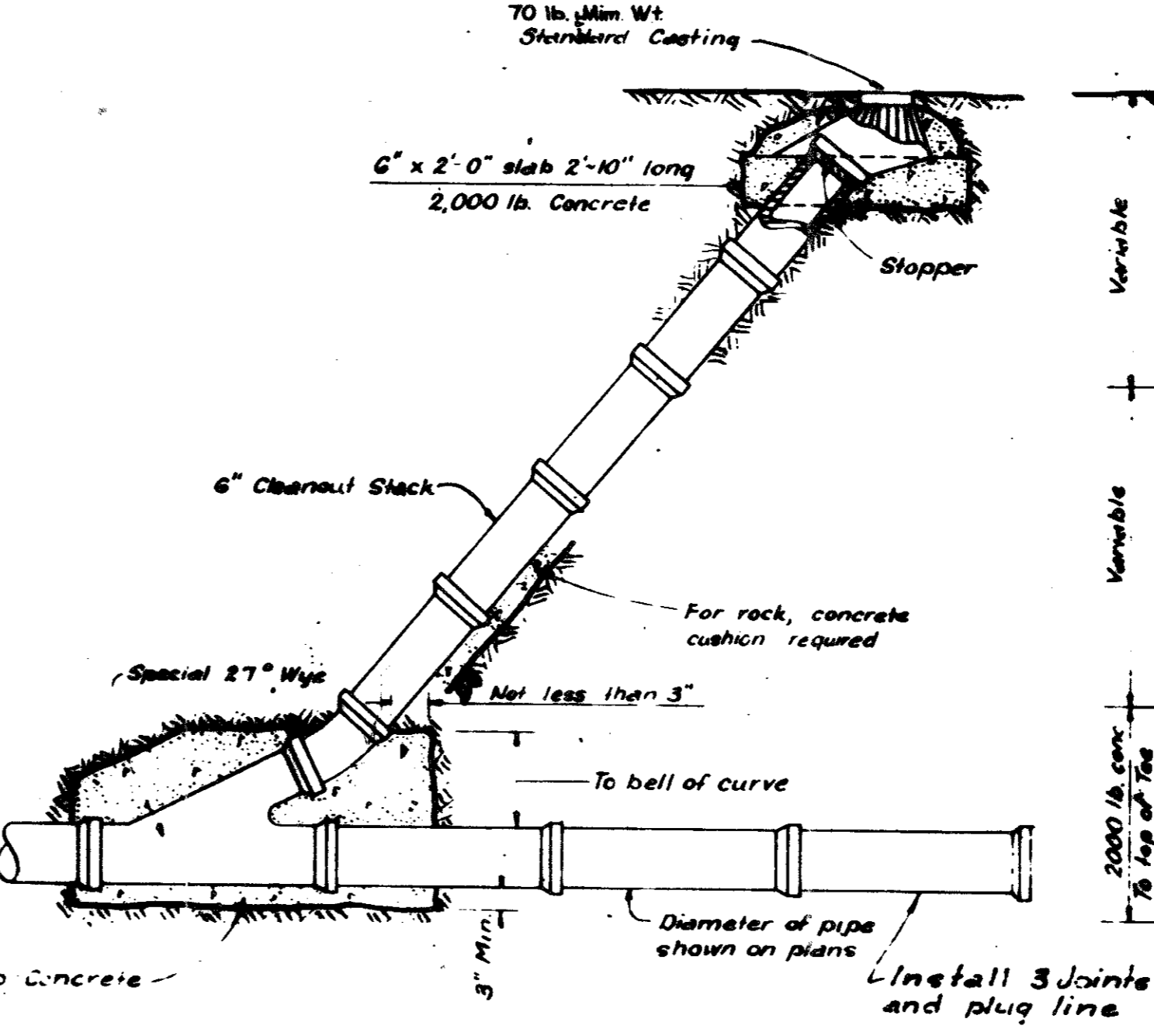
STANDARD DROP CONNECTION MANHOLE



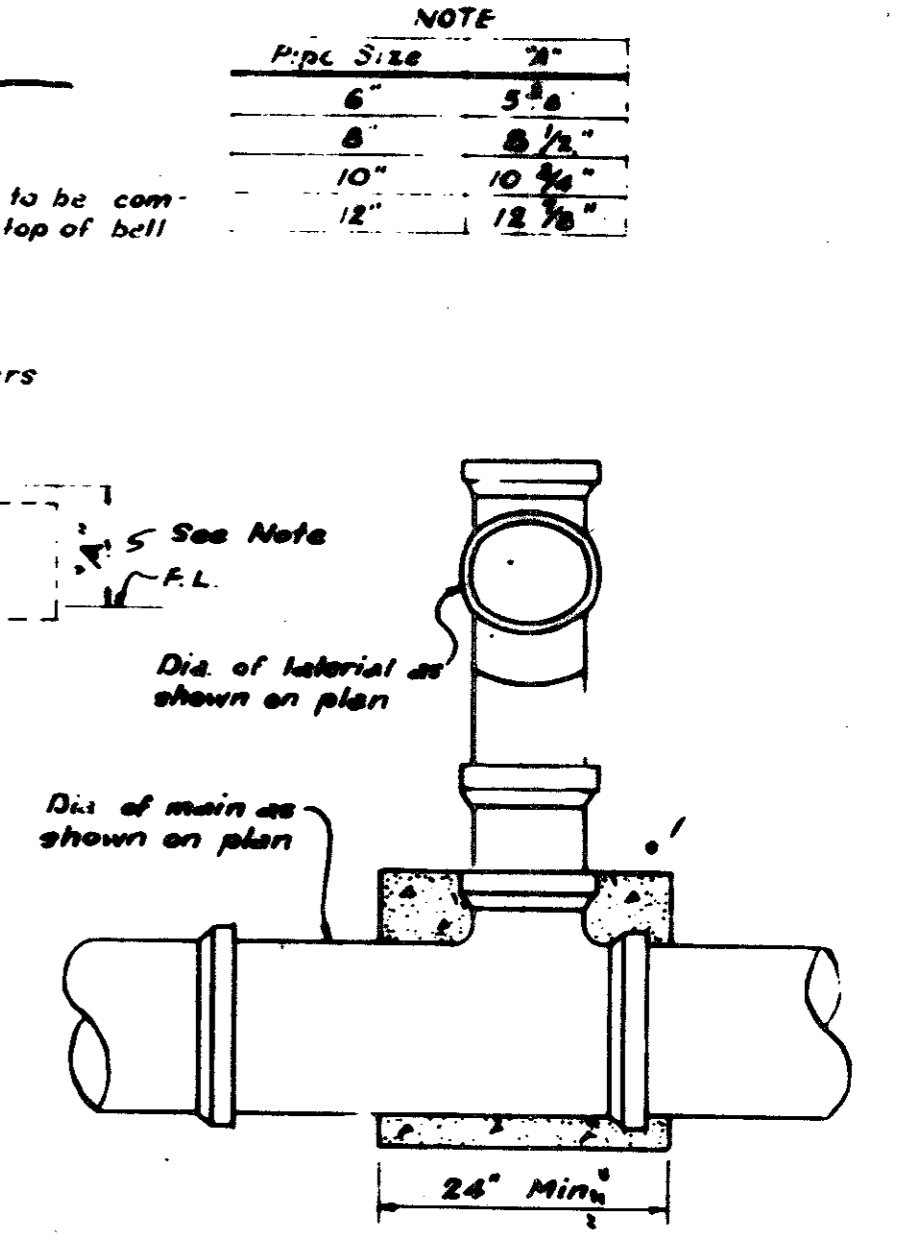
STANDARD C.I. MANHOLE STEP
 STORM SEWER & SANITARY SEWER



STANDARD CLEANOUT

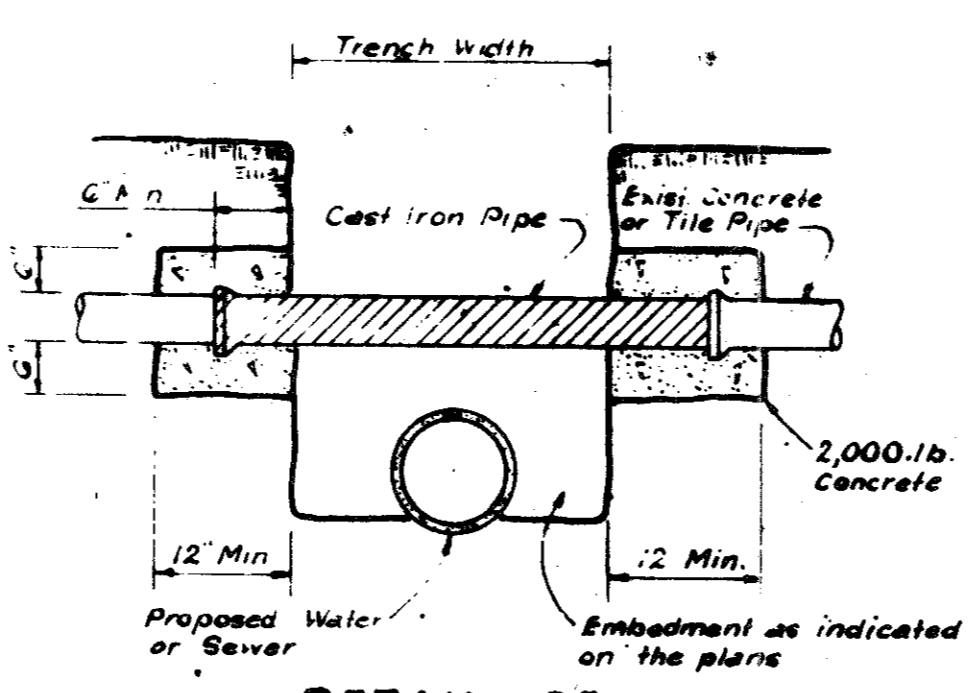


END ELEVATION

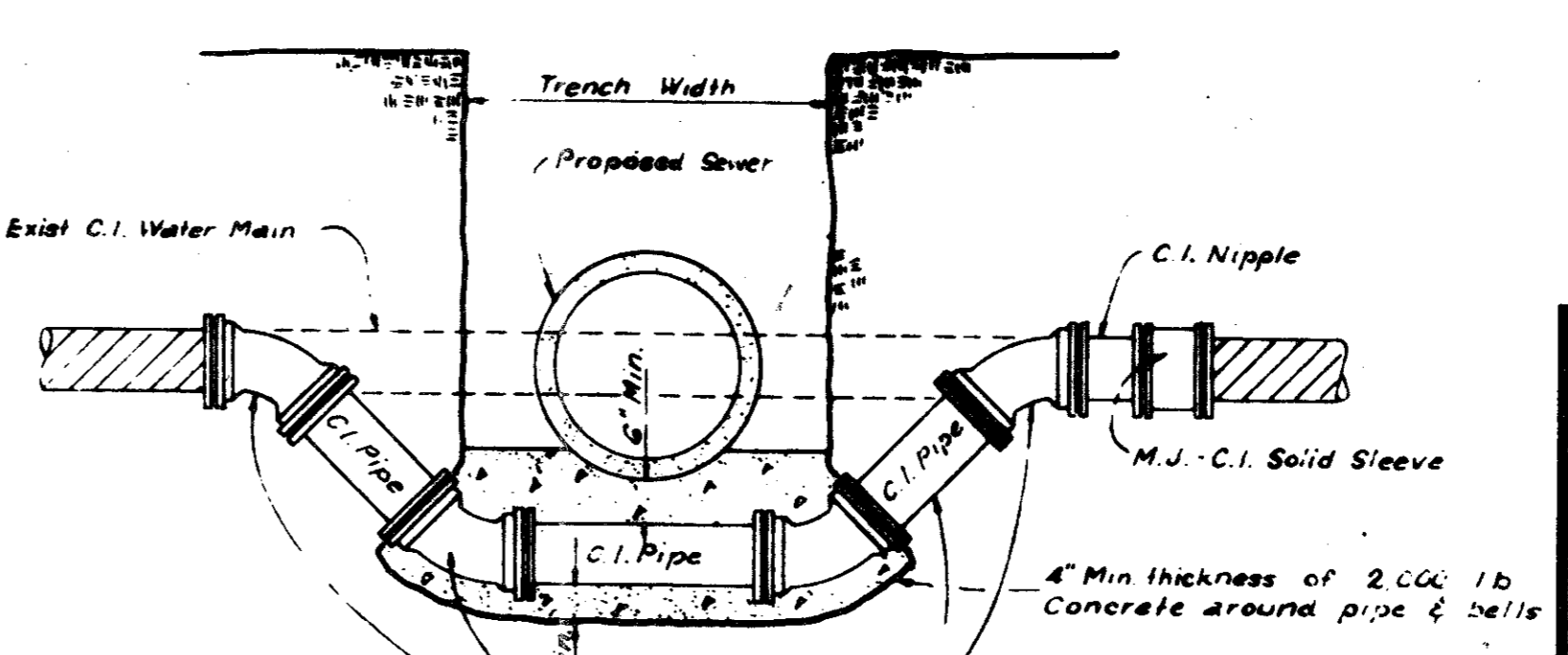


SIDE ELEVATION

DROP CONNECTION



DETAIL OF UTILITY SUPPORT



DETAIL FOR WATER MAIN LOWERING

NOTE

Pipe Size	W
6"	5 1/2"
8"	8 1/2"
10"	10 3/4"
12"	12 7/8"

REVISED TO CONFORM TO
 CONSTRUCTION RECORDS:
 BY _____
 DATE _____

REVISED MARCH, 1978 L.E.B.
 REVISED MARCH, 1975 J.H.D.

QUORUM NORTH

SANITARY SEWER DETAILS

Graham Associates, Inc.
 CONSULTING ENGINEERS & PLANNERS

DESIGN	DRAWN	CHECKED	DATE	SCALE	SHEET NO
REV	RLD	D.P.	9-7-79	NONE	15 OF 19