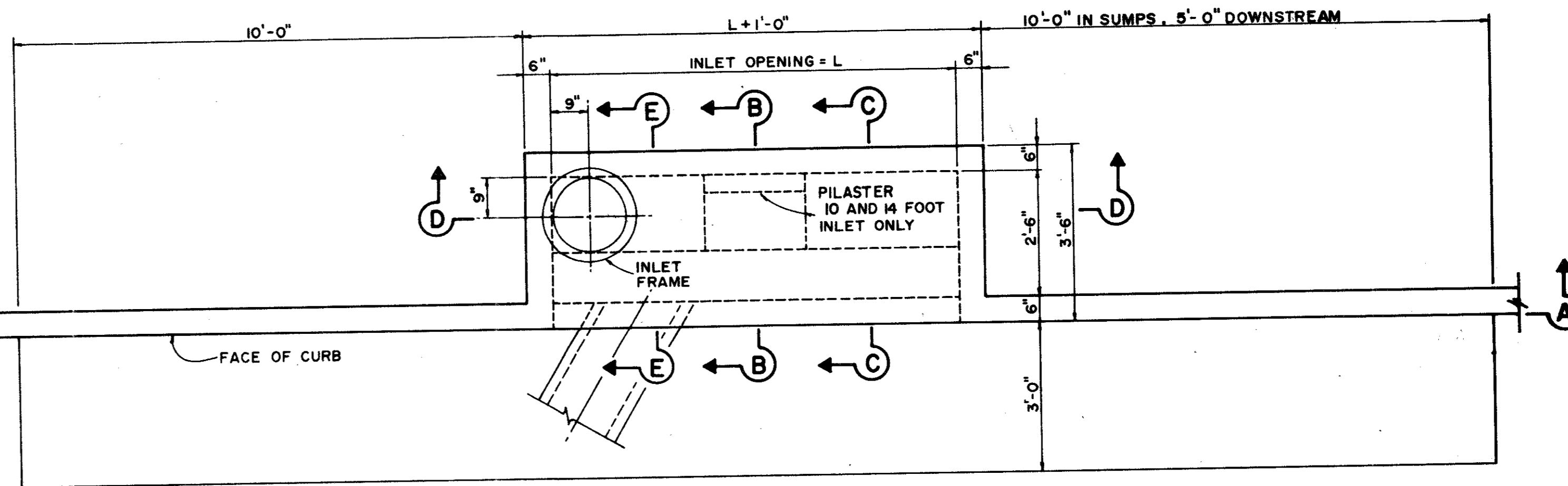
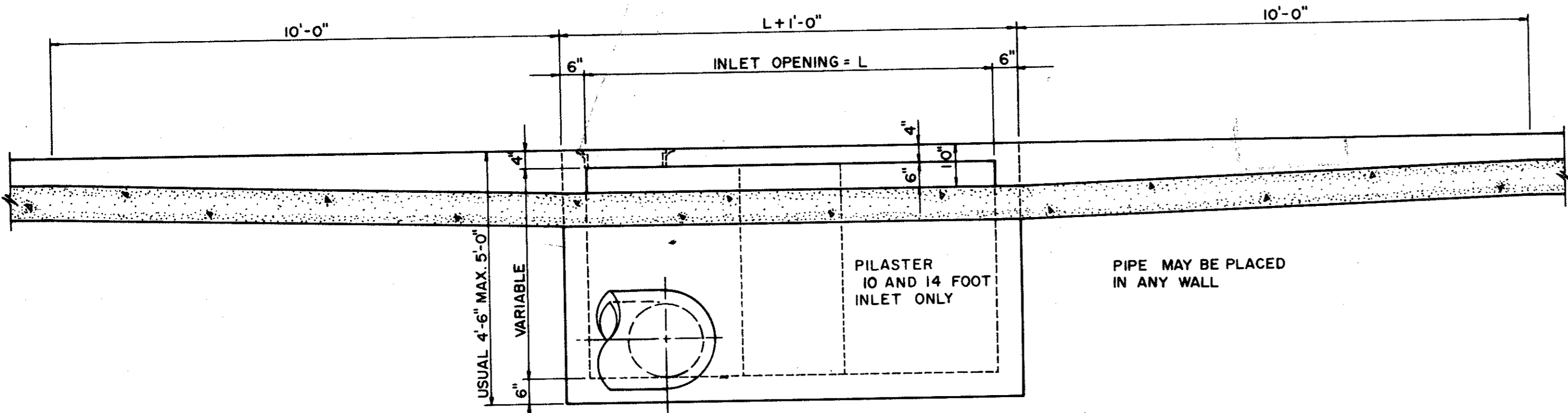


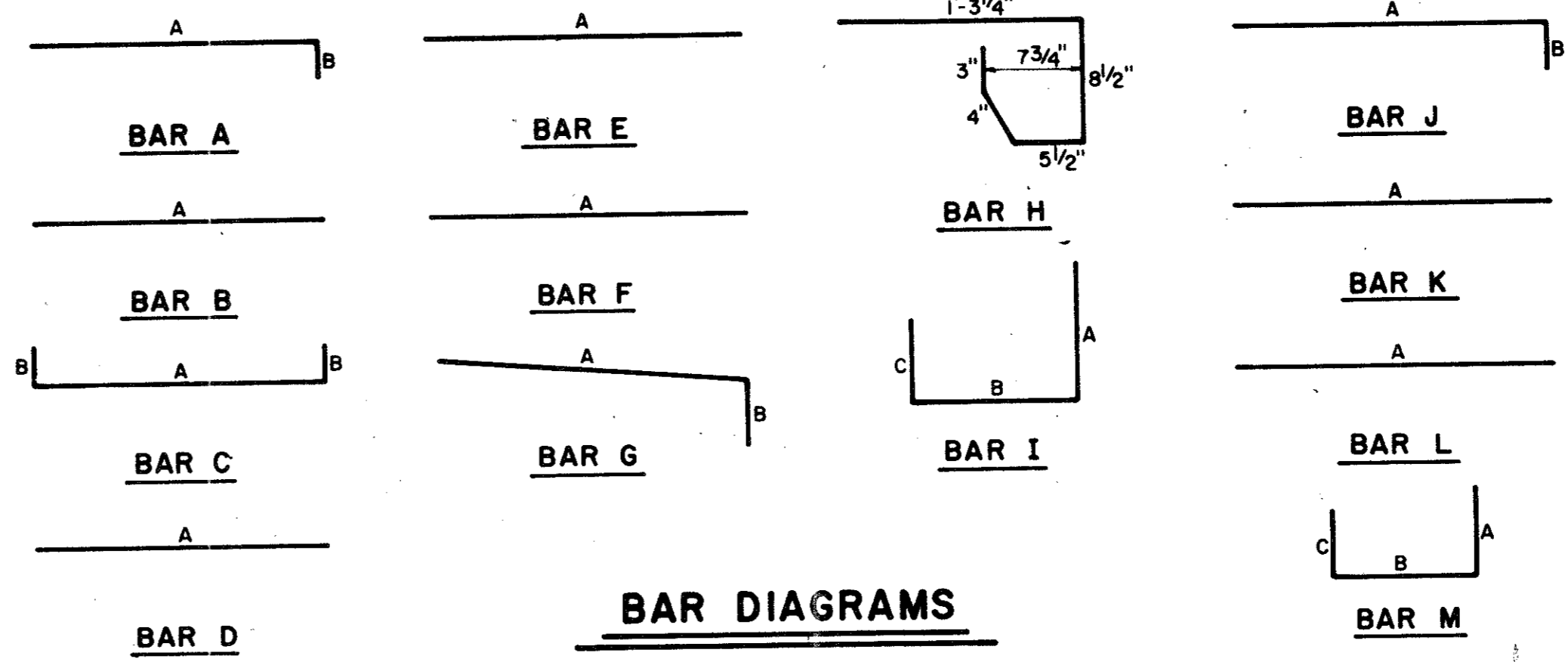
PLAN - RECESSED INLET



PLAN - STANDARD INLET



SECTION A-A-RECESSED AND STANDARD INLETS  
5, 10, AND 14 FOOT INLETS



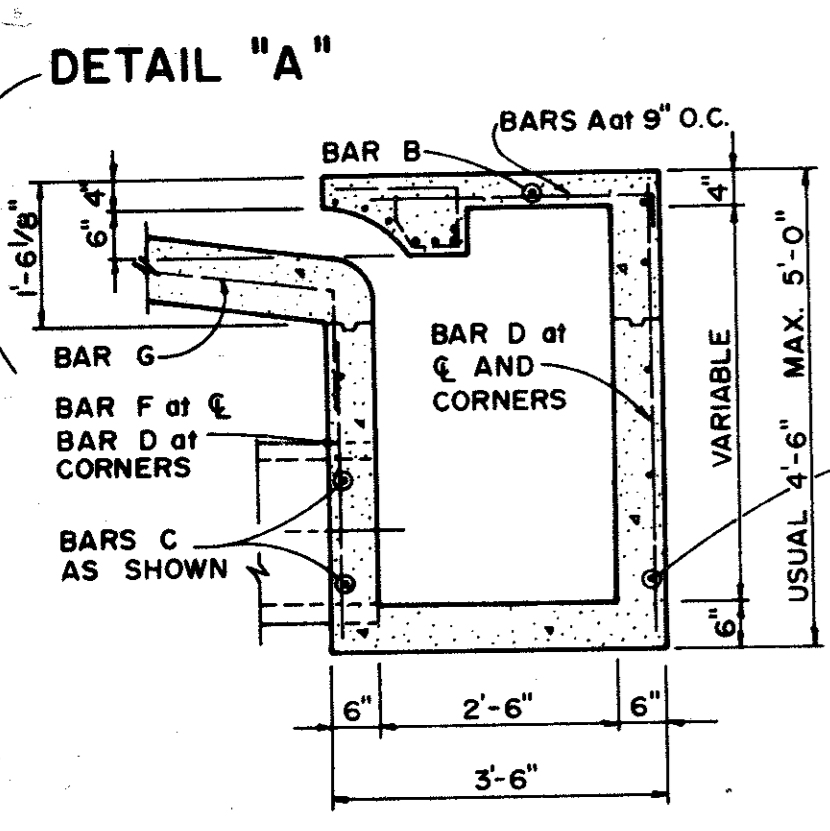
BAR DIAGRAMS

**REINFORCING STEEL SCHEDULE**

DIMENSIONS SHOWN ARE FOR MAXIMUM SIZE INLETS

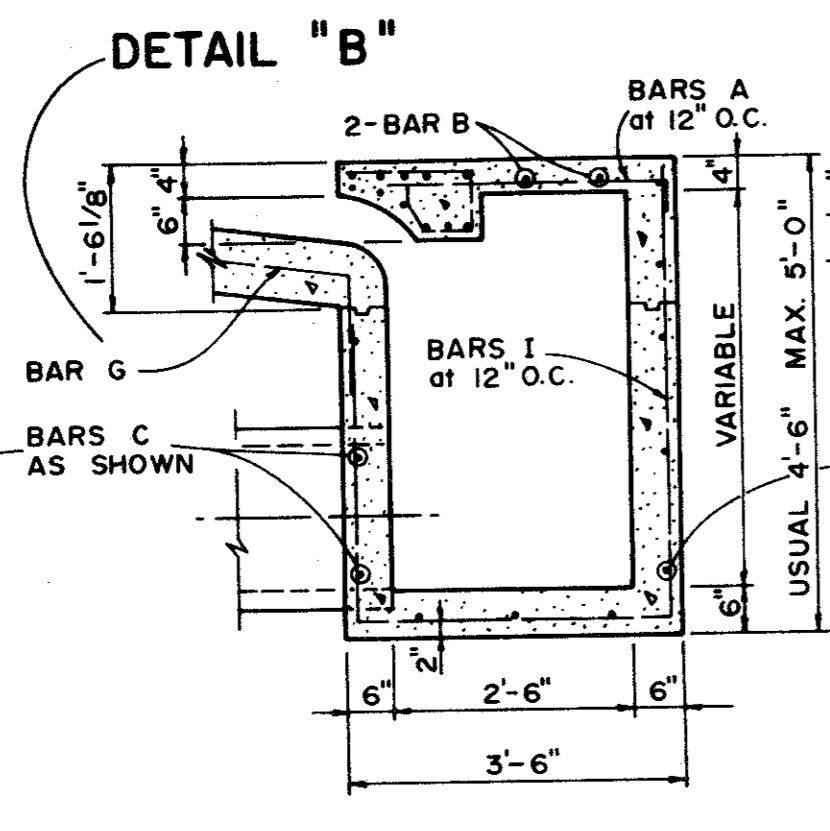
INLET LENGTH	BAR TYPE	BAR DIA. (1/8 IN.)	NO. REQ'D	BAR DIMENSIONS		
				A	B	C
5	A	3	9	3'-2"	0'-3"	-
	B	3	1	3'-10"	-	-
	C	4	15	5'-8"	0'-6"	-
	D	4	5	4'-8"	-	-
	F	4	1	3'-2"	-	-
	G	3	5	2'-0"	1'-3"	-
10	H	3	3	*	*	*
	A	3	10	3'-2"	-	-
	B	3	2	8'-10"	-	-
	C	4	16	10'-8"	0'-6"	-
	D	4	4	4'-8"	-	-
	E	5	6	10'-8"	-	-
	G	3	5	2'-0"	1'-3"	-
	H	3	15	*	*	*
	I	4	8	4'-8"	3'-2"	3'-2"
	J	5	9	3'-2"	1'-3"	-
14	K	4	5	2'-3"	-	-
	L	4	5	4'-3"	-	-
	M	5	9	4'-3"	3'-2"	3'-9"
	A	3	14	3'-2"	0'-3"	-
	B	3	2	10'-10"	-	-
	C	4	16	14'-8"	0'-6"	-
	D	4	4	4'-8"	-	-
	E	5	6	14'-8"	-	-
	G	3	5	2'-0"	1'-3"	-
	H	3	21	*	*	*
I	4	12	4'-8"	3'-2"	3'-2"	
J	5	9	3'-2"	1'-3"	-	
K	4	5	2'-3"	-	-	
L	4	5	4'-3"	-	-	
M	5	9	4'-3"	3'-2"	3'-9"	

\* SEE D AGRAM FOR DIMENSIONS



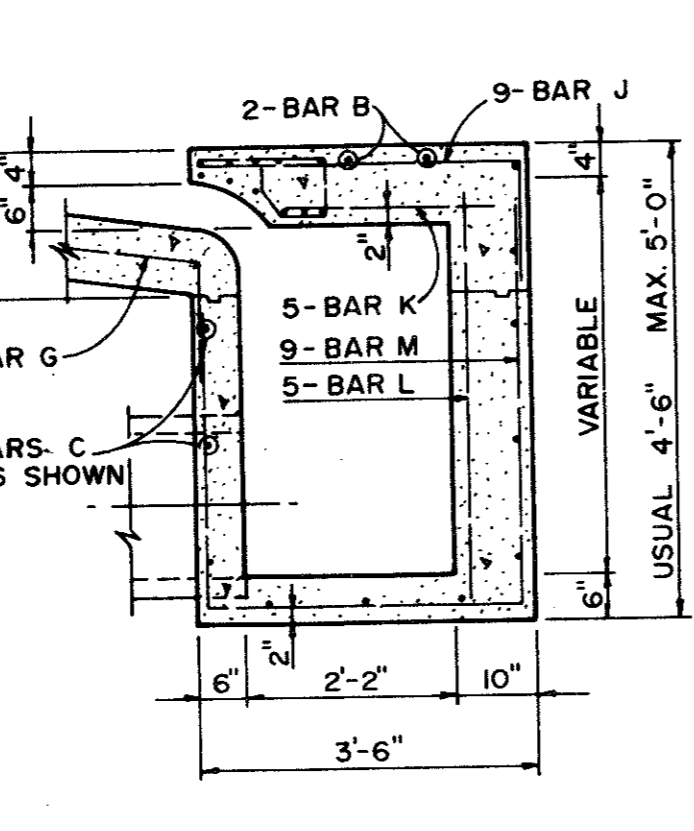
SECTION E-E

5 FOOT INLET

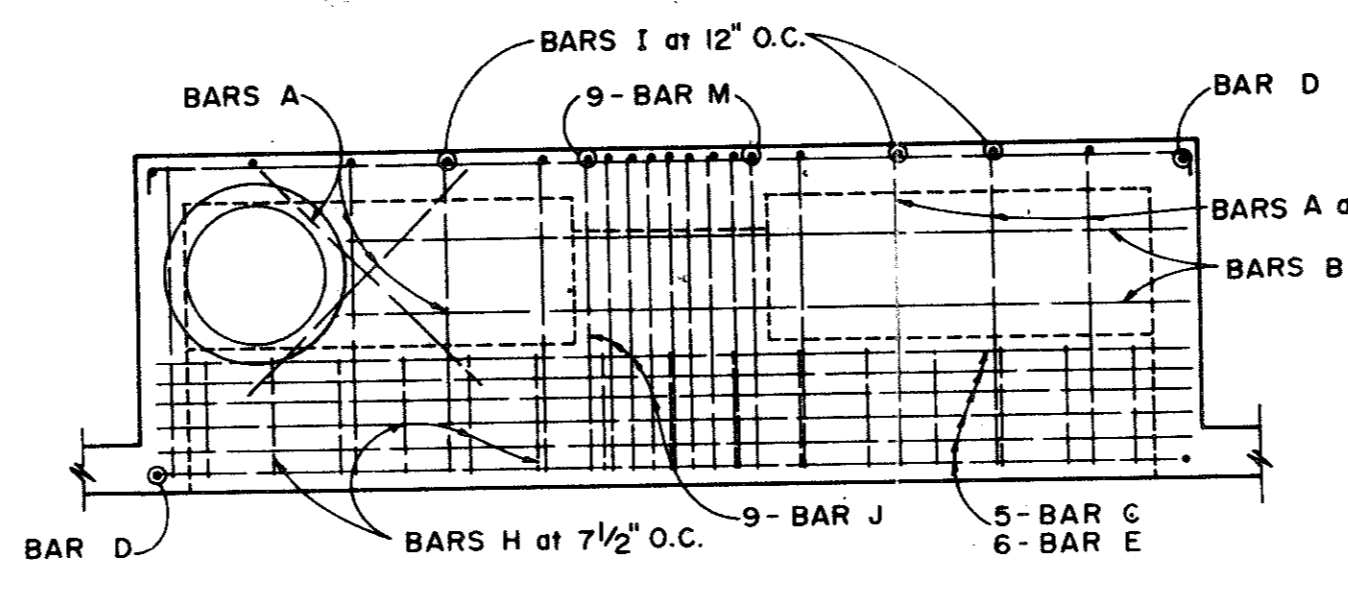


SECTION C-C

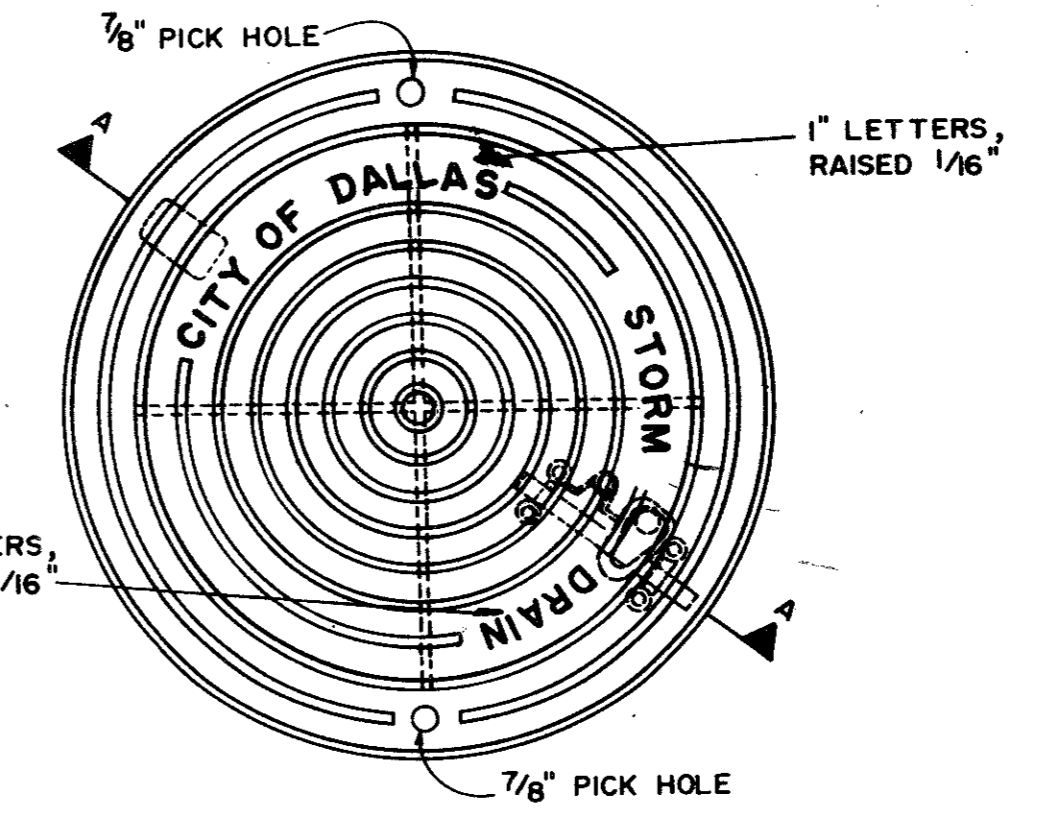
10 AND 14 FOOT INLETS



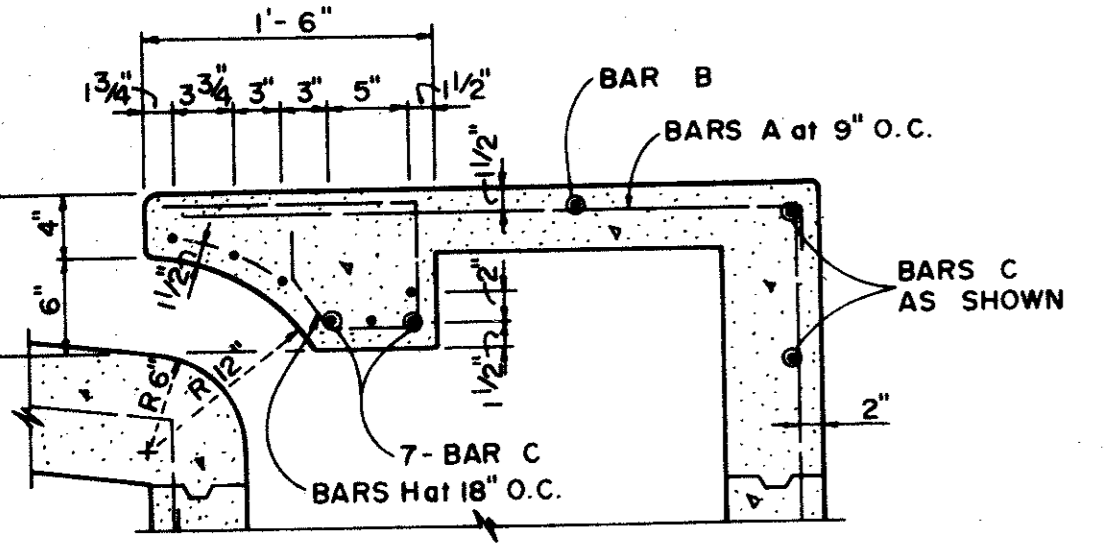
SECTION B-B



PLAN

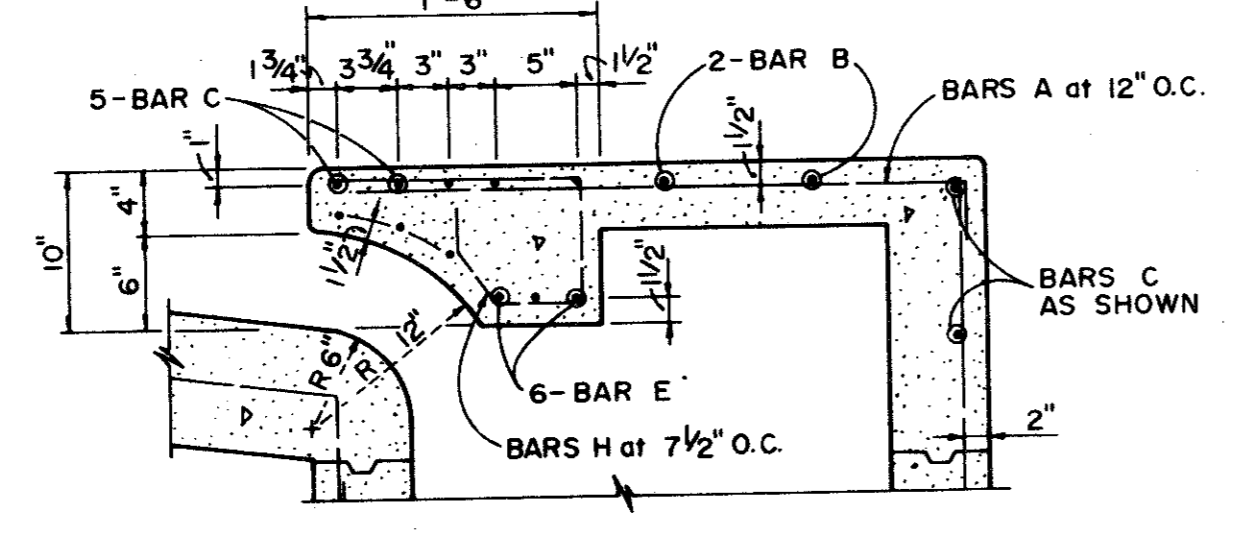


PLAN OF FRAME



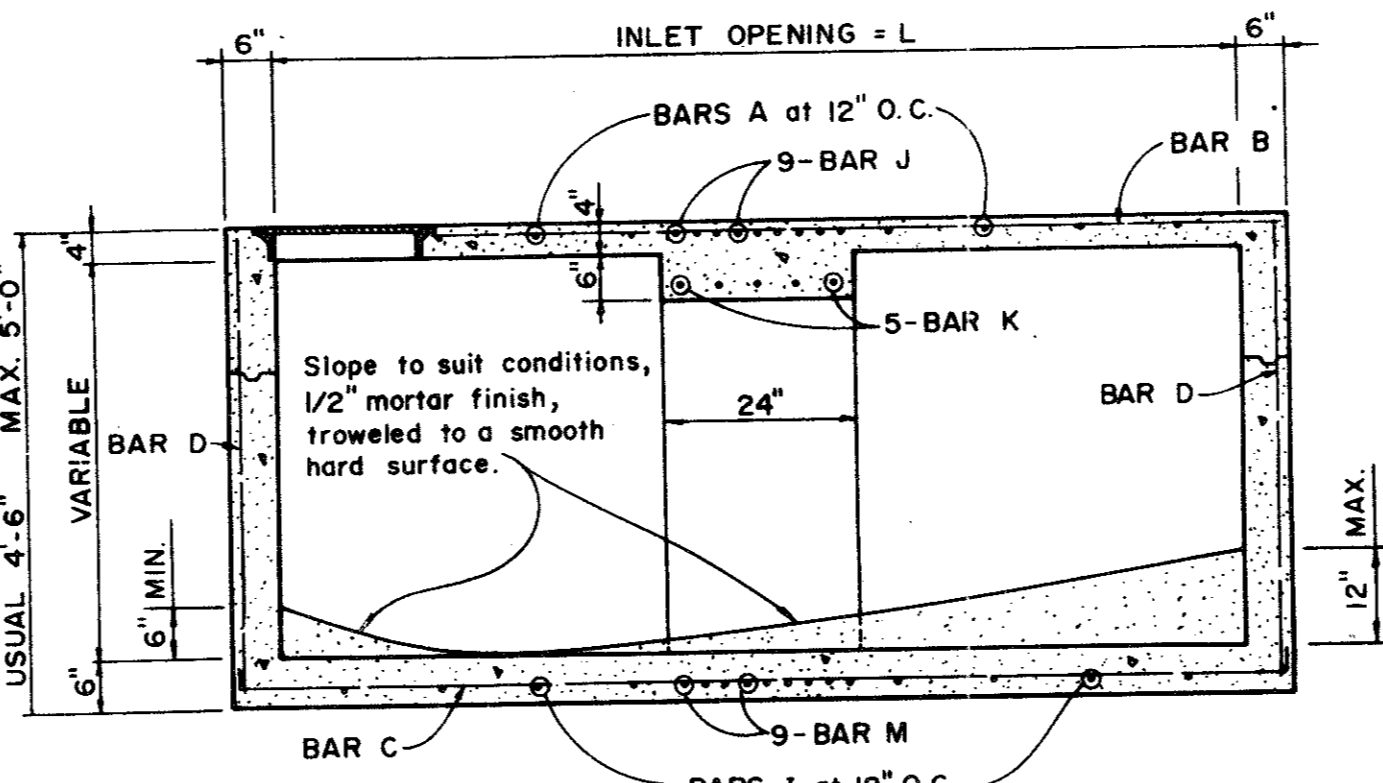
DETAIL "A"

5 FOOT INLET

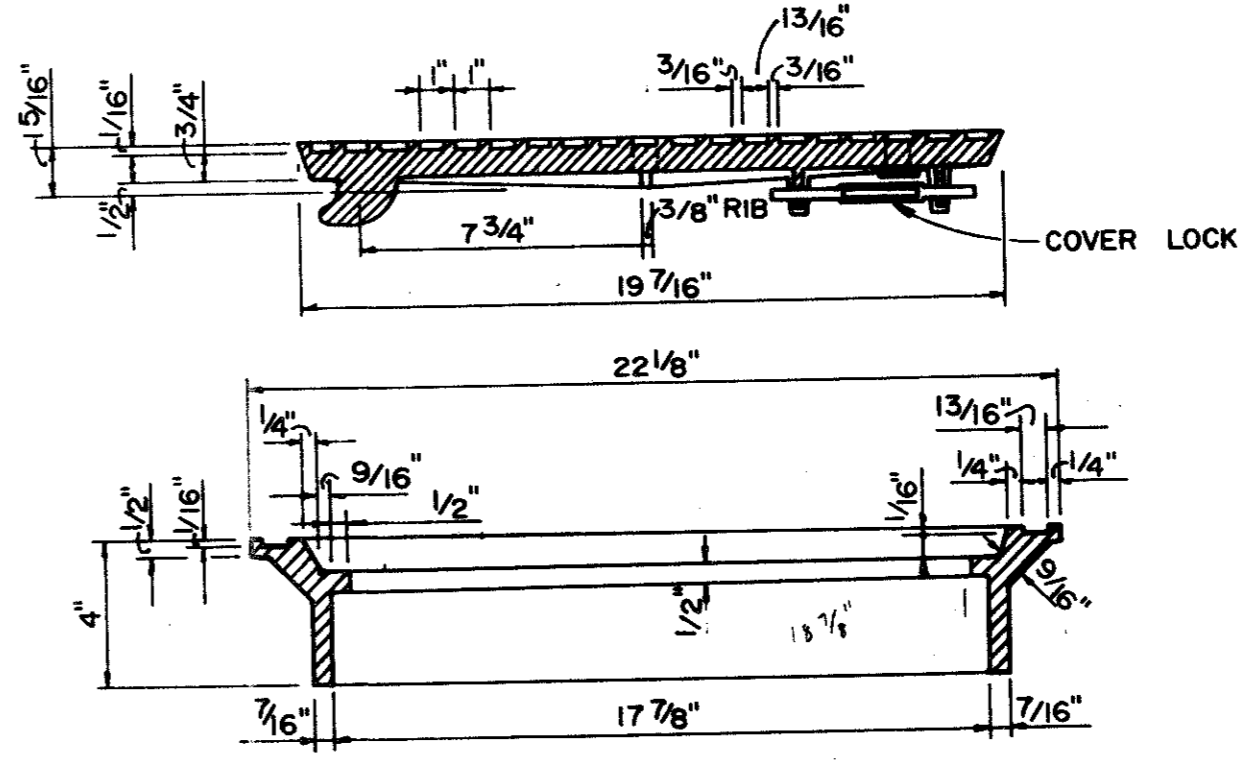


DETAIL "B"

10 AND 14 FOOT INLETS



SECTION D-D



SECTION OF FRAME AND COVER

INLET FRAME AND COVER

REVISED TO CONFORM TO CONSTRUCTION RECORDS:  
BY \_\_\_\_\_  
DATE \_\_\_\_\_

**QUORUM NORTH**

STANDARD CONSTRUCTION DETAILS						
STANDARD (TYPE I) AND RECESSED (TYPE II) INLETS						
DEPARTMENT OF PUBLIC WORKS						
CITY OF ADDISON, TEXAS						
DESIGN	DRAWN	DATE	SCALE	NOTES	FILE	SHEET NO.
WEP		9-7-79	NONE		424 Q	19 of 19