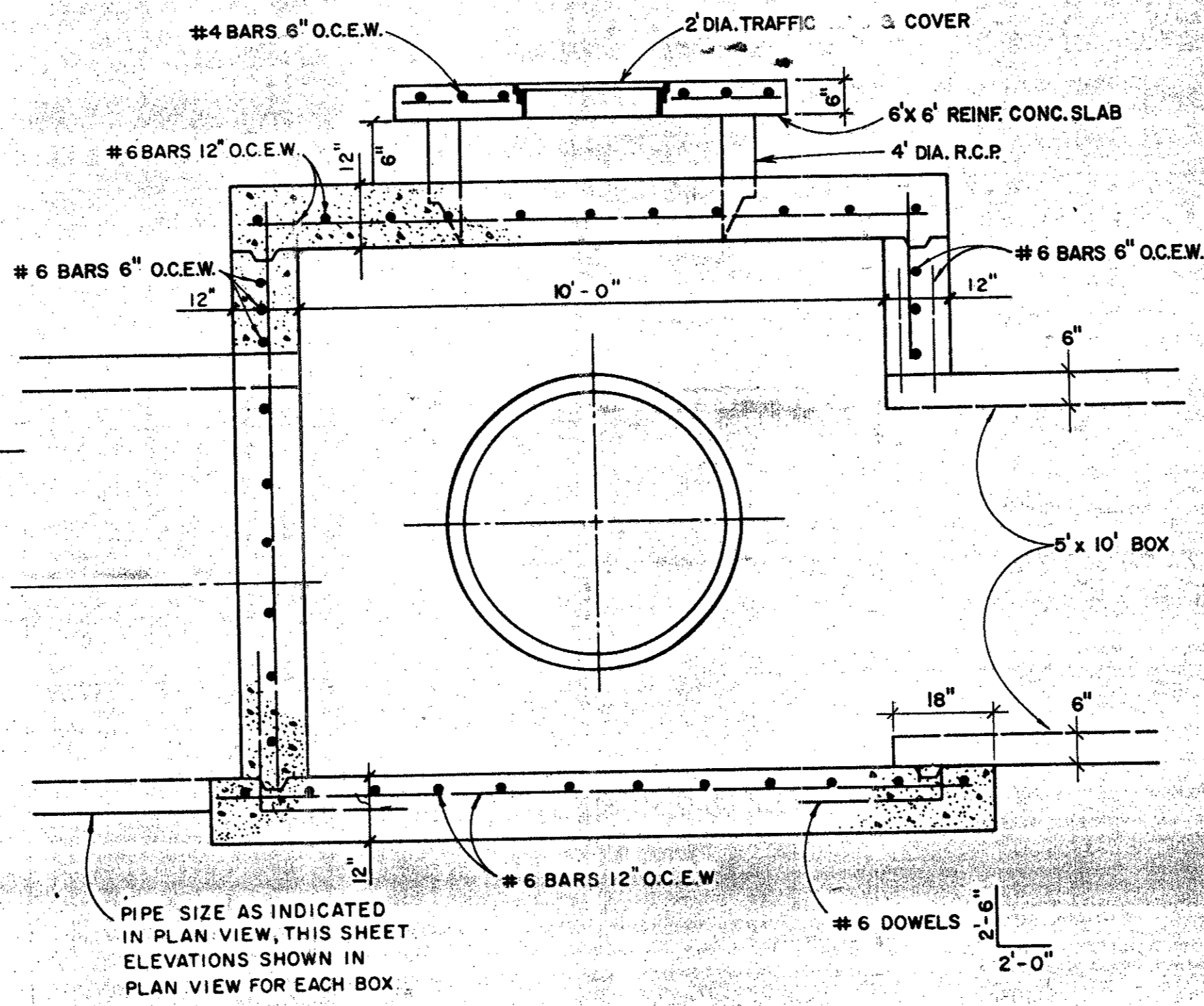
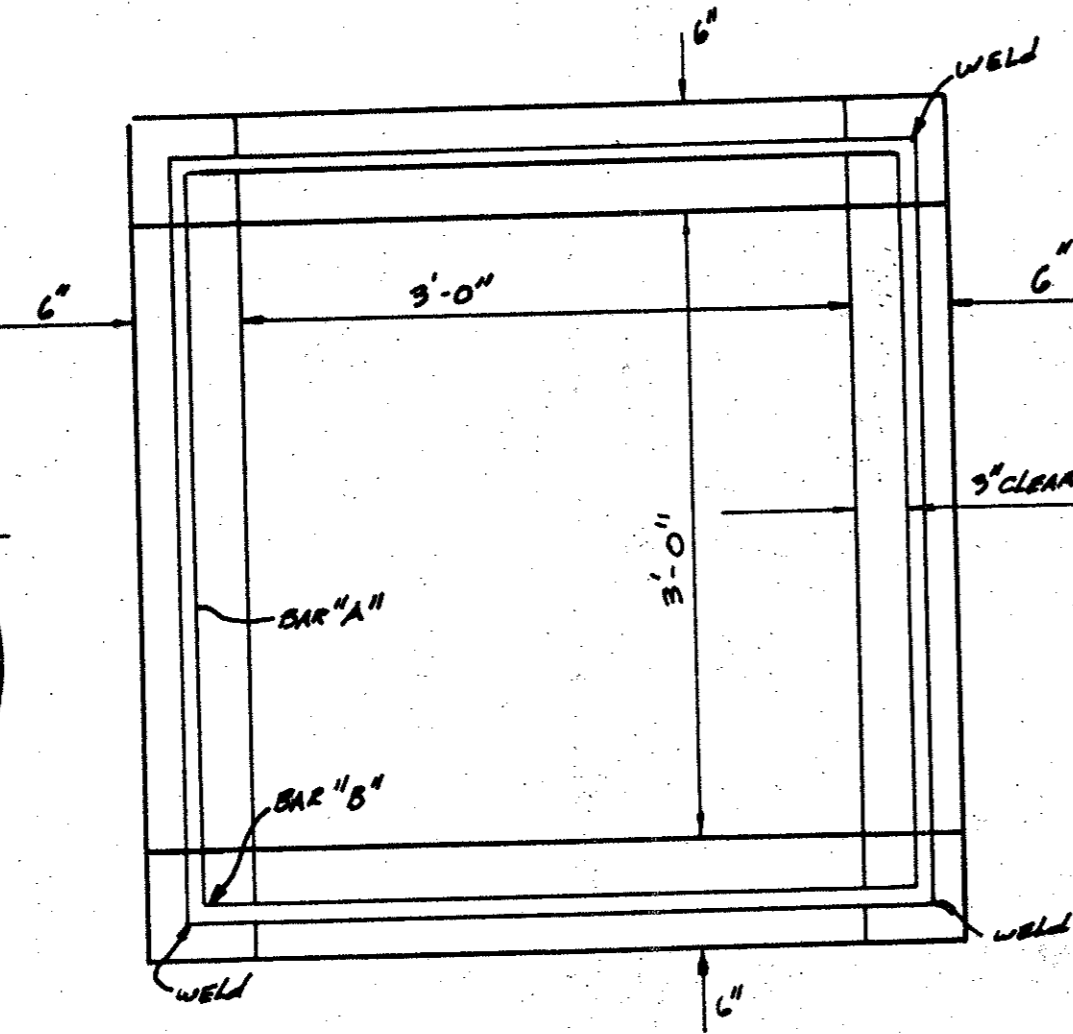
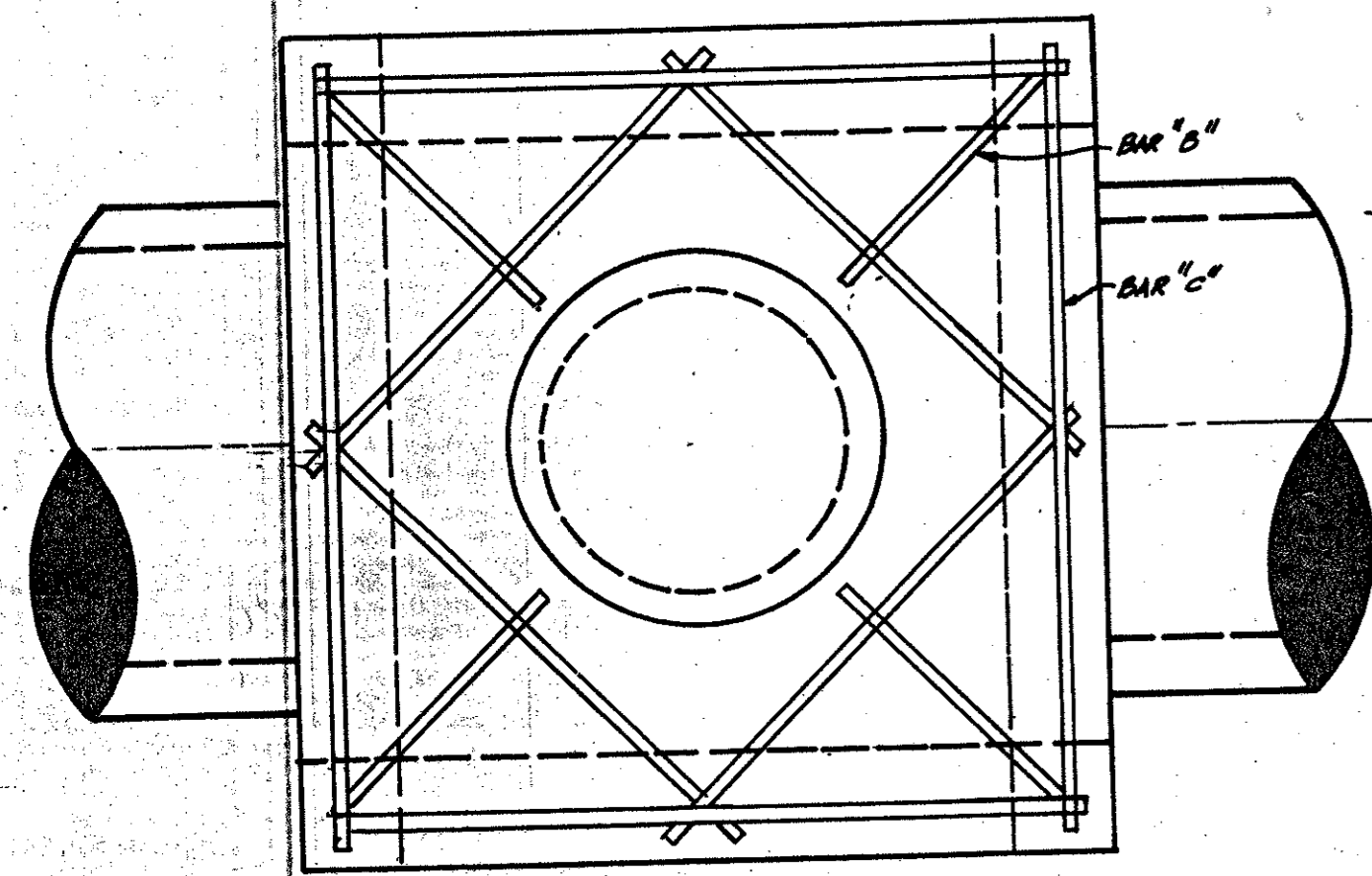


SPECIAL "Y" INLET
SCALE: 1/8" = 1'-0"

A-A

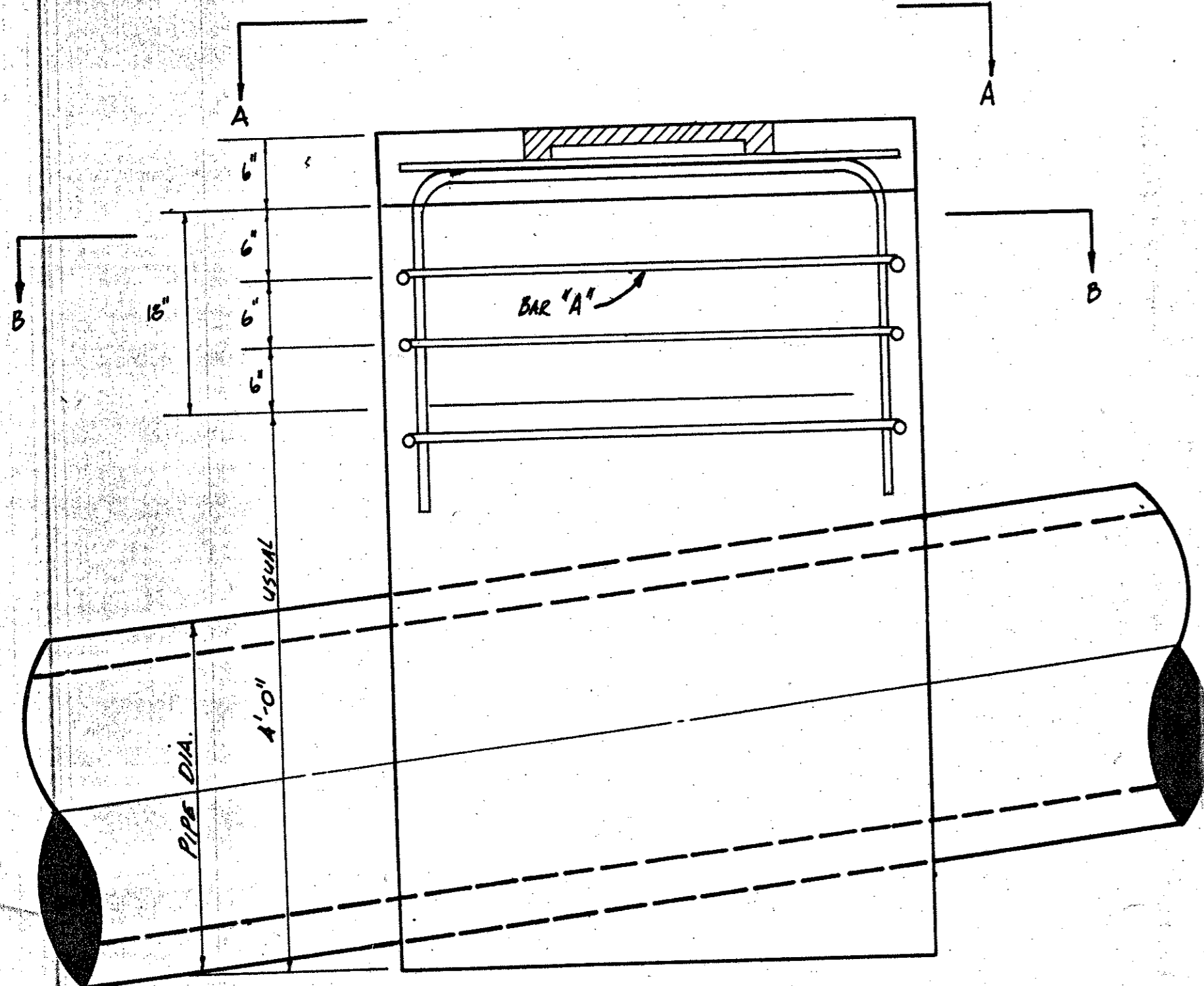
B-B



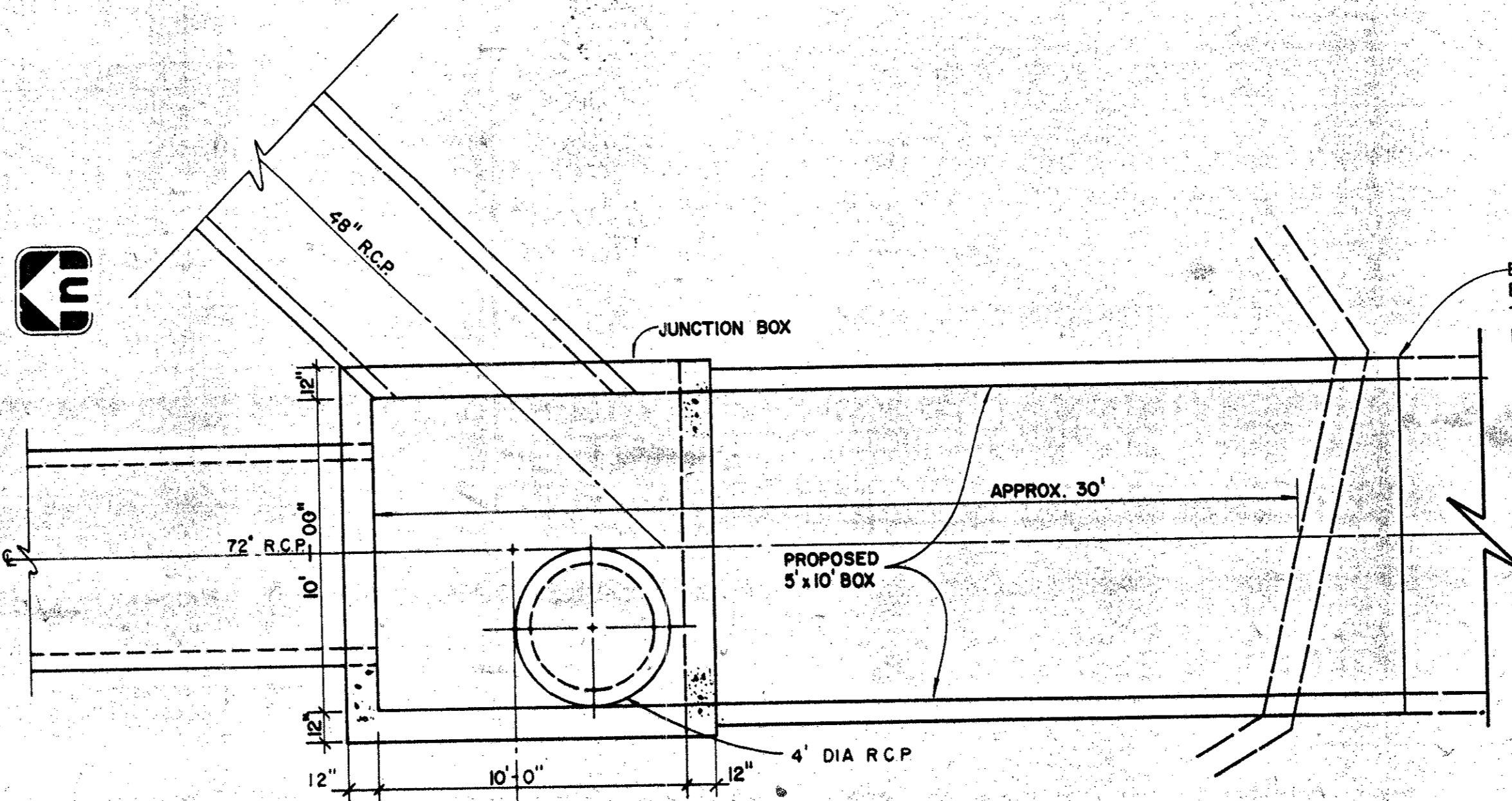
PIPE SIZE AS INDICATED
IN PLAN VIEW, THIS SHEET
ELEVATIONS SHOWN IN
PLAN VIEW FOR EACH BOX.

TYPICAL SECTION THRU JUNCTION BOXES

NOTE:
"A" BARS SHALL BE NO. 8 BARS PLACED AS SHOWN
AND WELDED AT EACH CORNER OF THE INLET.
ALL OTHER BARS SHALL BE NO. 5 PLACED AS
SHOWN.
USE CITY OF DALLAS STANDARD INLET FRAME
AND COVER - FILE 4840, NO. 7. (22 1/2" FRAME)



DEPTH OF INLET MAY VARY
TO SUIT CONDITIONS IN THE
FIELD OR AS SPECIFIED ON
PLANS.



SCALE: 1/4" = 1'-0"

AS BUILT PLANS

BY: _____
DATE: _____

PROPOSED STORM DRAINAGE
**QUORUM
OFFSITE DRAINAGE**
ADDISON, TEXAS

Graham Associates, Inc.
CONSULTING ENGINEERS & PLANNERS
Date: 6-28-79
File: 314-1438
Drawn By: WTP
Sheet 4 of 4

F-299-PD