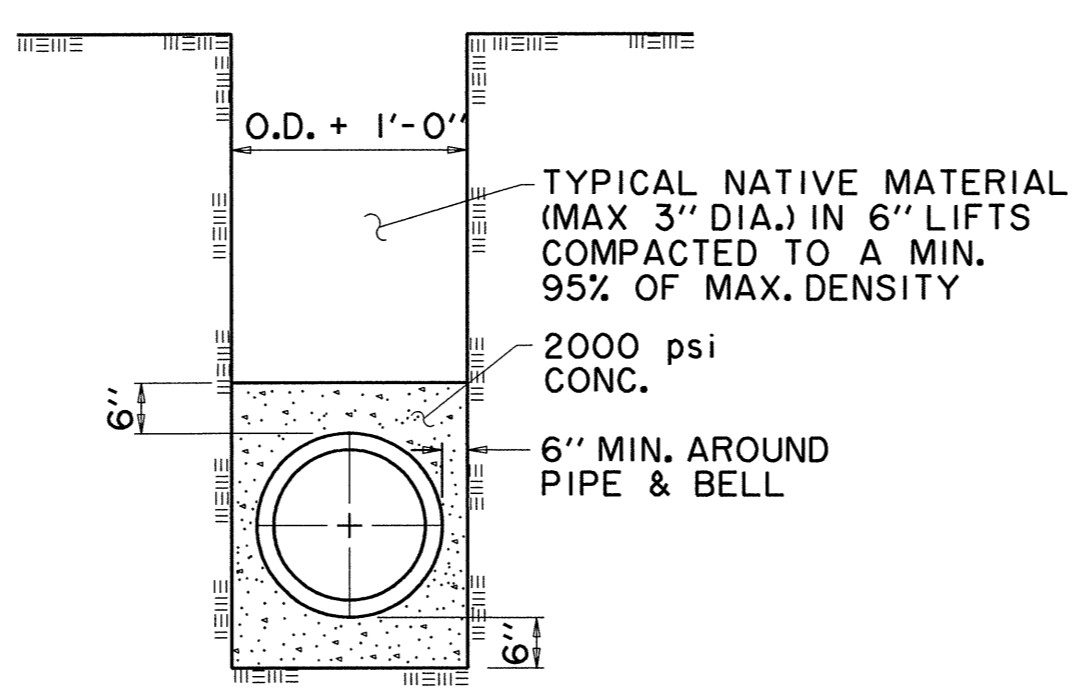
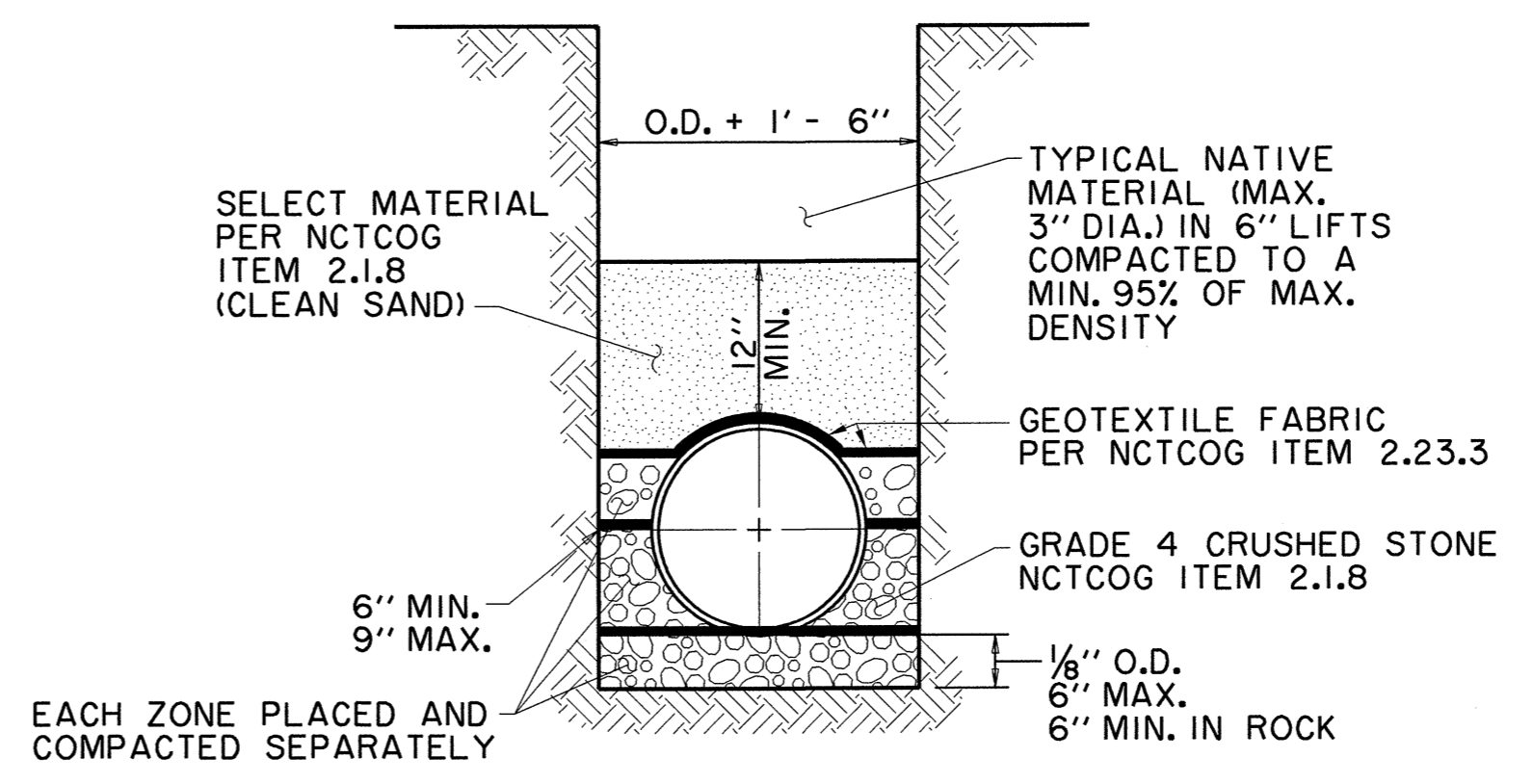


**NOTE:**  
THE TAPPING SADDLE & CORPORATION STOP MUST BE POLY-WRAPPED (8 MIL) & HAND BACKFILLED WITH SAND TO A DEPTH OF 12". CAUTION !! INSPECTION MUST BE CALLED FOR & COMPLETED PRIOR TO BACKFILL OR TAP MUST BE RE-EXPOSED BY THE CONTRACTOR FOR INSPECTION BY THE TOWN.

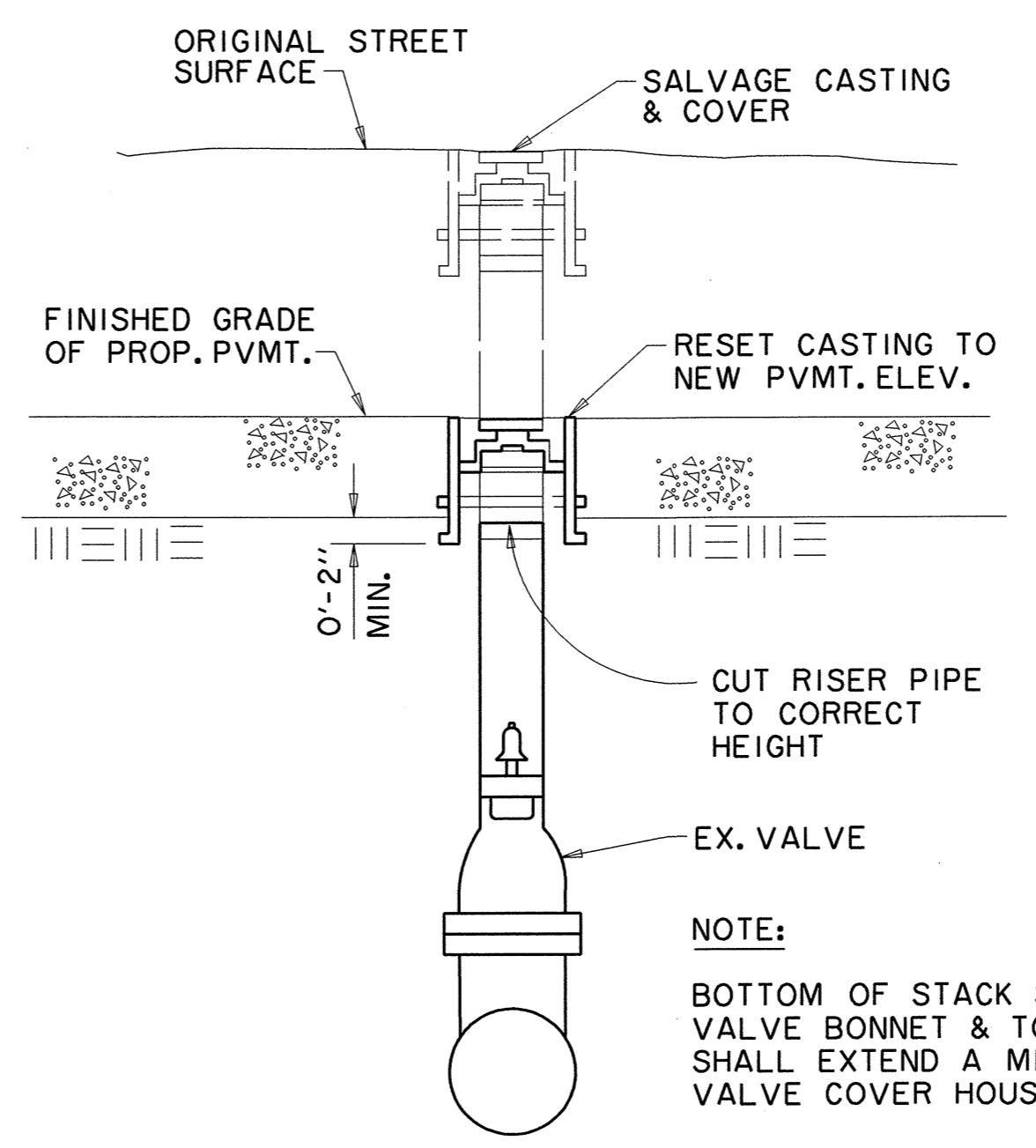
**TYPICAL WATER SERVICE DETAIL UP TO 2" METER**  
N.T.S.



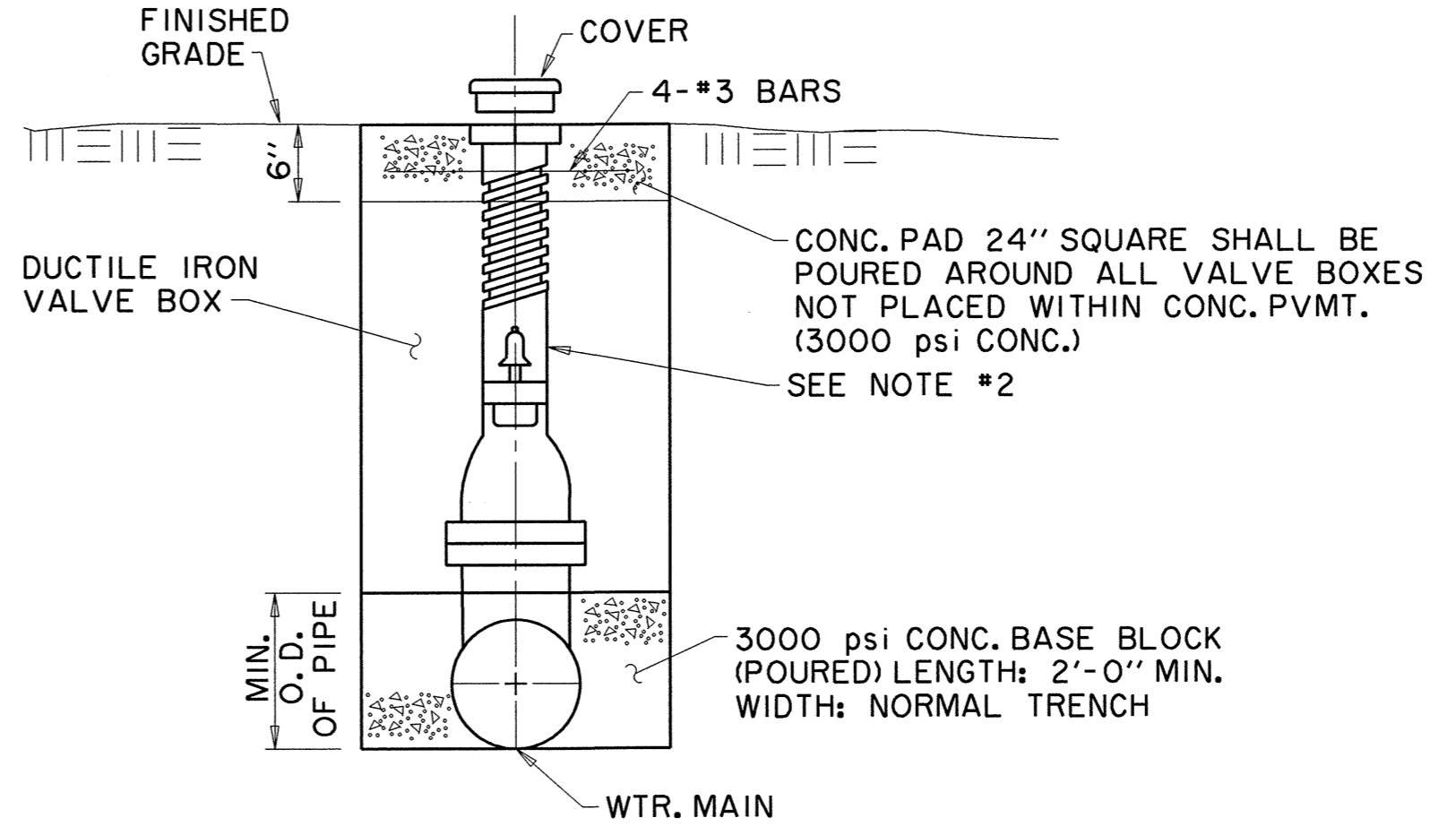
**CONC. ENCASEMENT WATER MAIN**  
N.T.S.



**PVC EMBEDMENT**  
N.T.S.

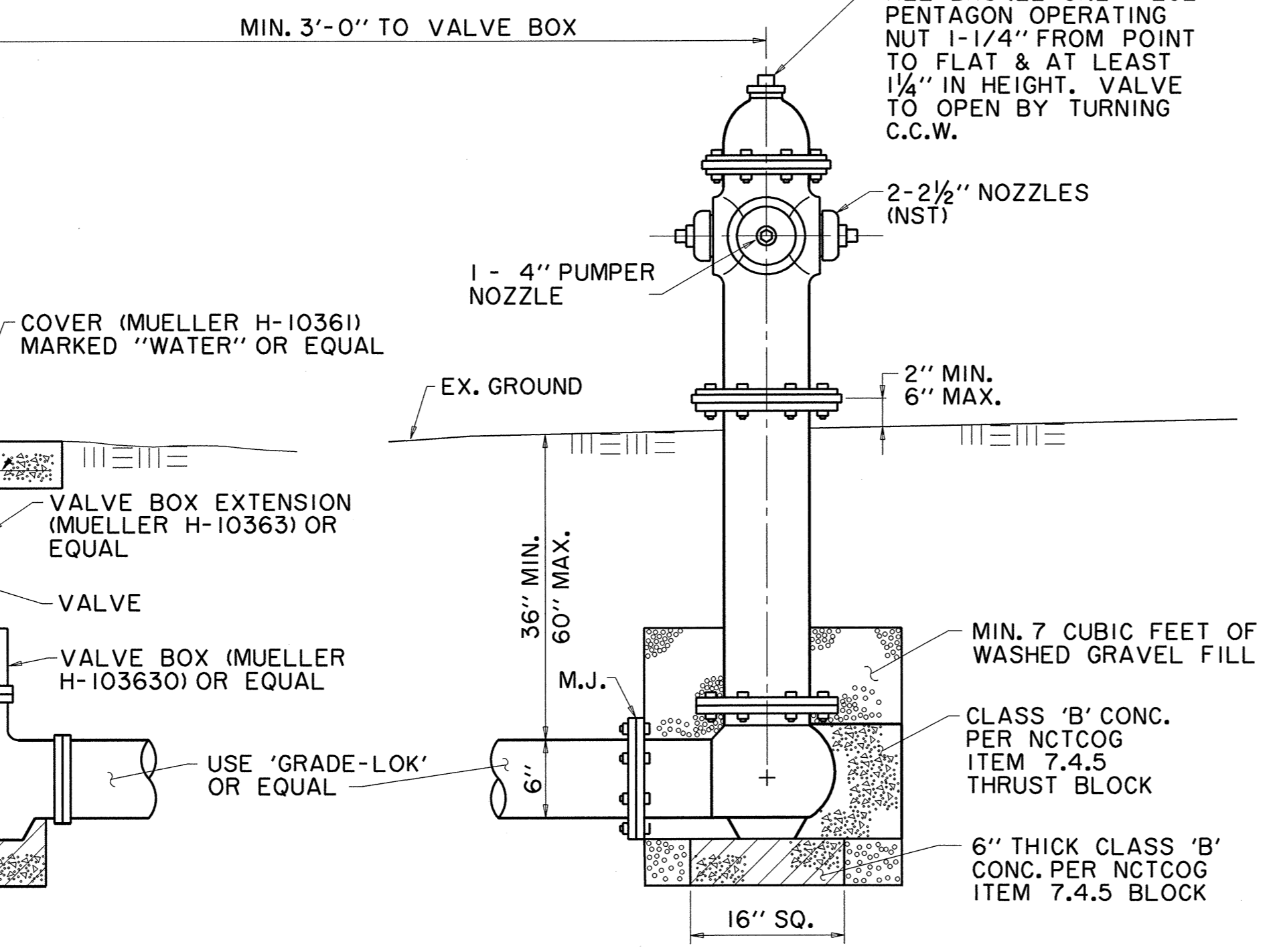


**VALVE COVER & RISER PIPE ADJUSTMENT**  
N.T.S.



**TYPICAL VALVE SETTING & BOX**  
N.T.S.

FIRE HYDRANT TO BE "MUELLER" TRAFFIC MODEL W/6" MECHANICAL JOINT CONNECTION OR APPROVED EQUAL W/5/4" VALVE OPENING W/BARREL APPROX. 7" INSIDE DIAMETER. HYDRANT BODY SHALL BE COATED W/2 COATS OF ALUMINUM PAINT OVER TWO COATS OF PRIMER. BONNET TO FLANGE & NOZZLE CAPS SHALL BE PAINTED BY COLOR CODE FOR MAIN SIZE ACCORDING TO CITY STANDARDS. ALL HYDRANTS SHALL BE EQUIPPED WITH A BREAKAWAY FLANGE & SHALL BE NO CLOSER THAN 3' TO ANY SURFACE OBSTRUCTION. (150 PSI WORKING PRESSURE - AWWA STD. C-502-73 OR LATEST REVISION) USE "MUELLER CENTURION"



**TYPICAL FIRE HYDRANT INSTALLATION**  
N.T.S.

- GENERAL NOTES:**
1. C OF F.H. BARREL SHALL BE NOT LESS THAN 6.0' OR MORE THAN 9.0' FROM BACK OF CURB OR EDGE OF DRIVING LANE.
  2. DO NOT SET F.H. IN AN EXISTING OR PROPOSED SIDEWALK, UNLESS OTHERWISE NOTED.
  3. ALL F.H. TEES SHALL BE FLANGED TE WITH ANCHORING ON THE BRANCH WITH FLANGED x M.J., M.J. 6" VALVE. RESTRAINING GLANDS EBAA SERIES 2000 OR EQUAL.
  4. SET F.H. ON THE LOT LINE EXTENDED WHEN POSSIBLE. (NOT APPLICABLE TO THIS PROJECT)
  5. SEE SPECIFICATION FH-95-1 FOR ADDITIONAL REQUIREMENTS.

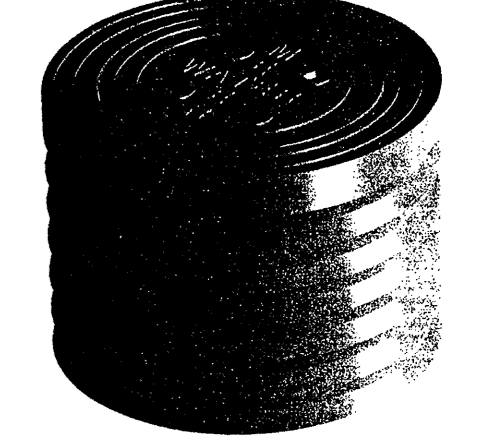
- GATE VALVES AND VALVE BOXES:**
1. GATE VALVES SHALL BE DUCTILE IRON BODY, BRONZE OR BRASS MOUNTED, NON-RISING STEM, RESILIENT WEDGE TYPE (SUCH AS MUELLER A-2360). VALVES SHALL BE OF EQUAL OR GREATER PRESSURE CLASS THAN THE PIPING IN WHICH THEY ARE TO BE INSTALLED.
  2. VALVE BOXES SHALL BE U.S.A. CAST IRON AND SHALL BE OF SUFFICIENT LENGTH AND DIAMETER TO OPERATE ALL VALVES BURIED IN THE GROUND. COVERS SHALL BE MARKED "WATER". THE BOXES SHALL REST ON THE VALVE AND BE ADJUSTED SO THAT THE COVER MAY SET FLUSH WITH THE FINISHED GRADE.
  3. VALVE DEPTH GREATER THAN 4 FEET REQUIRES VALVE EXTENSION STEM.

**GALVANIZED METER BOX WITH CAST IRON RINGS & COVERS**

**FOR 3/4" METERS**

Height	Can Weight	Total Weight
14"	35lbm	10 lbs. 99 lbs.
18"	45lbm	13 lbs. 60g
24"	50lbm	14 lbs. 60g
30"	70lbm	21 lbs. 100g
36"	81lbm	27 lbs. 120g
42"	107lbm	31 lbs. 140g
48"	121lbm	35 lbs. 160g
60"	152lbm	43 lbs. 200g
72"	182lbm	51 lbs. 230g

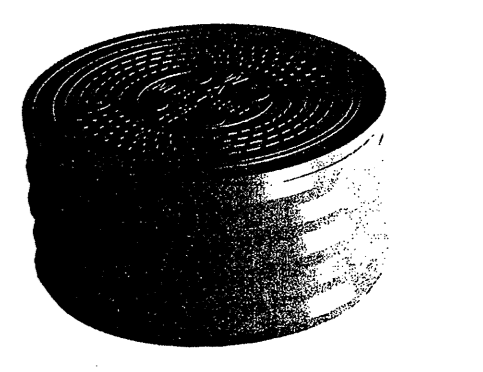
**18" Diameter Meter Can with 12" Covers & Rings**  
Available with locking, drop-in or touch reader lids



**FOR 1" METERS**

Height	Can Weight	Total Weight
14"	35lbm	14 lbs. 80g
18"	45lbm	17 lbs. 80g
24"	61lbm	23 lbs. 100g
30"	70lbm	30 lbs. 170g
36"	81lbm	33 lbs. 180g
42"	107lbm	43 lbs. 200g
48"	121lbm	48 lbs. 220g
60"	152lbm	58 lbs. 260g
72"	182lbm	72 lbs. 330g

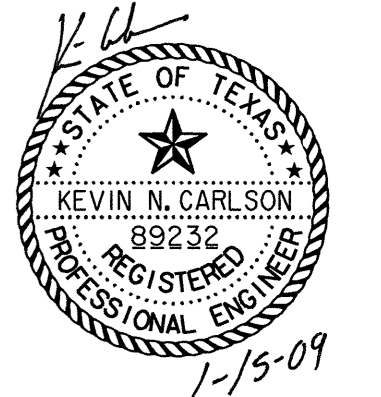
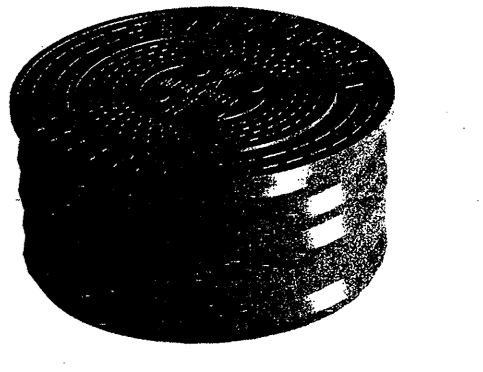
**24" Diameter Meter Can with 20" Covers & Rings**  
Available with locking or touch reader lids



**FOR 1.5-2" METERS**

Height	Can Weight	Total Weight
14"	35lbm	14 lbs. 80g
18"	45lbm	20 lbs. 80g
24"	61lbm	26 lbs. 100g
30"	70lbm	33 lbs. 140g
36"	81lbm	43 lbs. 200g
42"	107lbm	50 lbs. 230g
48"	121lbm	58 lbs. 260g
60"	152lbm	67 lbs. 300g
72"	182lbm	77 lbs. 340g

**28" Diameter Meter Can with 20" Covers & Rings**  
Available with locking or touch reader lids



**RECORD DRAWING**  
THIS DRAWING HAS BEEN MODIFIED FROM THE ORIGINAL TO SHOW ONLY THE FIELD CHANGES AND ADJUSTMENTS MADE DURING CONSTRUCTION BY THE CONTRACTOR WHICH WERE DOCUMENTED AND FURNISHED TO THE ENGINEER FOR THE PURPOSE OF PREPARING THESE RECORD DRAWINGS. FIELD INSPECTION OF CONSTRUCTION WAS PERFORMED BY OTHERS. TO THE BEST OF OUR KNOWLEDGE AND UNDERSTANDING THESE RECORD DRAWINGS REPRESENT THE "AS-BUILT" CONDITIONS.

WATER DETAILS						
QUORUM DRIVE						
TOWN OF ADDISON, TEXAS						
DESIGN	CHECKED	APPR.	SCALE	DATE	PROJECT NO.	NO.
HZ1	HZ1		N.T.S.	01/15/09		C15