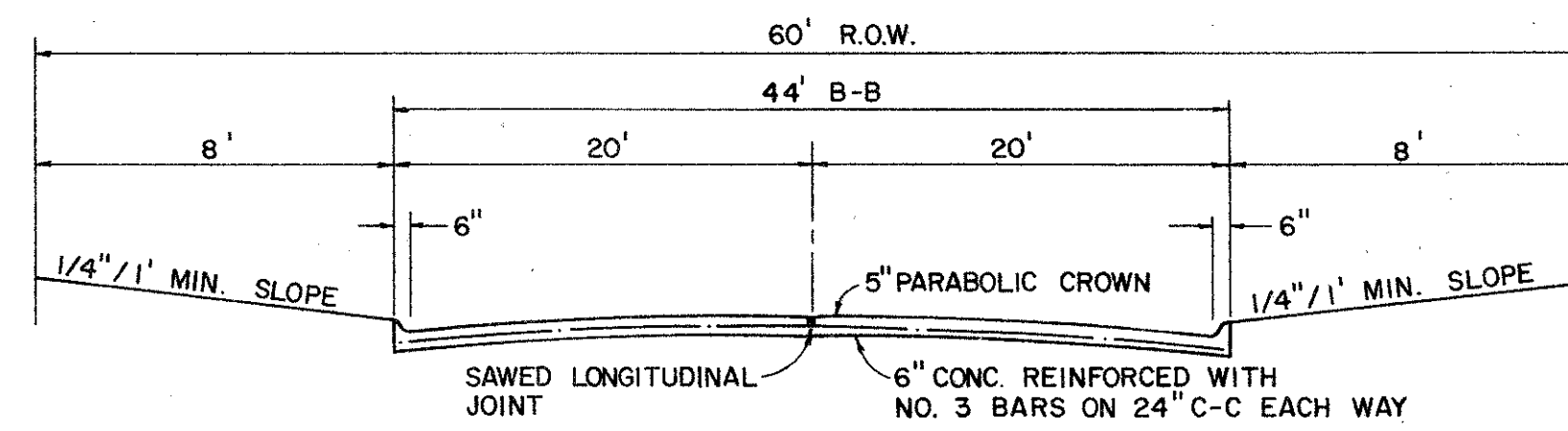
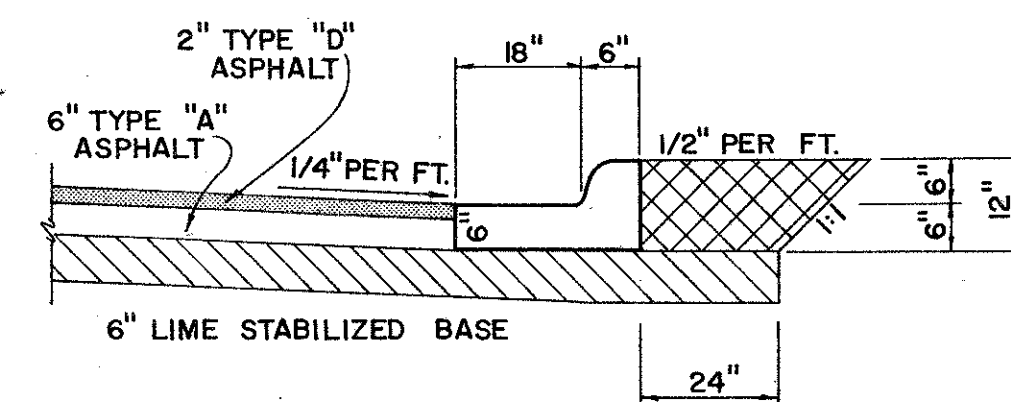


TYPICAL PAVING SECTION FOR QUORUM LOOP NORTH

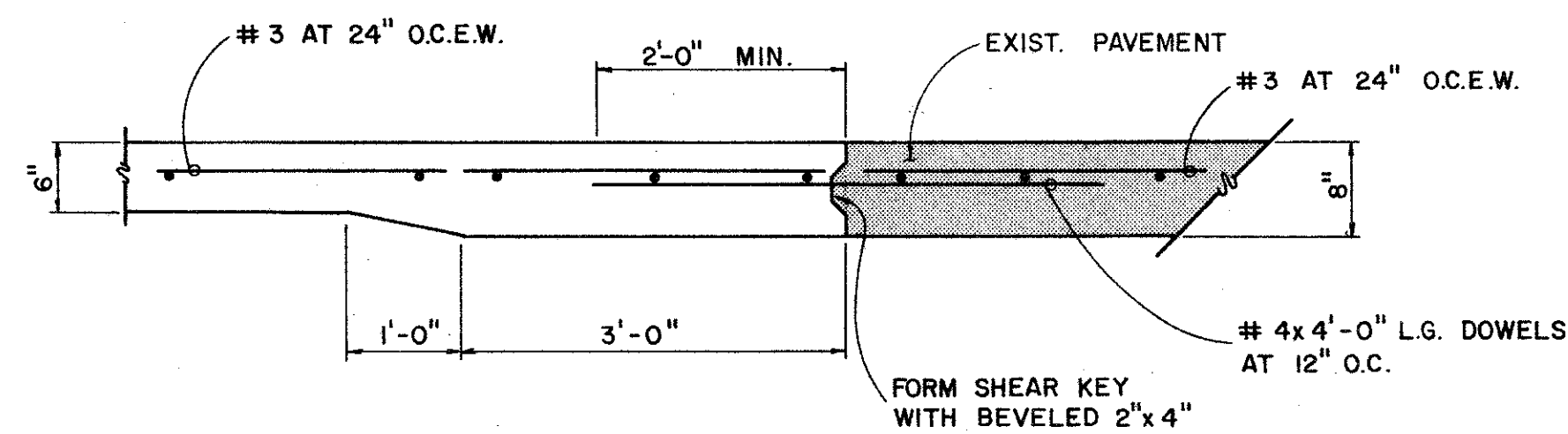
NOTE: CONCRETE SHALL BE 3,000 P.S.I. AT 28 DAYS. LIME SHALL BE SLURRY MIXED PRIOR TO APPLICATION REINFORCING SHALL BE NO. 3 AT 24" O.C.E.W.



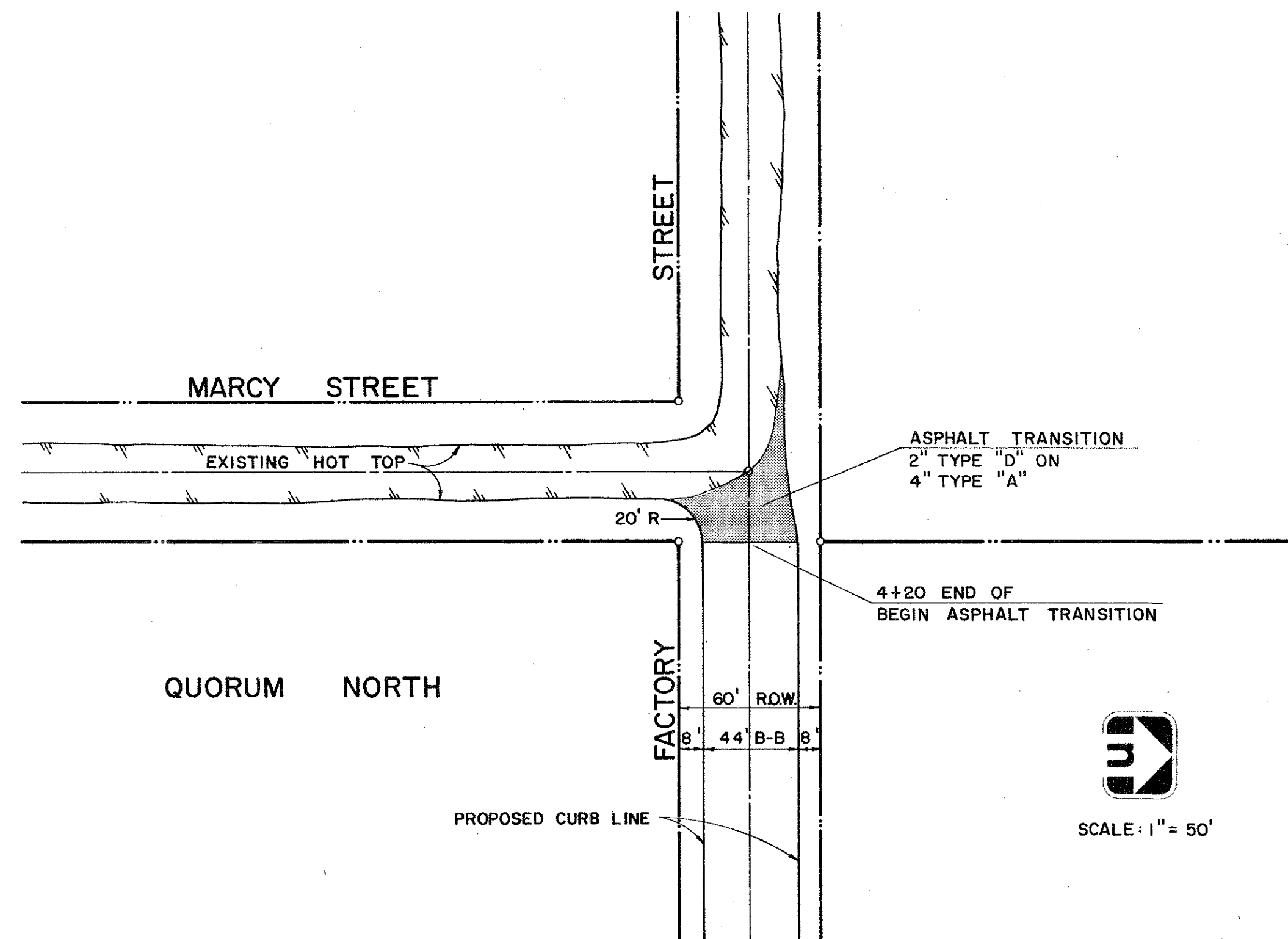
TYPICAL STREET SECTION FACTORY STREET (N.T.S.)



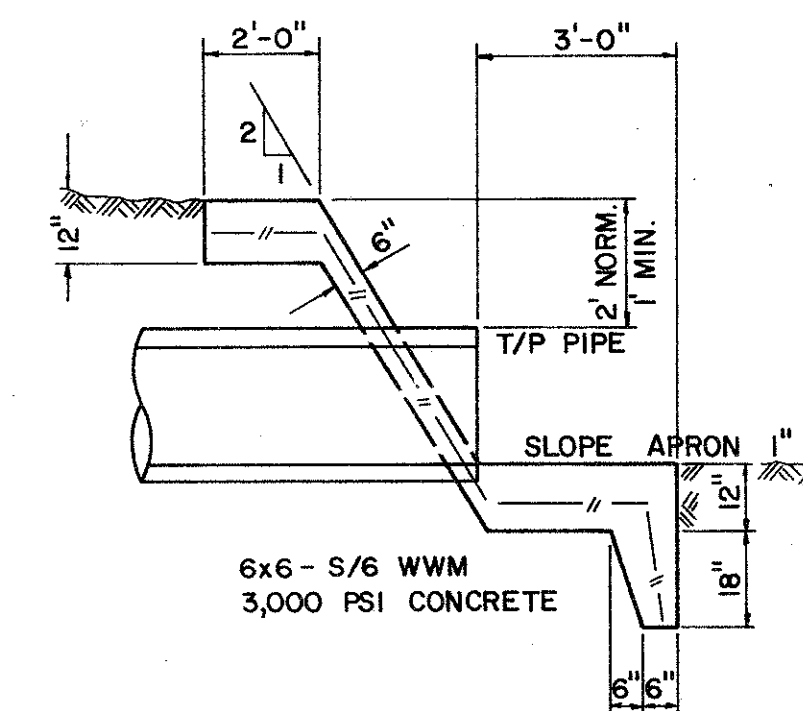
ALTERNATE ASPHALT PAVEMENT SECTION



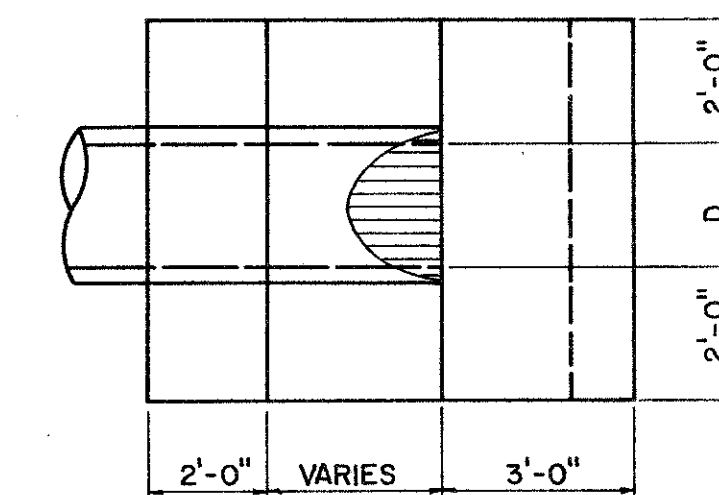
CONCRETE SECTION AT DALLAS PARKWAY TIE-INS



DETAIL OF ASPHALT TRANSITION FACTORY STREET AT MARCY STREET



SECTION

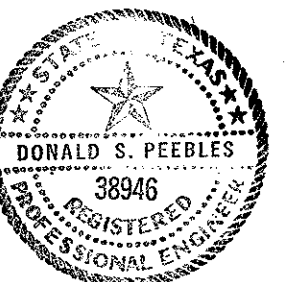


PLAN

TYPE "G" HEADWALL



SCALE: 1" = 50'



PAVING & DRAINAGE DETAILS

QUORUM NORTH  
CITY OF ADDISON, TEXAS

Graham Associates, Inc.  
CONSULTING ENGINEERS & PLANNERS

Drawn By: G.A.I. Sheet 13 Of 19

Date  
9-79  
File  
314-1441