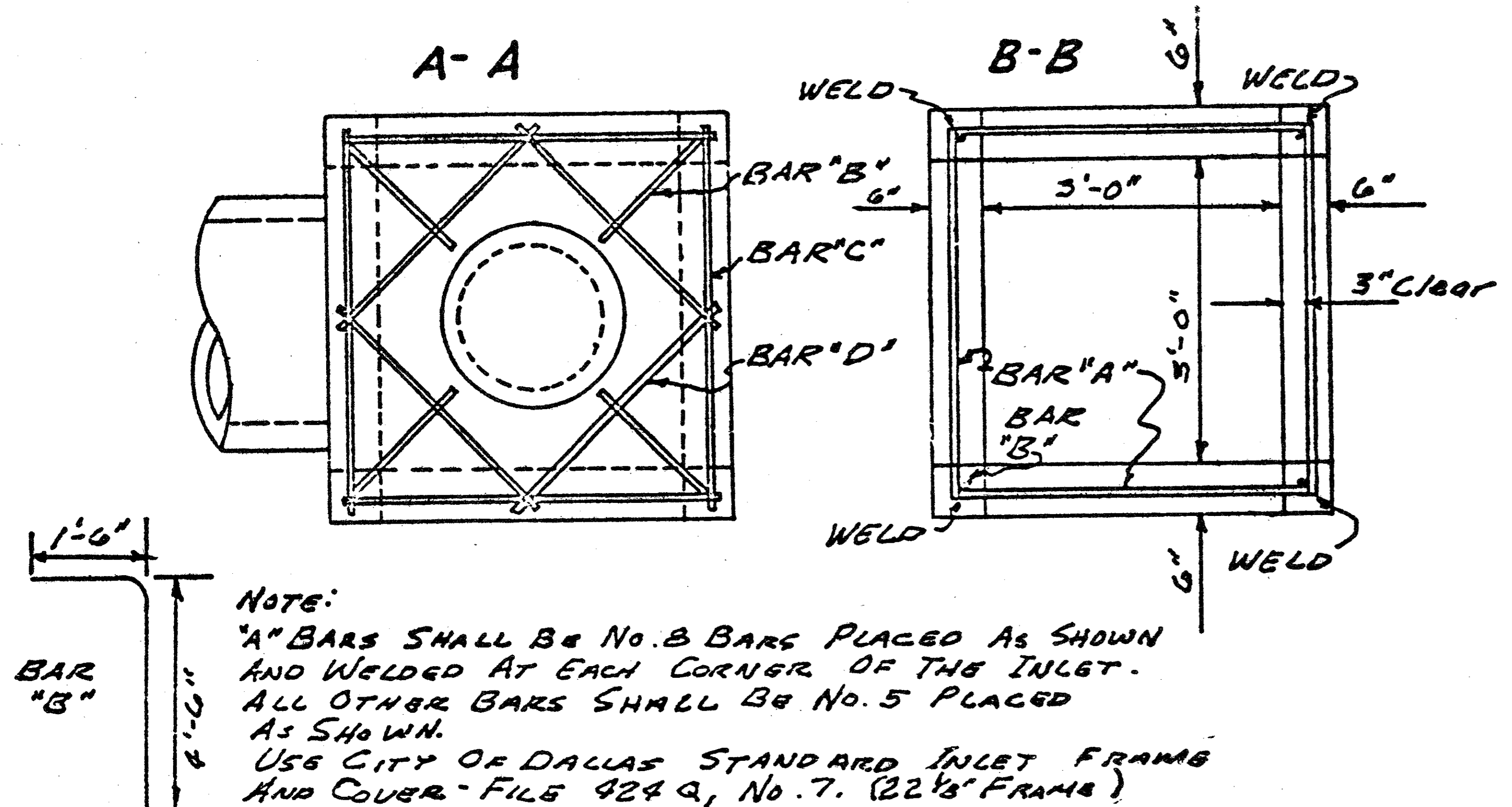
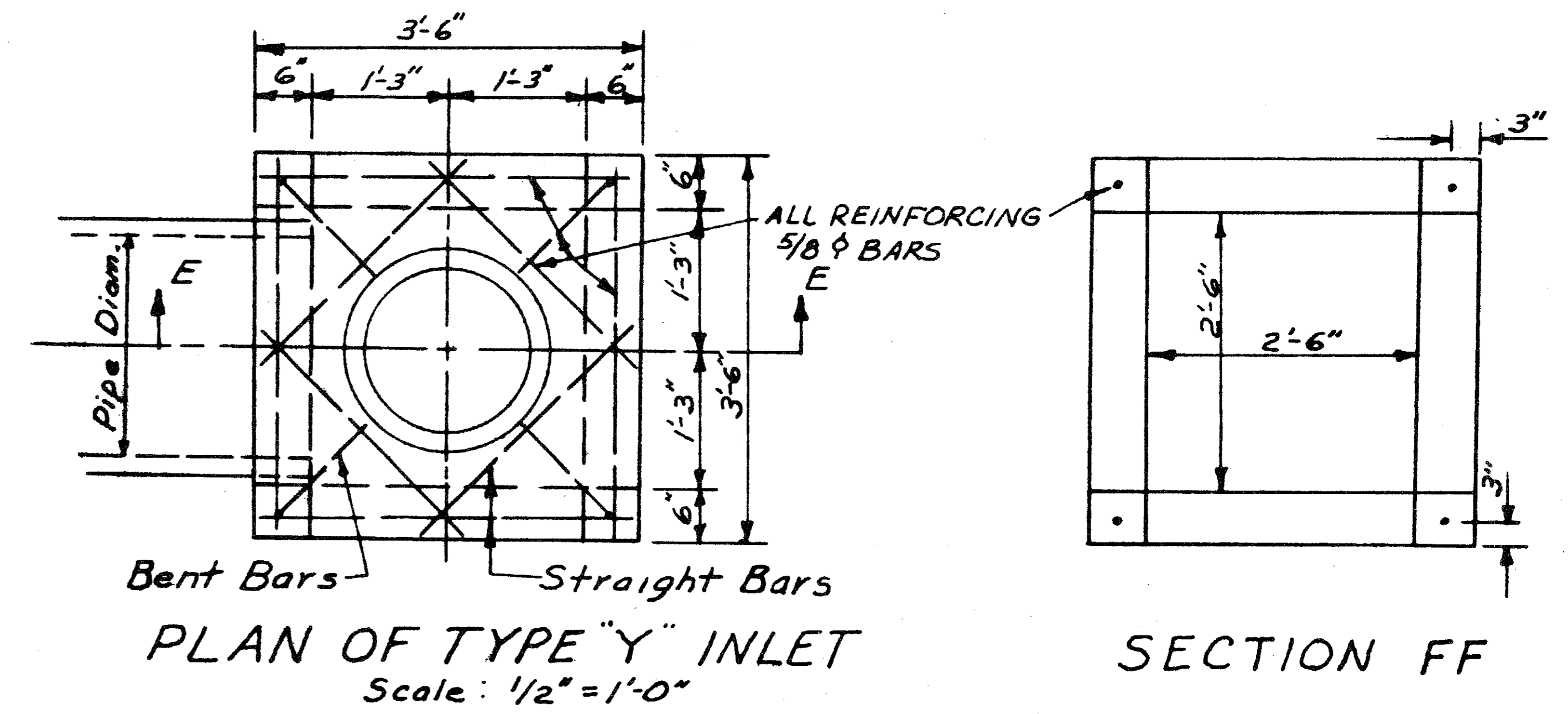
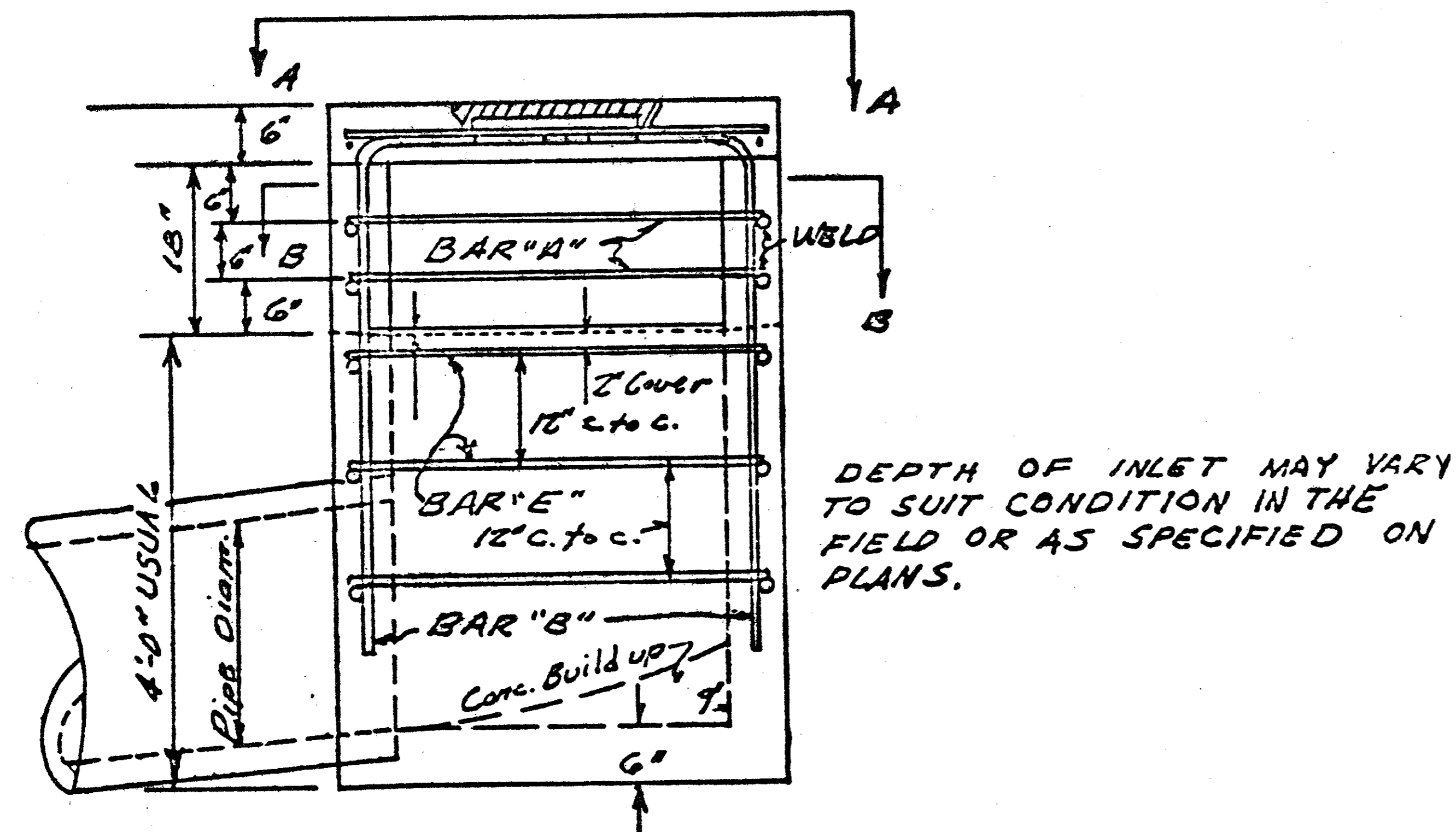


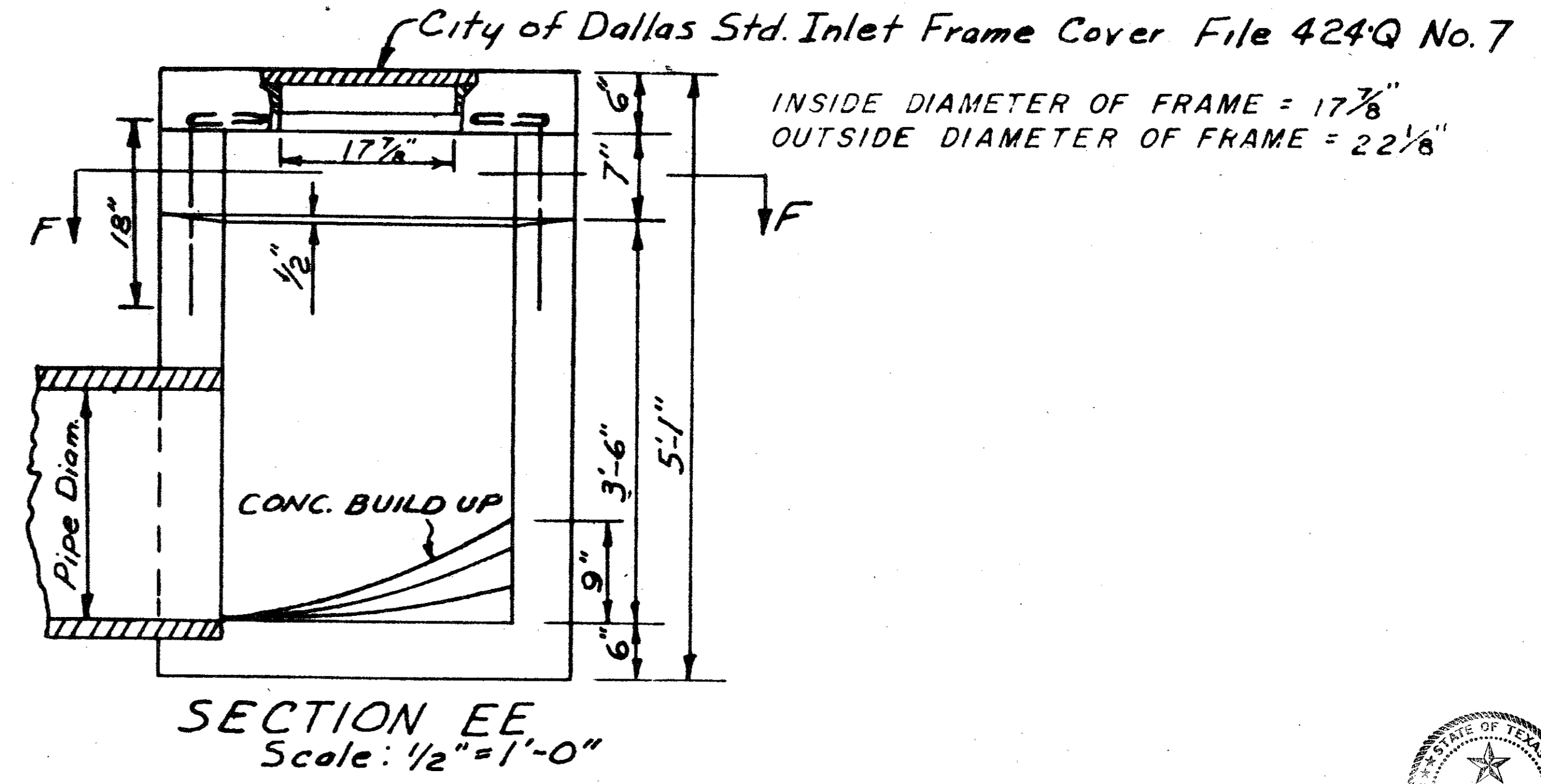
**SPECIAL "Y" INLET**  
Scale: 1/2" = 1'



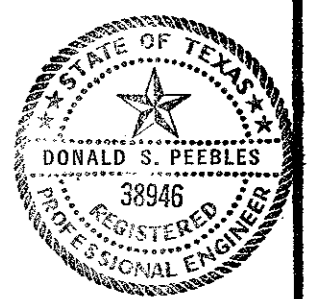
**NOTE:**  
"A" BARS SHALL BE NO. 8 BARS PLACED AS SHOWN AND WELDED AT EACH CORNER OF THE INLET. ALL OTHER BARS SHALL BE NO. 5 PLACED AS SHOWN.  
USE CITY OF DALLAS STANDARD INLET FRAME AND COVER - FILE 424 Q, No. 7. (22 1/8" FRAME)



PLAN OF TYPE "Y" INLET  
Scale: 1/2" = 1'-0"



SECTION EE  
Scale: 1/2" = 1'-0"



QUORUM NORTH  
All CONC. TO BE 3000 P.S.I.  
Rev: 5-6-52 Reduce Throat Opening

STANDARD CITY OF ADDISON					
TYPE "Y" INLET					
DEPARTMENT OF PUBLIC WORKS					
DRAWN	TRACED	DATE	SCALE	FILE	SHEET
H.C.	R.E.H.	9-7-79	NO. ED	424	17 of 19