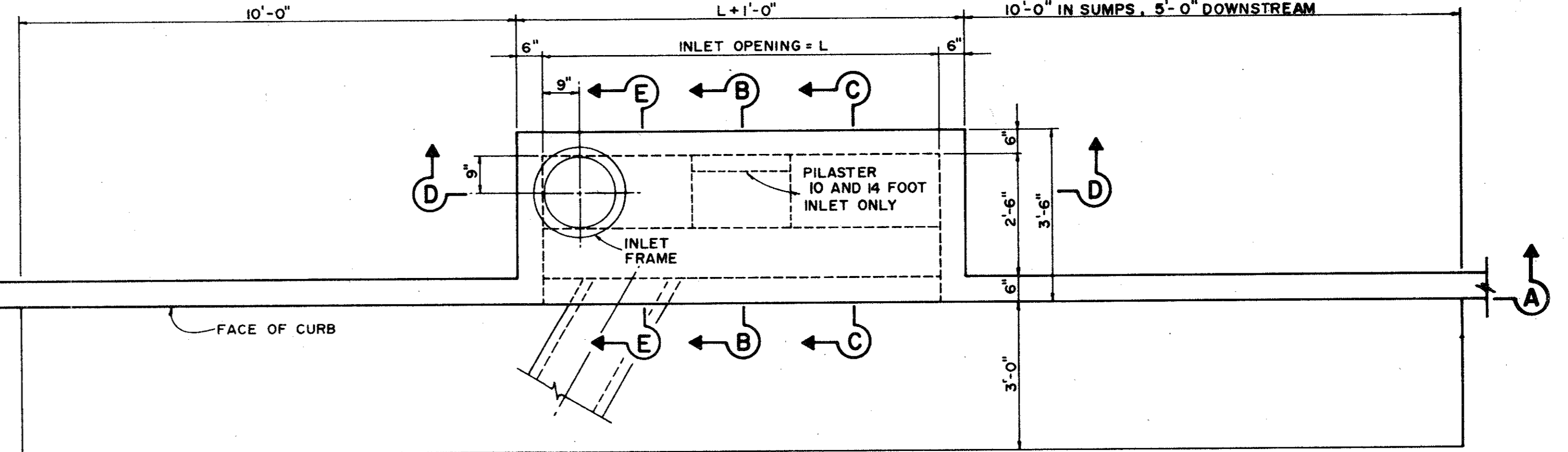
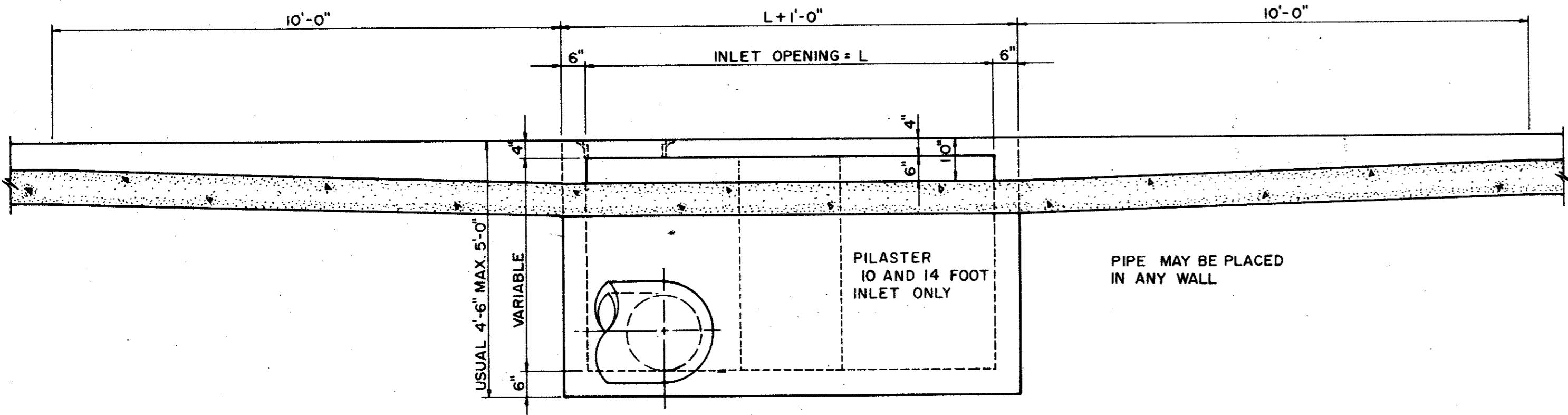


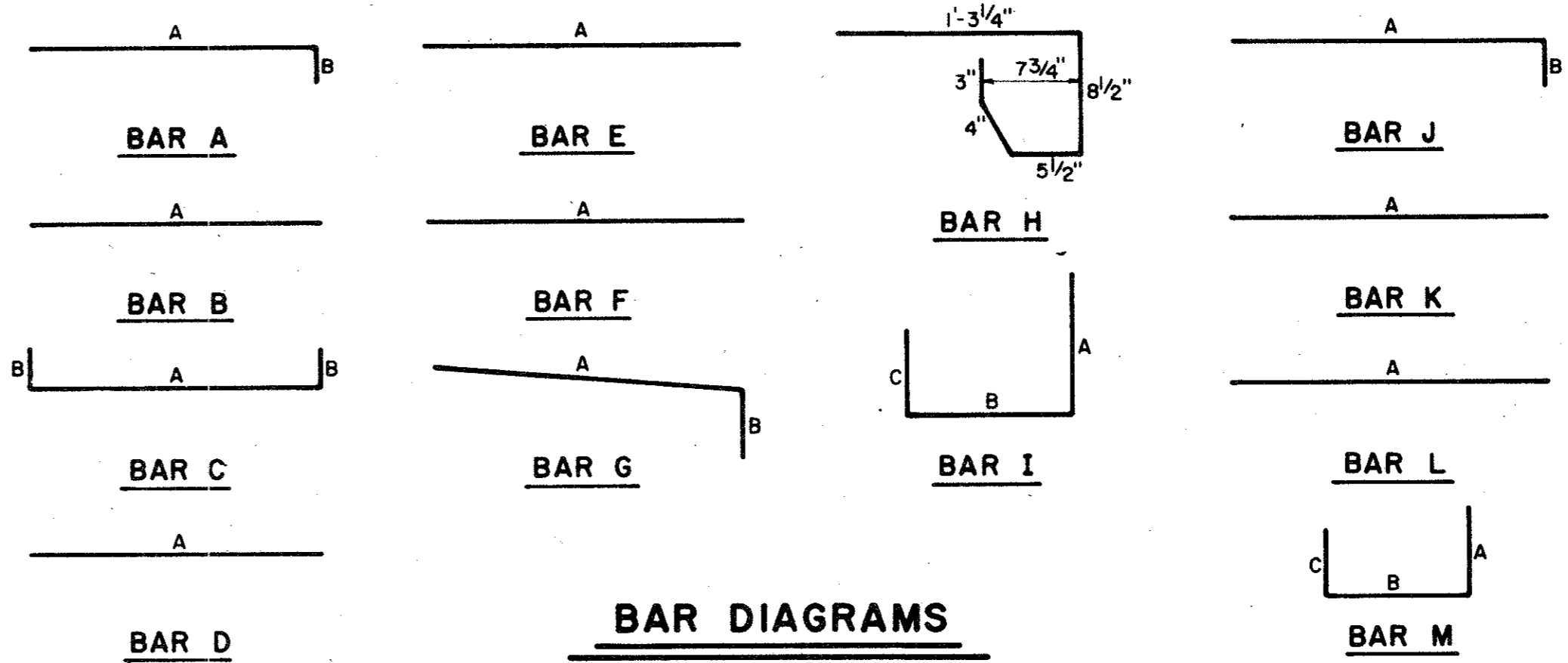
PLAN - RECESSED INLET



PLAN - STANDARD INLET



SECTION A-A-RECESSED AND STANDARD INLETS
5, 10, AND 14 FOOT INLETS



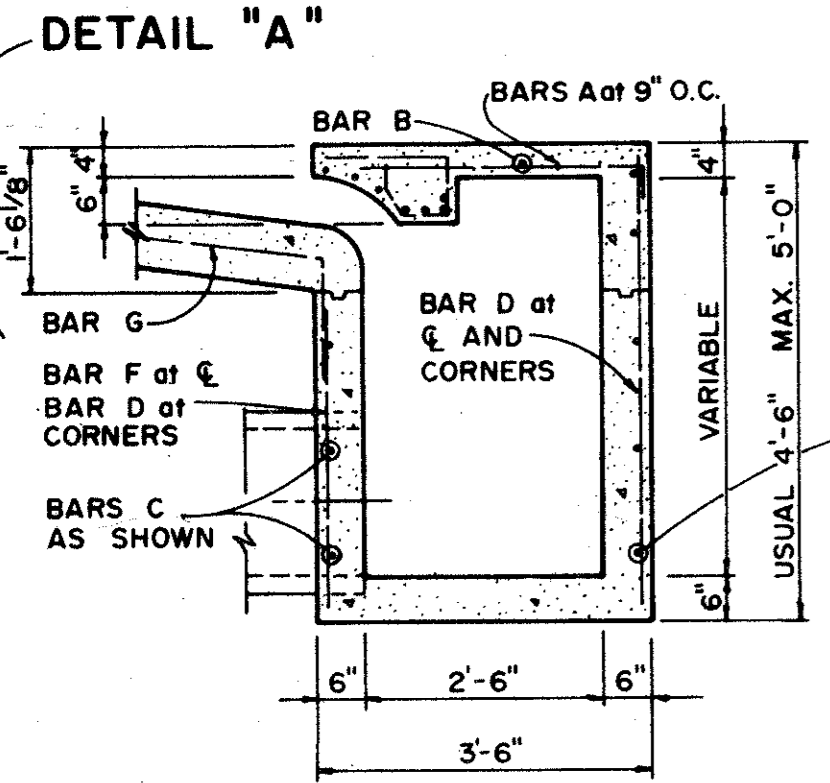
BAR DIAGRAMS

REINFORCING STEEL SCHEDULE

DIMENSIONS SHOWN ARE FOR MAXIMUM SIZE INLETS

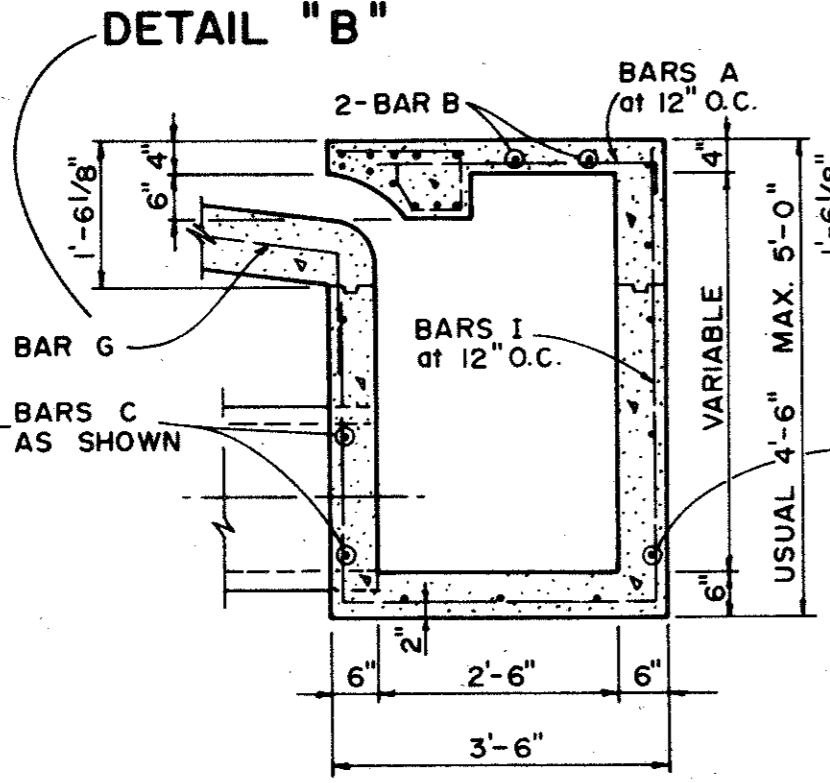
| INLET LENGTH | BAR TYPE | BAR DIA. (1/8 IN.) | NO. REQ'D | BAR DIMENSIONS | | |
|--------------|----------|--------------------|-----------|----------------|-------|-------|
| | | | | A | B | C |
| 5 | A | 3 | 9 | 3'-2" | 0'-3" | - |
| | B | 3 | 1 | 3'-10" | - | - |
| | C | 4 | 15 | 5'-8" | 0'-6" | - |
| | D | 4 | 5 | 4'-8" | - | - |
| | F | 4 | 1 | 3'-2" | - | - |
| | G | 3 | 5 | 2'-0" | 1'-3" | - |
| | H | 3 | 3 | * | * | * |
| 10 | A | 3 | 10 | 3'-2" | - | - |
| | B | 3 | 2 | 8'-10" | - | - |
| | C | 4 | 16 | 10'-8" | 0'-6" | - |
| | D | 4 | 4 | 4'-8" | - | - |
| | E | 5 | 6 | 10'-8" | - | - |
| | G | 3 | 5 | 2'-0" | 1'-3" | - |
| | H | 3 | 3 | * | * | * |
| | I | 4 | 8 | 4'-8" | 3'-2" | 3'-2" |
| | J | 5 | 9 | 3'-2" | 1'-3" | - |
| | K | 4 | 5 | 2'-3" | - | - |
| | L | 4 | 5 | 4'-3" | - | - |
| | M | 5 | 9 | 4'-3" | 3'-2" | 3'-9" |
| 14 | A | 3 | 14 | 3'-2" | 0'-3" | - |
| | B | 3 | 2 | 10'-10" | - | - |
| | C | 4 | 16 | 14'-8" | 0'-6" | - |
| | D | 4 | 4 | 4'-8" | - | - |
| | E | 5 | 6 | 14'-8" | - | - |
| | G | 3 | 5 | 2'-0" | 1'-3" | - |
| | H | 3 | 21 | * | * | * |
| | I | 4 | 12 | 4'-8" | 3'-2" | 3'-2" |
| | J | 5 | 9 | 3'-2" | 1'-3" | - |
| | K | 4 | 5 | 2'-3" | - | - |
| | L | 4 | 5 | 4'-3" | - | - |
| | M | 5 | 9 | 4'-3" | 3'-2" | 3'-9" |

* SEE D. AGRAM FOR DIMENSIONS



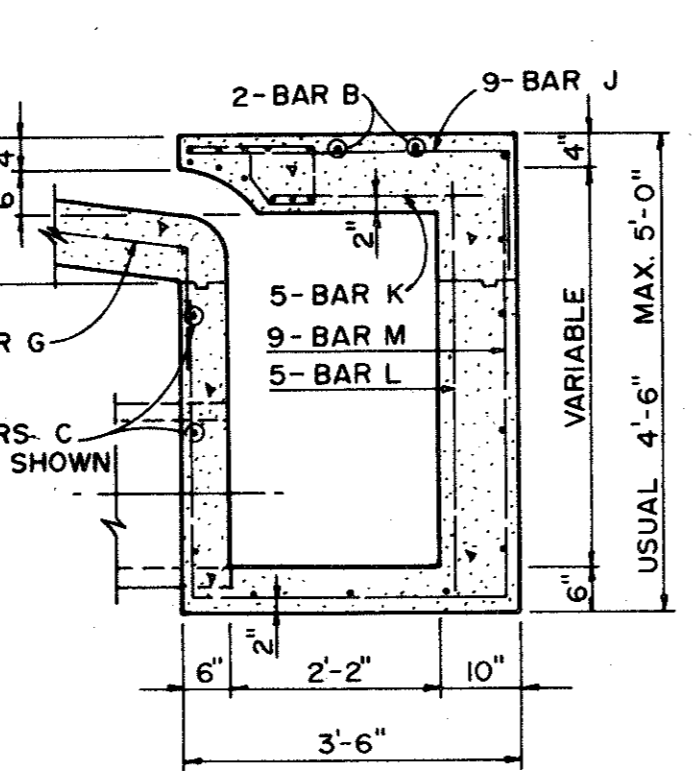
SECTION E-E

5 FOOT INLET

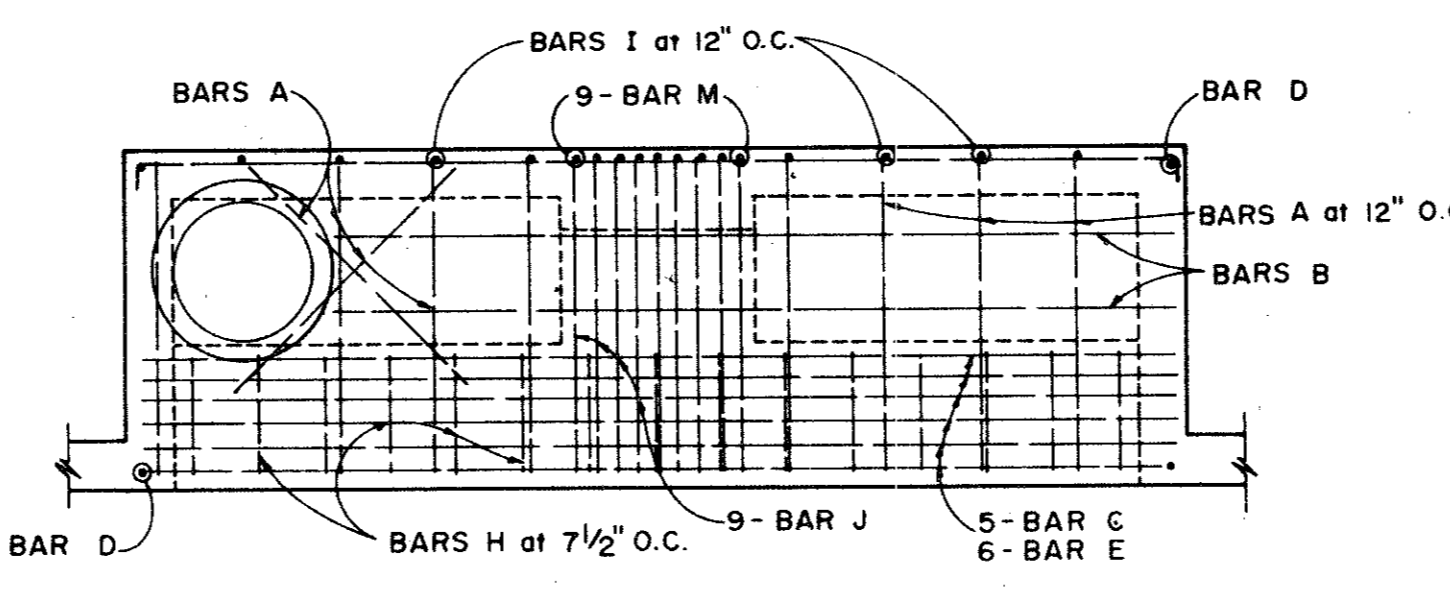


SECTION C-C

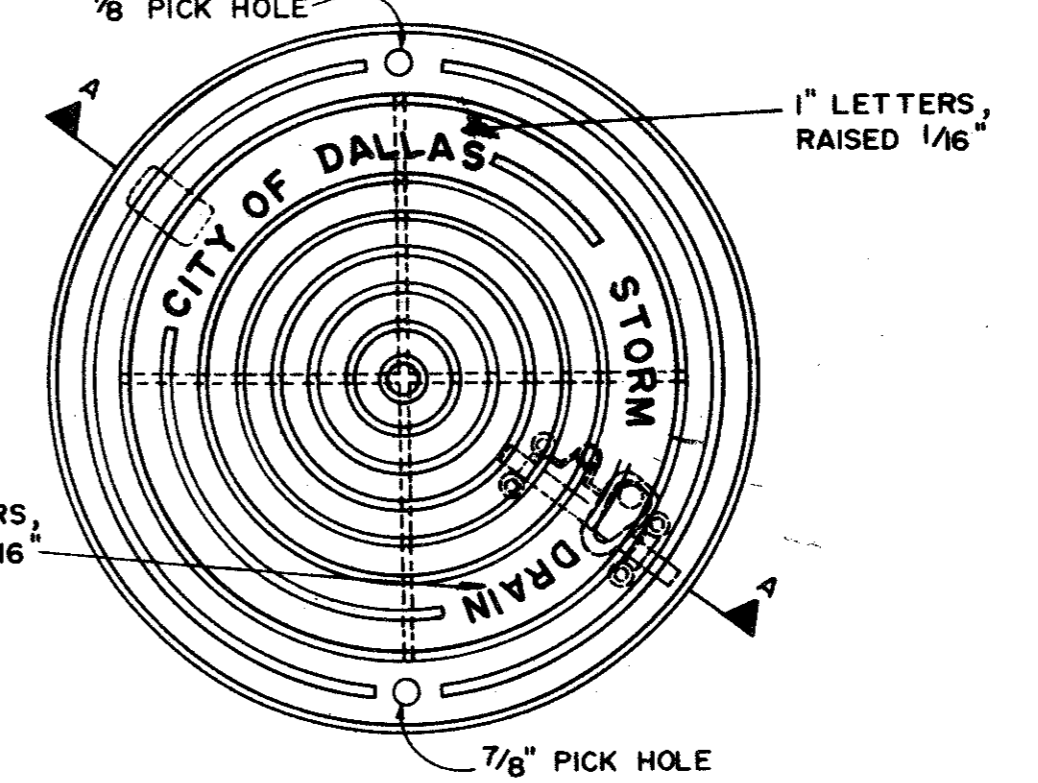
10 AND 14 FOOT INLETS



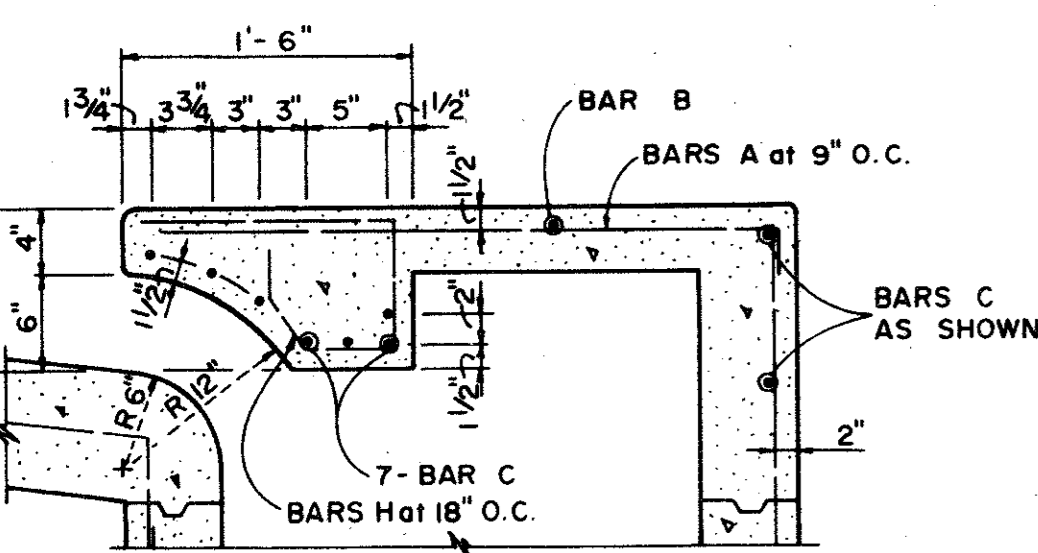
SECTION B-B



PLAN

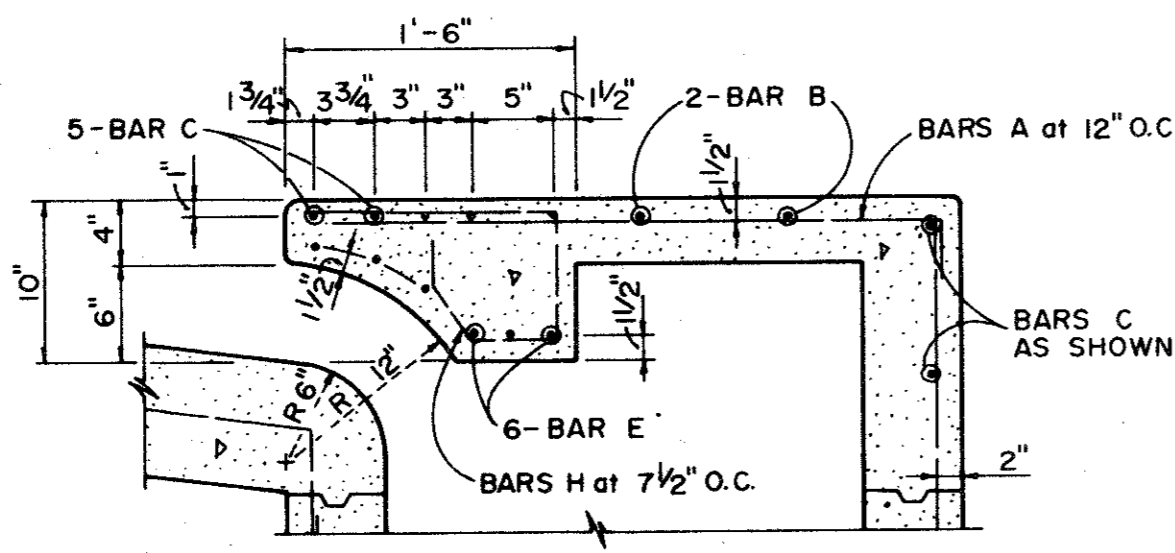


PLAN OF FRAME



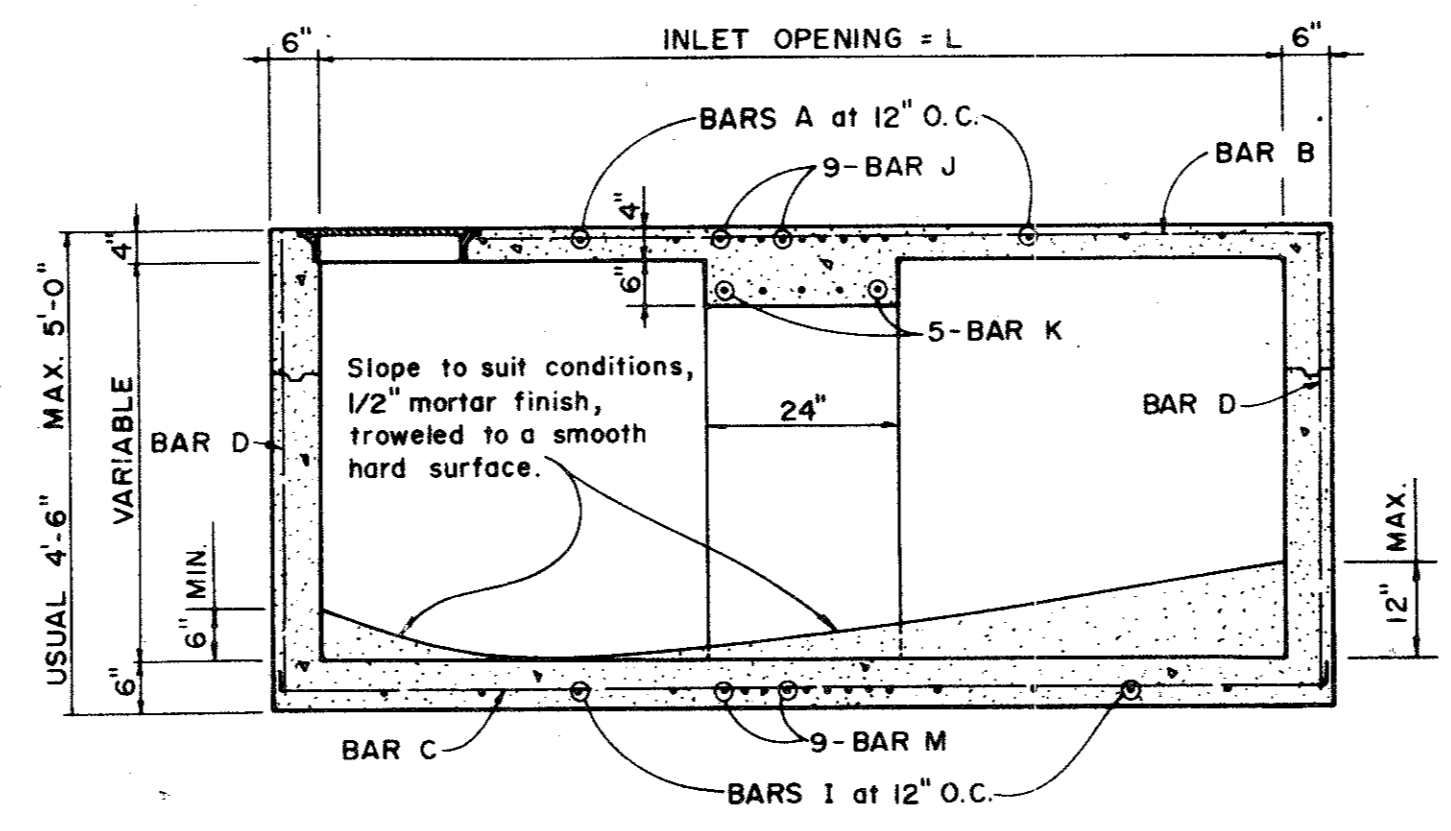
DETAIL 'A'

5 FOOT INLET

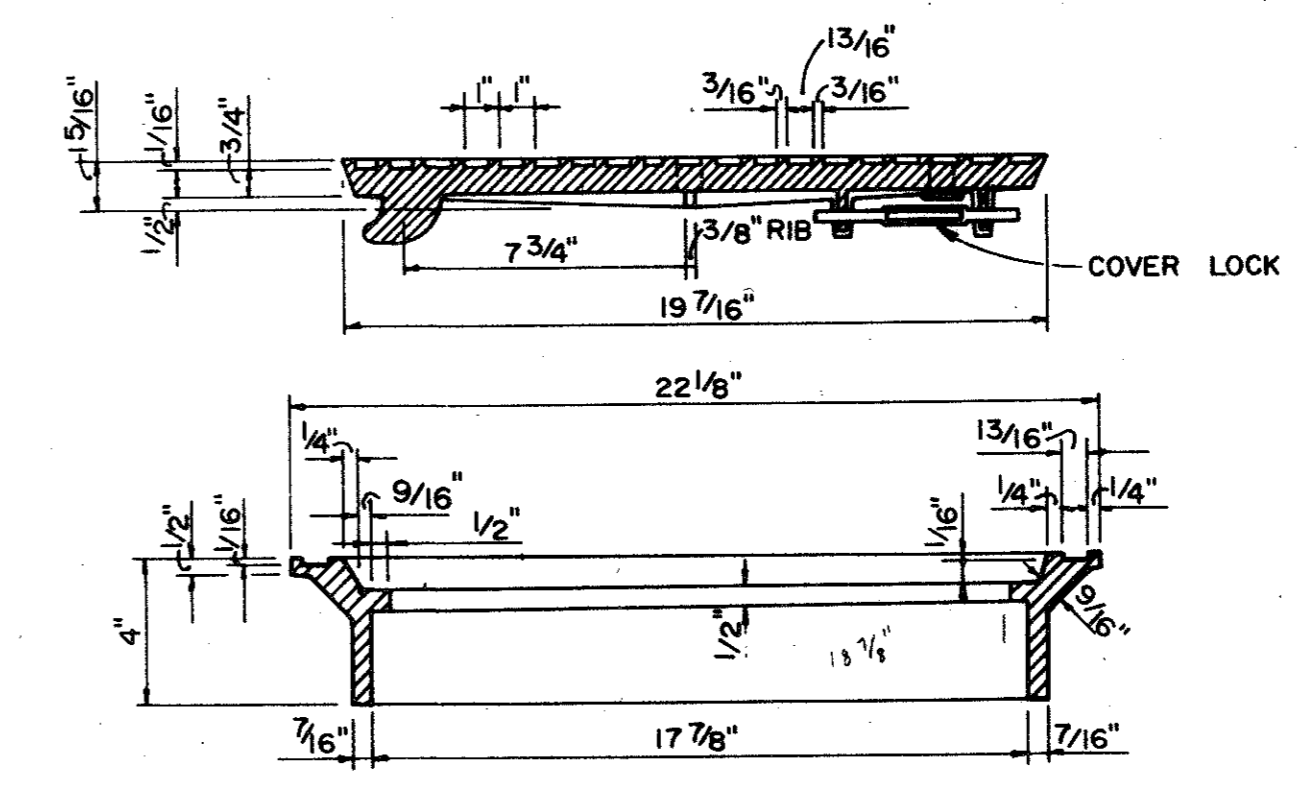


DETAIL 'B'

10 AND 14 FOOT INLETS

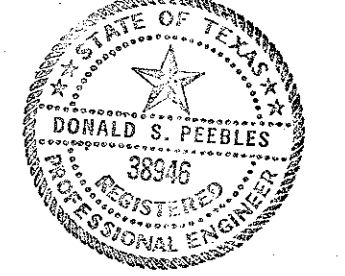


SECTION D-D



SECTION OF FRAME AND COVER

INLET FRAME AND COVER



QUORUM NORTH

STANDARD CONSTRUCTION DETAILS

STANDARD (TYPE I) AND RECESSED (TYPE II) INLETS

DEPARTMENT OF PUBLIC WORKS

CITY OF ADDISON, TEXAS

| DESIGN | DRAWN | DATE | SCALE | NOTES | FILE | SHEET NO. |
|--------|-------|--------|-------|-------|-------|-----------|
| WSP | | 9-7-79 | NONE | | 424 Q | 19 of 19 |