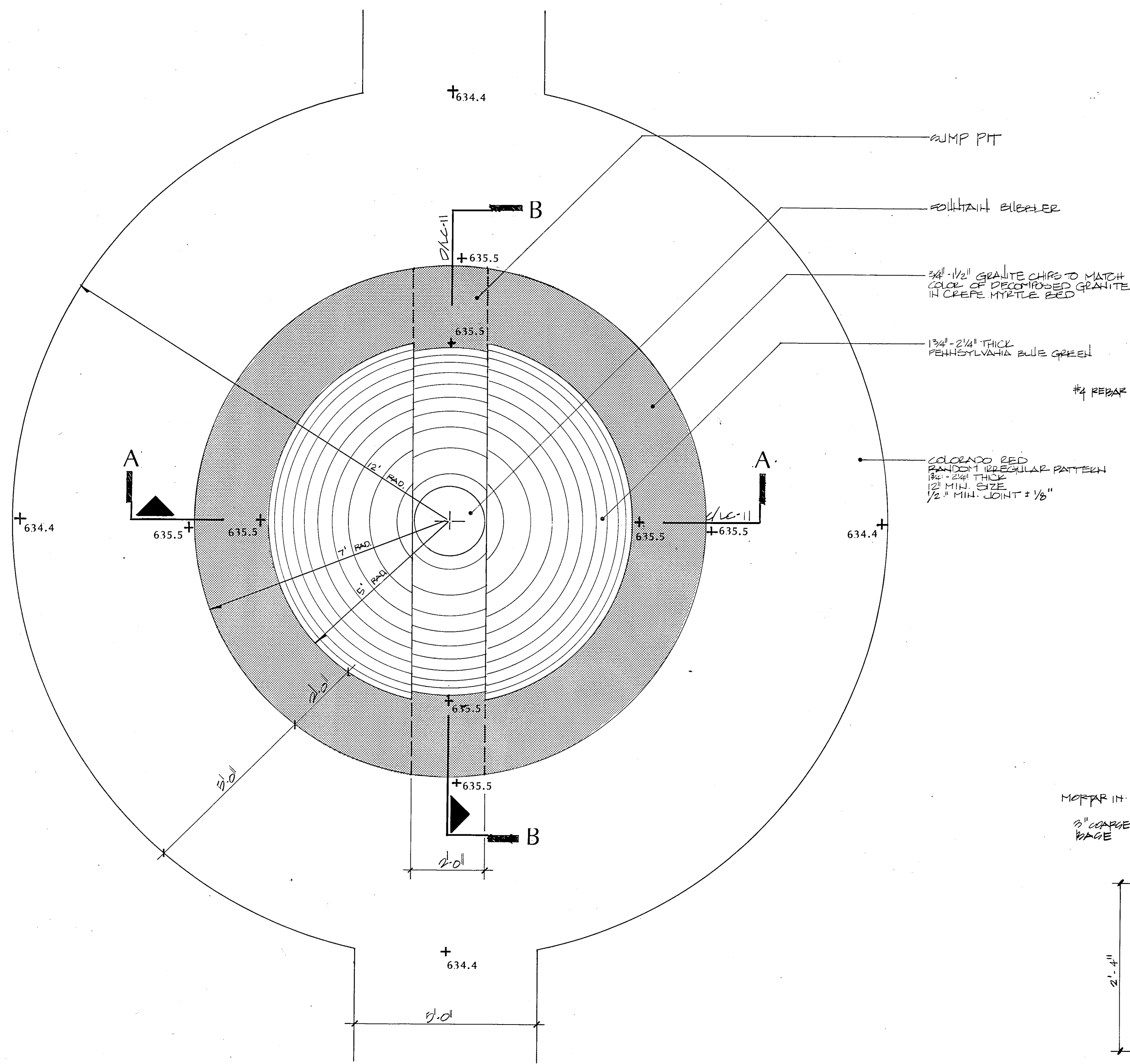


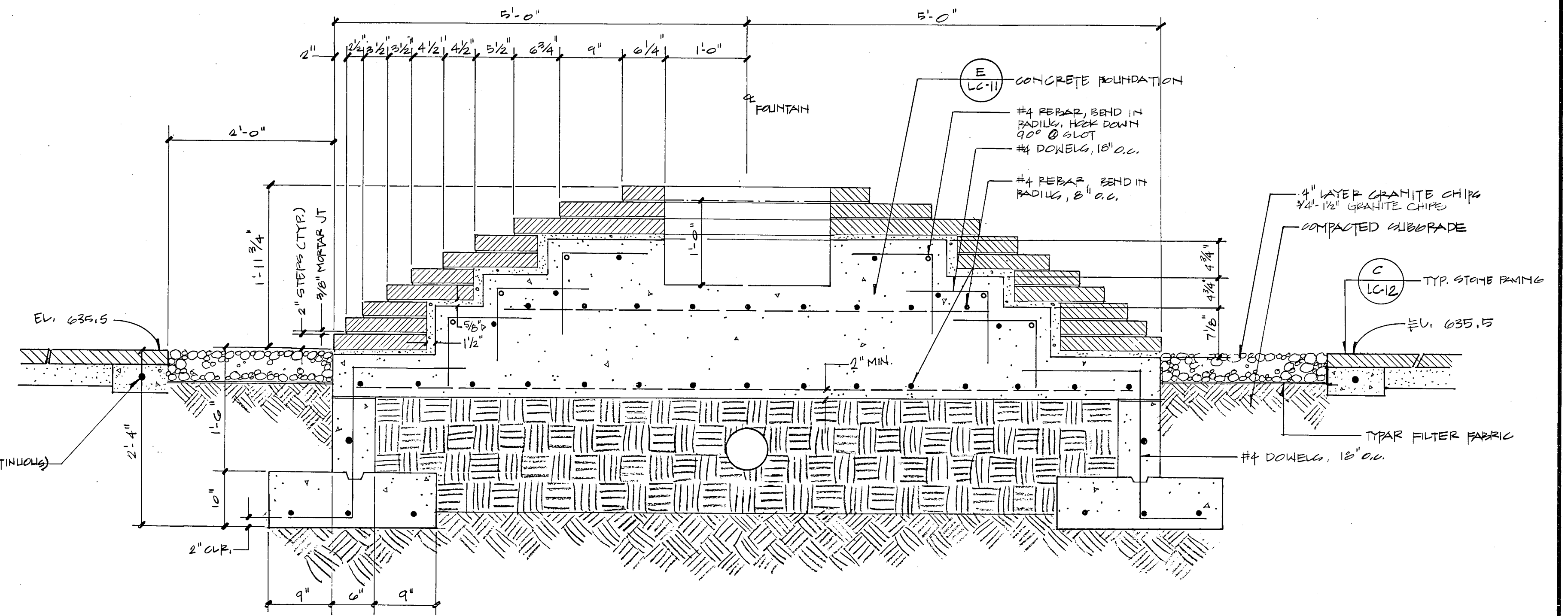
PRELIMINARY	
ISSUE DATE	29 JAN. 1990
REVISIONS	

PROJECT NO.	88019
DRAWN BY	SG
CHECKED BY	SG
SCALE	
SHEET NO.	



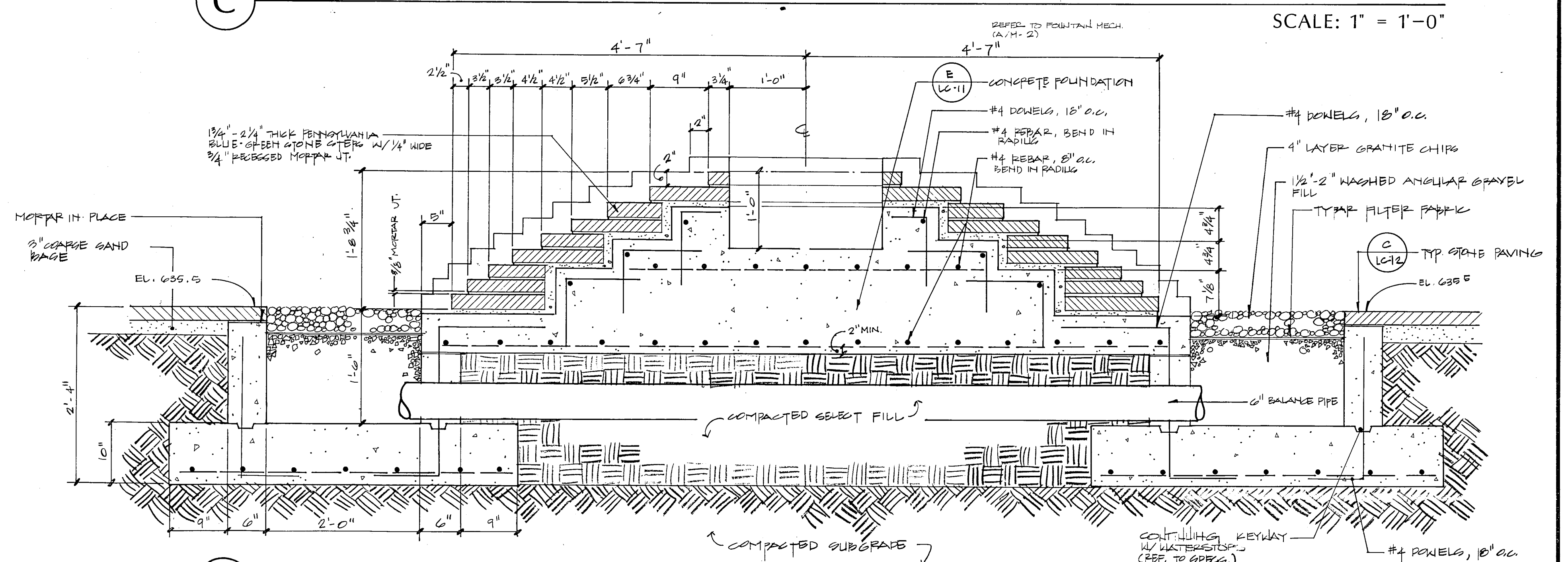
A FOUNTAIN LAYOUT AND GRADING

SCALE: 1/2" = 1'-0"



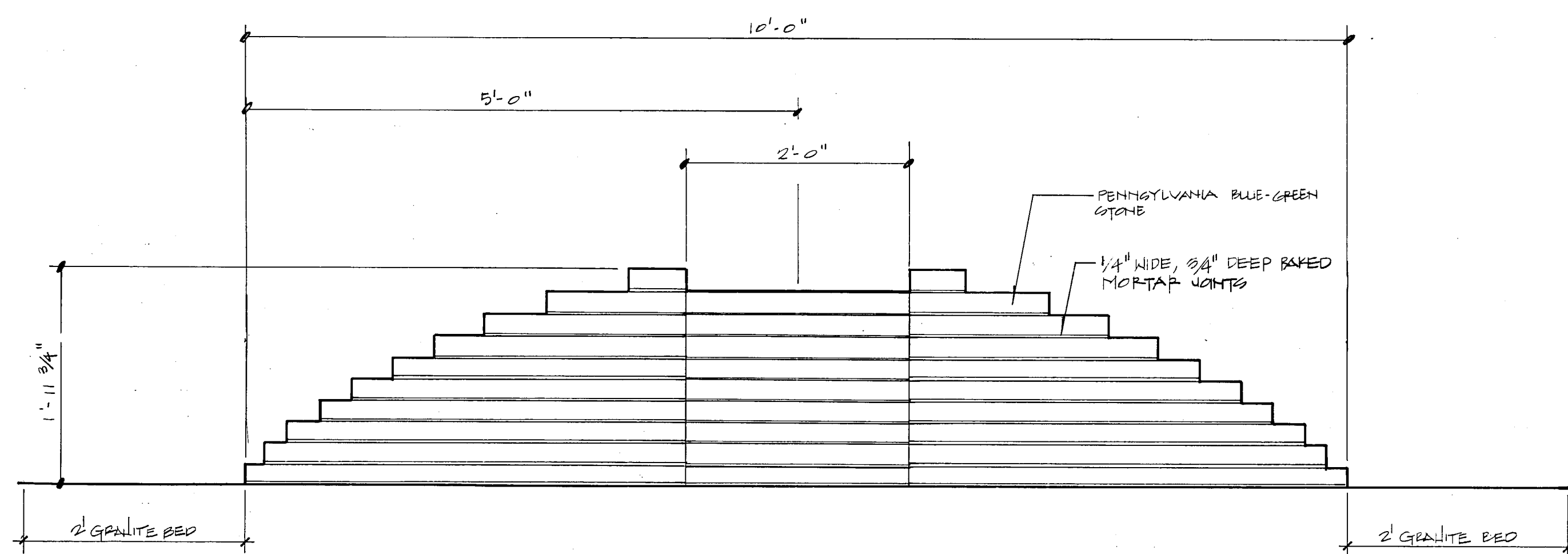
C SECTION A-A

SCALE: 1" = 1'-0"



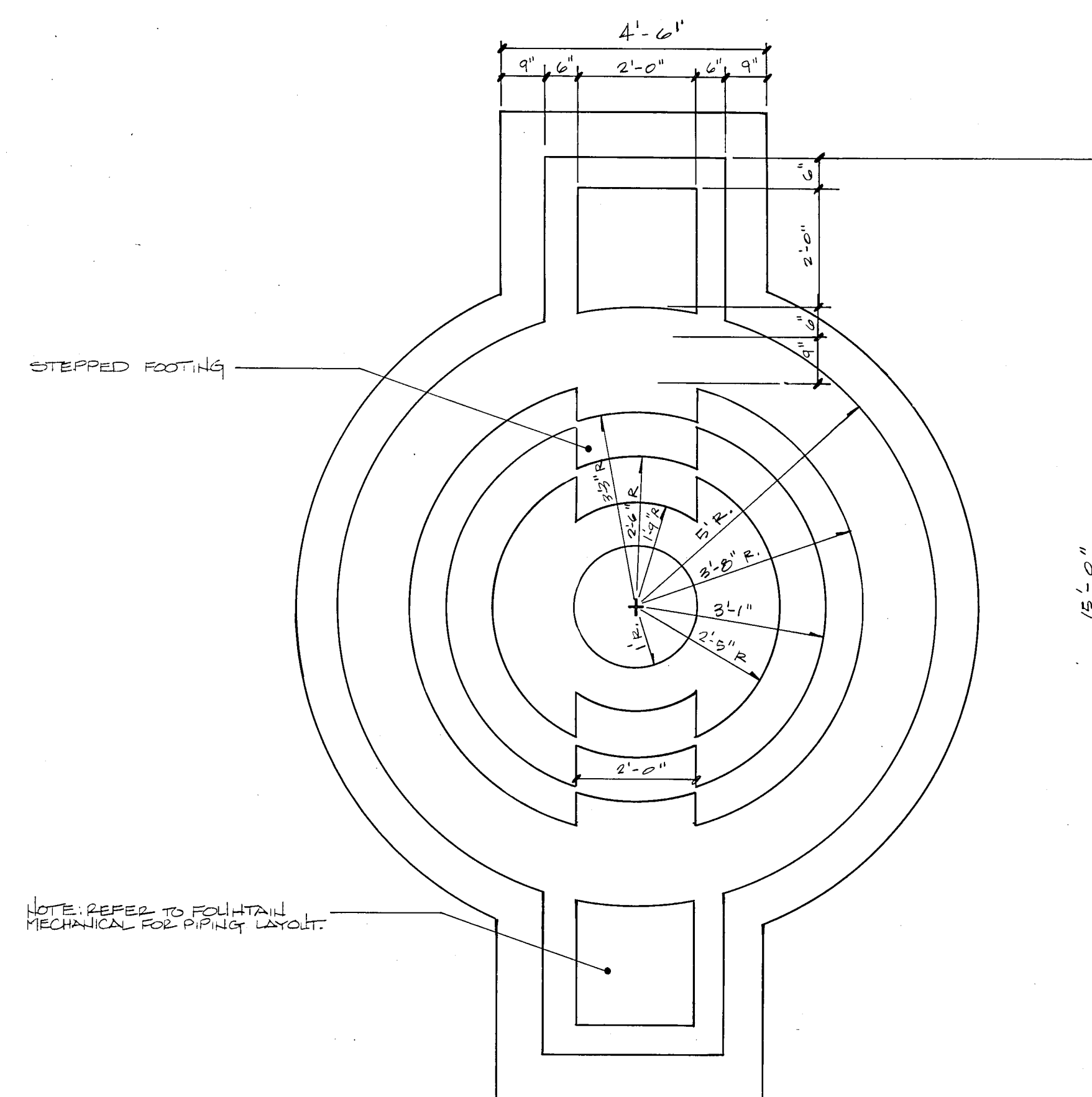
D SECTION B-B

SCALE: 1" = 1'-0"



B ELEVATION: FOUNTAIN

SCALE: 1" = 1'-0"



E FOUNTAIN FOUNDATION LAYOUT

SCALE: 1/2" = 1'-0"