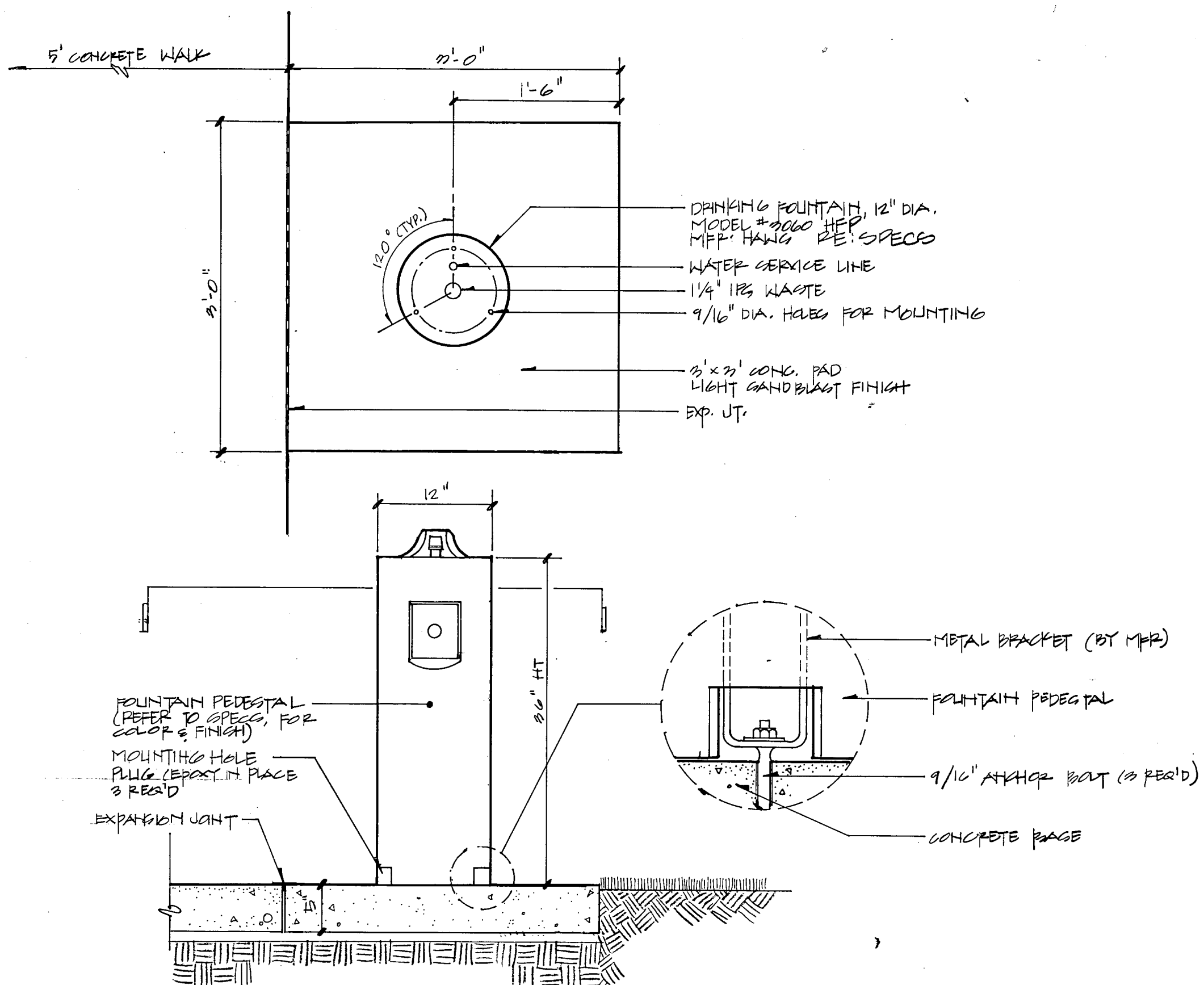


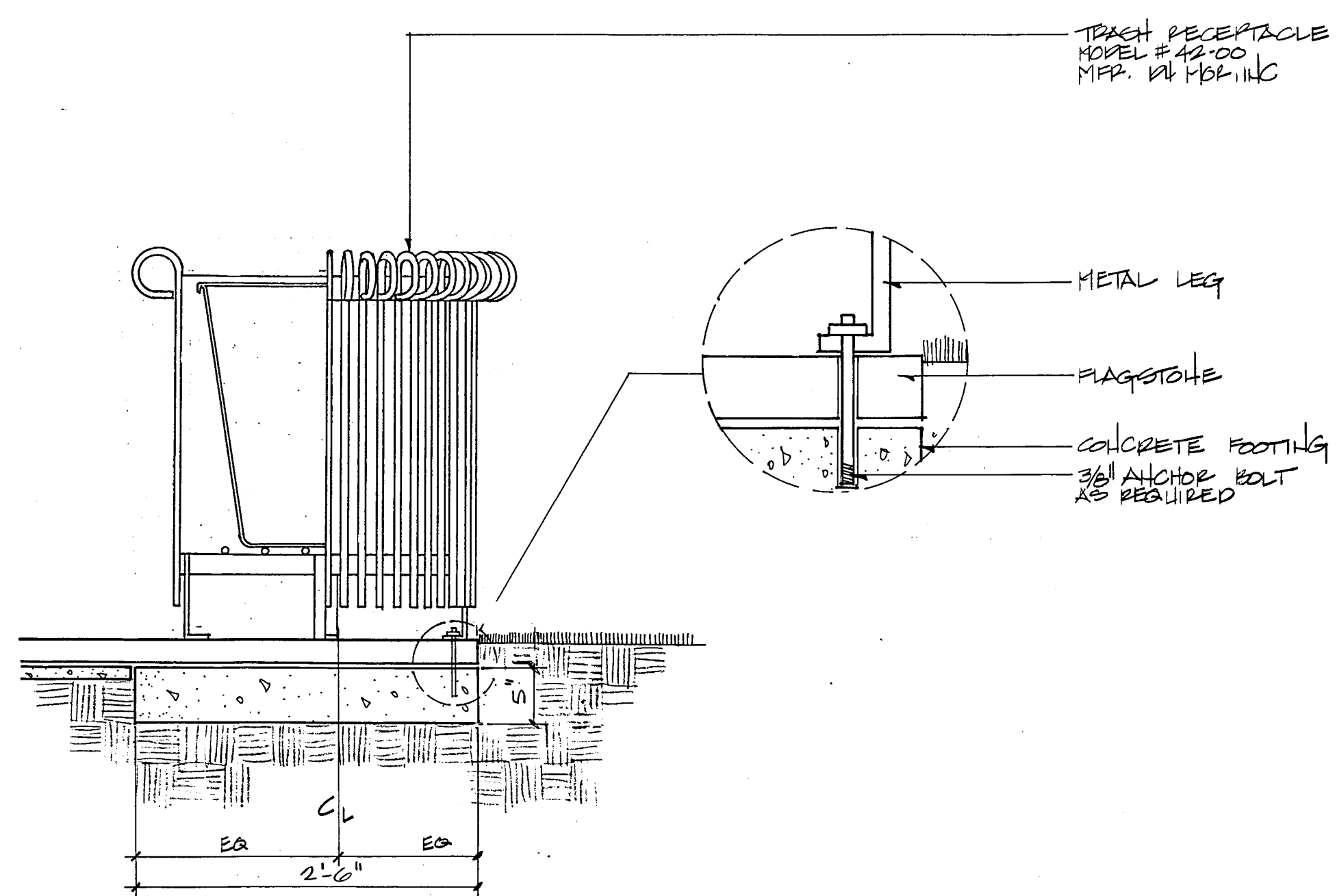
PRELIMINARY
ISSUE DATE 29 JAN 1990
REVISIONS

PROJECT NO. 88019
DRAWN BY SG
CHECKED BY
SCALE
SHEET NO.



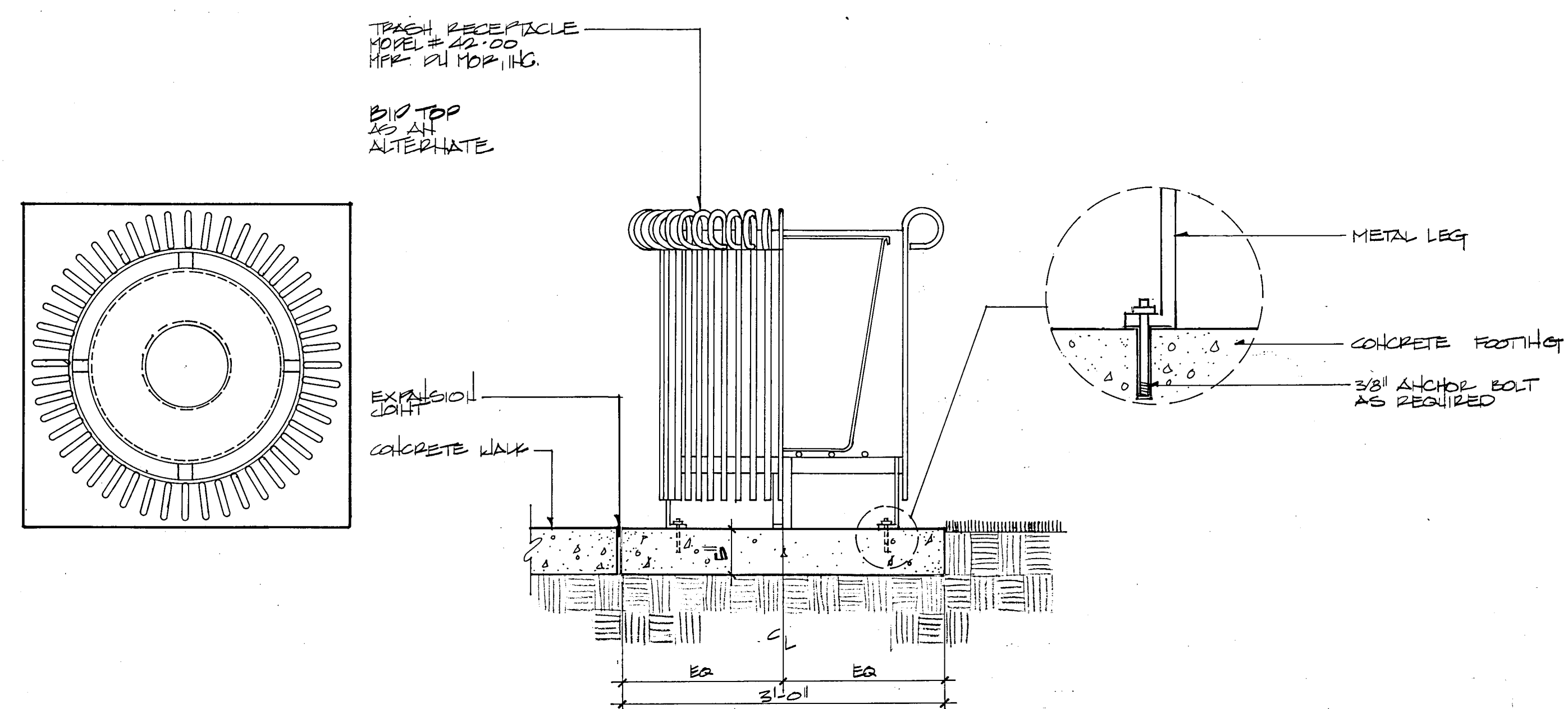
A DRINKING FOUNTAIN

SCALE: 1" = 1'-0"



B TRASH RECEPTACLE ON FLAGSTONE

SCALE: 1" = 1'-0"



C TYPICAL TRASH RECEPTACLE FOOTING

SCALE: 1" = 1'-0"