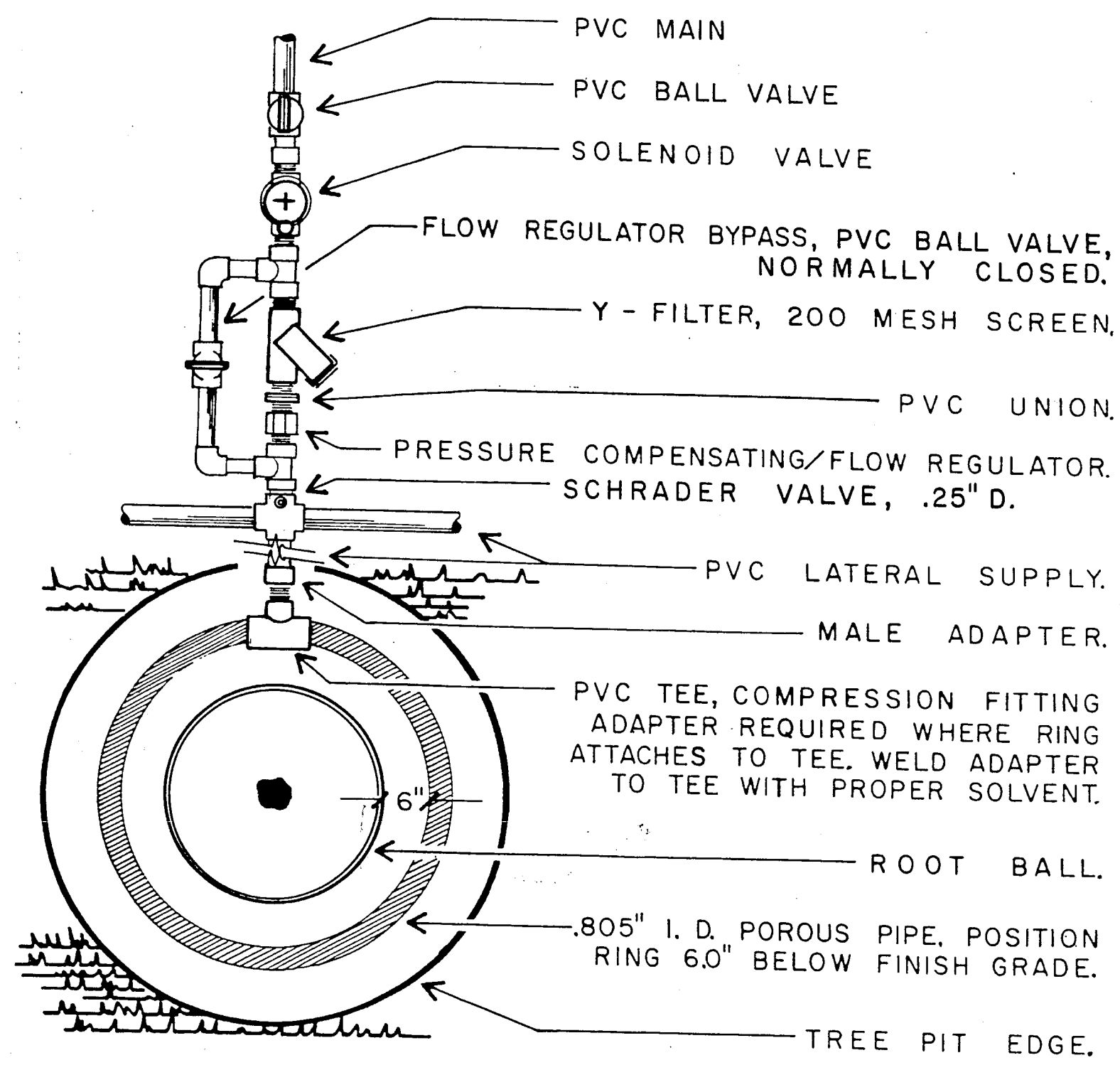
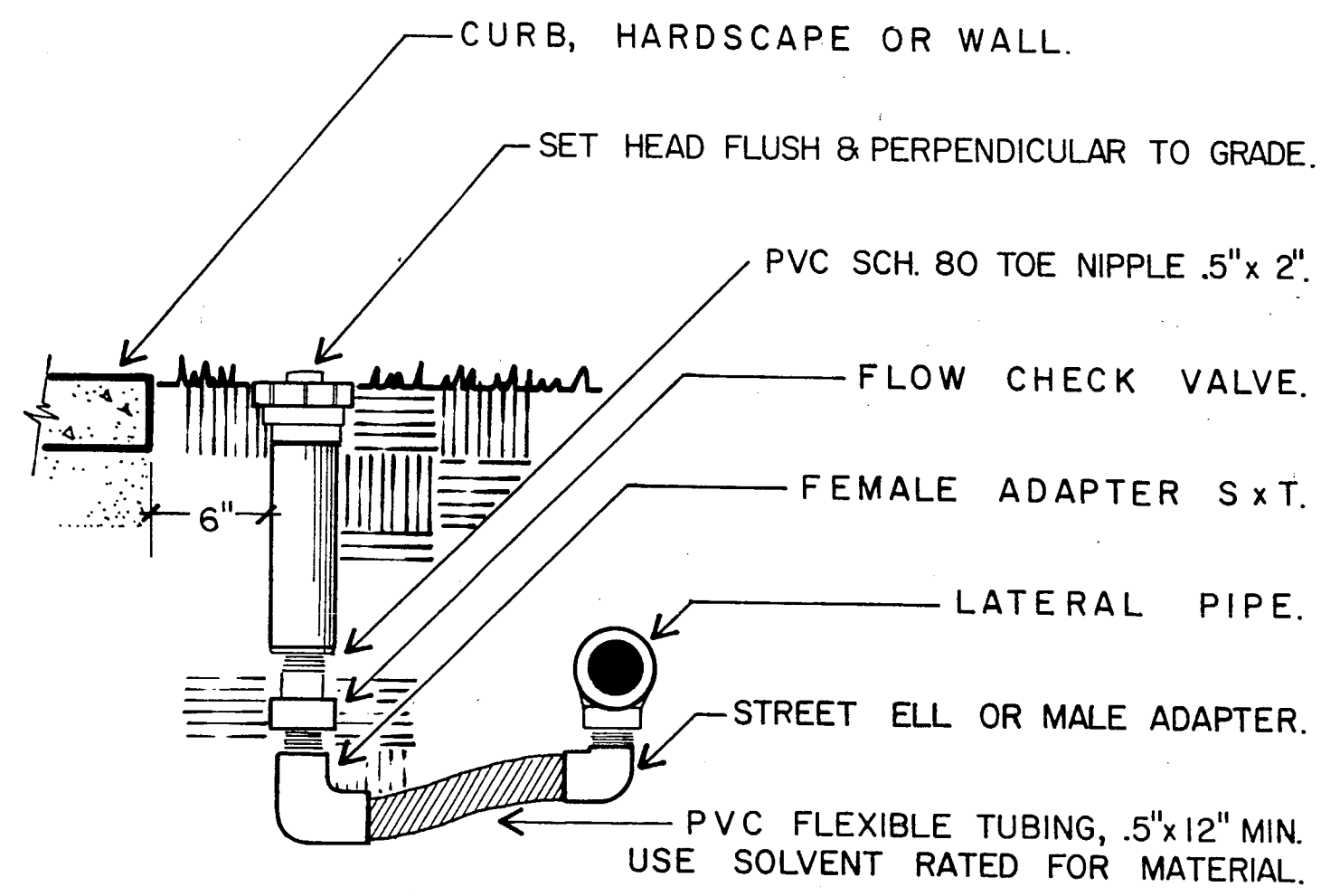


Water Management
Irrigation Consultant

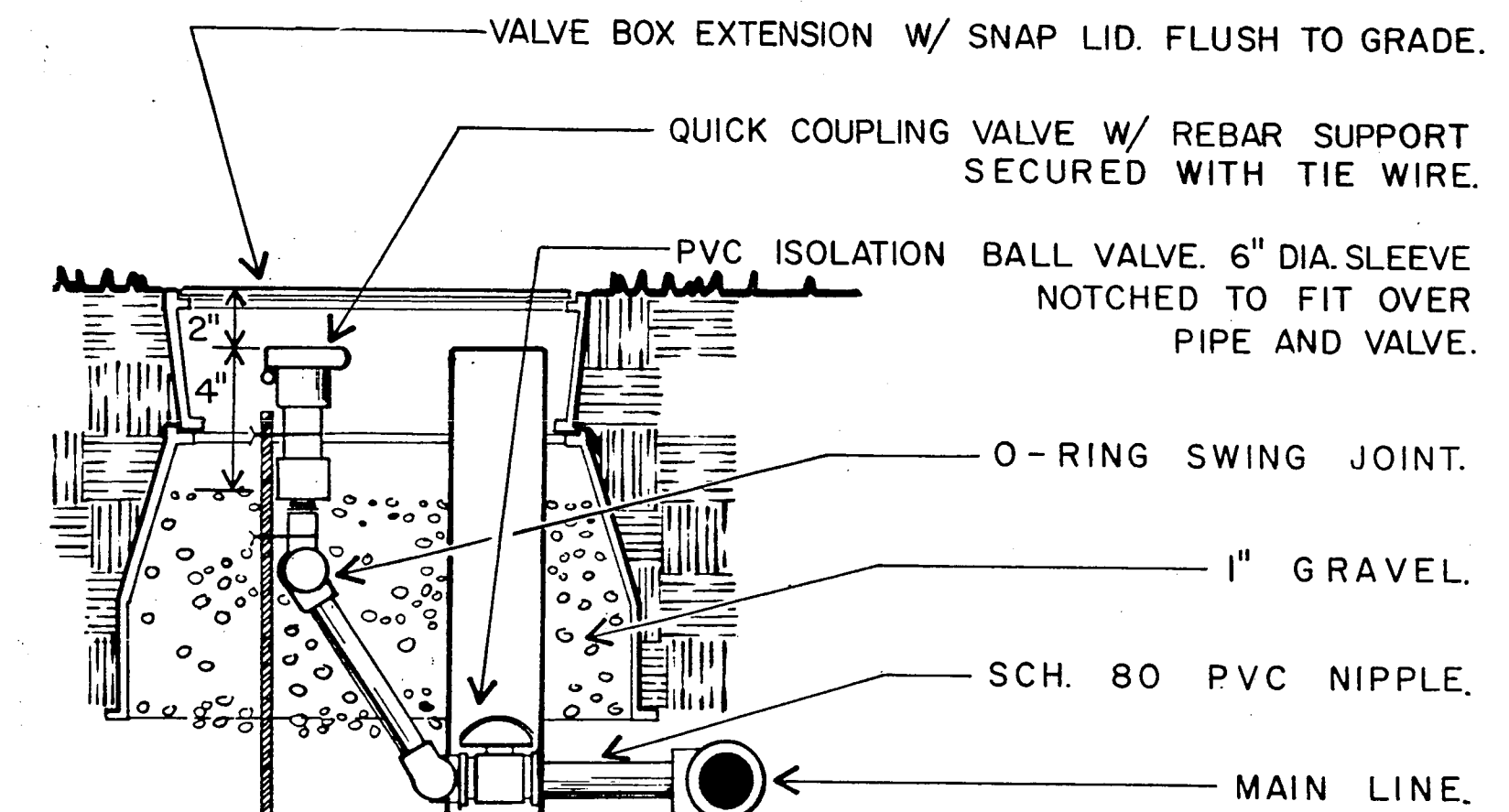
2200 Highland Village Rd.
Suite 200
Highland Village, Texas 75067
281-437-1370



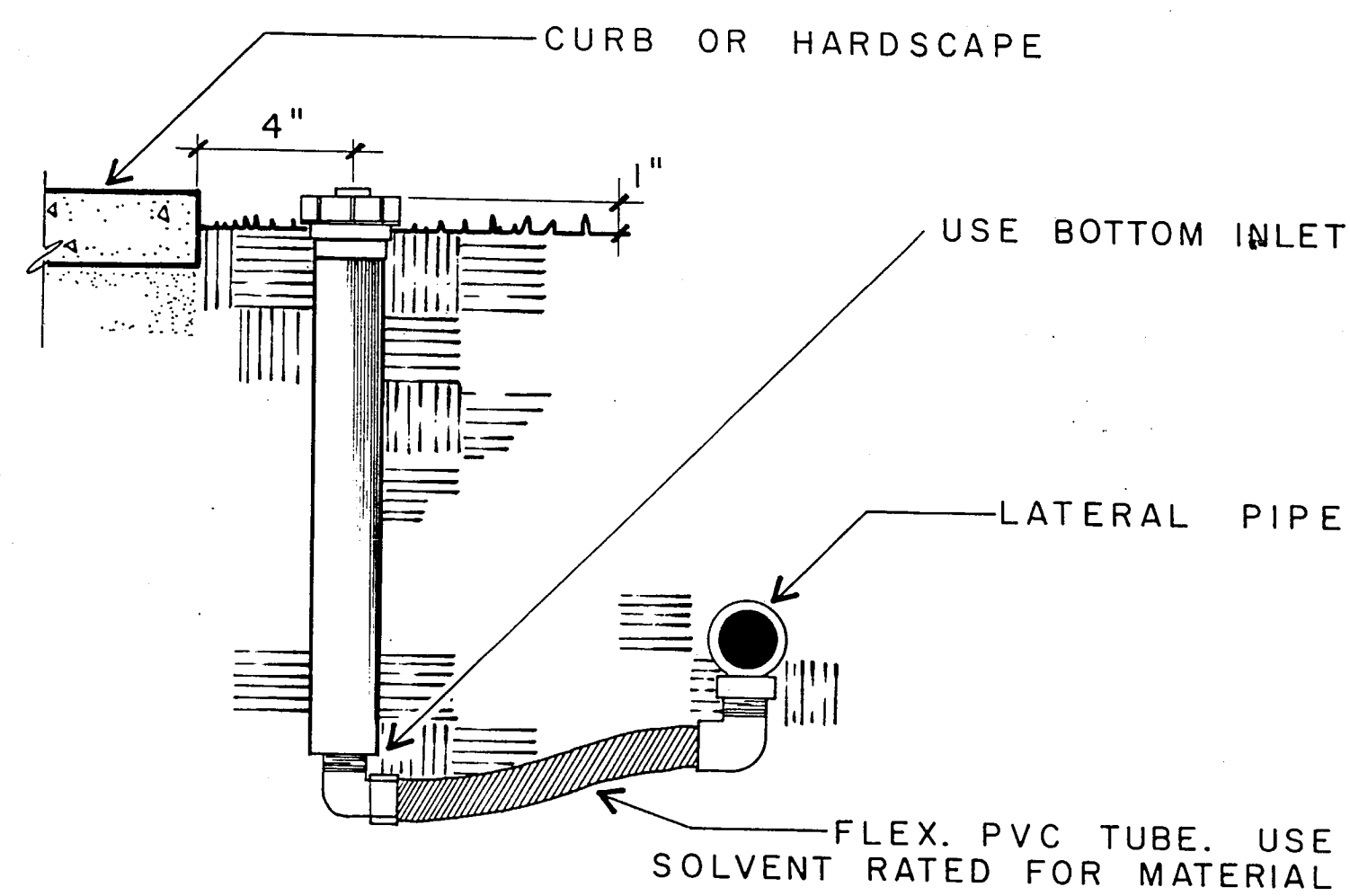
POROUS PIPE TREE RING CONNECTION
NO SCALE



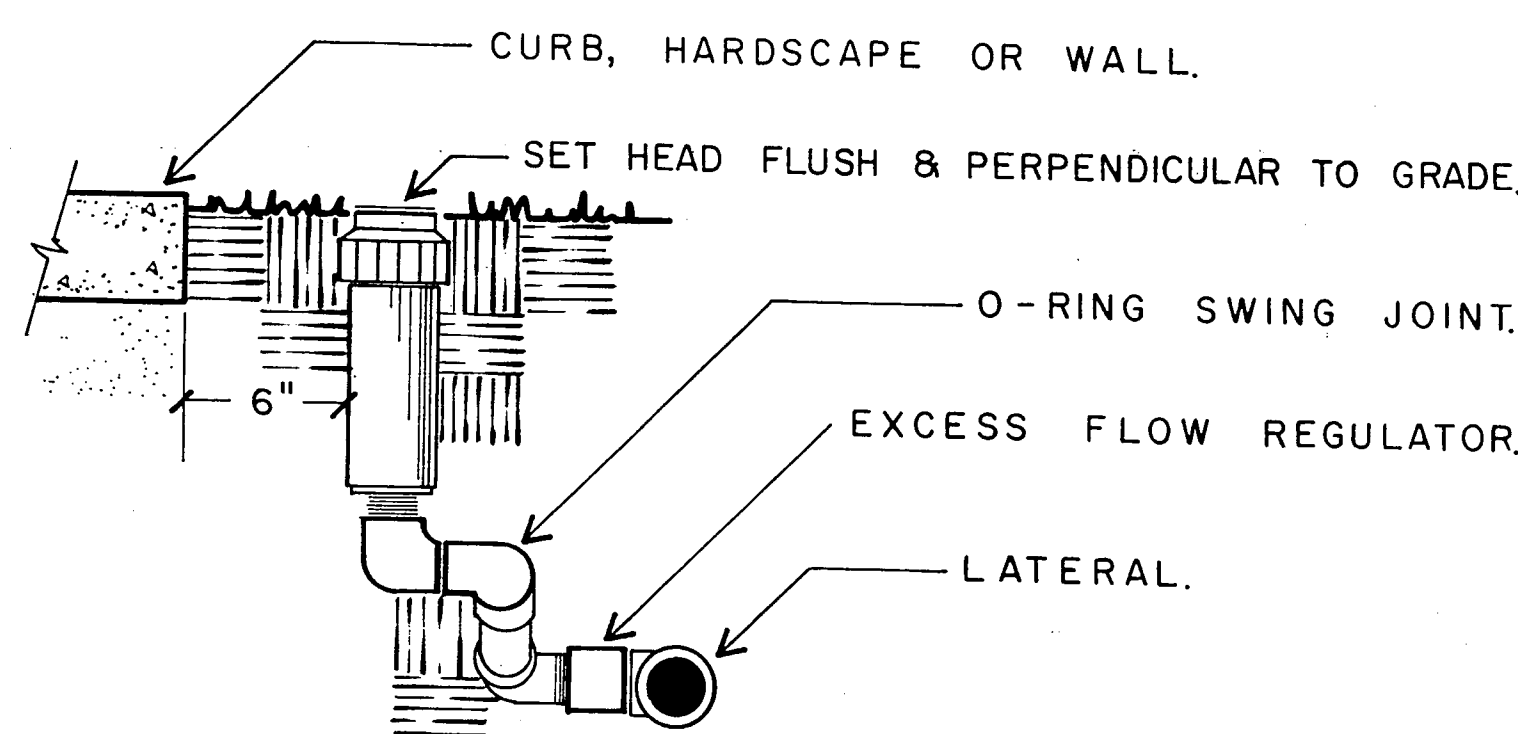
TURF SPRAY
NO SCALE



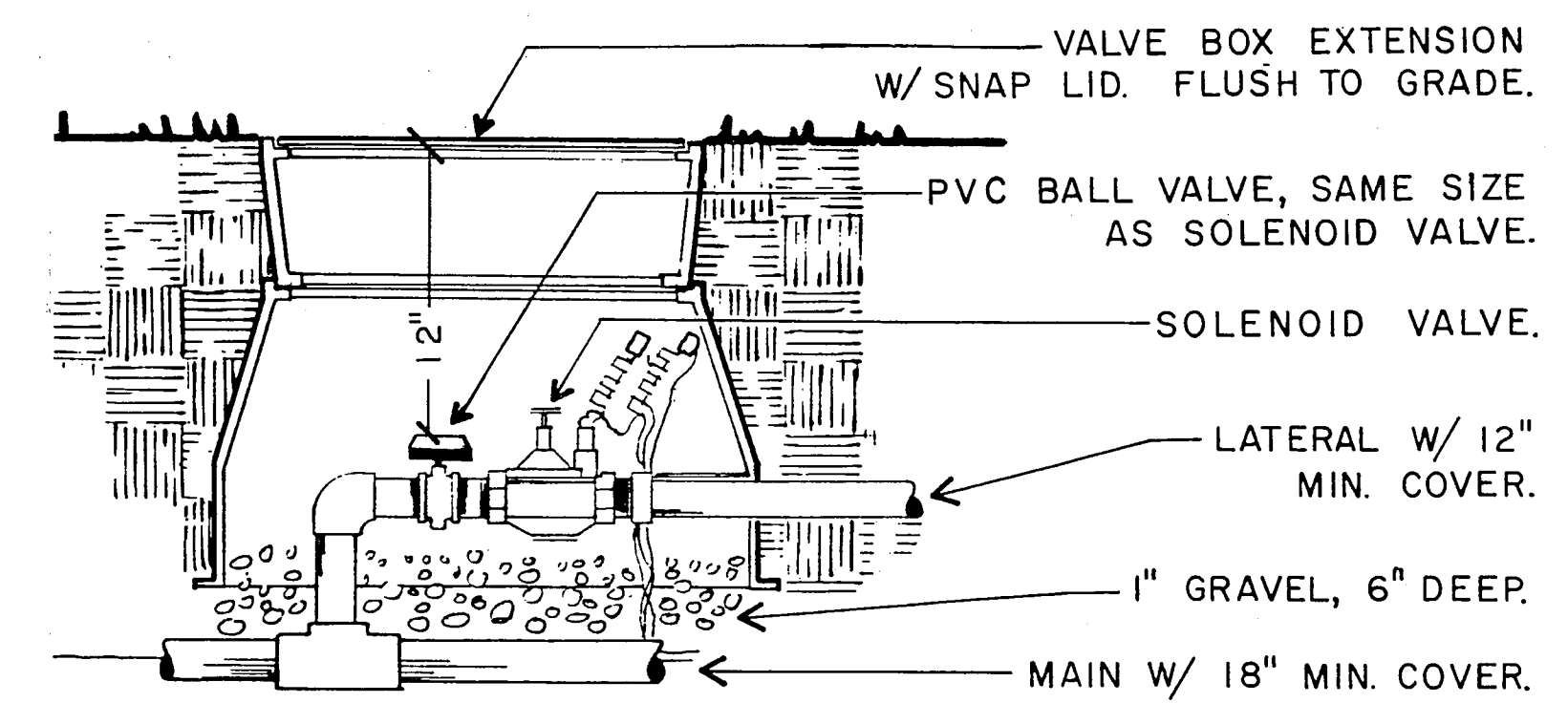
QUICK COUPLING VALVE
NO SCALE



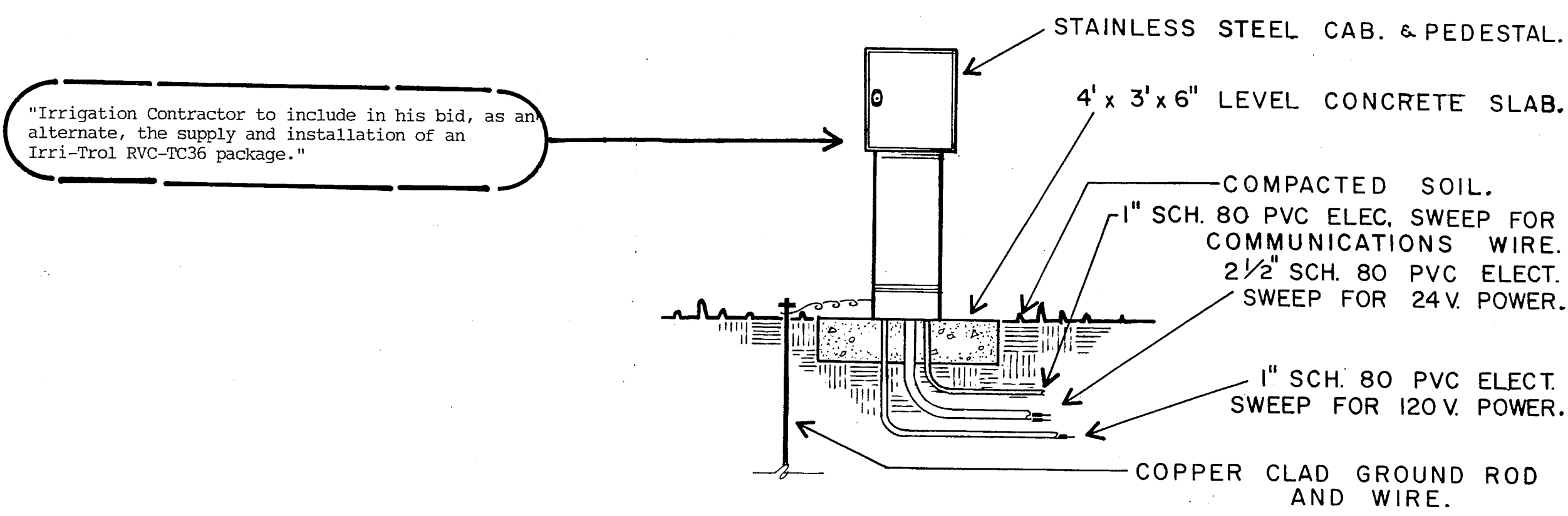
HIGH RISE SHRUB SPRAY
NO SCALE



TURF ROTOR
NO SCALE

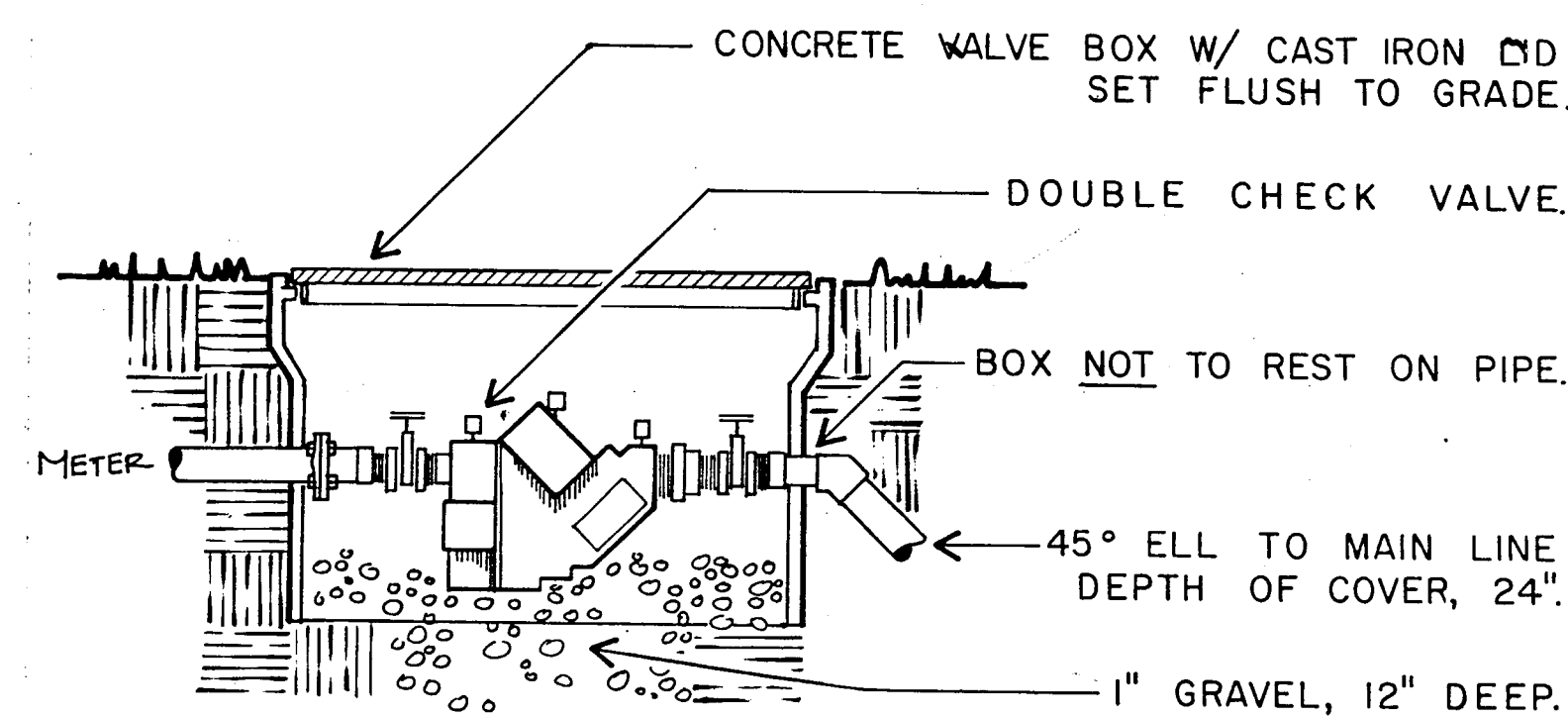


SOLENOID VALVE
NO SCALE

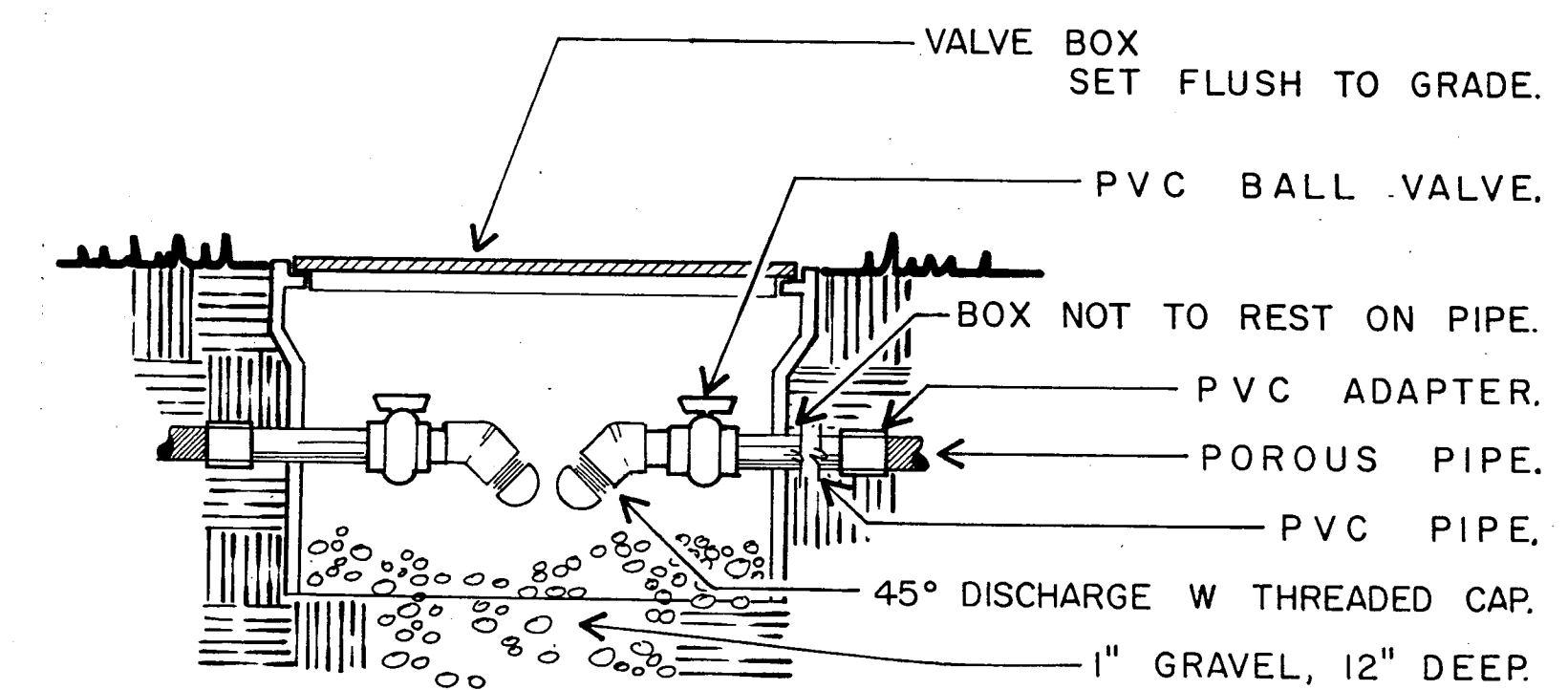


"Irrigation Contractor to include in his bid, as an alternate, the supply and installation of an Irri-Trol RVC-TC36 package."

CONTROLLER CABINET
NO SCALE



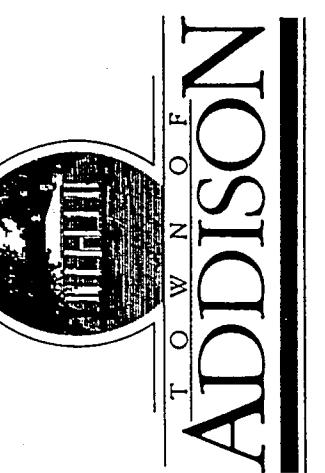
DOUBLE CHECK VALVE ASSEMBLY
NO SCALE



POROUS PIPE END FLUSH CAP
NO SCALE

IRRIGATION DETAILS

QUORUM PARK
ADDISON, TEXAS



PRELIMINARY	
ISSUE DATE	29 JAN 1990
REVISIONS	

PROJECT NO.	88019
DRAWN BY	SG
CHECKED BY	
SCALE	
SHEET NO.	