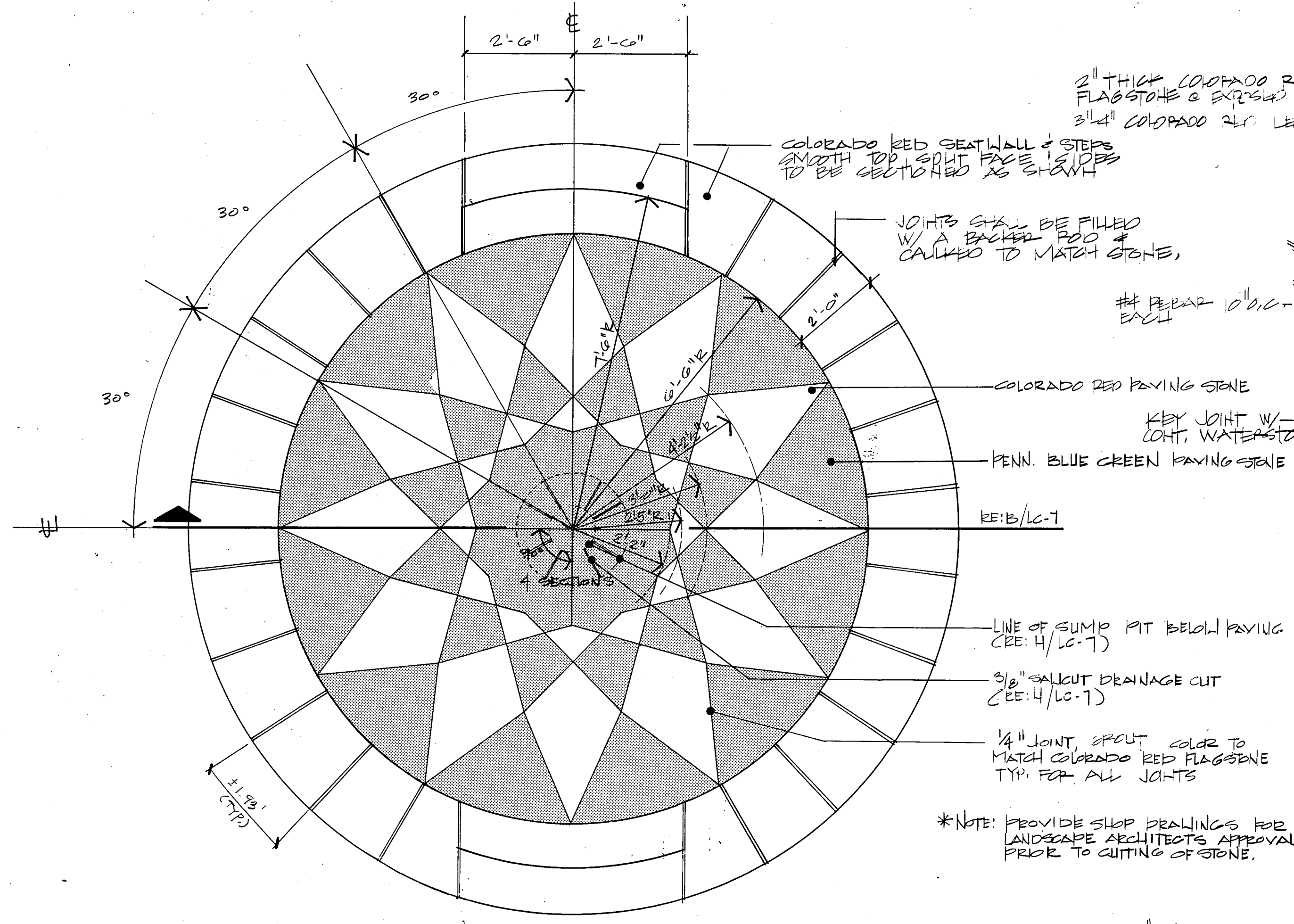
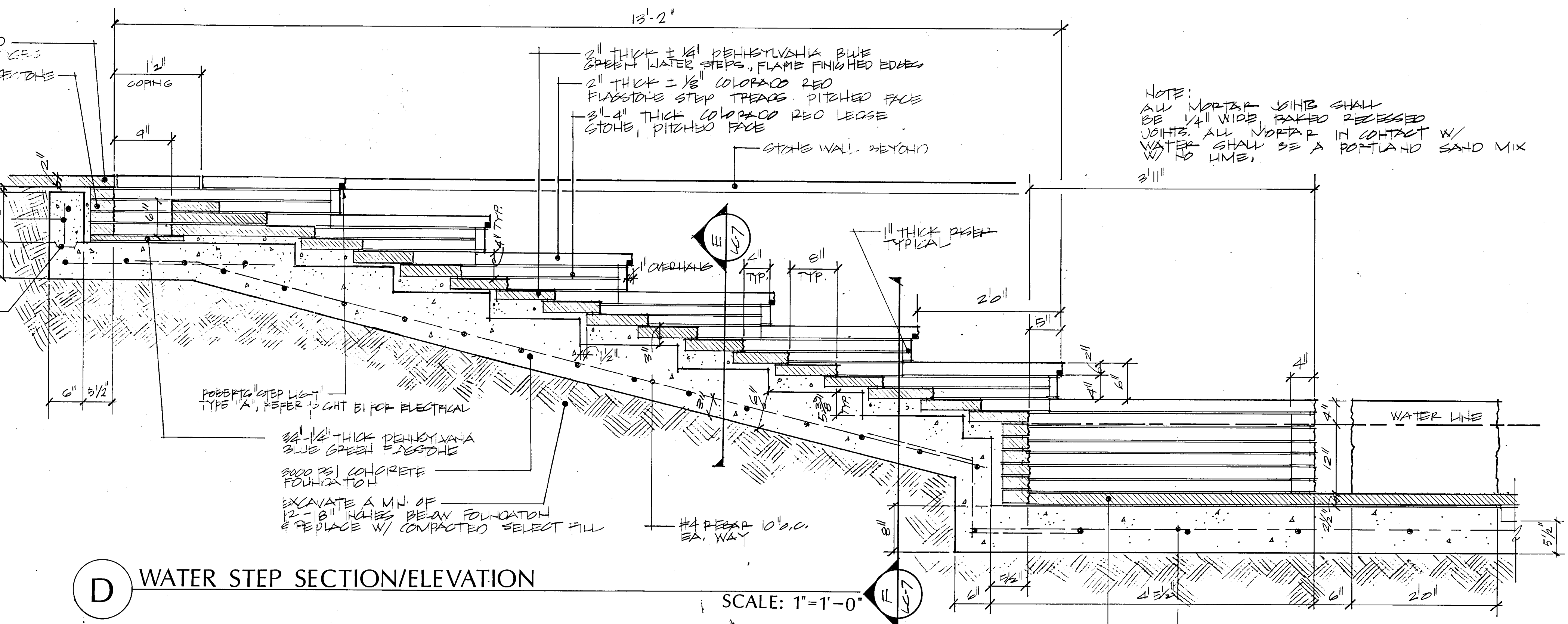


PRELIMINARY
ISSUE DATE 29 JAN 1990
REVISIONS

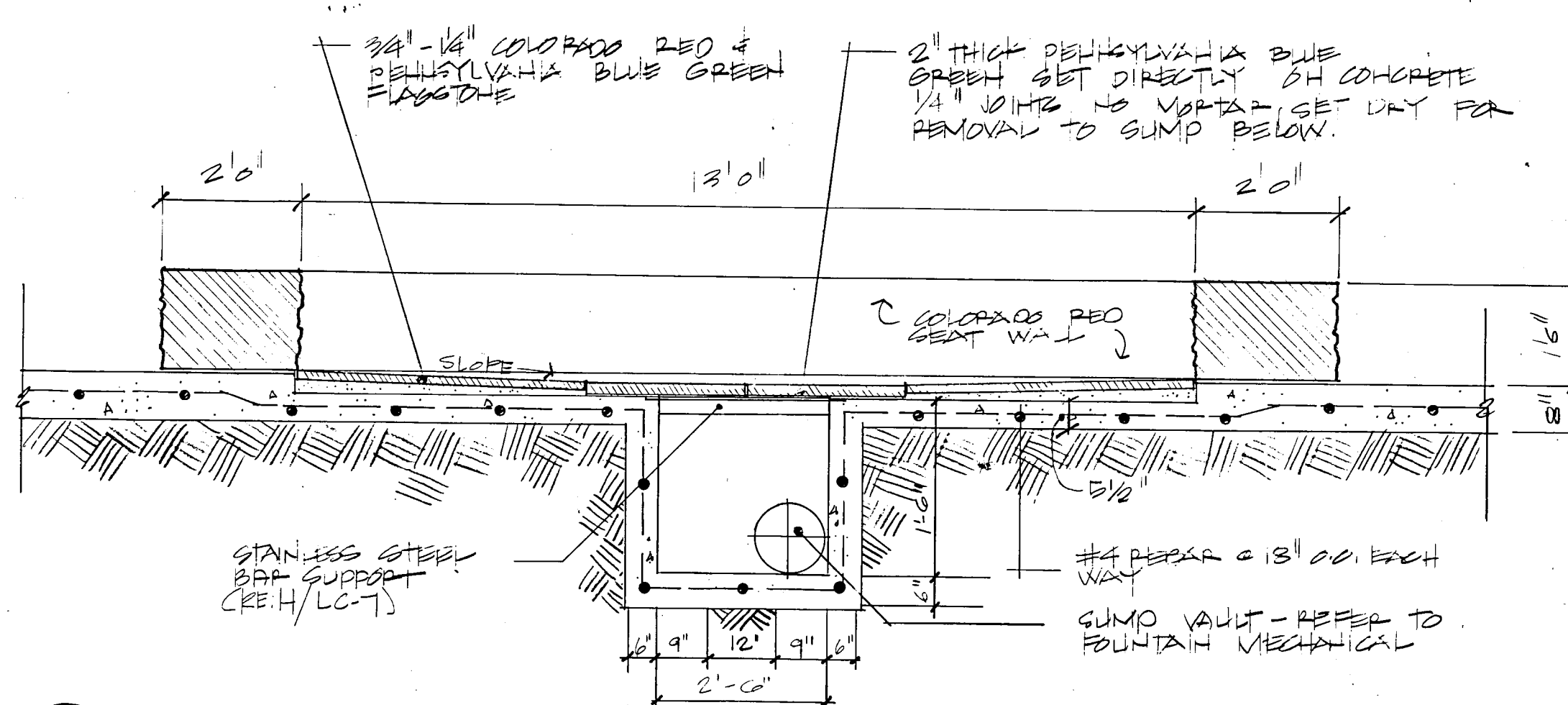
PROJECT NO. 88019
DRAWN BY SG
CHECKED BY SG
SCALE
SHEET NO.



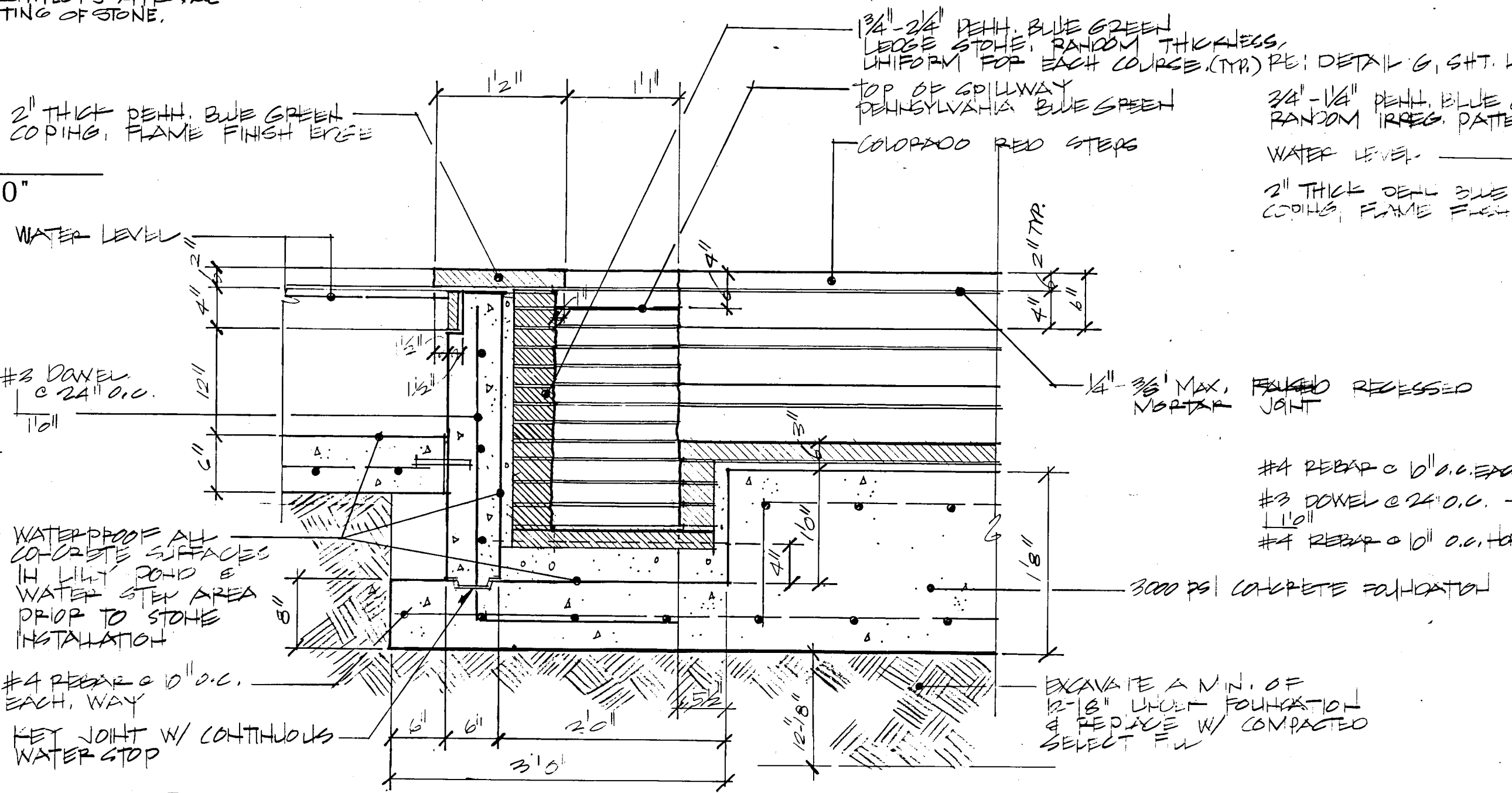
A FOUNTAIN PAVING/SEATWALL LAYOUT PLAN
SCALE: 1/2" = 1'-0"



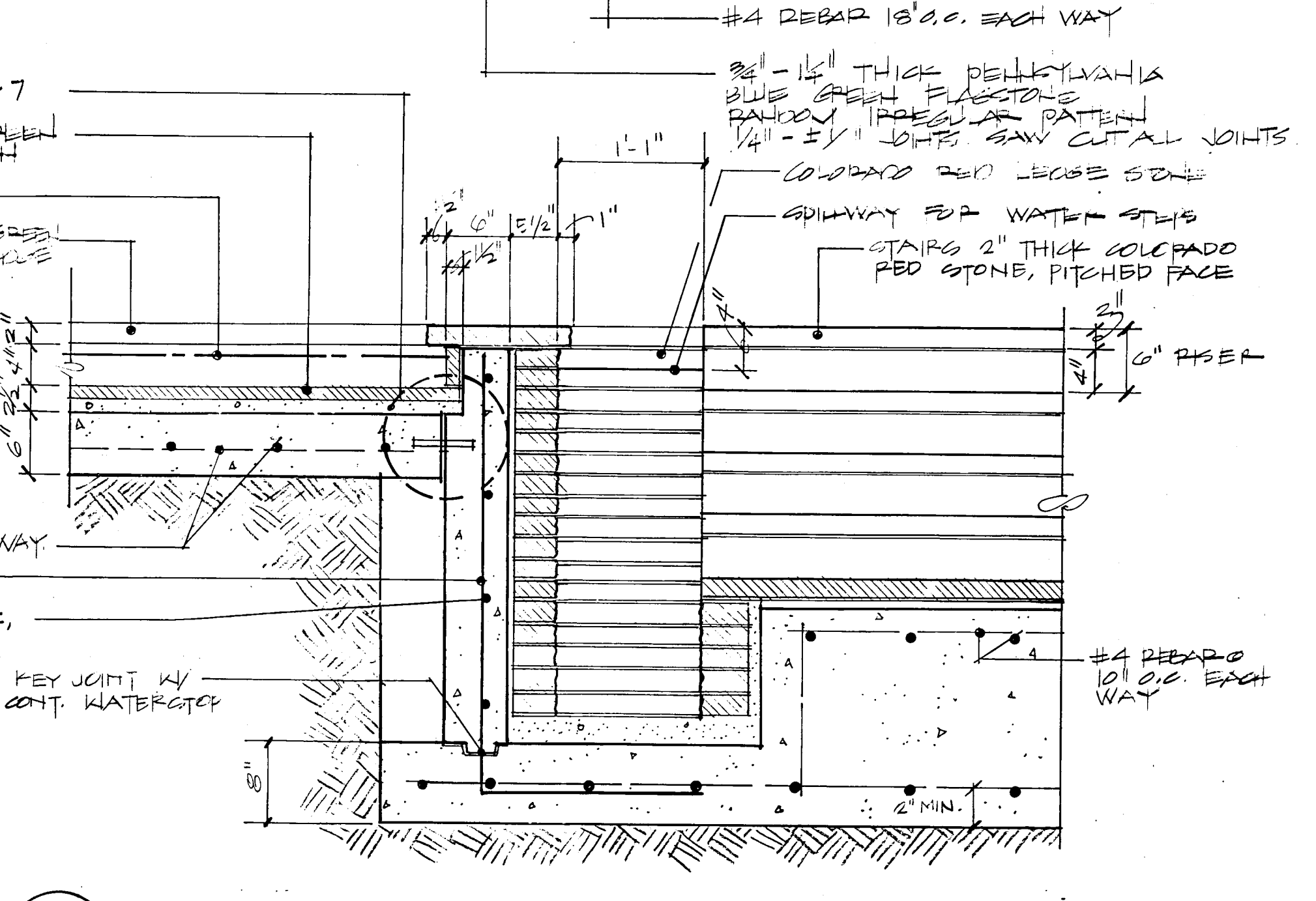
D WATER STEP SECTION/ELEVATION
SCALE: 1" = 1'-0"



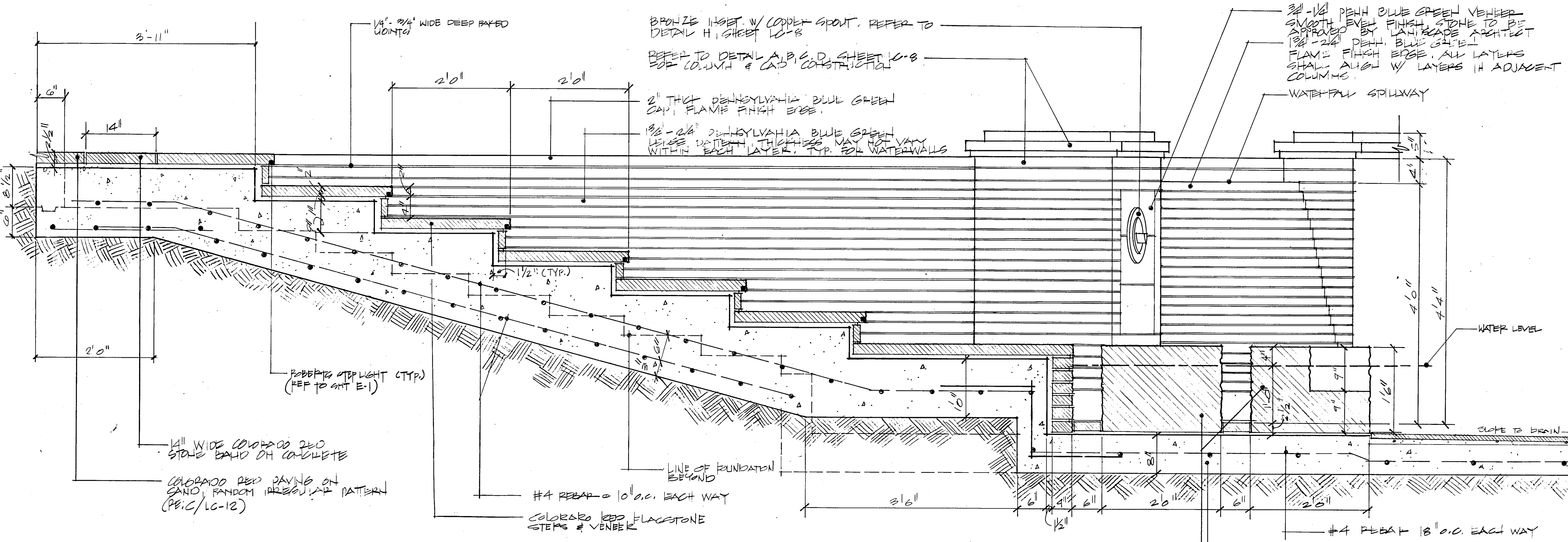
B FOUNTAIN PAVING/SEATWALL SECTION
SCALE: 1" = 1'-0"



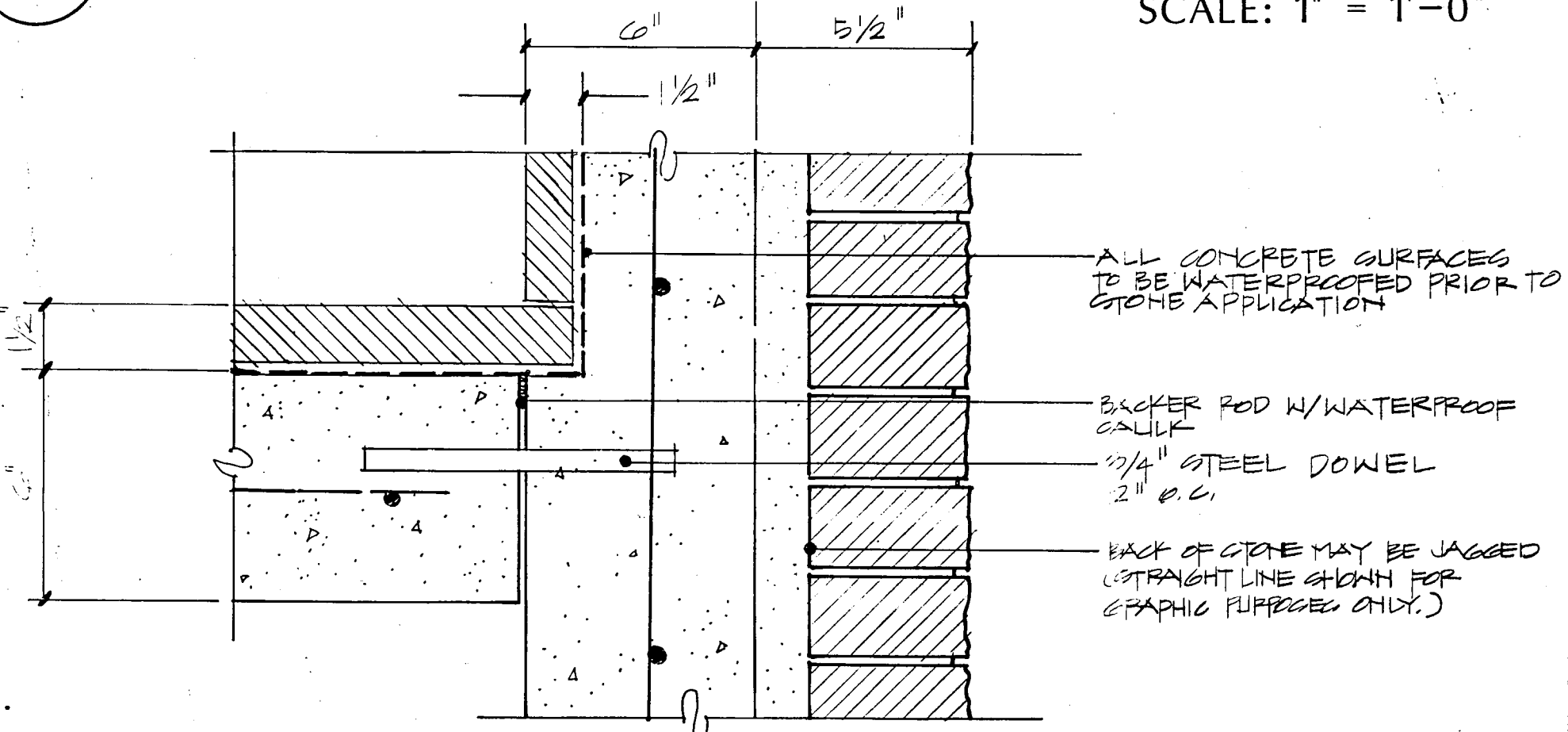
E WATER STEP SECTION/ELEVATION (LILLY POND)
SCALE: 1" = 1'-0"



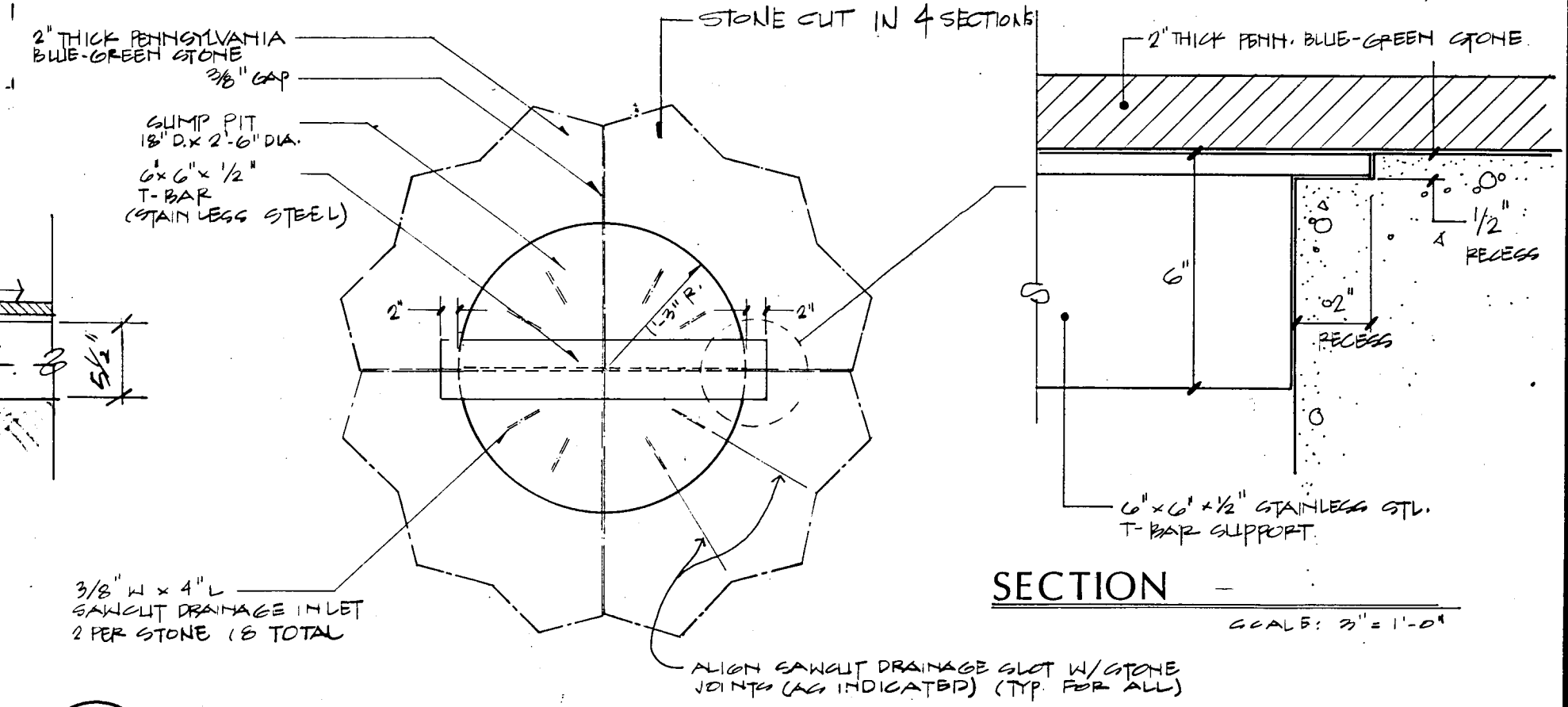
F WATER STEP SECTION (UPPER POOL)
SCALE: 1" = 1'-0"



C FOUNTAIN ACCESS SECTION/ELEVATION
SCALE: 1" = 1'-0"



G WATERPROOFING DETAIL
SCALE: 3" = 1'-0"



H SUMP PIT PLAN
SCALE: 3/4" = 1'-0"