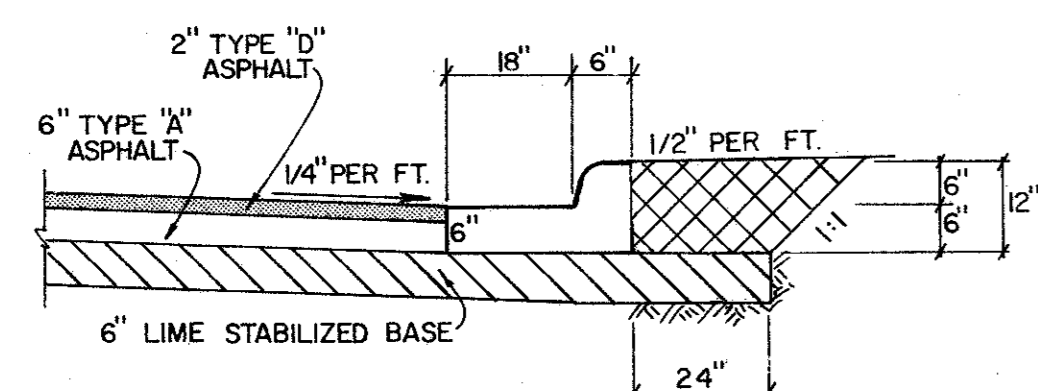
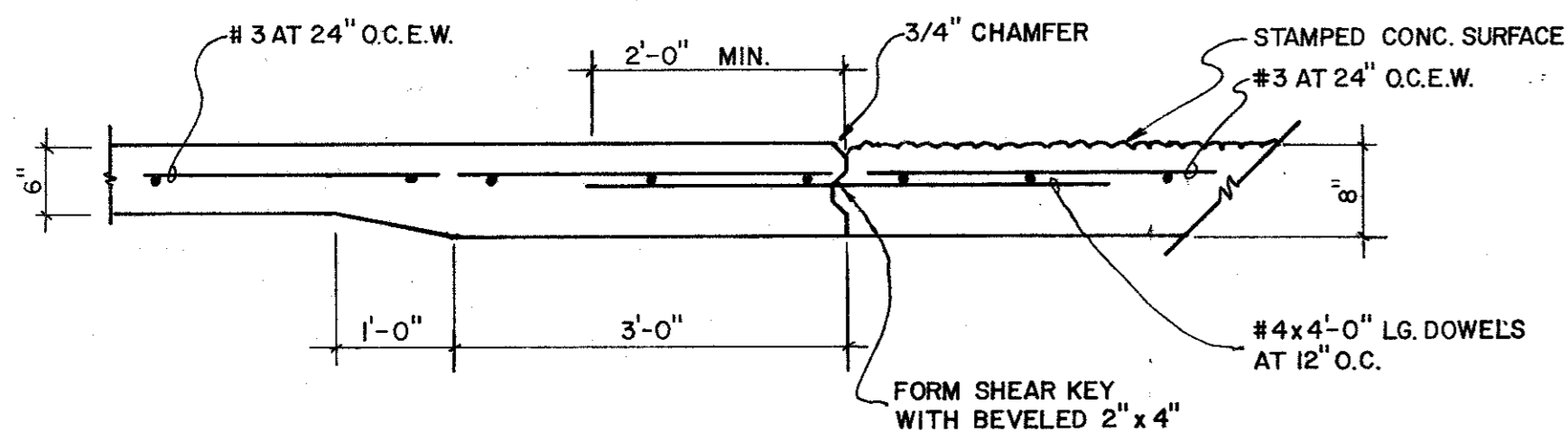


TYPICAL PAVEMENT & GRADING SECTION - SECTION X-X

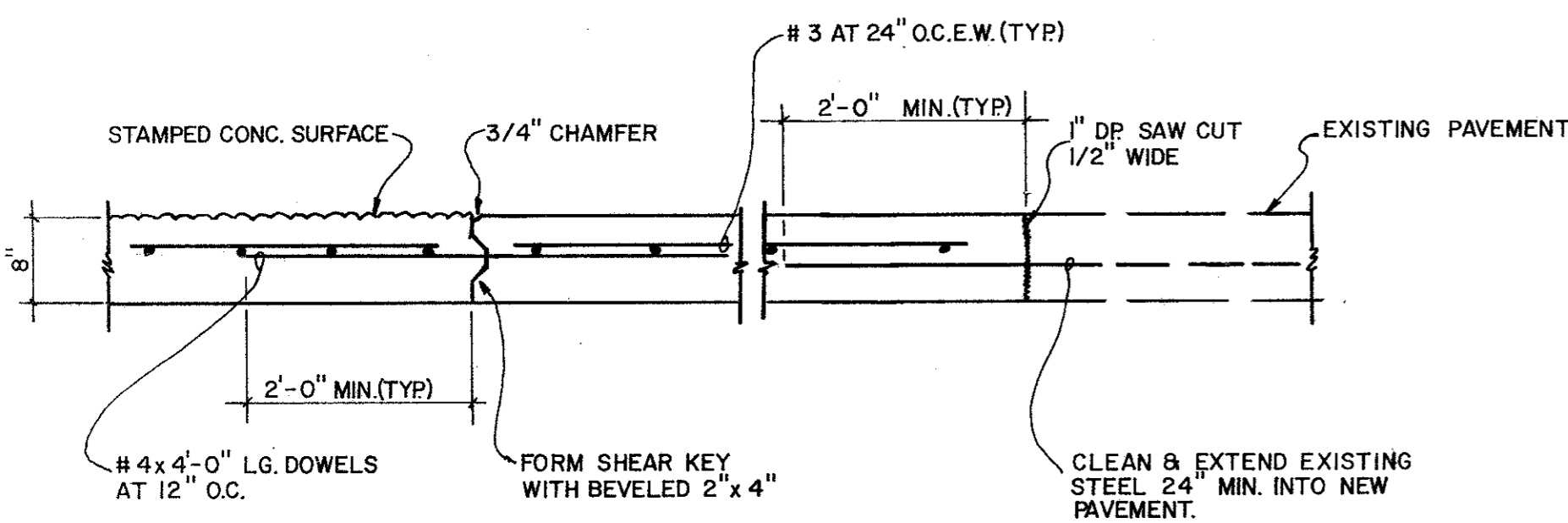
NOTE: CONCRETE SHALL BE 3,000 P.S.I. AT 28 DAYS. LIME SHALL BE SLURRY MIXED PRIOR TO APPLICATION. REINFORCING SHALL BE NO. 3 AT 24" O.C.E.W.



ALTERNATE ASPHALT PAVEMENT SECTION

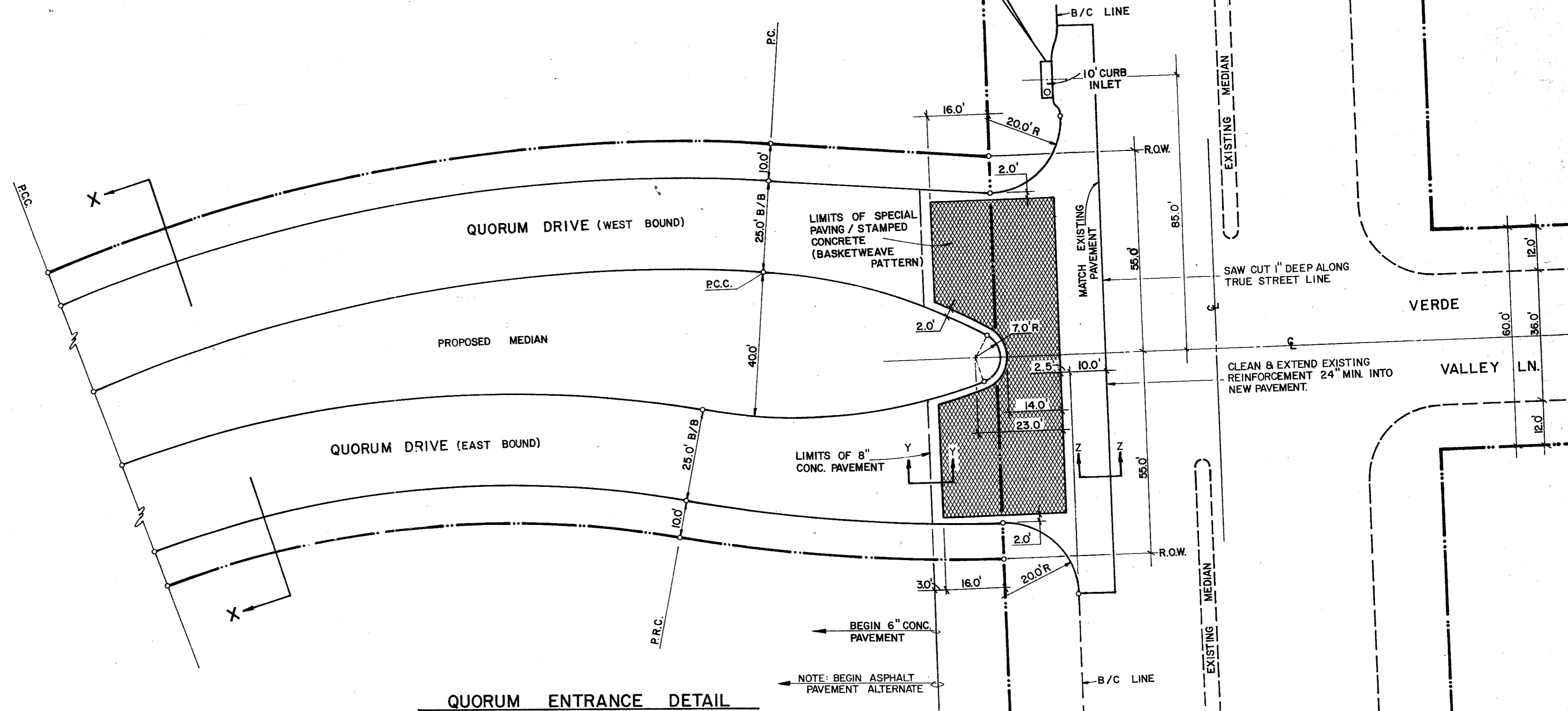


SECTION Y-Y

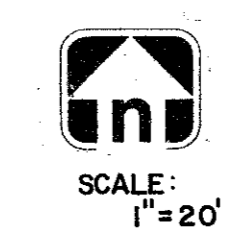


SECTION Z-Z

NOTE:
10' CURB INLET SHALL BE CONSTRUCTED IN ACCORDANCE WITH CITY OF DALLAS, TEXAS STANDARD PAVING DETAILS AND SPECIFICATIONS FILE, 251D-1



QUORUM ENTRANCE DETAIL



PAVING DETAILS
QUORUM
ADDISON, TEXAS

Graham Associates, Inc.
CONSULTING ENGINEERS & PLANNERS

Date: 3-1-79
File: 314-1437
Sheet 15 of 22

REVISIONS TO CONTRACT NO. 314-1437
DATE: 8/6/80