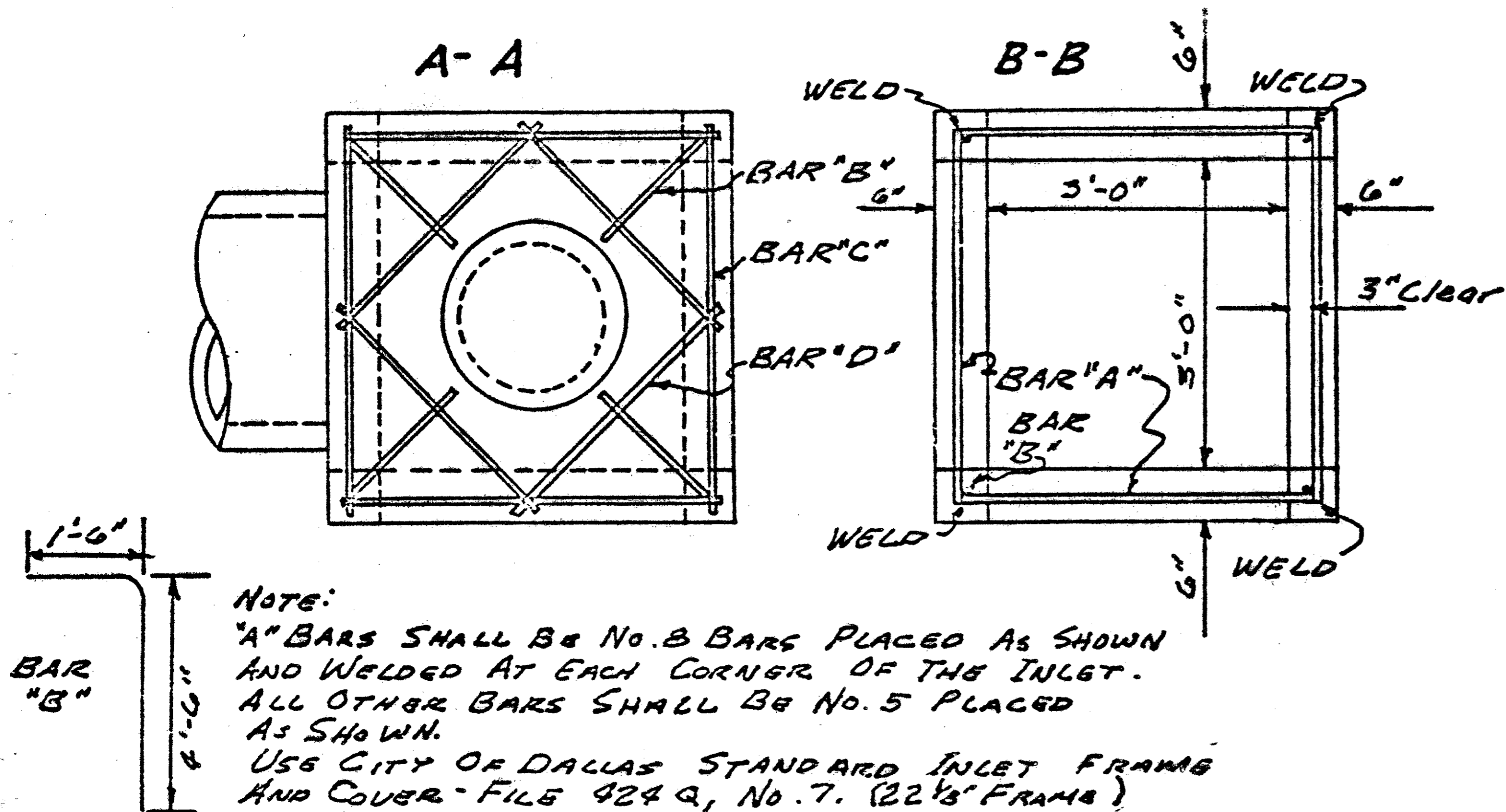
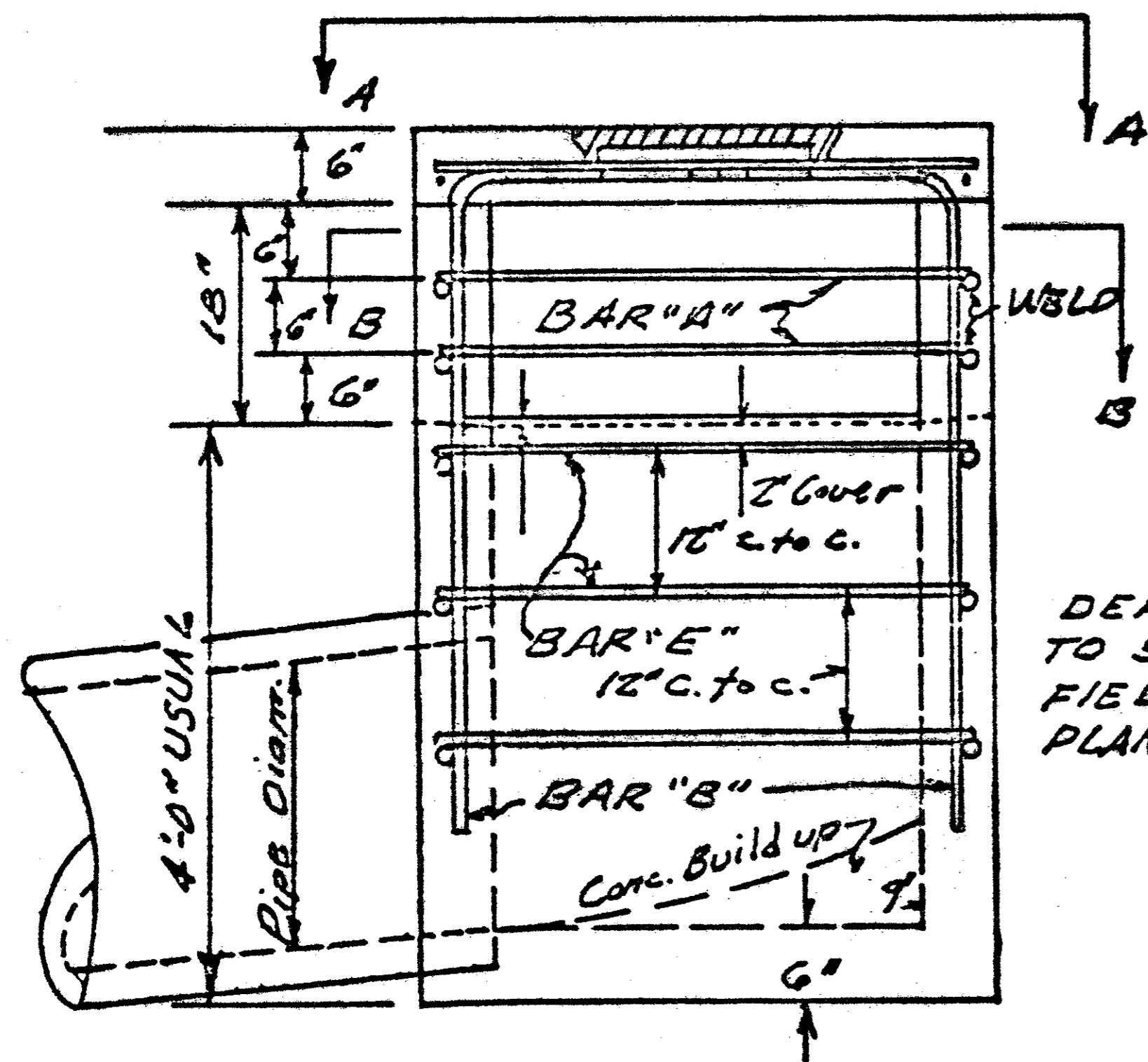


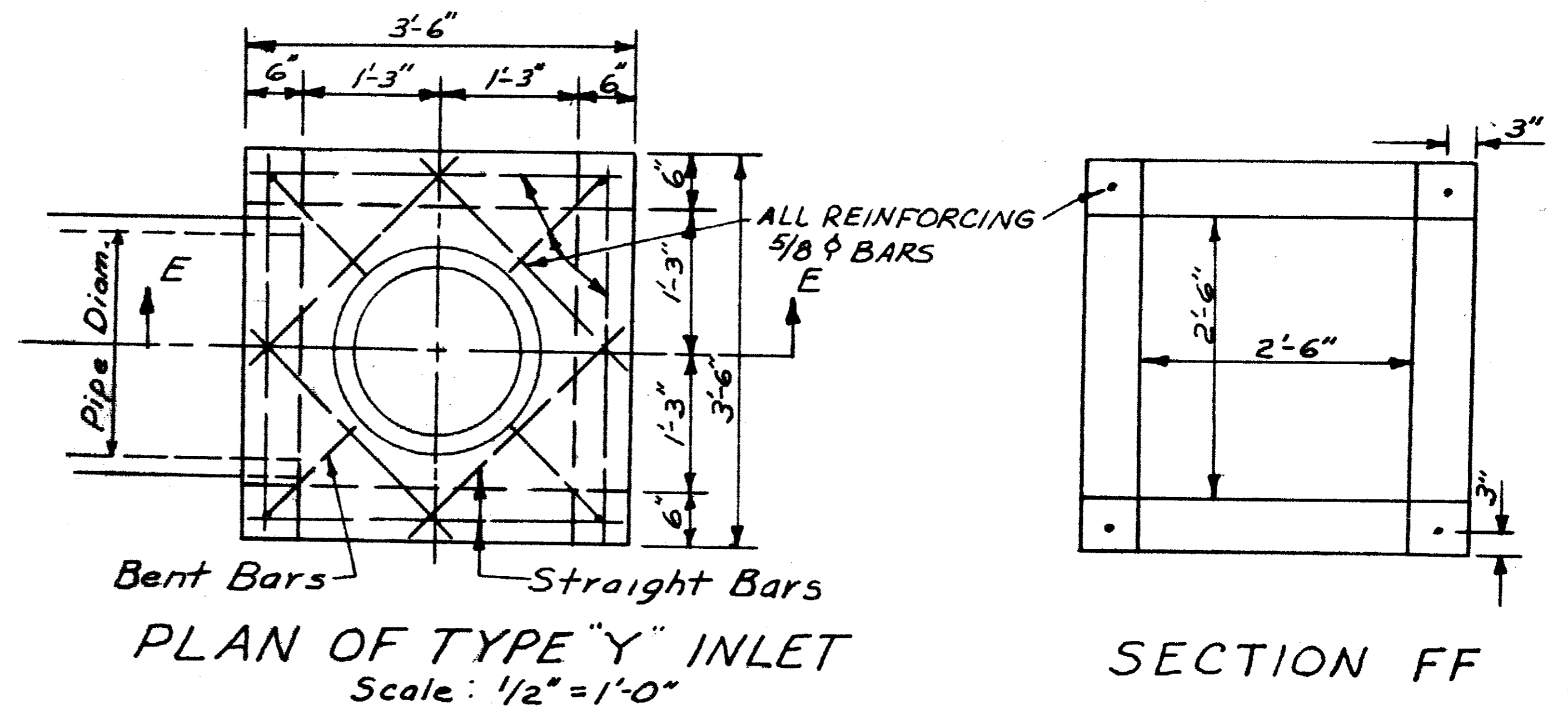
SPECIAL "Y" INLET
Scale: 1/2" = 1'



NOTE:
"A" BARS SHALL BE NO. 8 BARS PLACED AS SHOWN AND WELDED AT EACH CORNER OF THE INLET. ALL OTHER BARS SHALL BE NO. 5 PLACED AS SHOWN.
USE CITY OF DALLAS STANDARD INLET FRAME AND COVER - FILE 424 Q, No. 7. (22 1/8" FRAME)

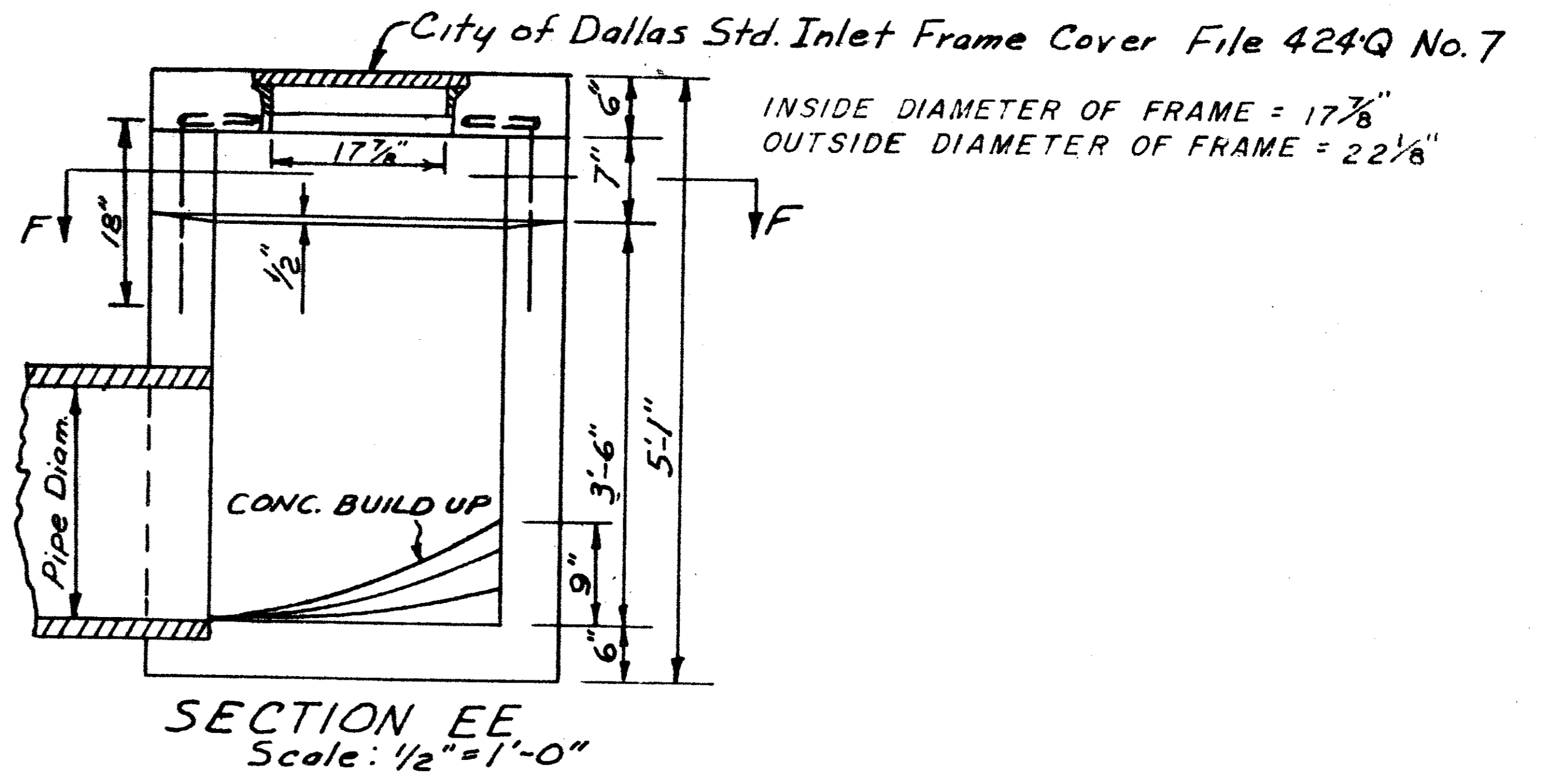


DEPTH OF INLET MAY VARY TO SUIT CONDITION IN THE FIELD OR AS SPECIFIED ON PLANS.



PLAN OF TYPE "Y" INLET
Scale: 1/2" = 1'-0"

SECTION FF



SECTION EE
Scale: 1/2" = 1'-0"

QUORUM

All CONC. TO BE 3000 P.S.I.
Rev: 5-6-52 Reduce Throat Opening

STANDARD CITY OF DALLAS					
TYPE "Y" INLET					
DEPARTMENT OF PUBLIC WORKS					
DRAWN	TRACED	DATE	SCALE	FILE	SHEET
H.C.	R.E.H.	JUNE '50	NO. ED	424	20 of 22

RH
8/6/80