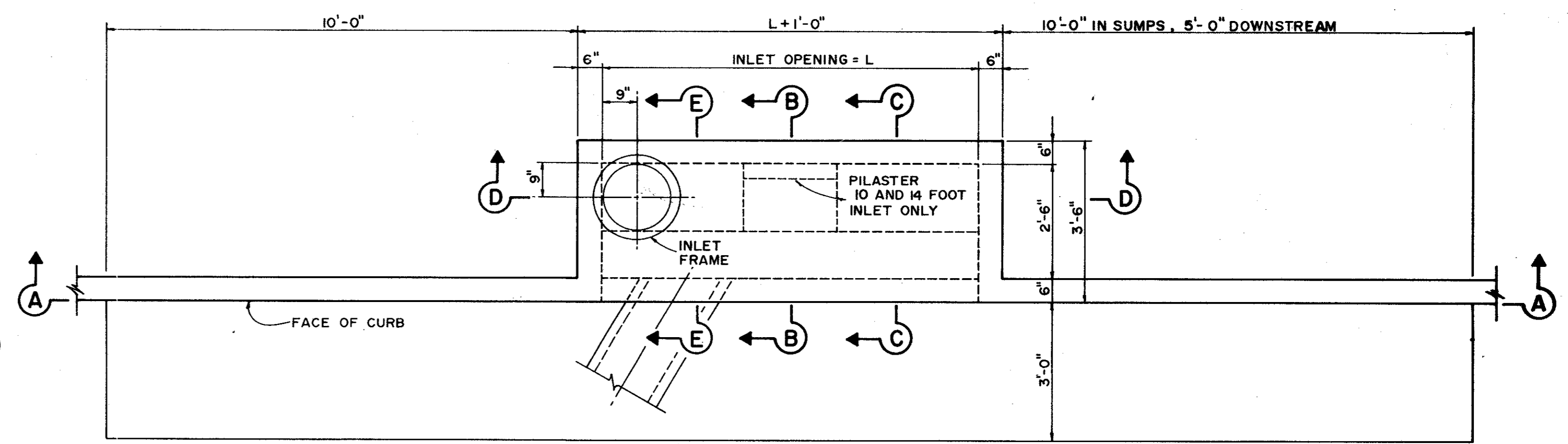
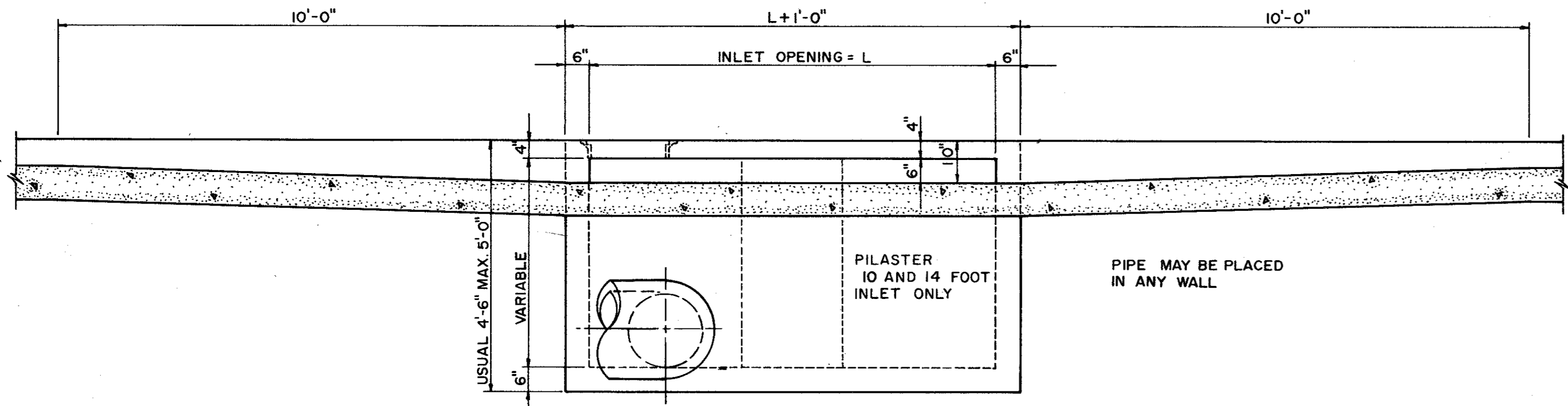


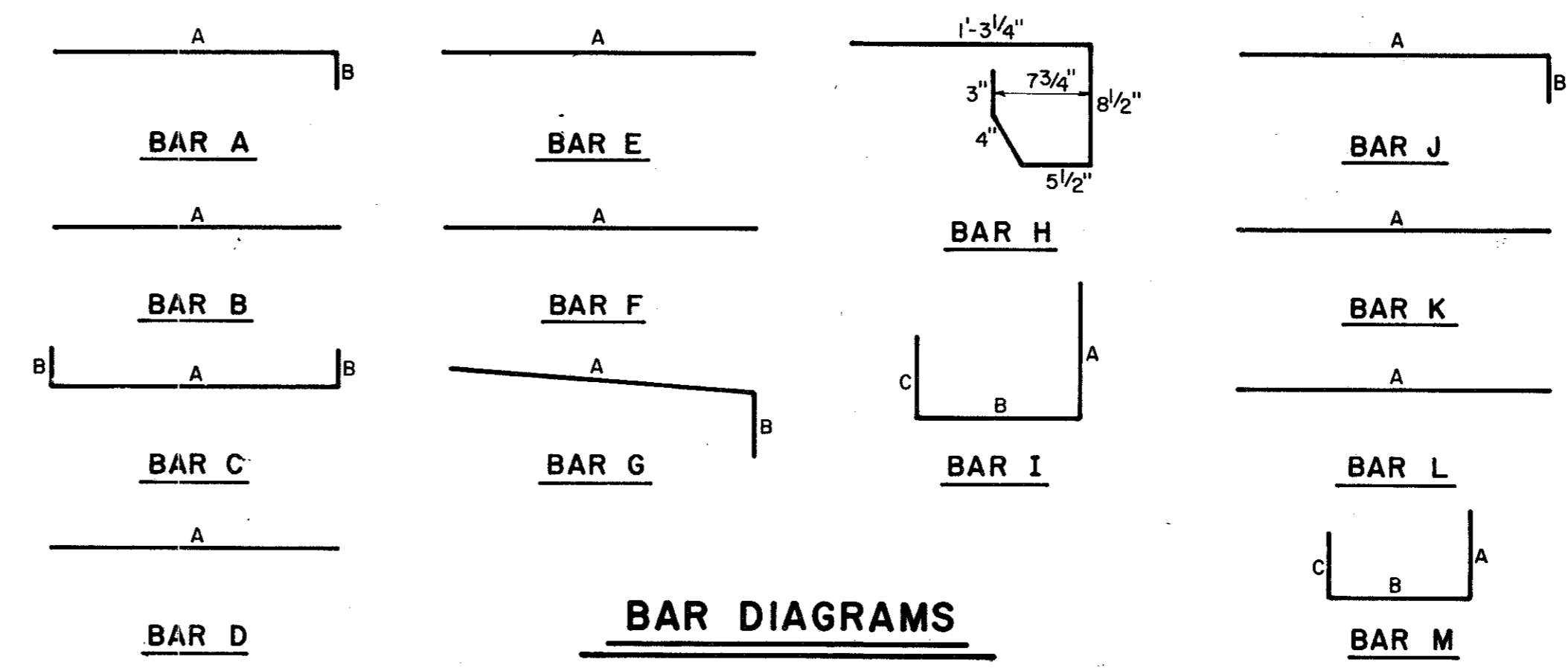
PLAN - RECESSED INLET



PLAN - STANDARD INLET



SECTION A-A-RECESSED AND STANDARD INLETS
5, 10, AND 14 FOOT INLETS



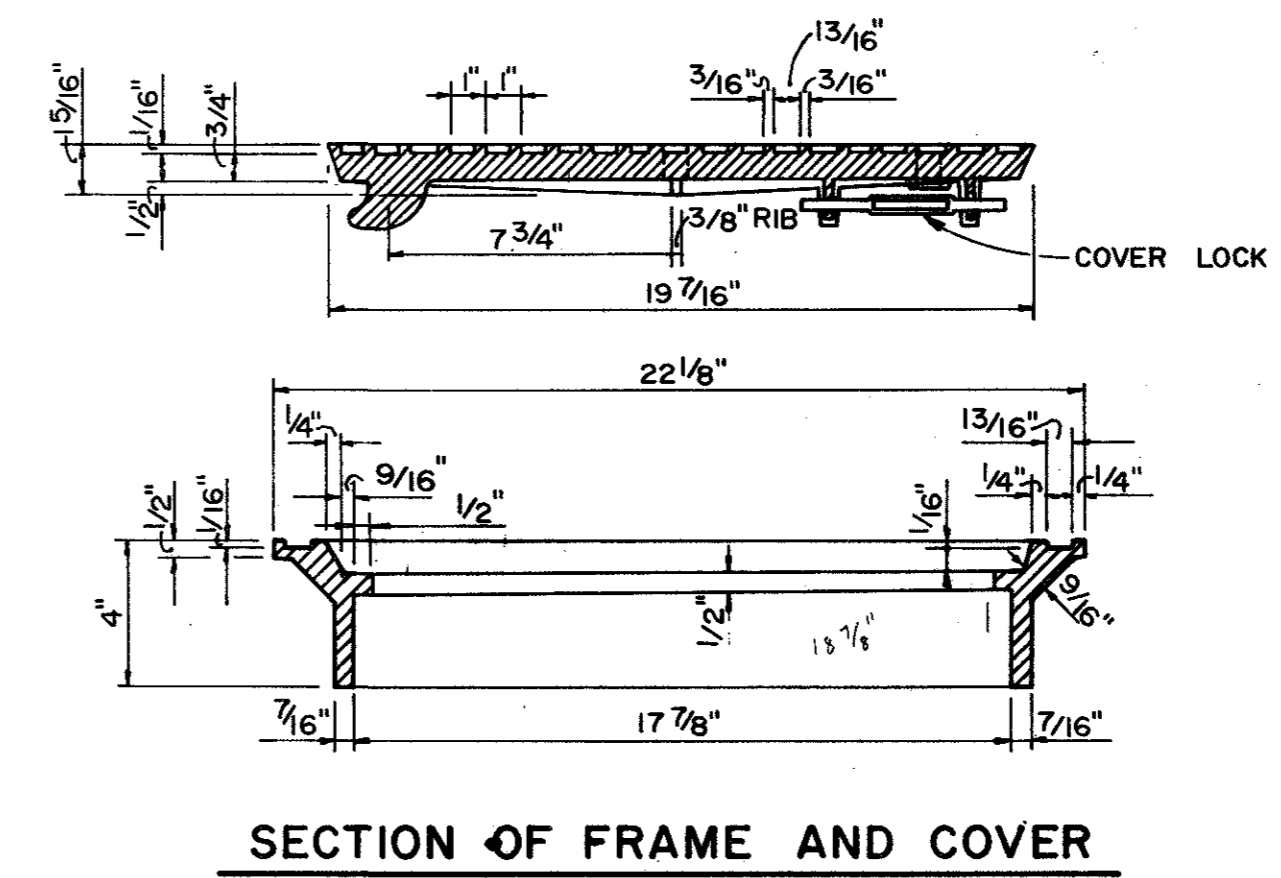
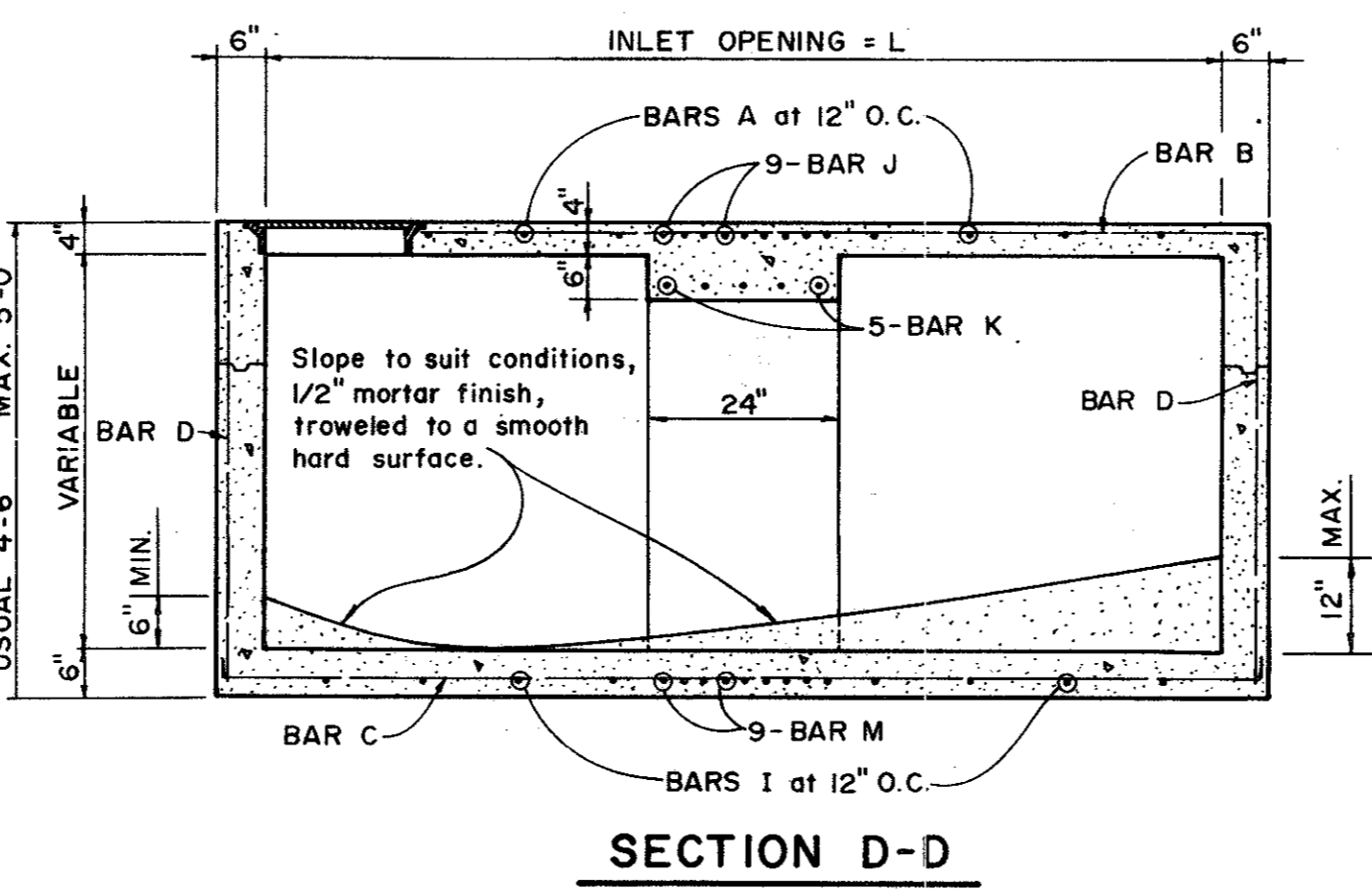
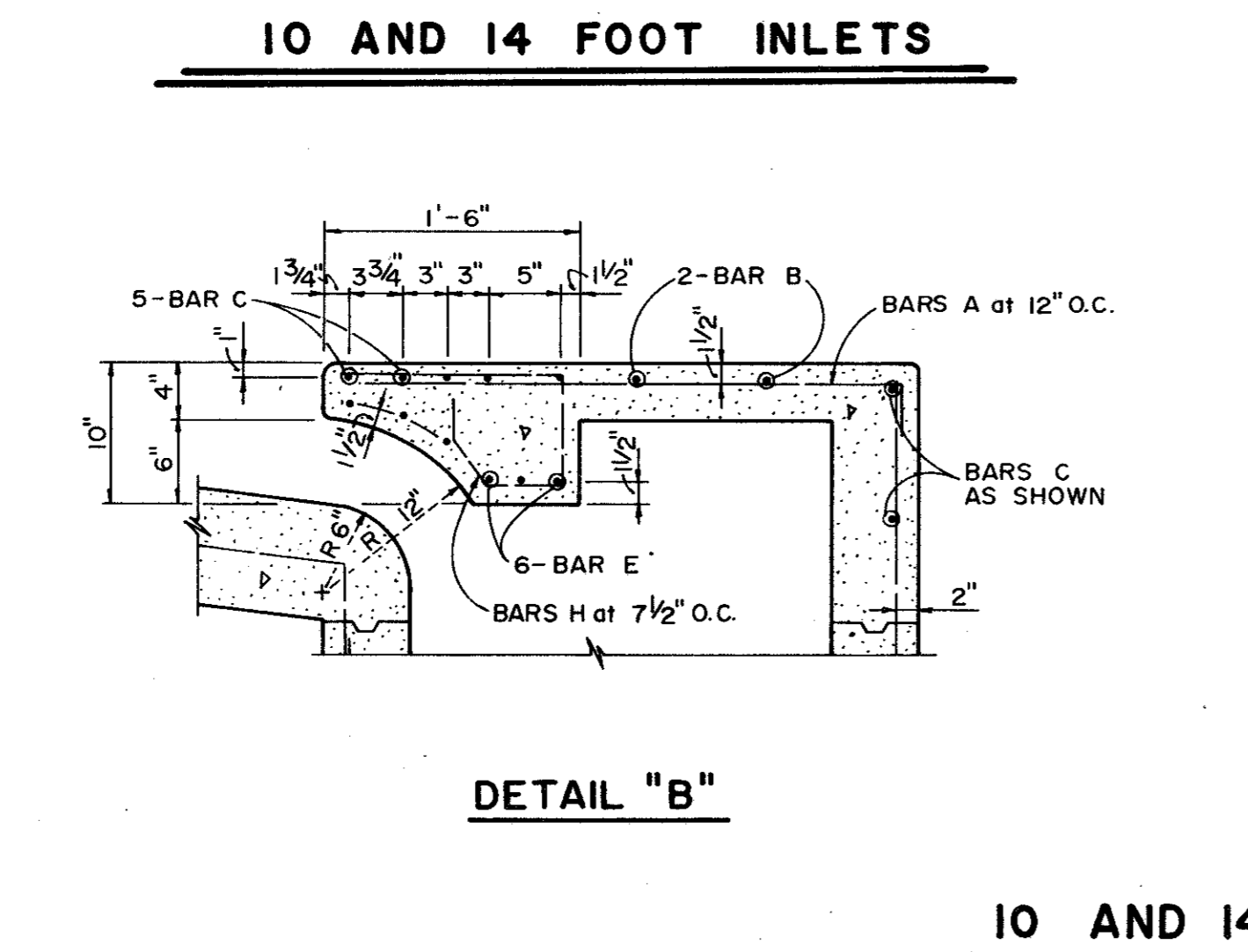
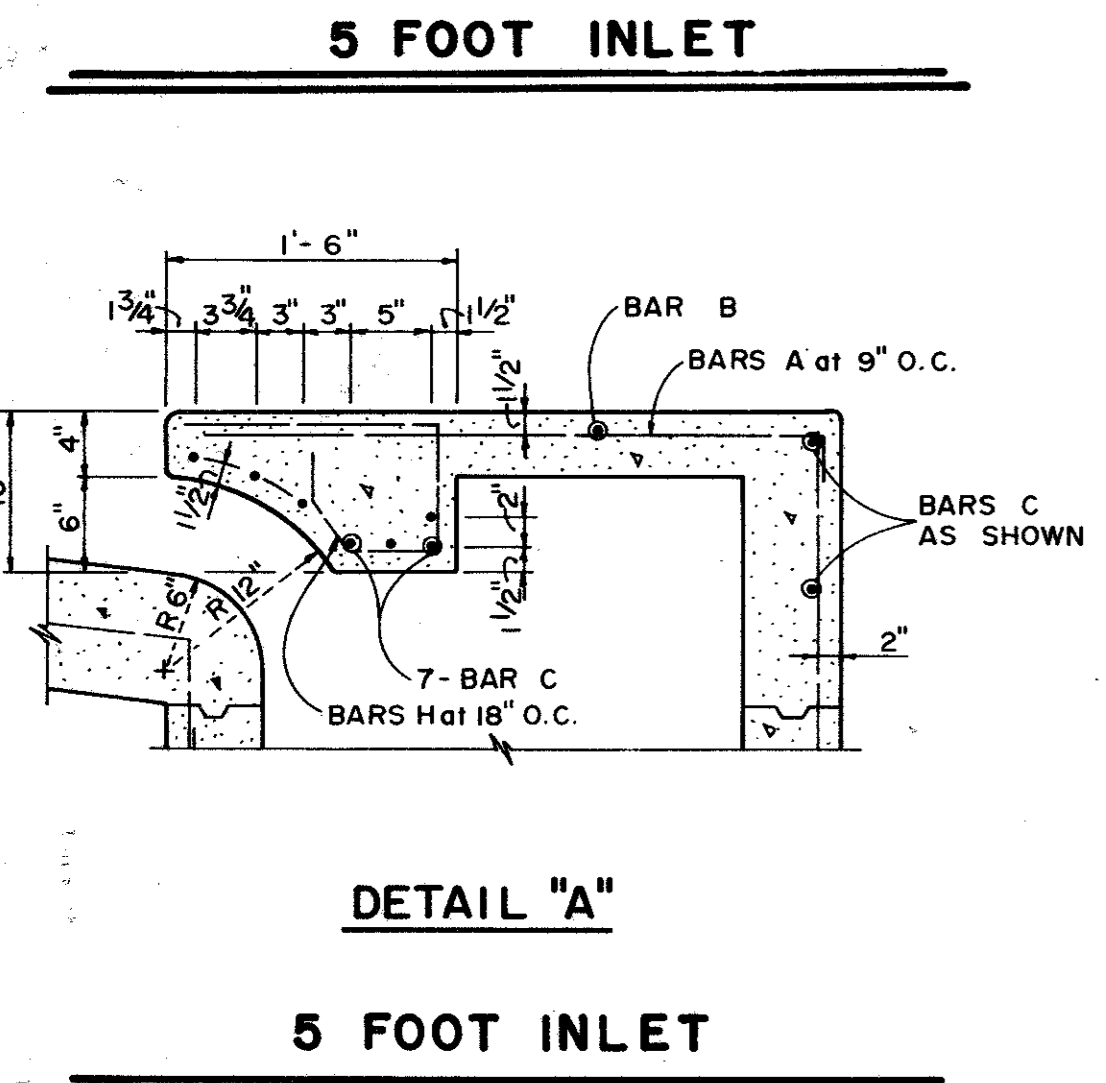
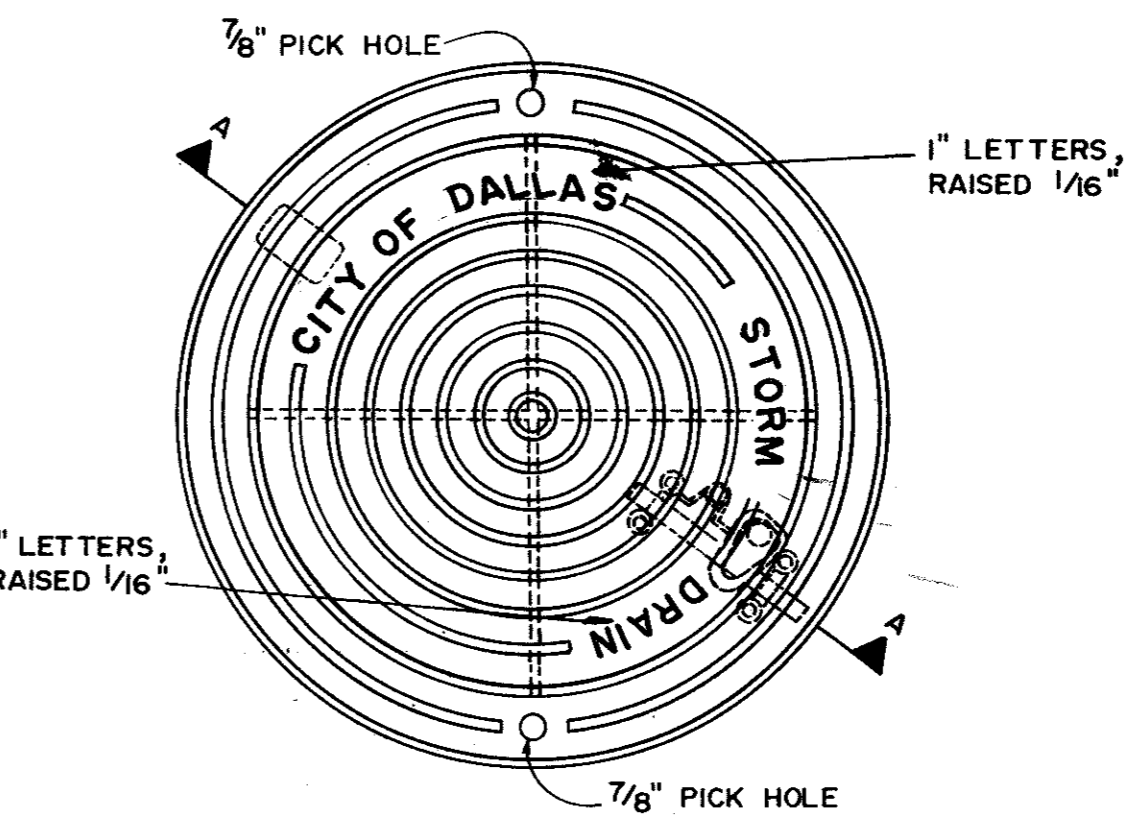
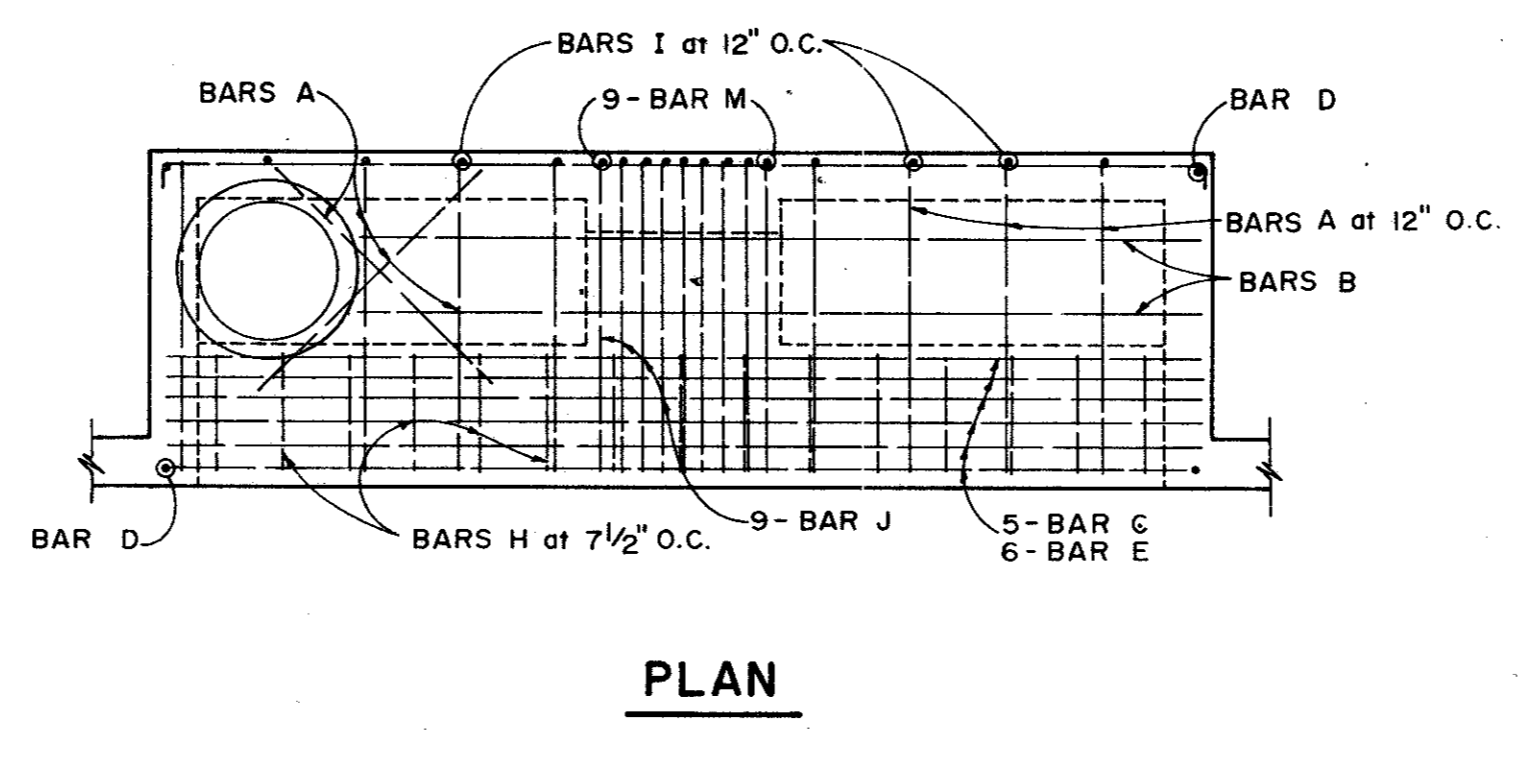
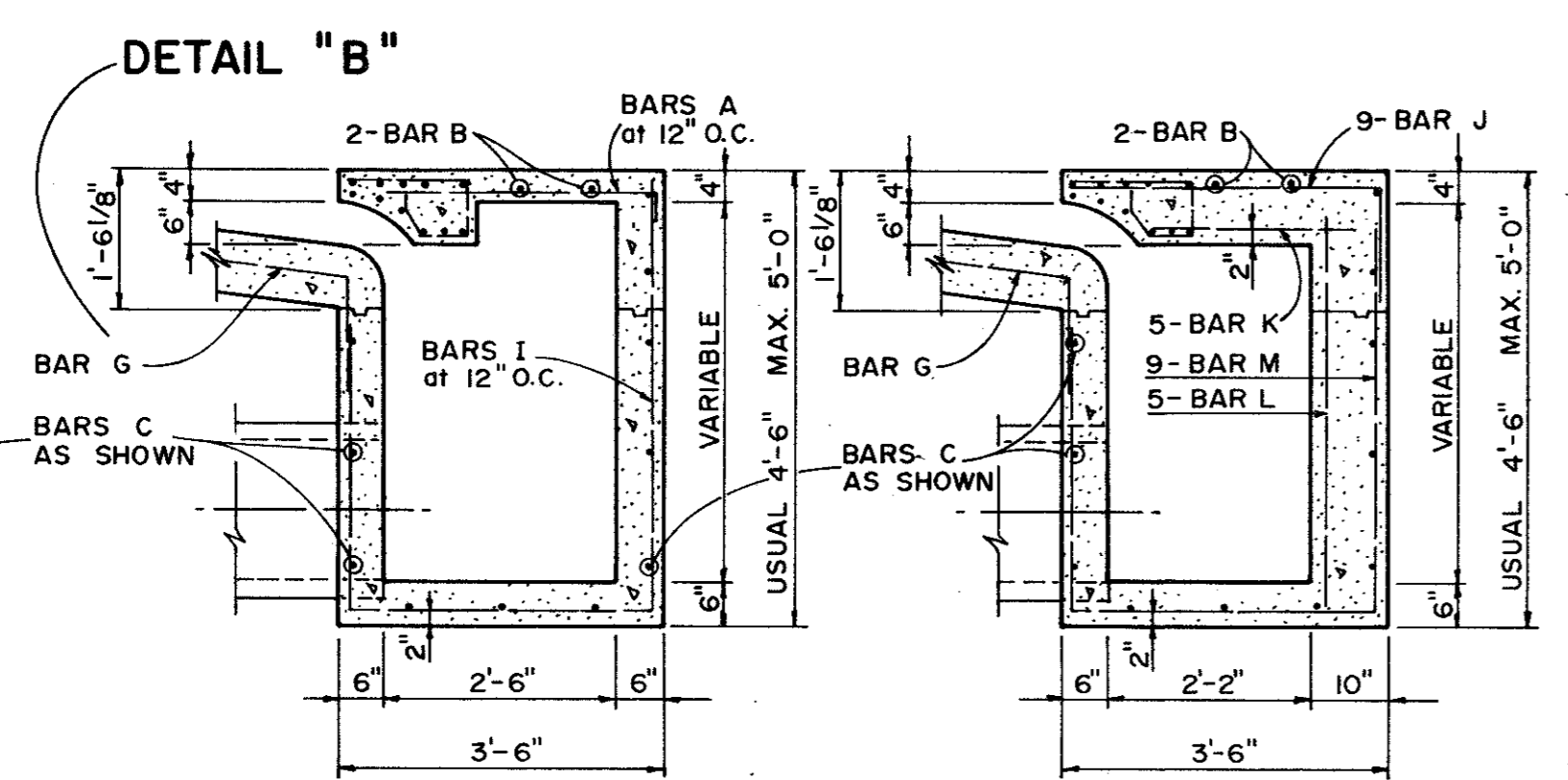
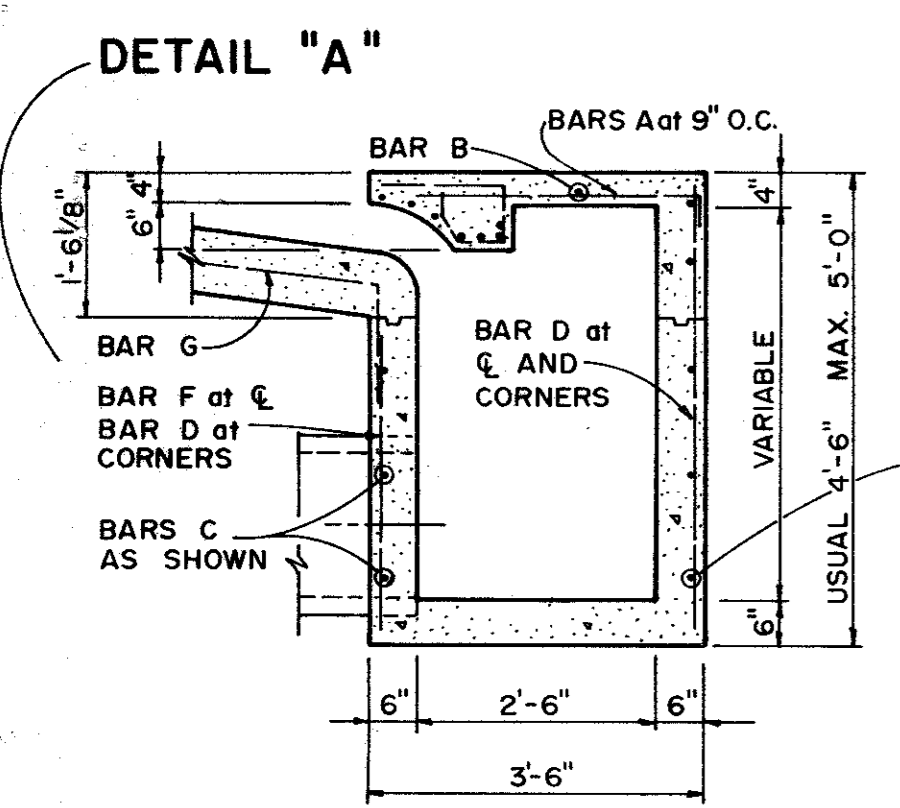
BAR DIAGRAMS

REINFORCING STEEL SCHEDULE

DIMENSIONS SHOWN ARE FOR MAXIMUM SIZE INLETS

INLET LENGTH	BAR TYPE	BAR DIA (1/8 IN.)	NO. REQ'D	BAR DIMENSIONS		
				A	B	C
5	A	3	9	3'-2"	0'-3"	-
	B	3	1	3'-10"	-	-
	C	4	15	5'-8"	0'-6"	-
	D	4	5	4'-8"	-	-
	F	4	1	3'-2"	-	-
	G	3	5	2'-0"	1'-3"	-
	H	3	3	*	*	*
10	A	3	10	3'-2"	-	-
	B	3	2	8'-10"	-	-
	C	4	16	10'-8"	0'-6"	-
	D	4	4	4'-8"	-	-
	E	5	6	10'-8"	-	-
	G	3	5	2'-0"	1'-3"	-
	H	3	15	*	*	*
	I	4	8	4'-6"	3'-2"	3'-2"
	J	5	9	3'-2"	1'-3"	-
	K	4	5	2'-3"	-	-
	L	4	5	4'-3"	-	-
	M	5	9	4'-3"	3'-2"	3'-9"
14	A	3	14	3'-2"	0'-3"	-
	B	3	2	10'-10"	-	-
	C	4	16	14'-8"	0'-6"	-
	D	4	4	4'-8"	-	-
	E	5	6	14'-8"	-	-
	G	3	5	2'-0"	1'-3"	-
	H	3	21	*	*	*
	I	4	12	4'-8"	3'-2"	3'-2"
	J	5	9	3'-3"	1'-3"	-
	K	4	5	2'-3"	-	-
	L	4	5	4'-3"	-	-
	M	5	9	4'-3"	3'-2"	3'-9"

* SEE DIAGRAM FOR DIMENSIONS



QUORUM

STANDARD CONSTRUCTION DETAILS

STANDARD (TYPE I) AND RECESSED (TYPE II) INLETS

DEPARTMENT OF PUBLIC WORKS

CITY OF DALLAS, TEXAS

DESIGN	DRAWN	DATE	SCALE	NOTES	FILE	SHEET NO.
WBP			NONE		424 Q	22 of 22