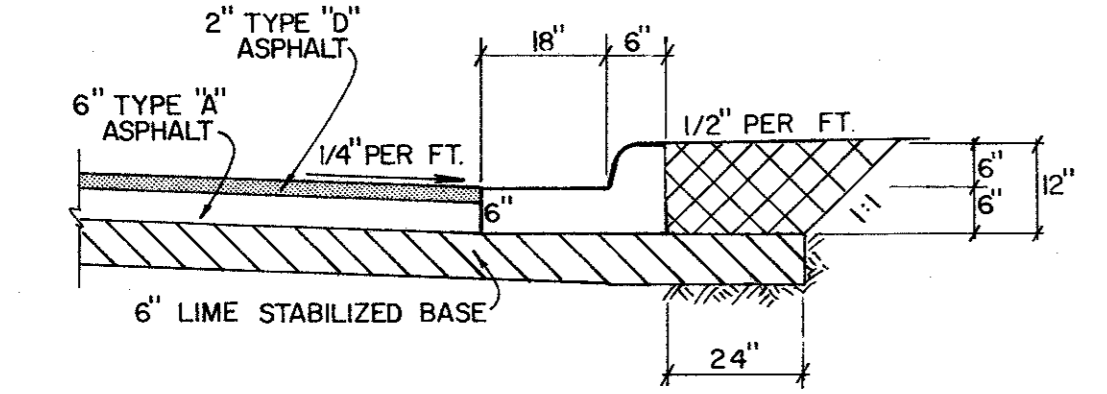
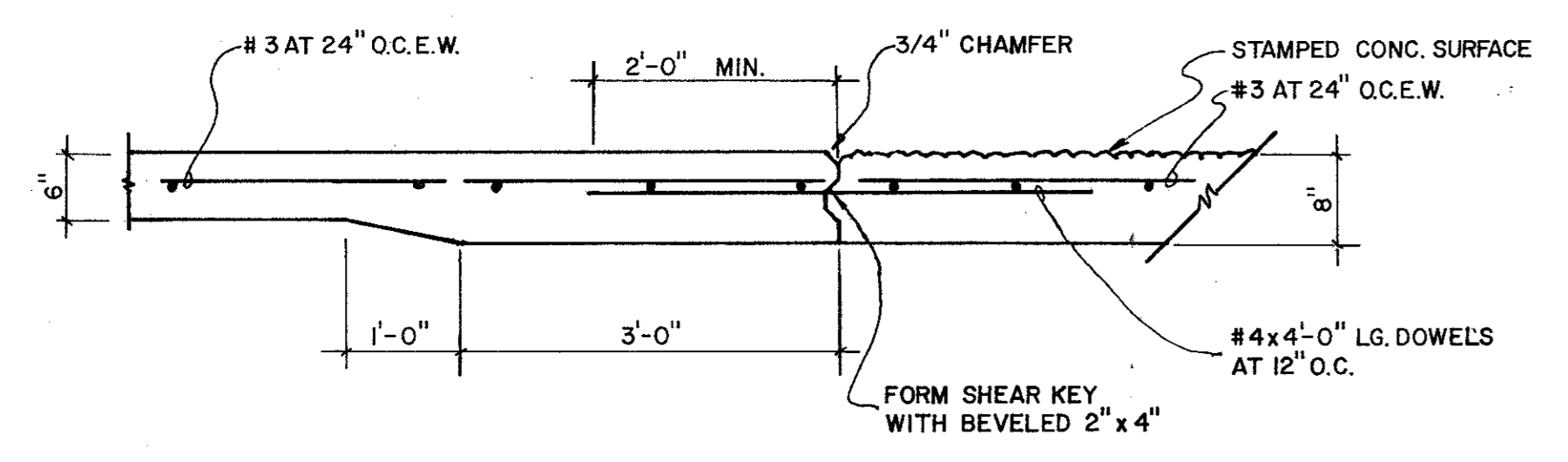


TYPICAL PAVEMENT & GRADING SECTION - SECTION X-X

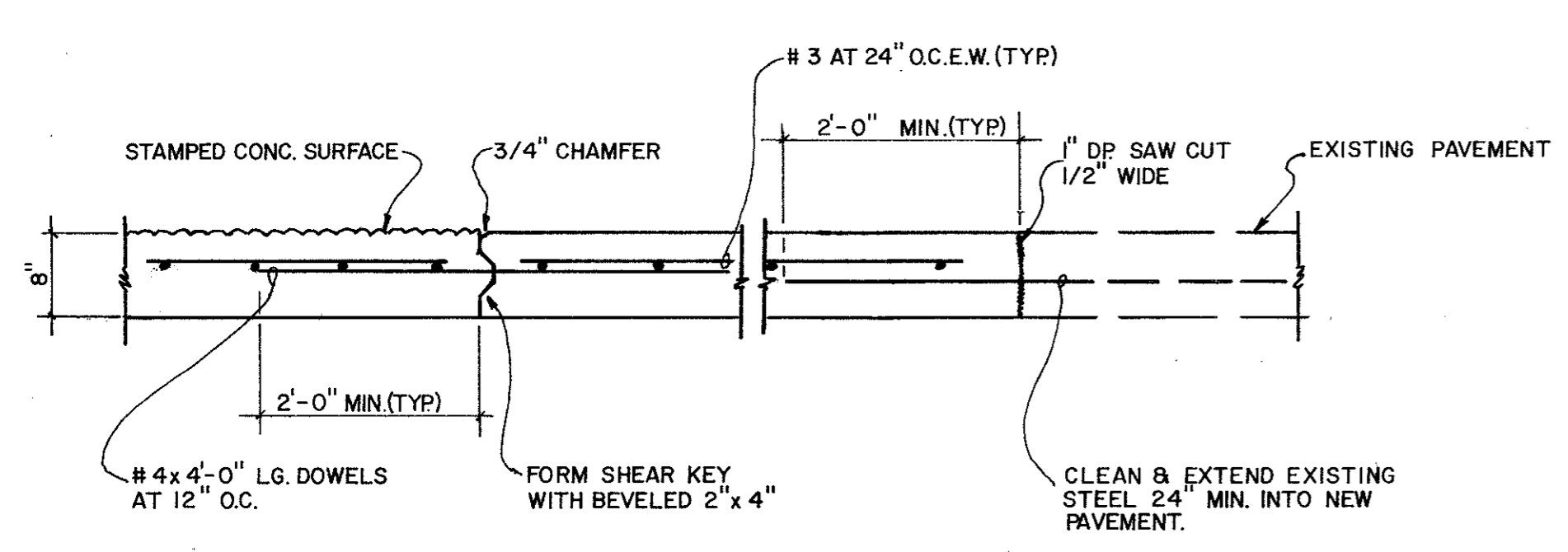
NOTE: CONCRETE SHALL BE 3,000 P.S.I. AT 28 DAYS. LIME SHALL BE SLURRY MIXED PRIOR TO APPLICATION. REINFORCING SHALL BE NO. 3 AT 24" O.C.E.W.



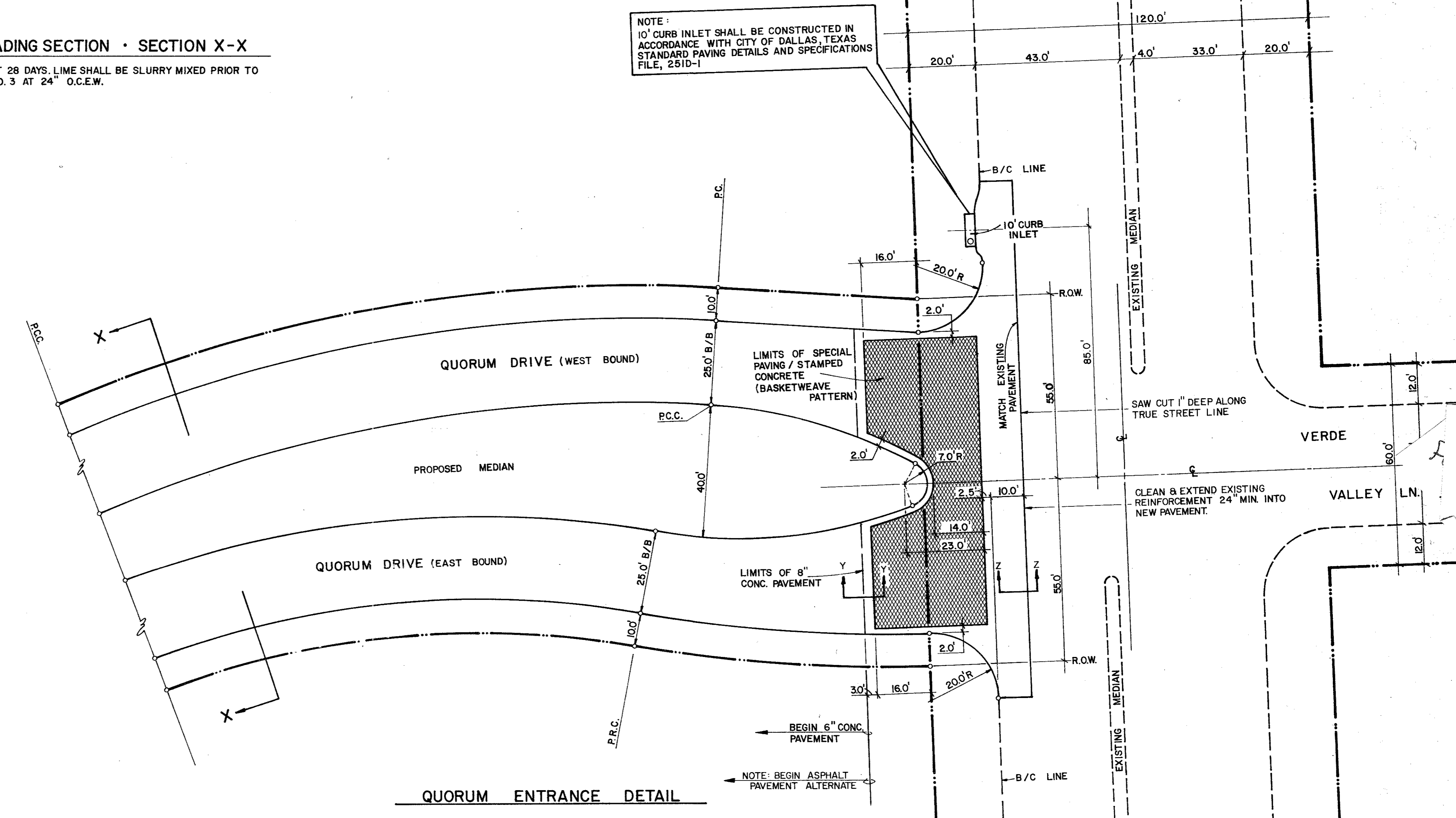
ALTERNATE ASPHALT PAVEMENT SECTION



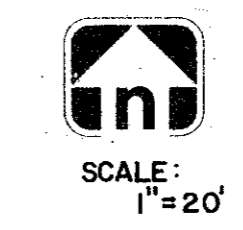
SECTION Y-Y



SECTION Z-Z



NOTE: 10' CURB INLET SHALL BE CONSTRUCTED IN ACCORDANCE WITH CITY OF DALLAS, TEXAS STANDARD PAVING DETAILS AND SPECIFICATIONS FILE, 251D-1



PAVING DETAILS
QUORUM
 ADDISON, TEXAS