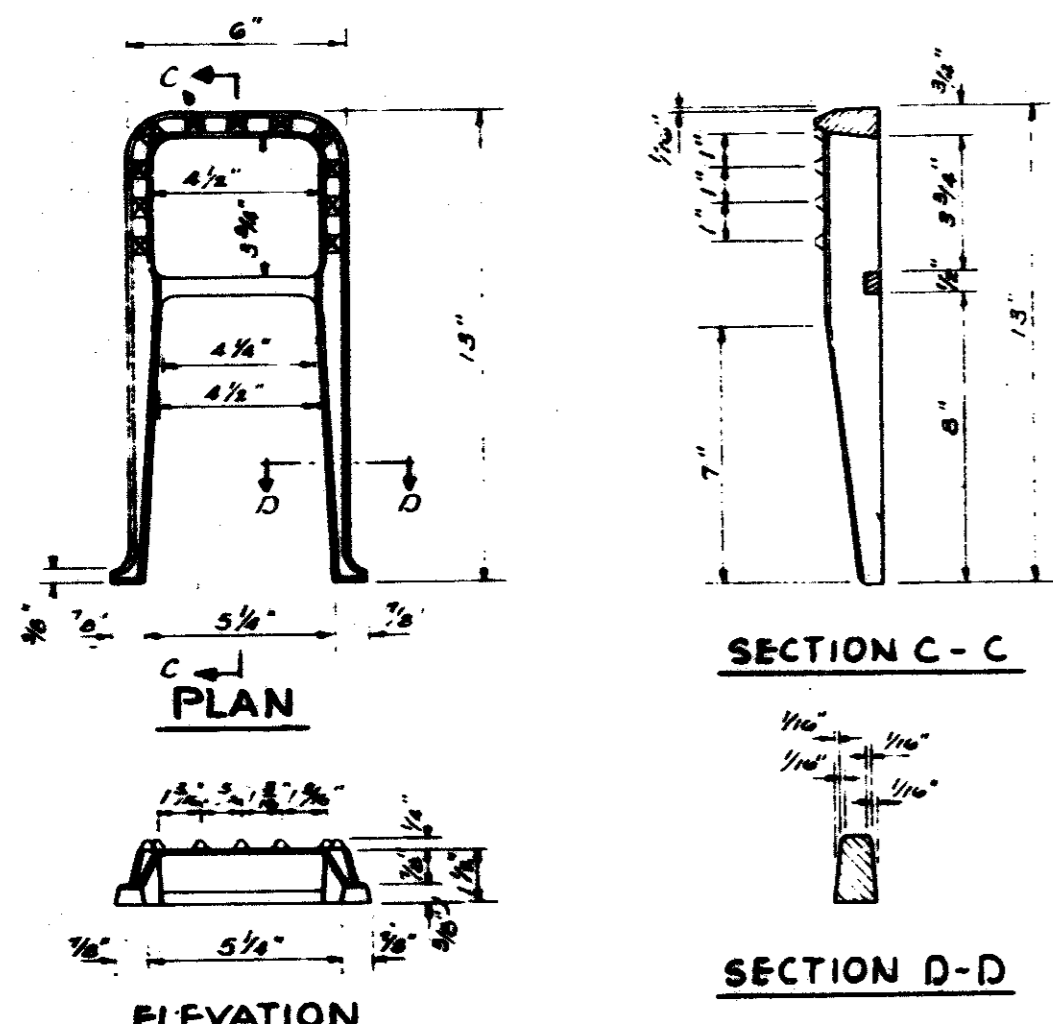
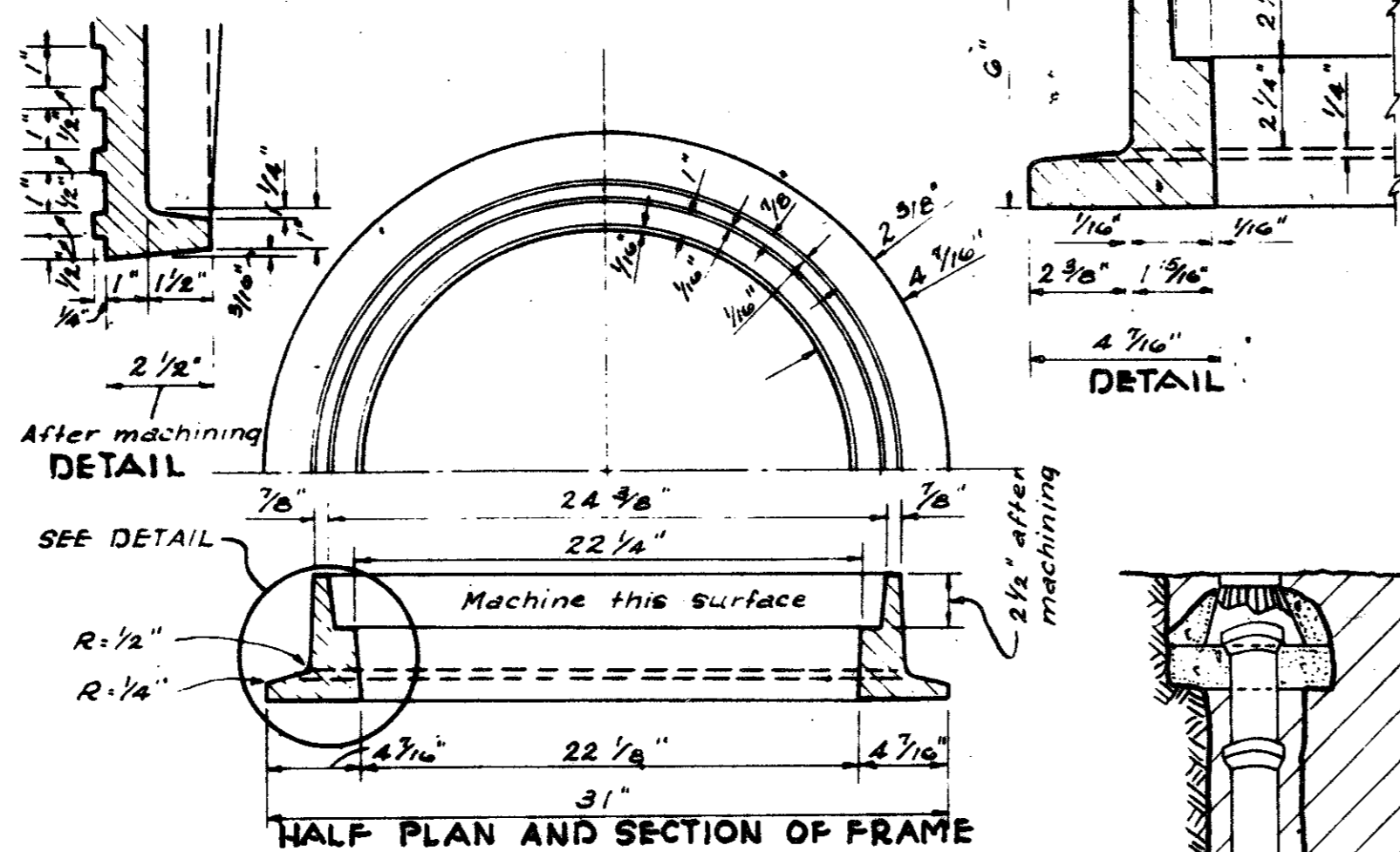


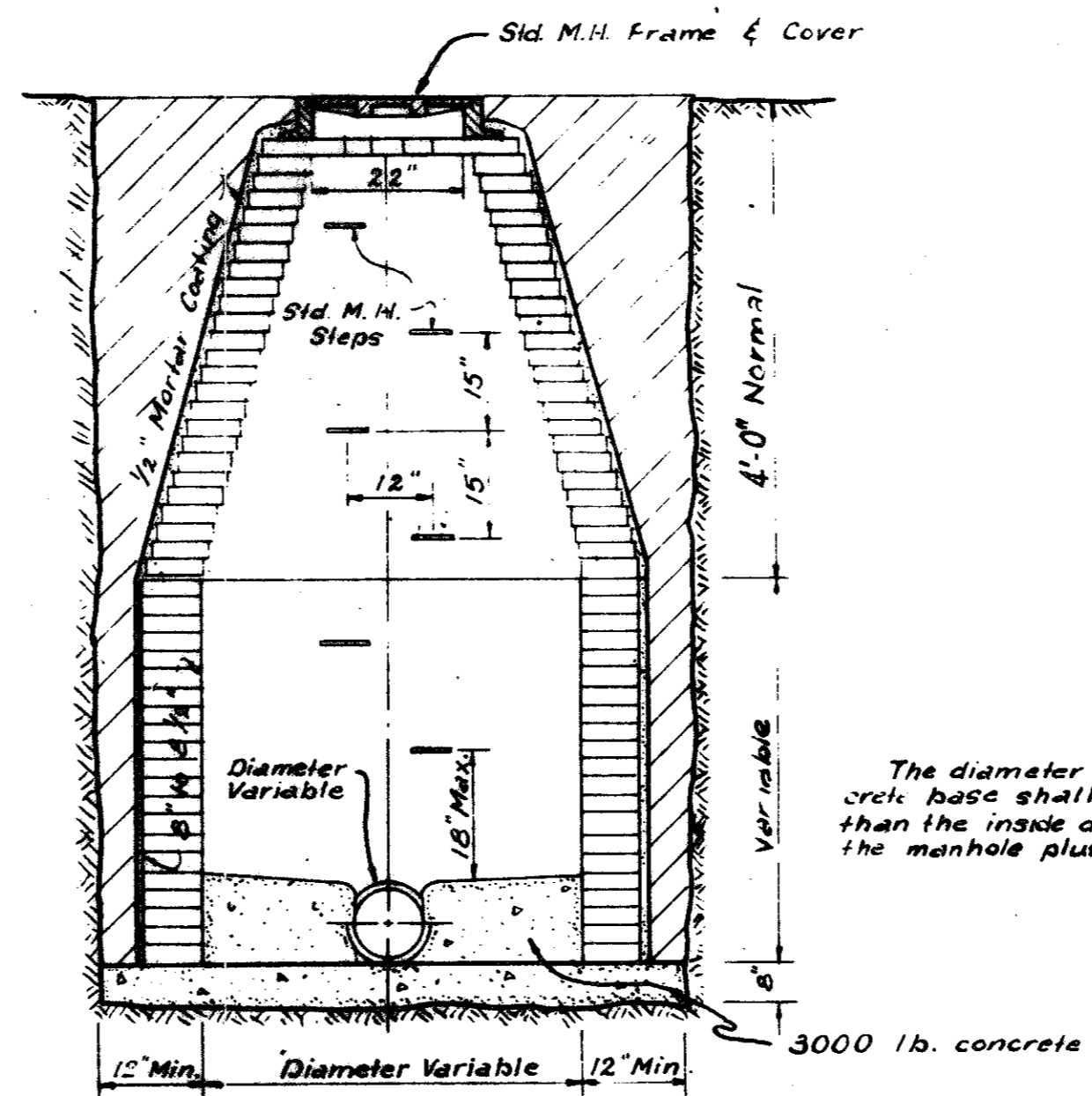
STANDARD WATER TIGHT - SOLID SEAL MANHOLE FRAME AND COVER
TO BE USED ON STANDARD MANHOLE
 As Manufactured by DALLAS FOUNDRY
 NO 975-2 or approved equal.
 Wgt 410 pounds.



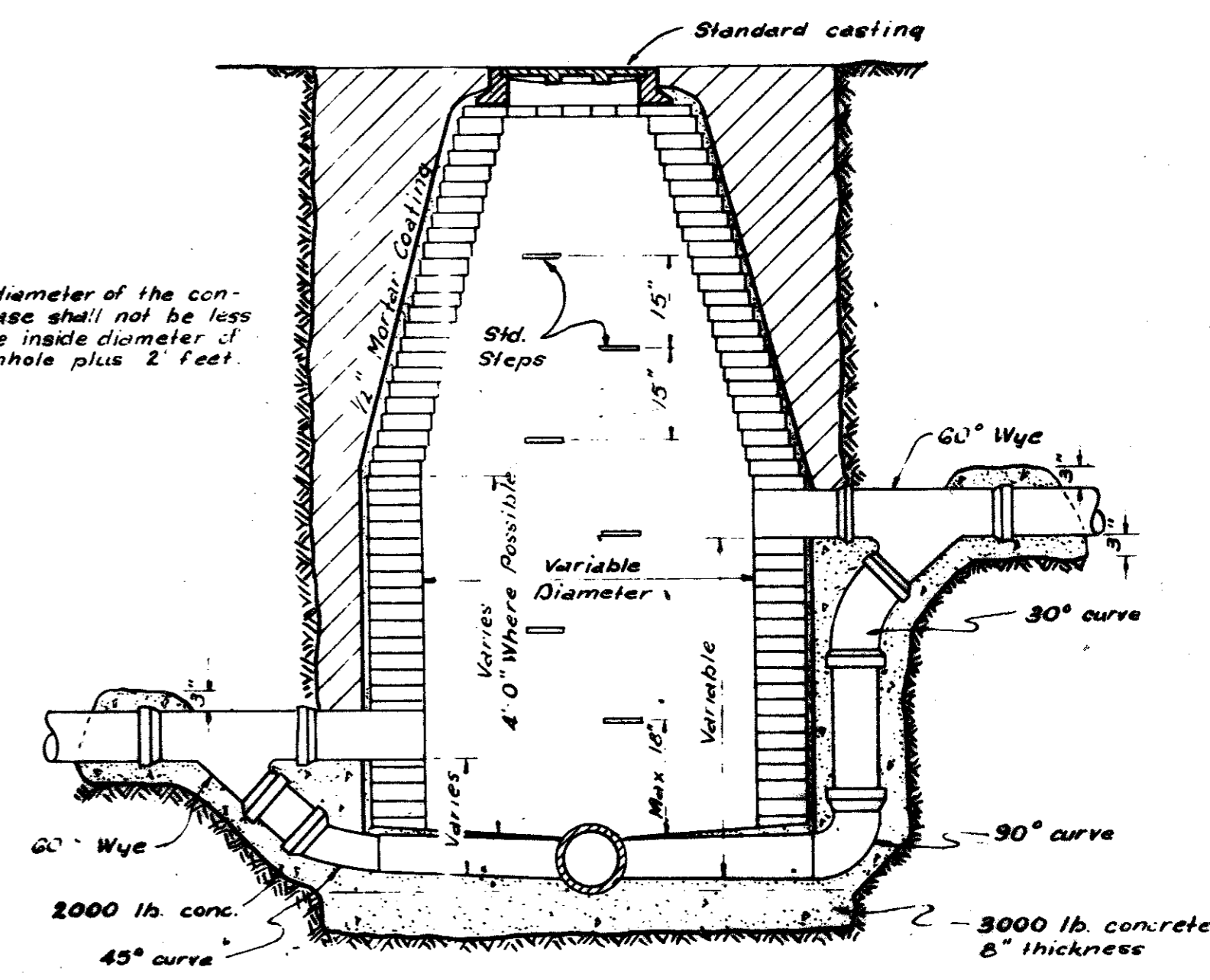
STANDARD C.I. MANHOLE STEP
 STORM SEWER & SANITARY SEWER



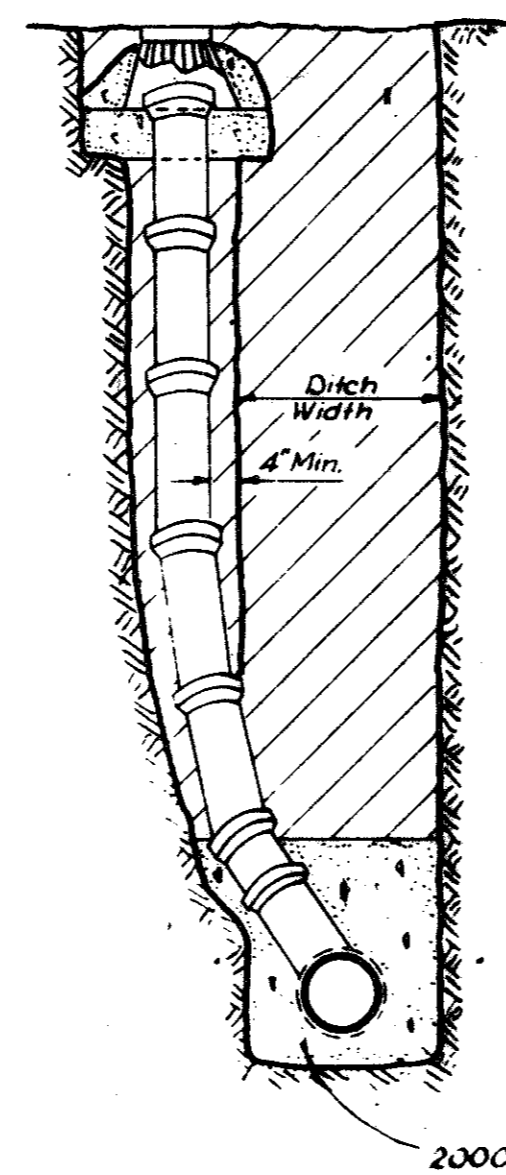
STANDARD C.I. MANHOLE FRAME & COVER
 As Manufactured by DALLAS FOUNDRY NO 700-8 or
 approved equal. Wgt 400 pounds.



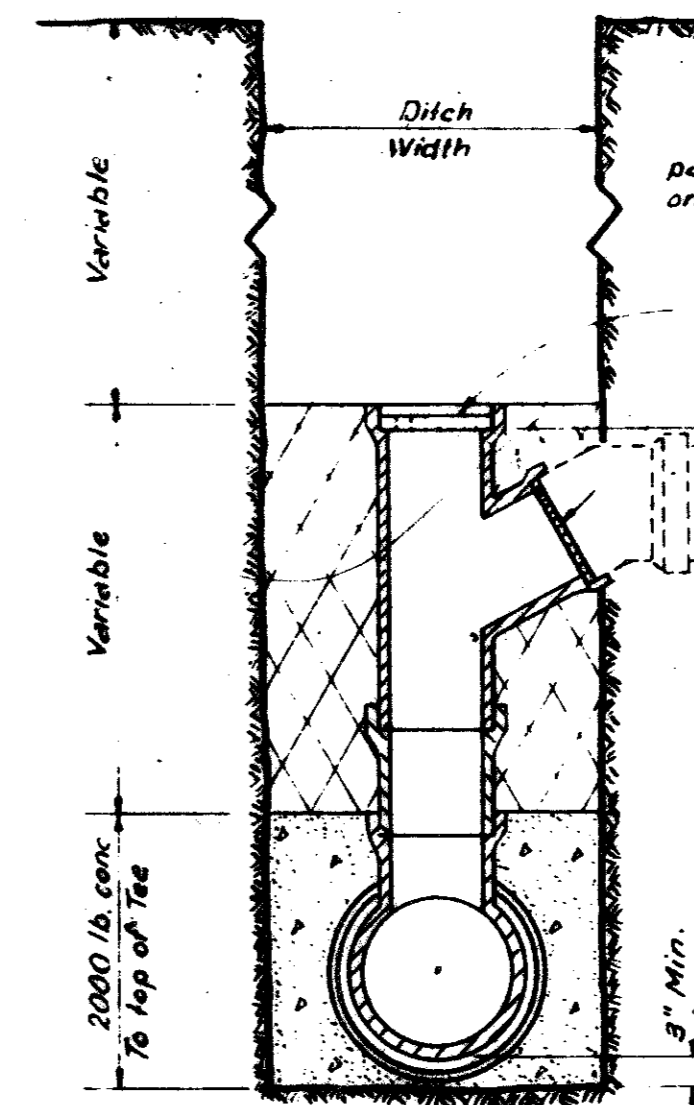
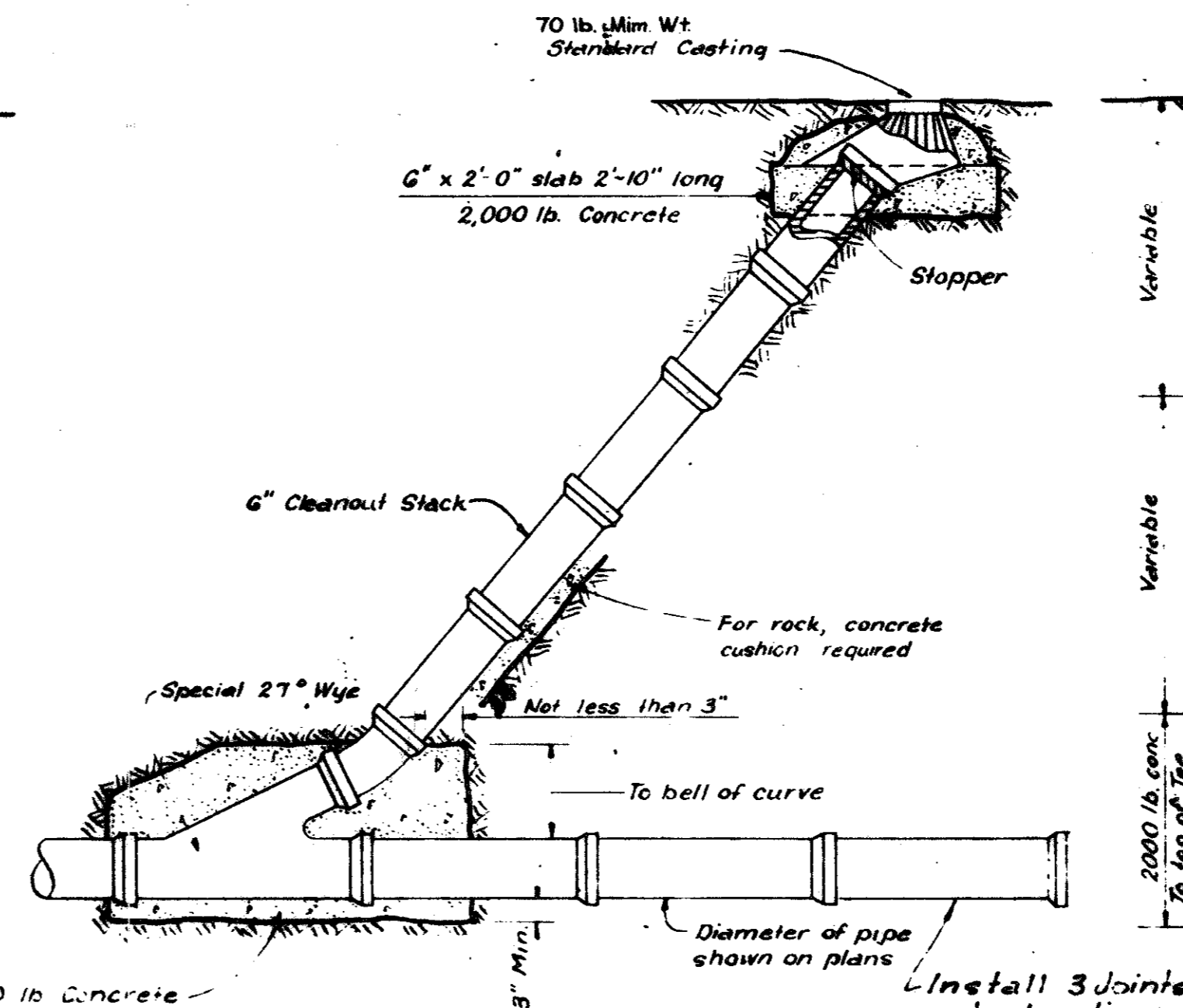
STANDARD MANHOLE



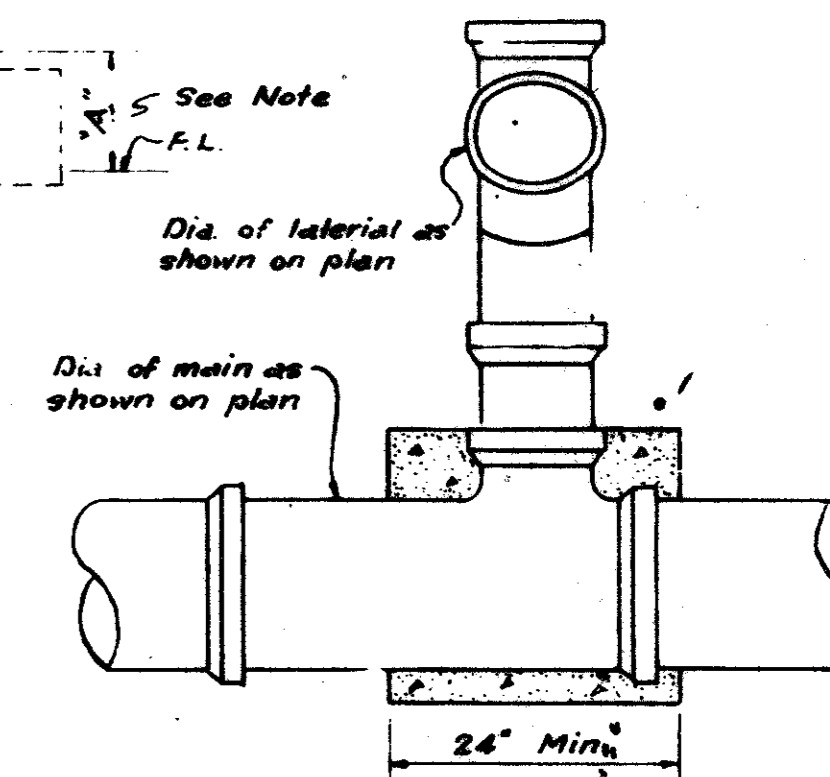
STANDARD DROP CONNECTION MANHOLE



STANDARD CLEANOUT



END ELEVATION

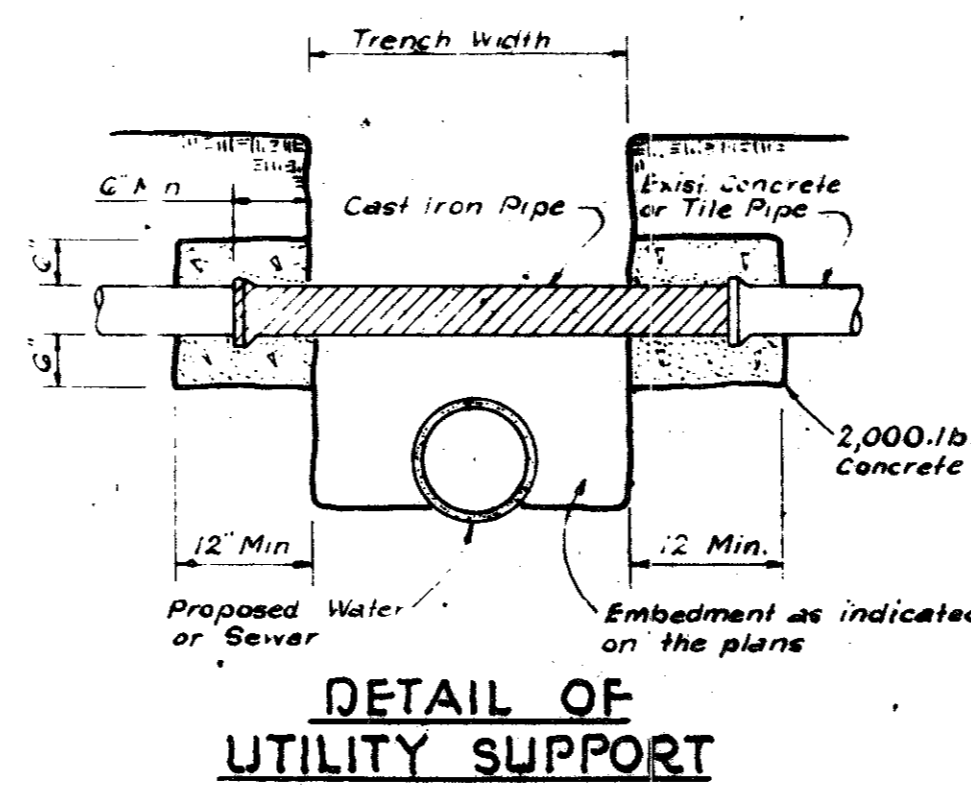


SIDE ELEVATION

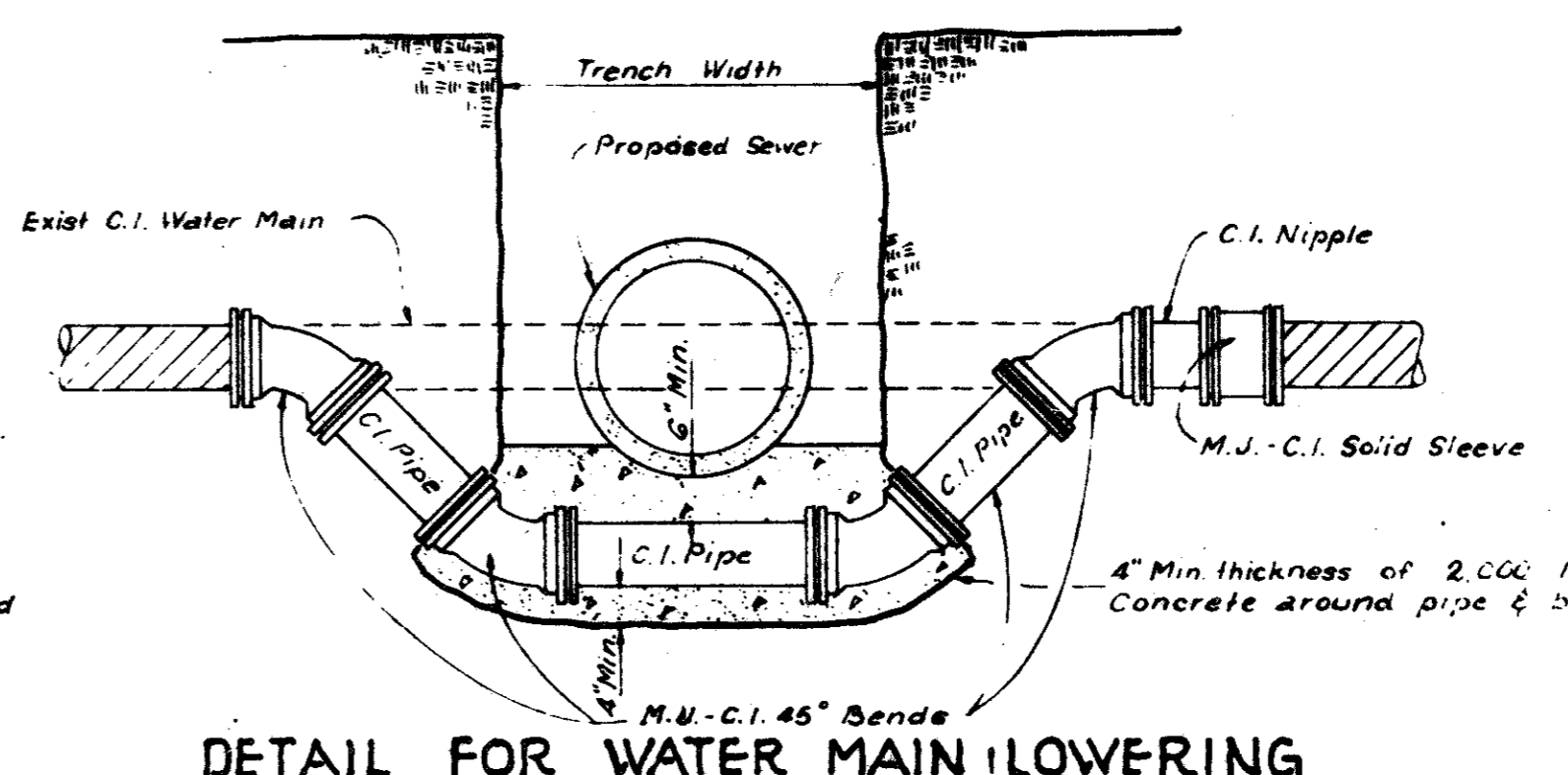
DROP CONNECTION

NOTE

Pipe Size	"
6"	5 1/2"
8"	8 1/2"
10"	10 3/4"
12"	12 7/8"



DETAIL OF UTILITY SUPPORT



DETAIL FOR WATER MAIN LOWERING

REVISED MARCH, 1978 L.E.D.
 REVISED MARCH, 1975 J.H.D.

QUORUM

SANITARY SEWER DETAILS

Graham Associates, Inc.
 CONSULTING ENGINEERS & PLANNERS

DESIGN	DRAWN	CHECKED	DATE	SCALE	SHEET NO.
R.E.W.	R.L.D.	D.P.	3-1-79	NONE	8 OF 22