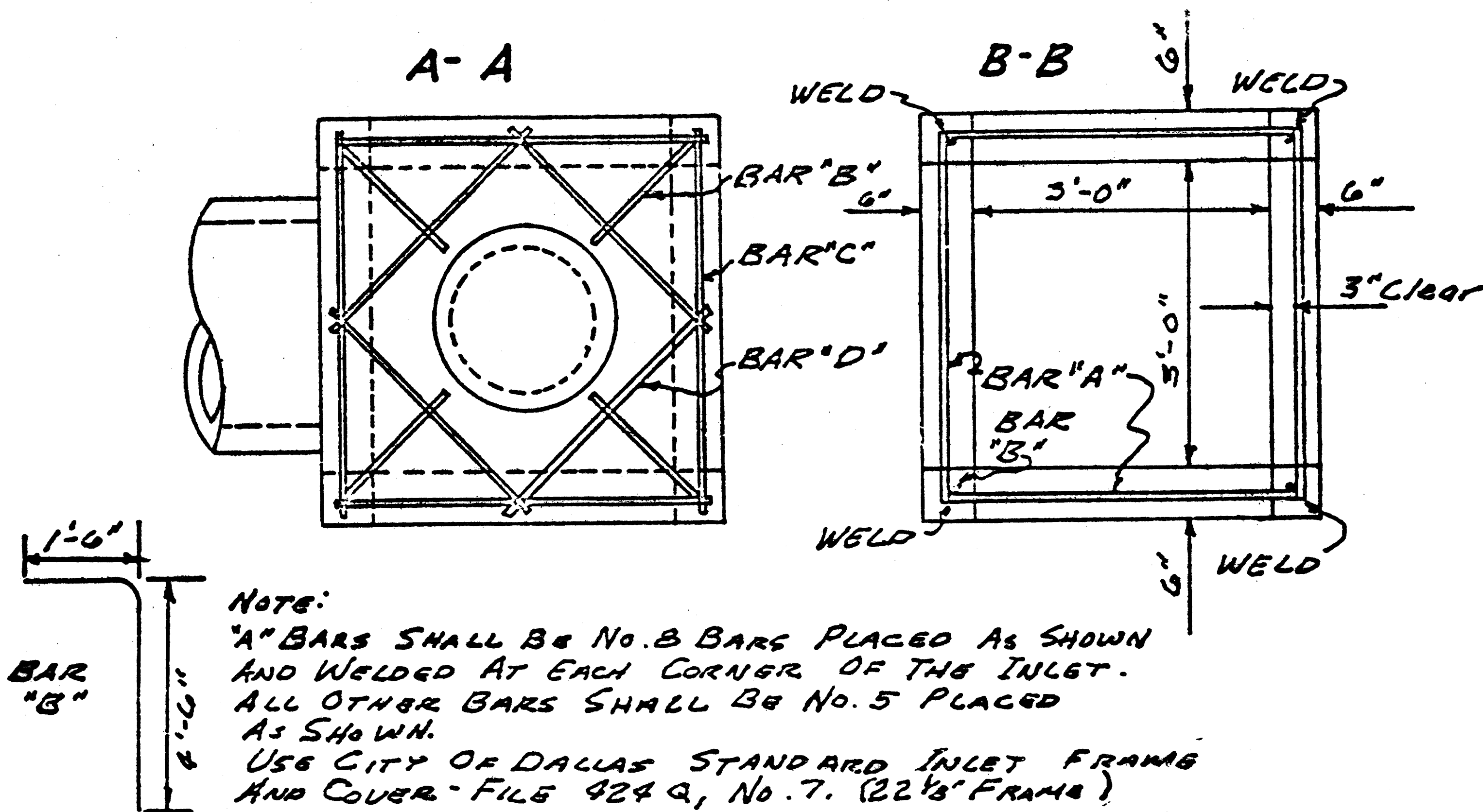
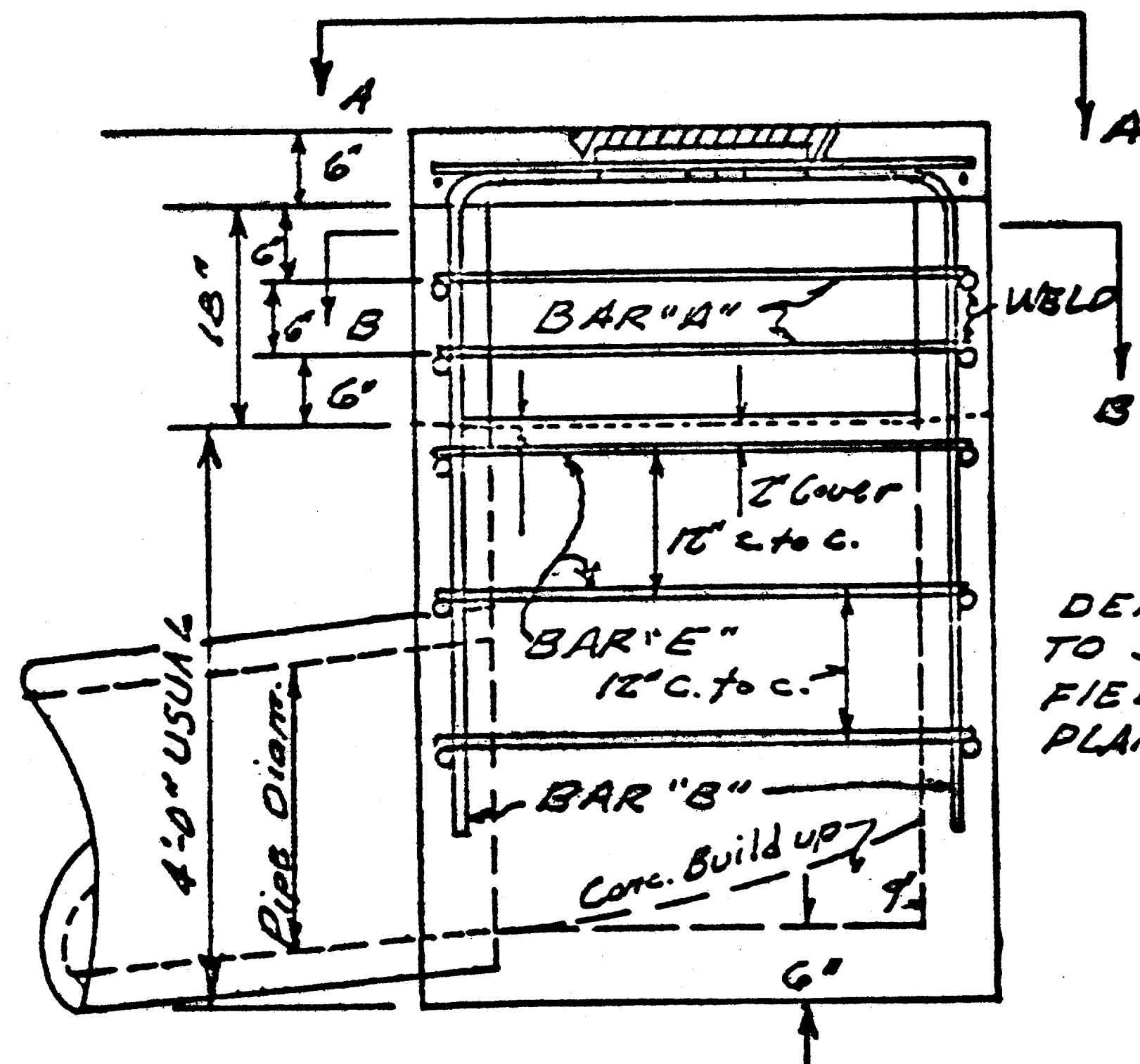


SPECIAL "Y" INLET
Scale: 1/2" = 1'

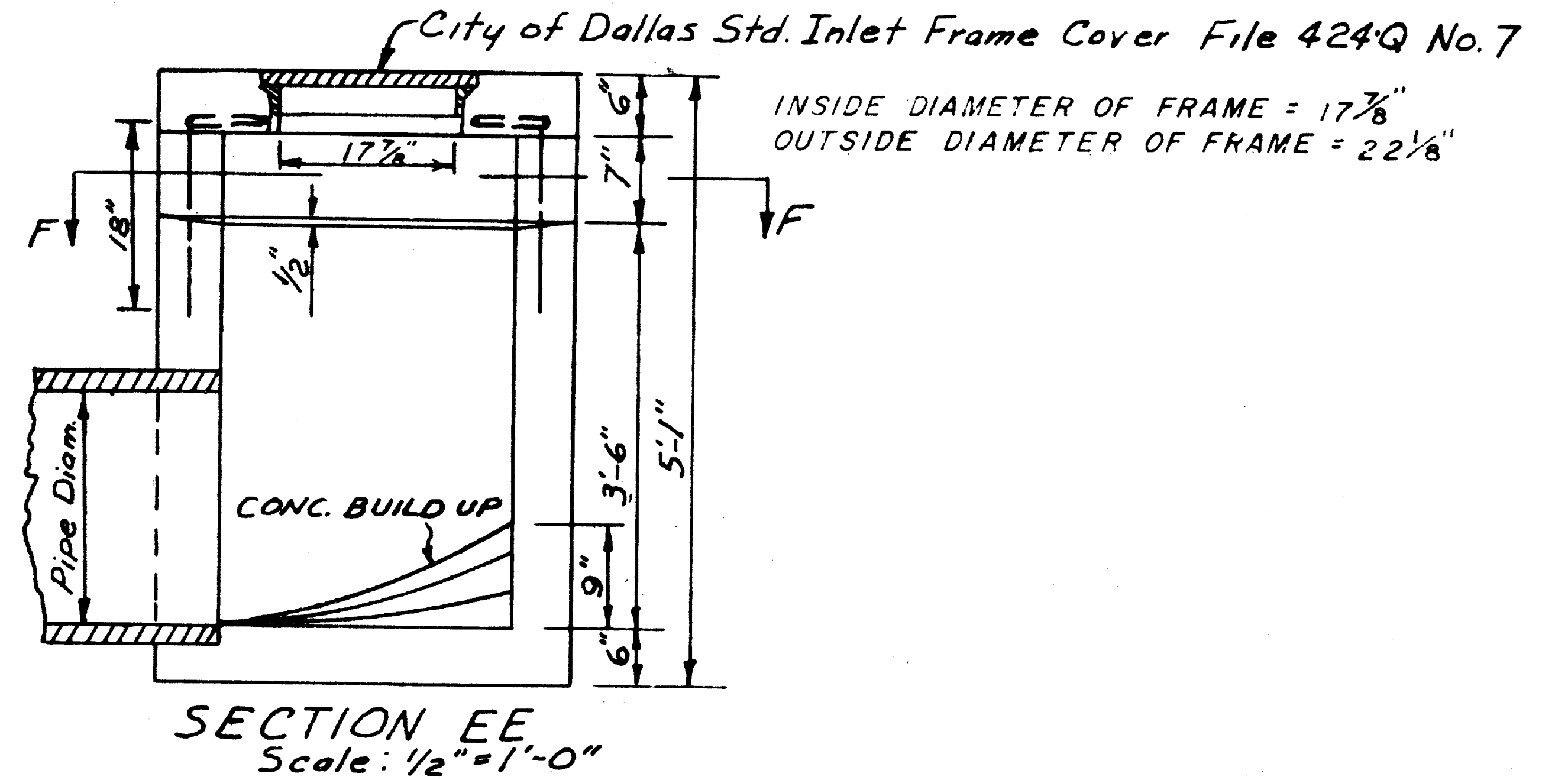
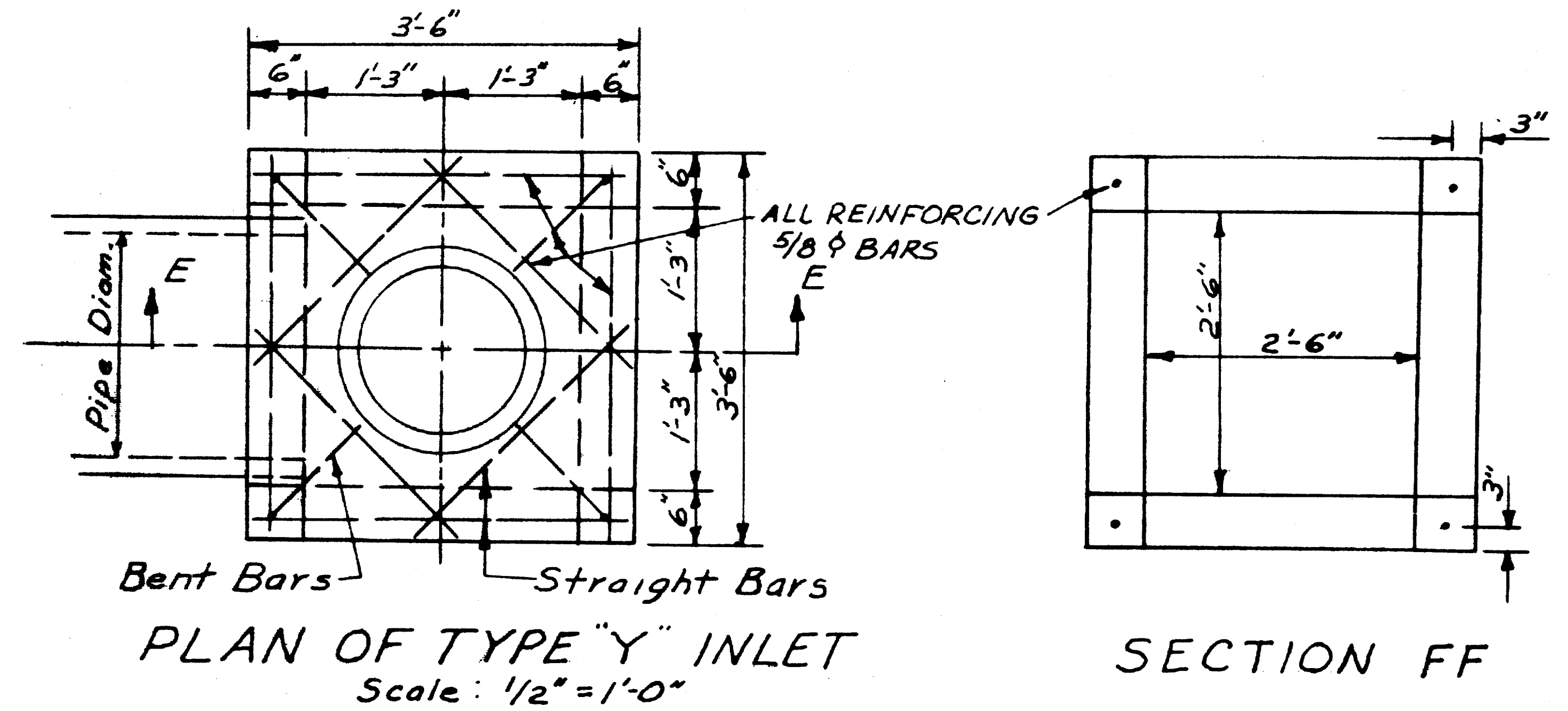


NOTE:

"A" BARS SHALL BE NO. 8 BARS PLACED AS SHOWN AND WELDED AT EACH CORNER OF THE INLET. ALL OTHER BARS SHALL BE NO. 5 PLACED AS SHOWN.
USE CITY OF DALLAS STANDARD INLET FRAME AND COVER - FILE 424 Q, NO. 7. (22 1/8" FRAME)



DEPTH OF INLET MAY VARY TO SUIT CONDITION IN THE FIELD OR AS SPECIFIED ON PLANS.



QUORUM

RA
8/6/80

All CONC. TO BE 3000 P.S.I.
Rev: 5-6-52 Reduce Throat Opening

STANDARD CITY OF DALLAS					
TYPE "Y" INLET					
DEPARTMENT OF PUBLIC WORKS					
DRAWN	TRACED	DATE	SCALE	FILE	SHEET
H.C.	R.E.H.	JUNE 30	NO. ED	424	20 of 22