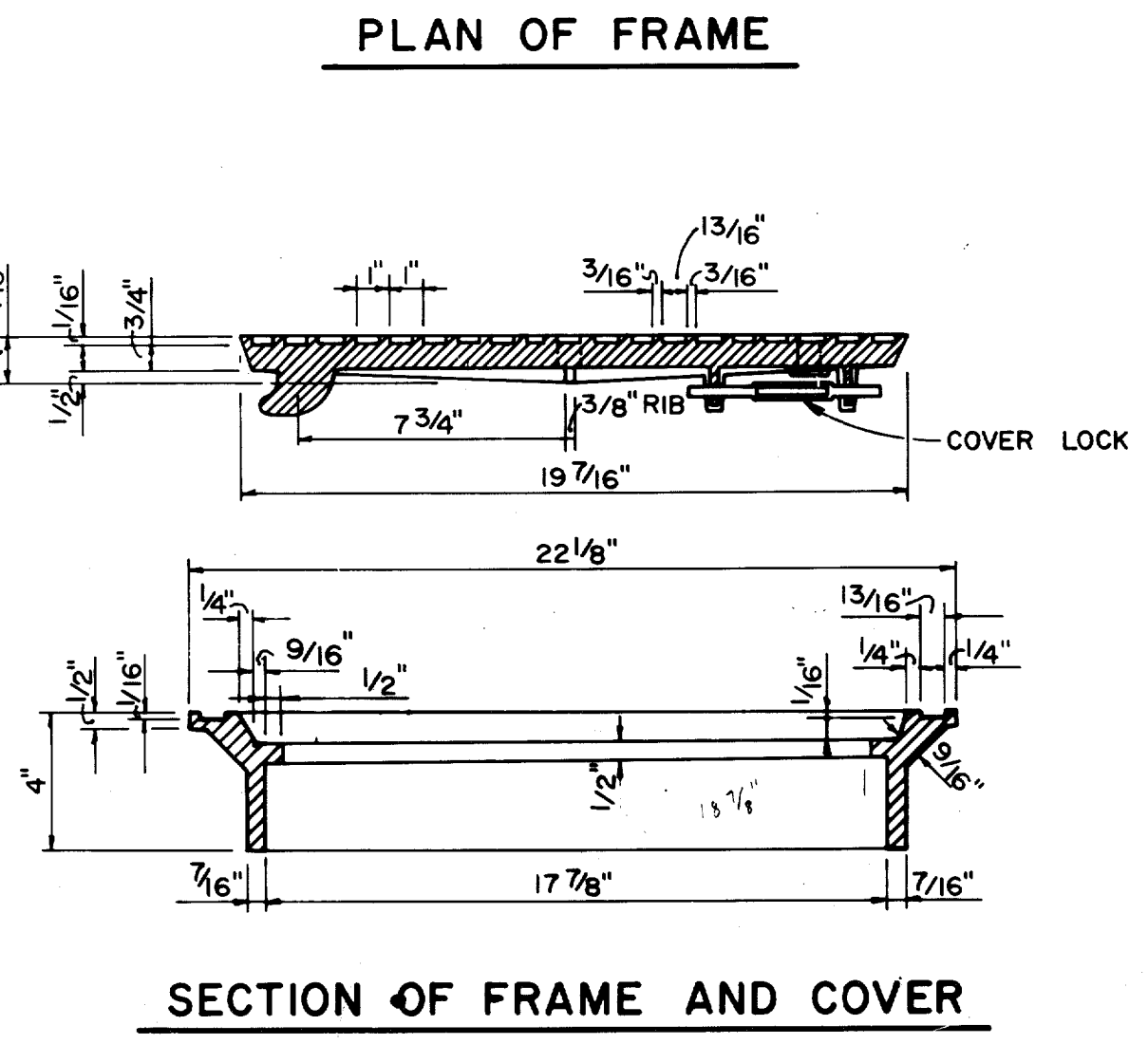
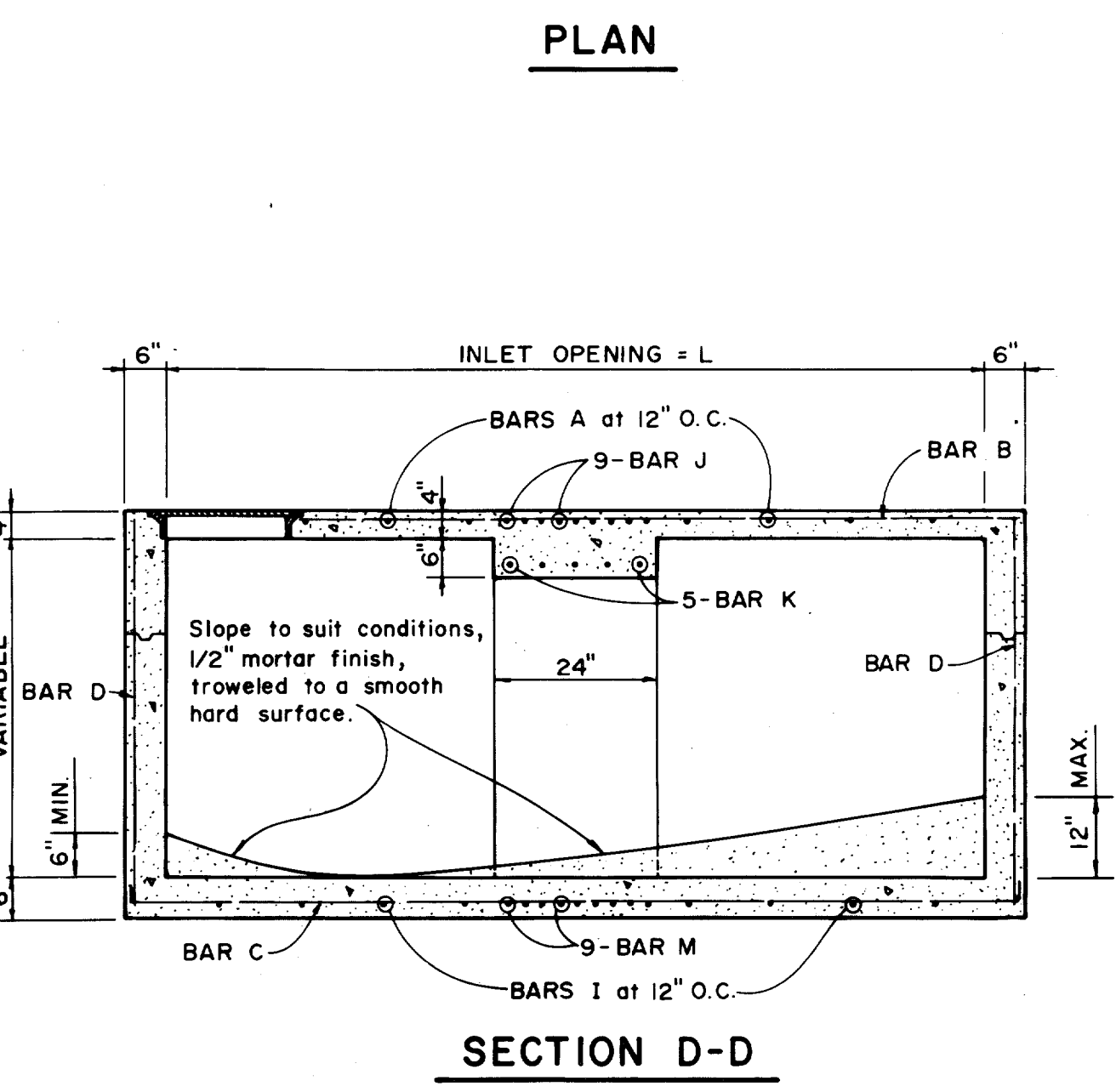
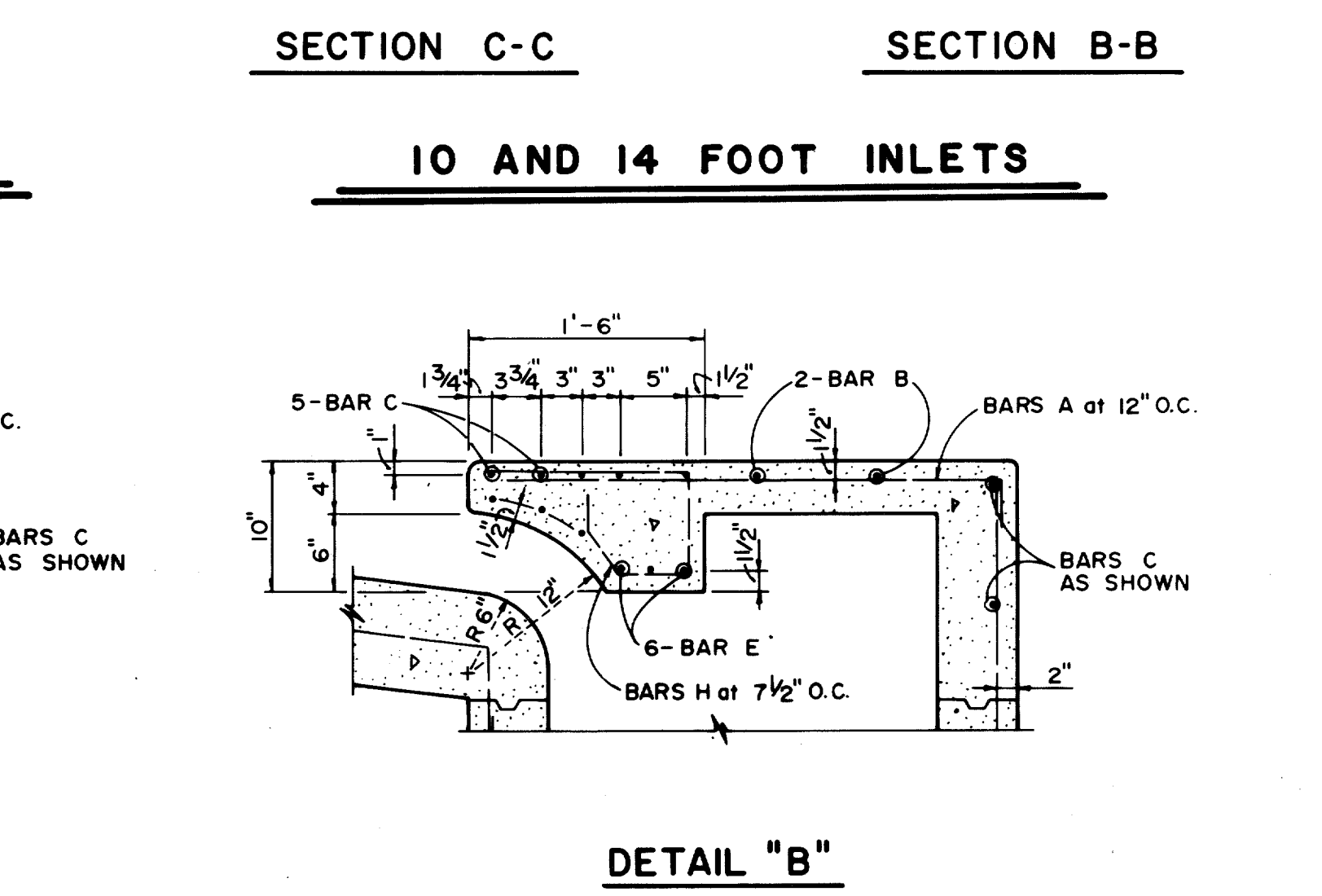
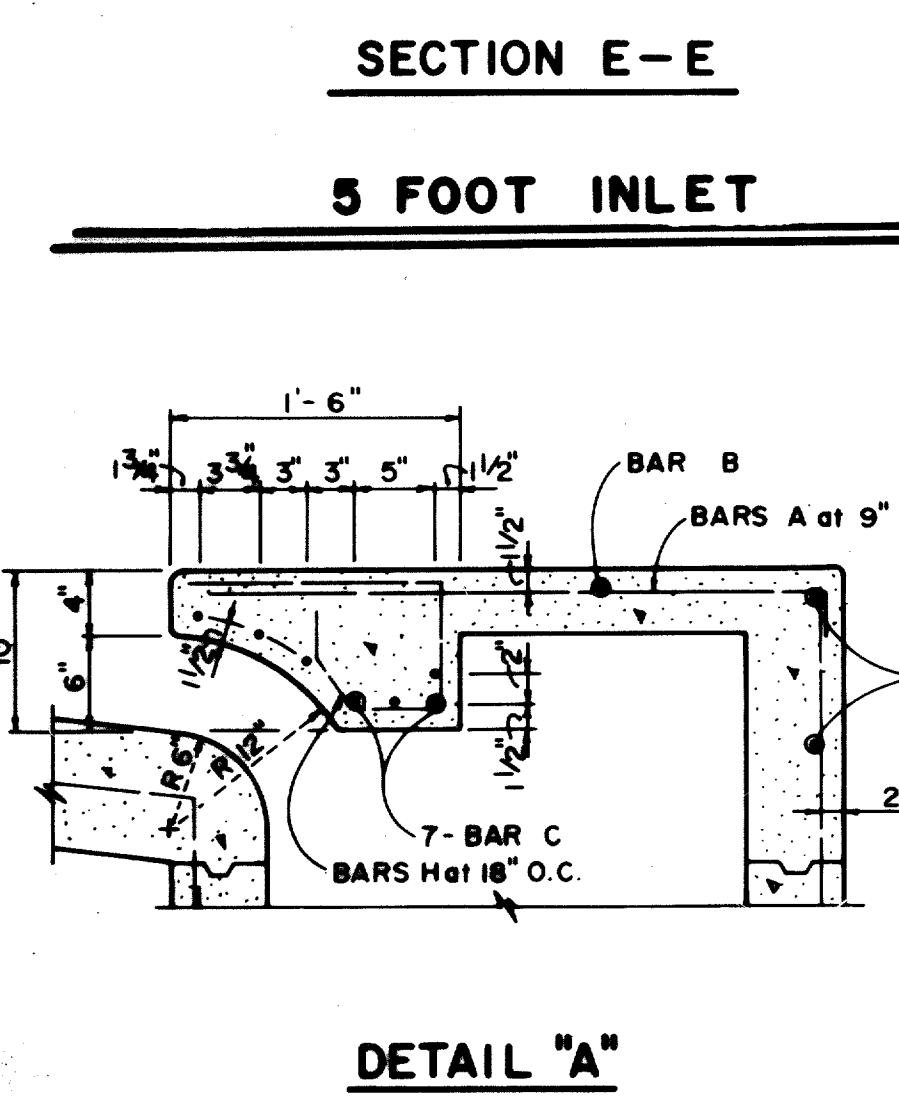
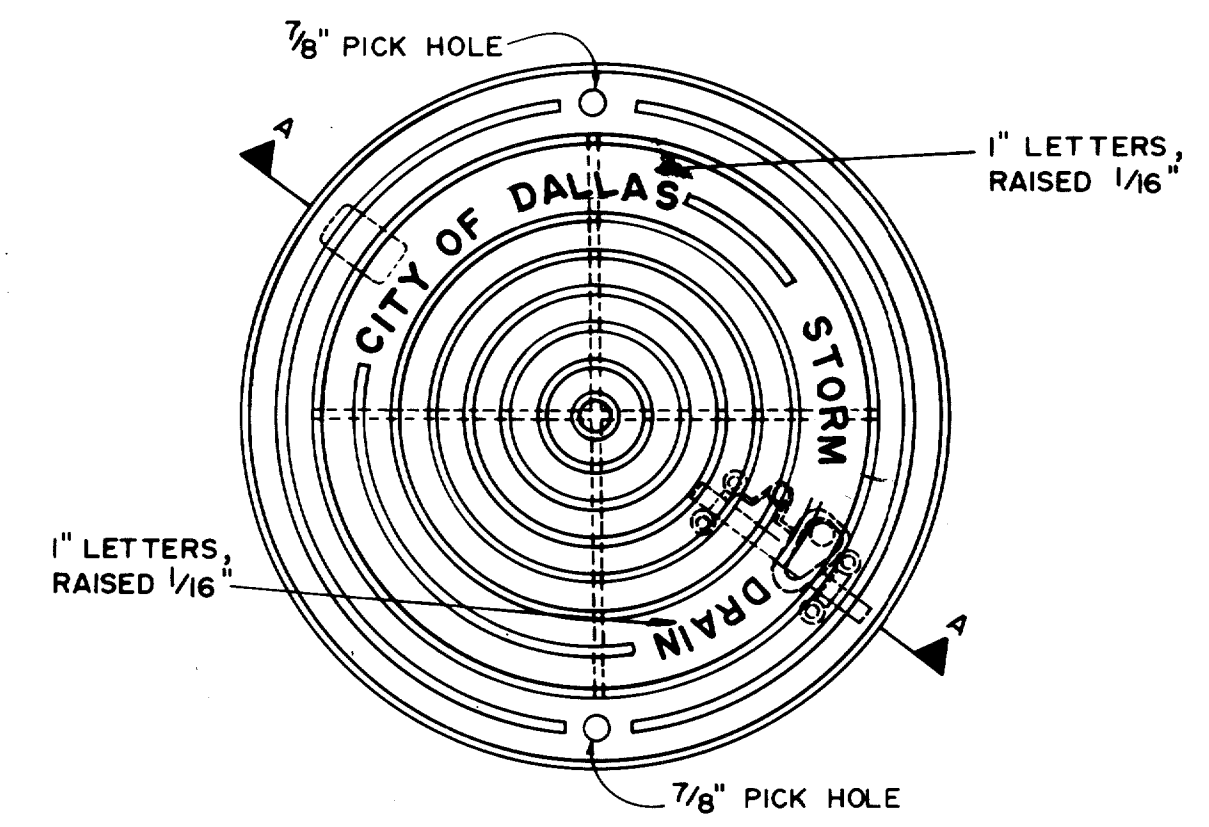
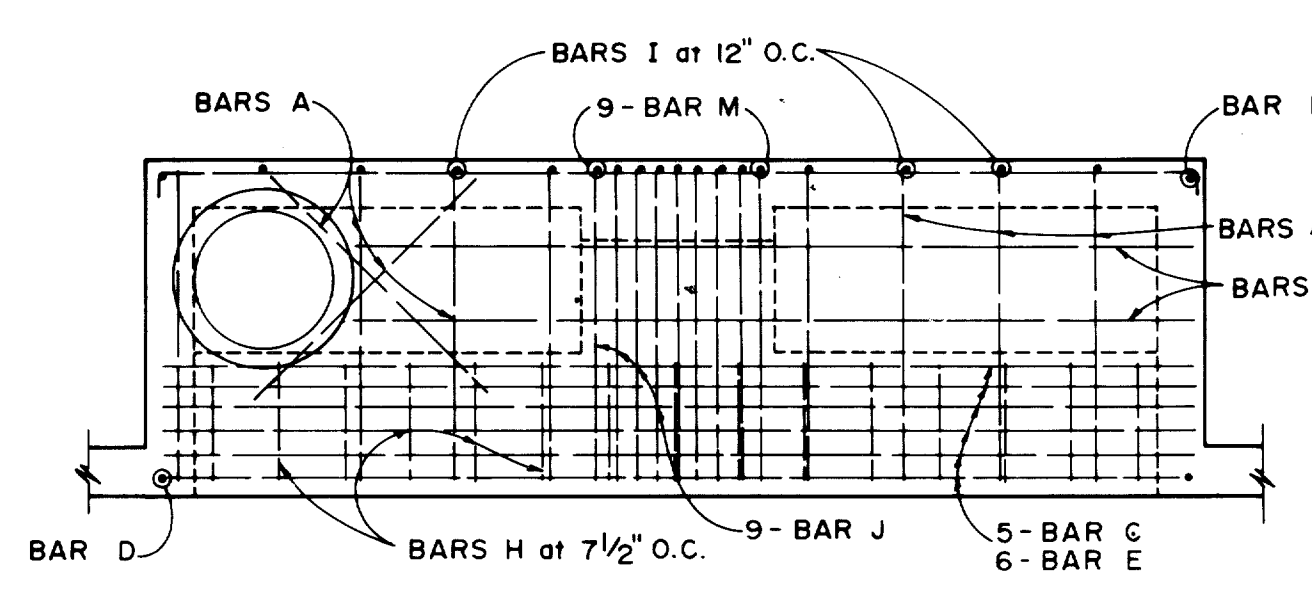
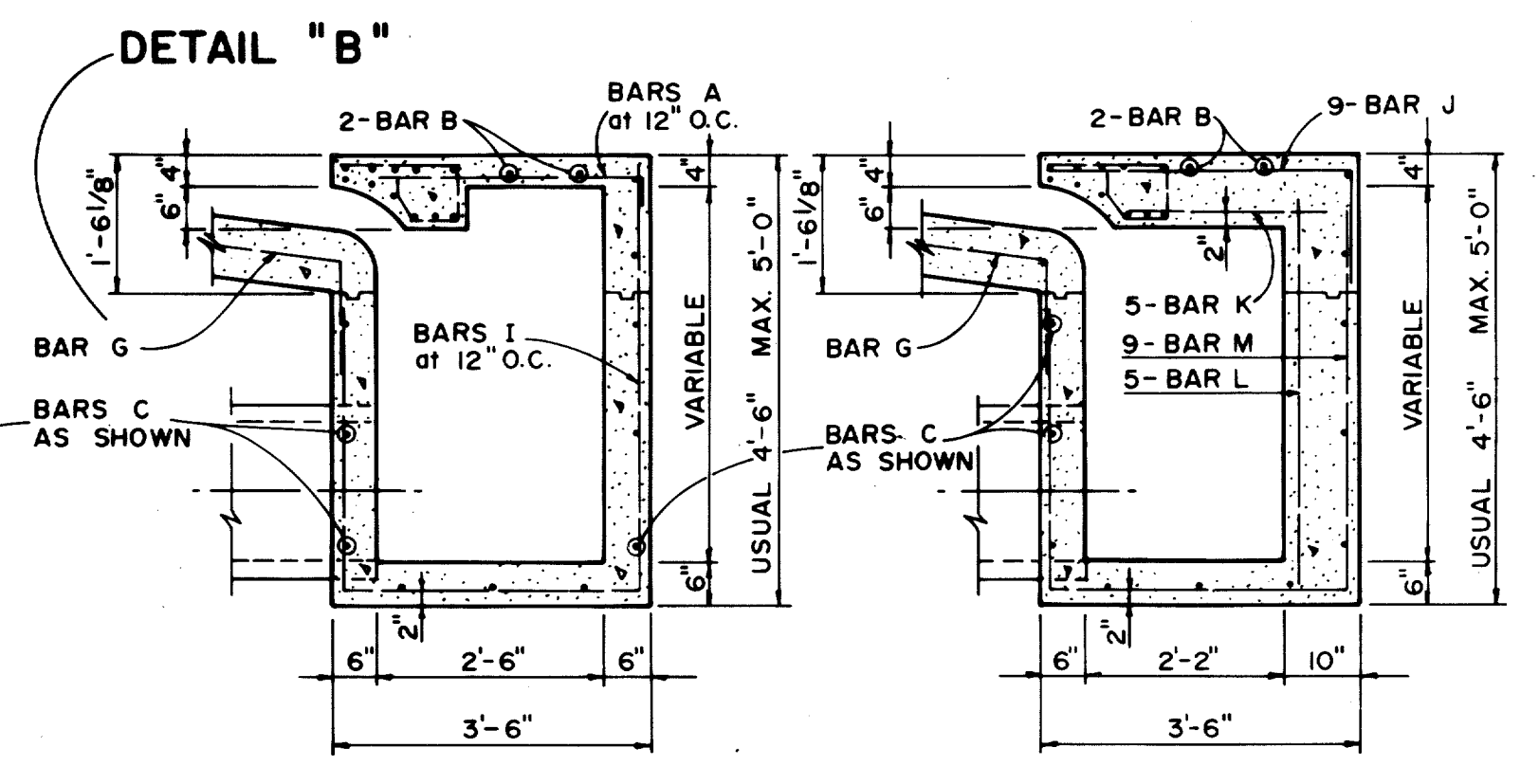
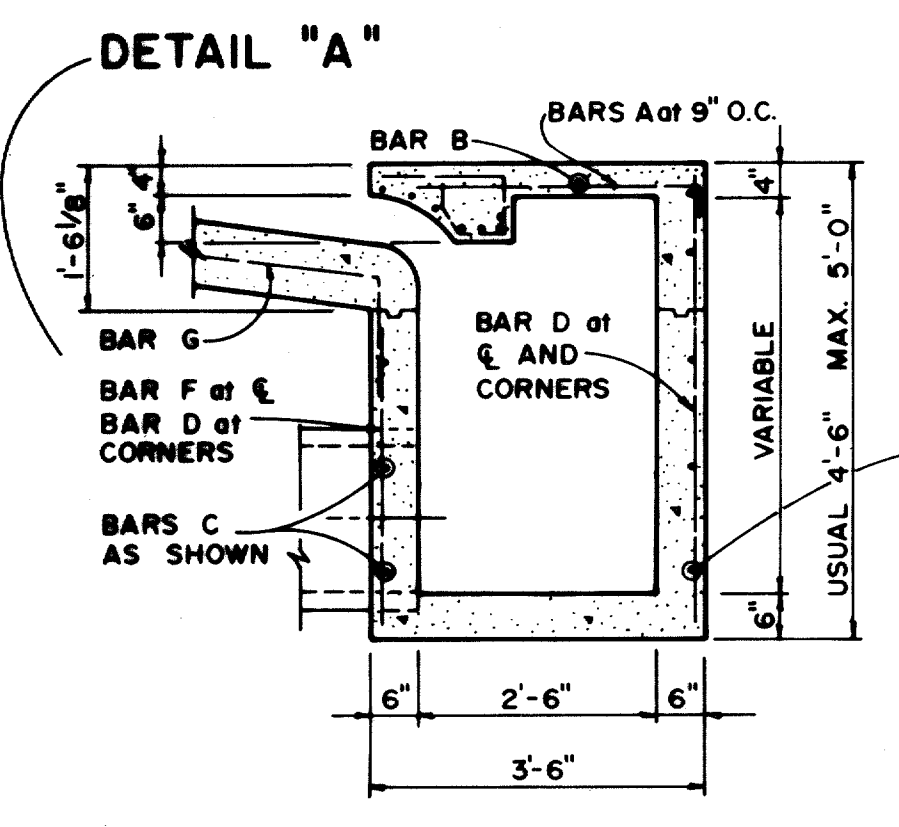


REINFORCING STEEL SCHEDULE

DIMENSIONS SHOWN ARE FOR MAXIMUM SIZE INLETS

INLET LENGTH	BAR TYPE	BAR DIA (1/8 IN.)	NO. REQ'D	BAR DIMENSIONS		
				A	B	C
5	A	3	9	3'-2"	0'-3"	-
	B	3	1	3'-10"	-	-
	C	4	15	5'-8"	0'-6"	-
	D	4	5	4'-8"	-	-
	F	4	1	3'-2"	-	-
	G	3	5	2'-0"	1'-3"	-
	H	3	3	*	*	*
10	A	3	10	3'-2"	-	-
	B	3	2	8'-10"	-	-
	C	4	16	10'-8"	0'-6"	-
	D	4	4	4'-8"	-	-
	E	5	6	10'-8"	-	-
	G	3	5	2'-0"	1'-3"	-
	H	3	15	*	*	*
	I	4	8	4'-8"	3'-2"	3'-2"
	J	5	9	3'-2"	1'-3"	-
	K	4	5	2'-3"	-	-
	L	4	5	4'-3"	-	-
	M	5	9	4'-3"	3'-2"	3'-9"
14	A	3	14	3'-2"	0'-3"	-
	B	3	2	10'-10"	-	-
	C	4	16	14'-8"	0'-6"	-
	D	4	4	4'-8"	-	-
	E	5	6	14'-8"	-	-
	G	3	5	2'-0"	1'-3"	-
	H	3	21	*	*	*
	I	4	12	4'-8"	3'-2"	3'-2"
	J	5	9	3'-2"	1'-3"	-
	K	4	5	2'-3"	-	-
	L	4	5	4'-3"	-	-
	M	5	9	4'-3"	3'-2"	3'-9"

* SEE DIAGRAM FOR DIMENSIONS



KH
3/6/80

QUORUM

STANDARD CONSTRUCTION DETAILS

STANDARD (TYPE I) AND RECESSED (TYPE II) INLETS

DEPARTMENT OF PUBLIC WORKS
CITY OF DALLAS, TEXAS

DESIGN	DRAWN	DATE	SCALE	NOTES	FILE	SHEET NO.
WEP				NONE	424 Q	22 of 22