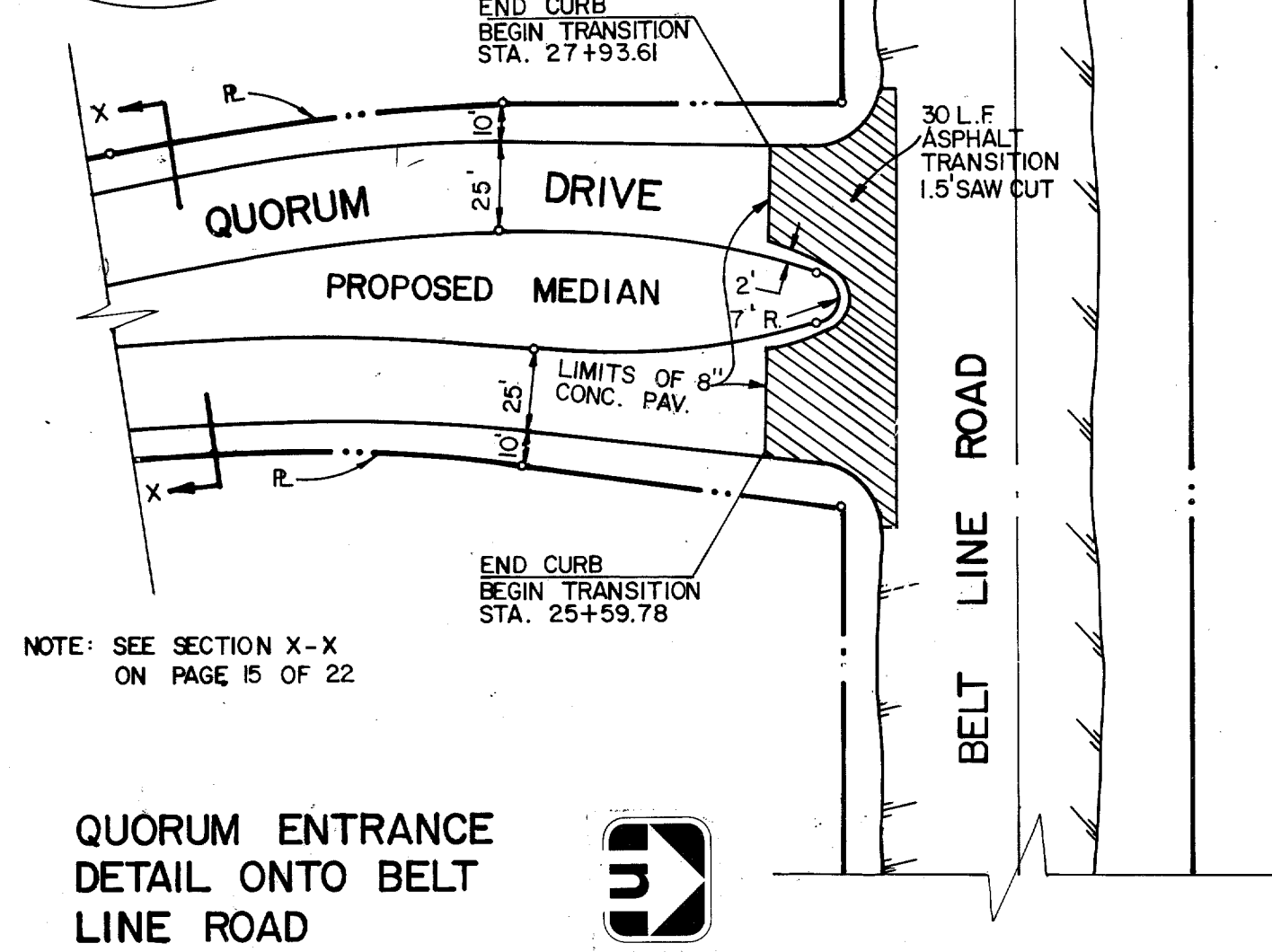
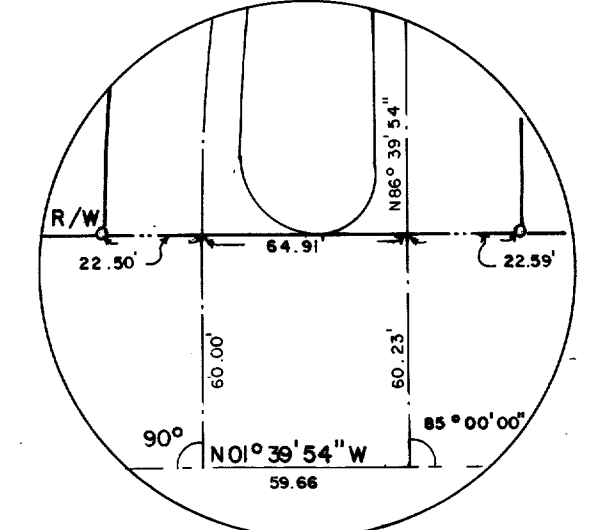
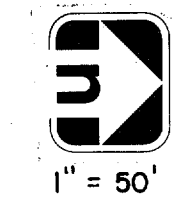


**☐ CURVE DATA**

C-1	Δ = 25°01'48"	R = 448.40'	T = 99.53'	L = 195.88'
C-2	Δ = 42°00'00"	R = 260.51'	T = 100.00'	L = 190.56'
C-3	Δ = 84°00'00"	R = 257.51'	T = 231.86'	L = 377.52'
C-4	Δ = 46°00'00"	R = 639.61'	T = 271.50'	L = 513.51'
C-5	Δ = 37°23'58"	R = 613.38'	T = 207.61'	L = 400.37'
C-6	Δ = 15°58'29"	R = 385.50'	T = 54.10'	L = 107.49'
C-7	Δ = 15°30'00"	R = 1704.25'	T = 231.94'	L = 461.04'
C-8	Δ = 46°00'00"	R = 799.93'	T = 339.55'	L = 642.22'
C-9	Δ = 21°26'45"	R = 927.41'	T = 175.62'	L = 347.13'
C-10	Δ = 98°31'27"	R = 165.00'	T = 191.58'	L = 283.74'
C-11	Δ = 23°30'00"	R = 311.78'	T = 64.85'	L = 127.88'
C-12	Δ = 50°30'00"	R = 279.88'	T = 132.00'	L = 246.69'
C-13	Δ = 13°00'00"	R = 439.99'	T = 50.13'	L = 99.82'
C-14	Δ = 68°49'15"	R = 323.73'	T = 221.75'	L = 388.85'
C-15	Δ = 47°00'00"	R = 333.48'	T = 145.00'	L = 273.55'
C-16	Δ = 40°47'17"	R = 380.97'	T = 141.64'	L = 271.21'
C-17	Δ = 60°29'07"	R = 279.78'	T = 163.12'	L = 295.36'
C-18	Δ = 33°50'47"	R = 217.42'	T = 66.15'	L = 128.44'



**QUORUM ENTRANCE  
DETAIL ONTO BELT  
LINE ROAD**



**PAVING PLAN**

**QUORUM  
ADDISON, TEXAS**

**Graham Associates, Inc.**  
CONSULTING ENGINEERS & PLANNERS

Date: 3.1.79  
File: 314-1437  
Drawn By: GA1  
Sheet 3 of 22



SCALE: 1" = 100'