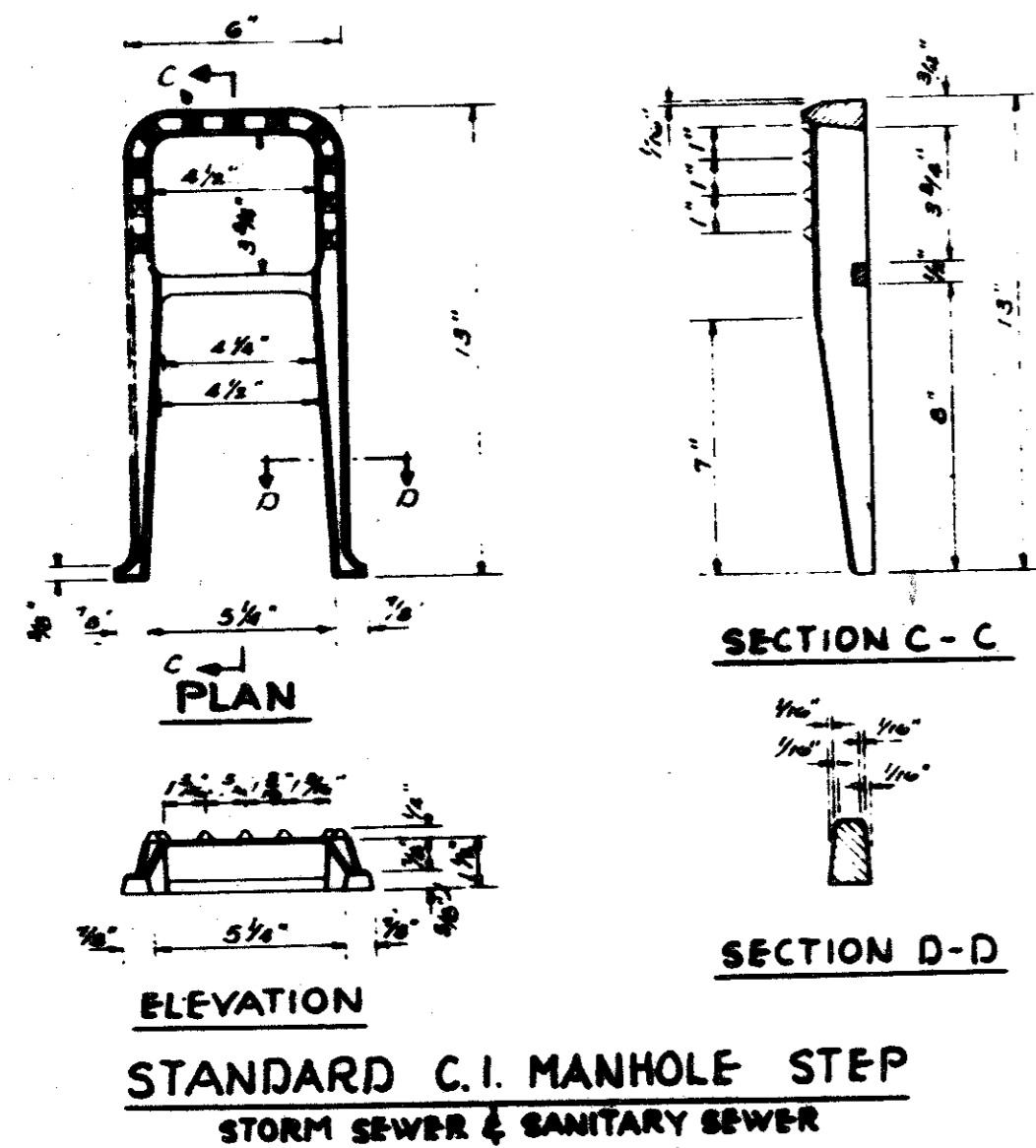
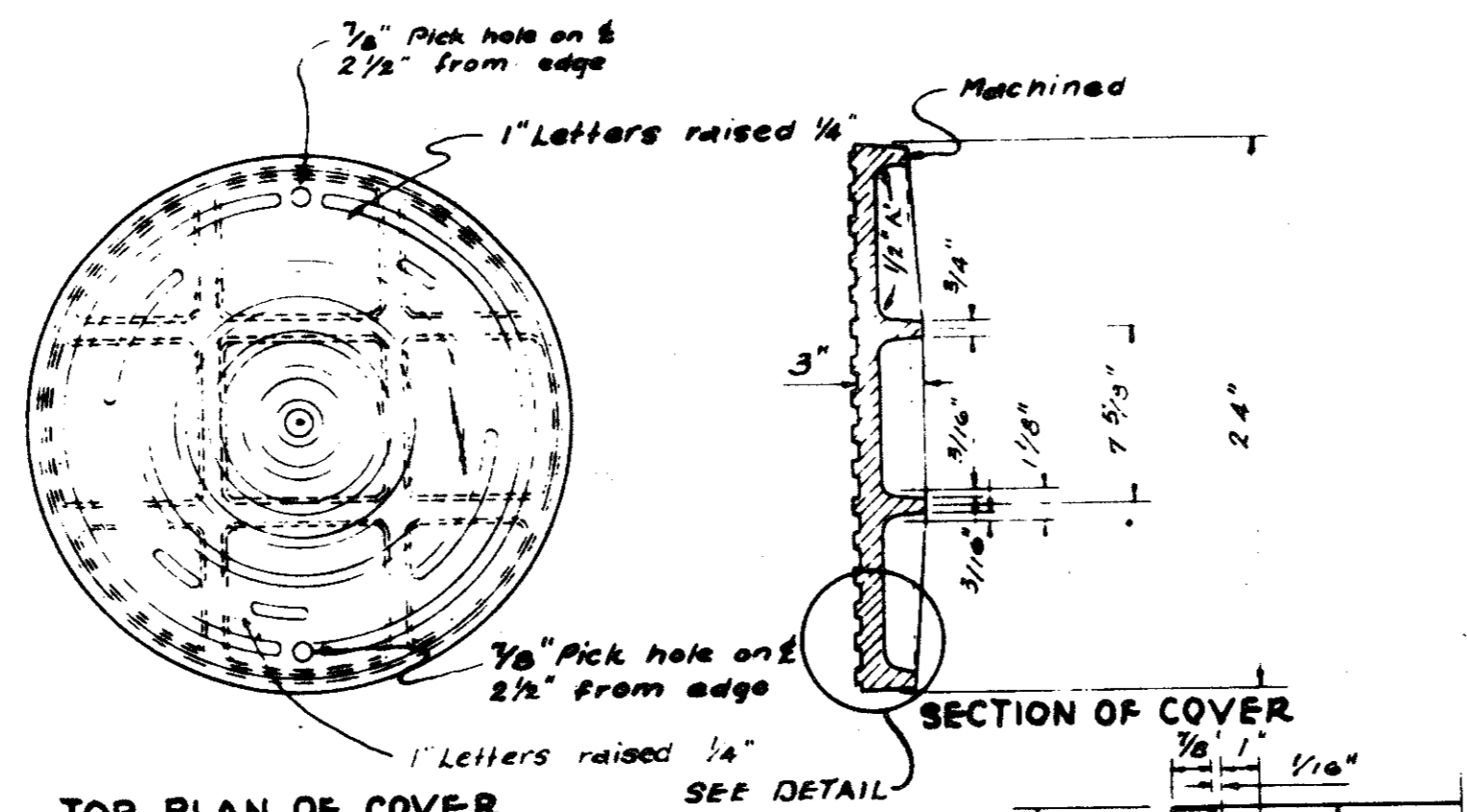


**STANDARD WATER TIGHT - SOLID SEAL MANHOLE FRAME AND COVER
TO BE USED ON STANDARD MANHOLE**

As Manufactured by DALLAS FOUNDRY
NO 975-2 or approved equal.
Wgt 410 pounds.

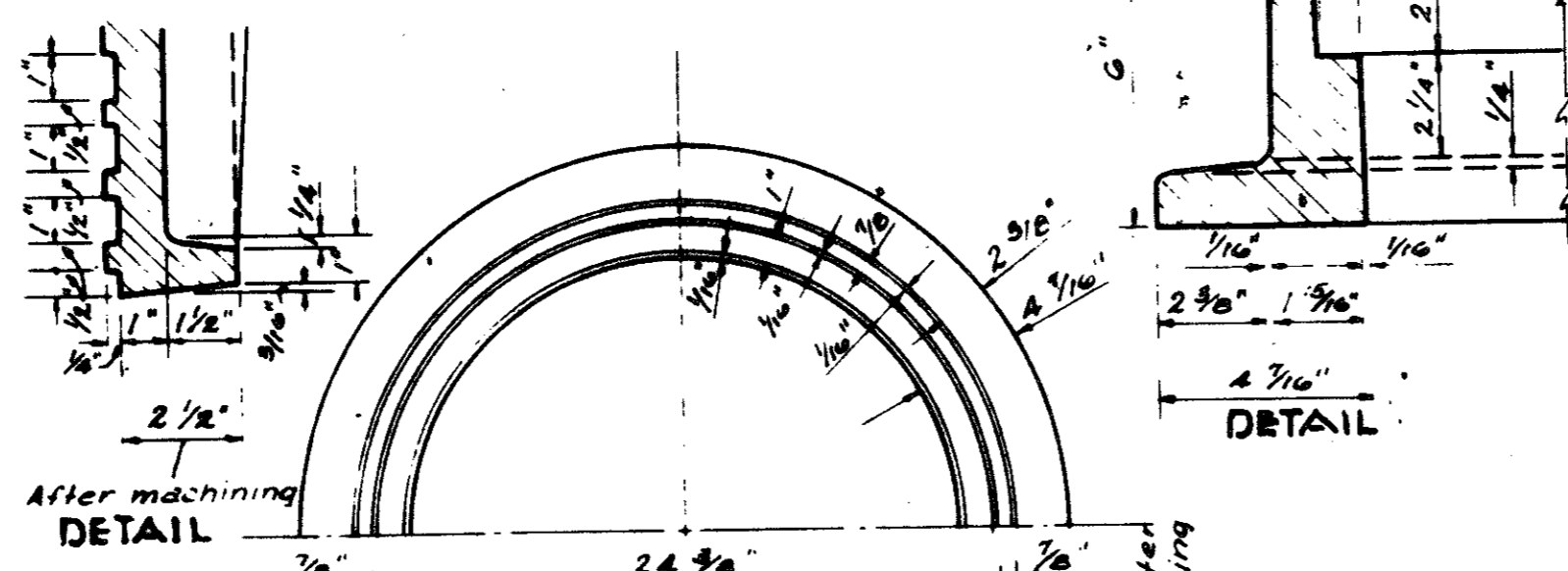


**STANDARD C.I. MANHOLE STEP
STORM SEWER & SANITARY SEWER**



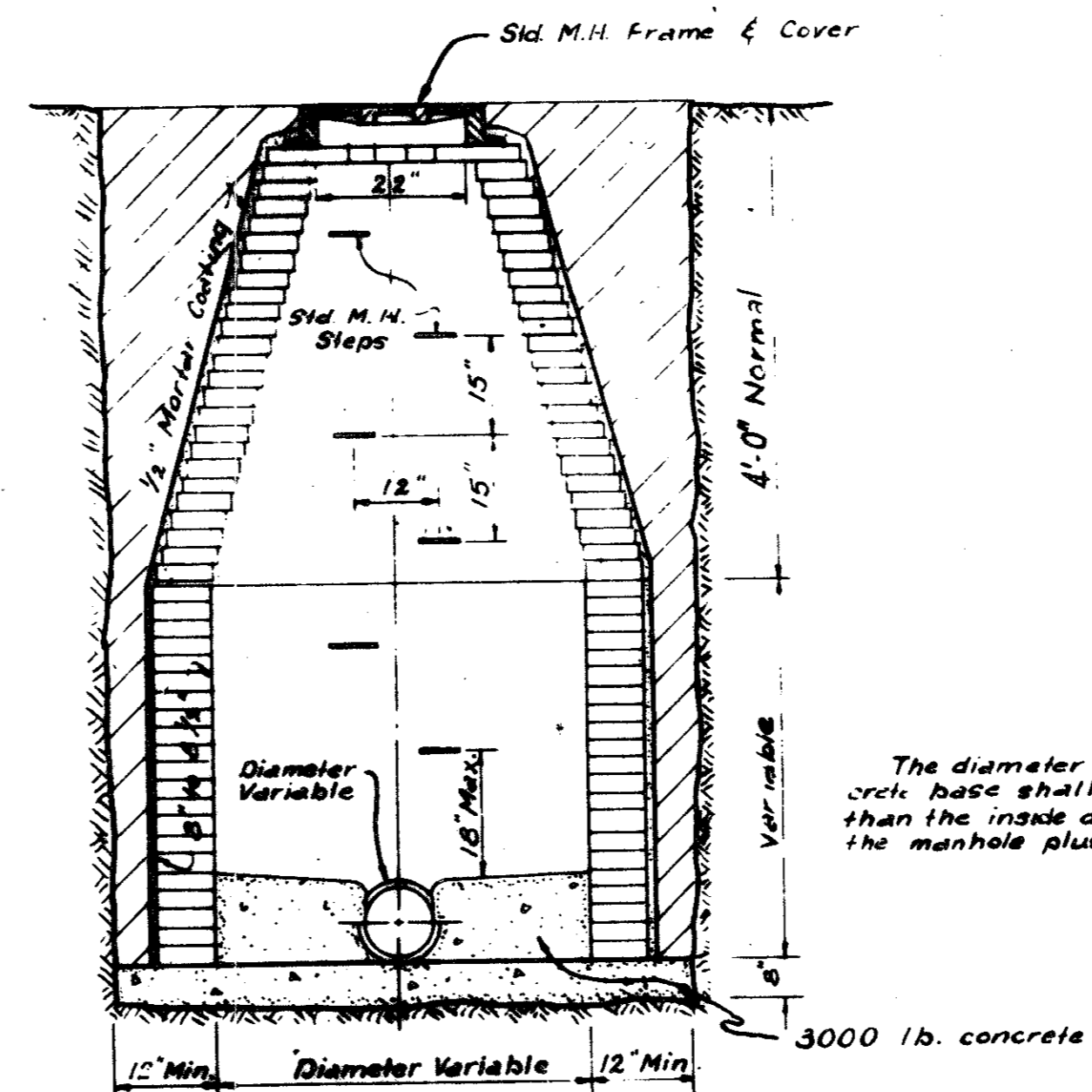
TOP PLAN OF COVER

SECTION OF COVER

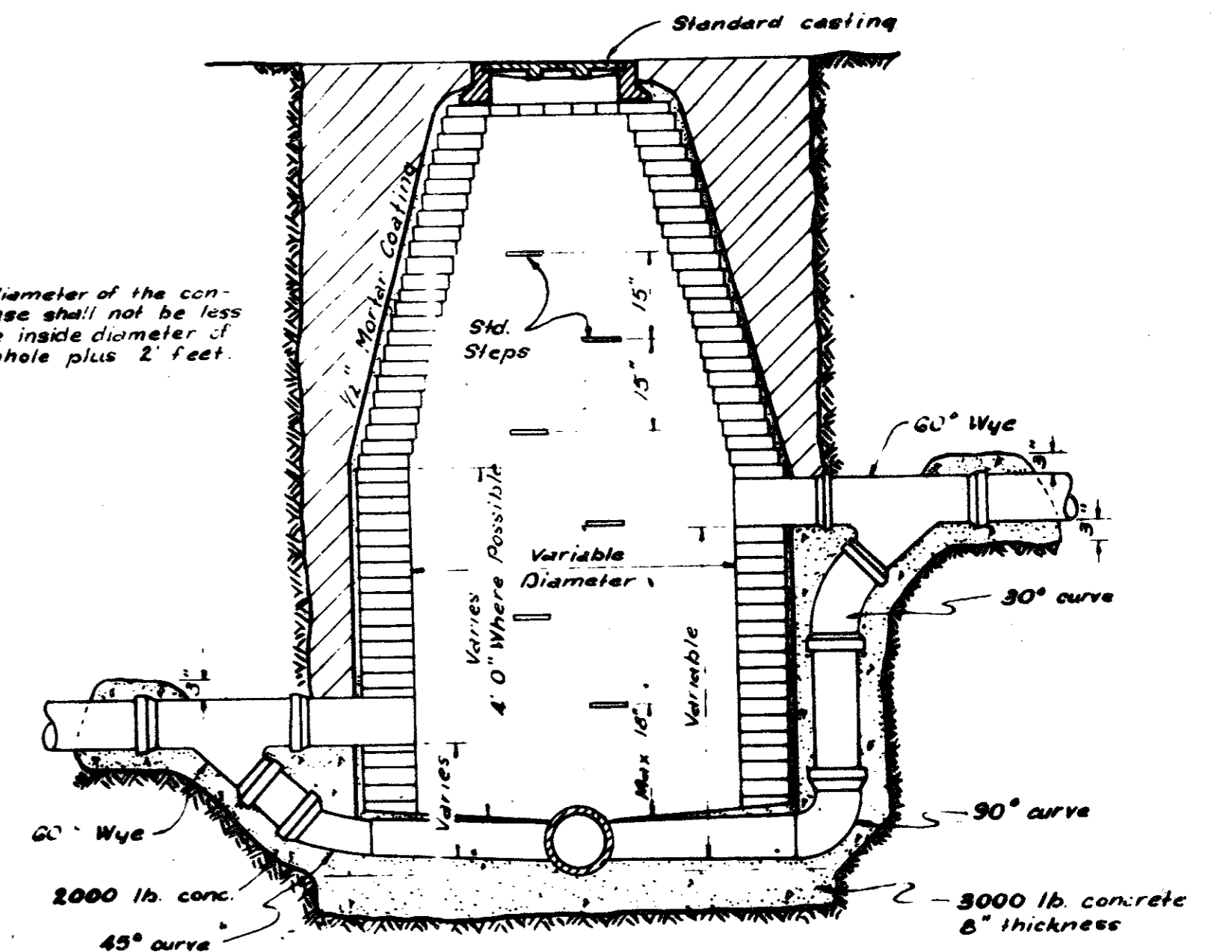


STANDARD C.I. MANHOLE FRAME & COVER

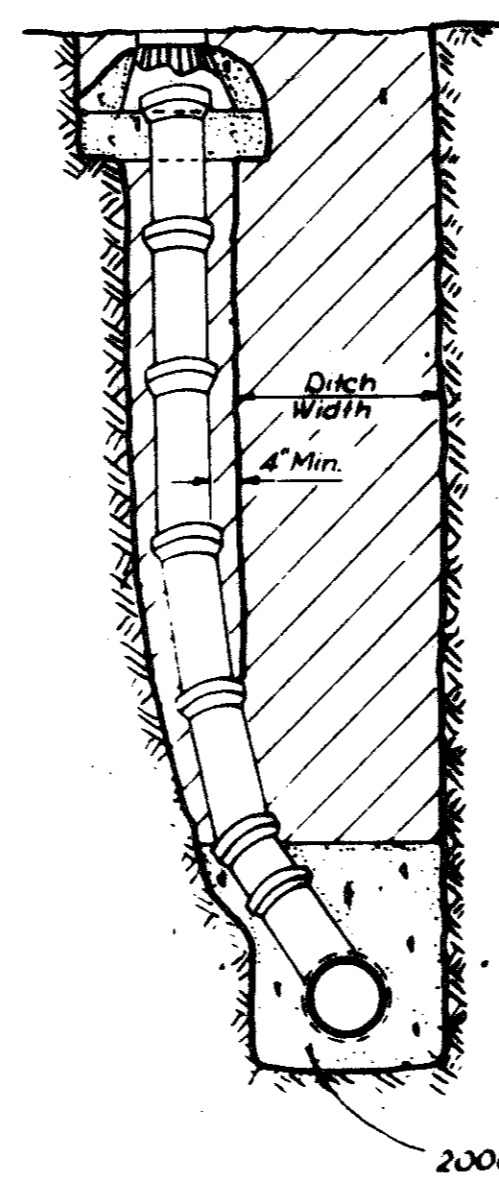
As Manufactured by DALLAS FOUNDRY NO 100-8 or
approved equal. Wgt 400 pounds.



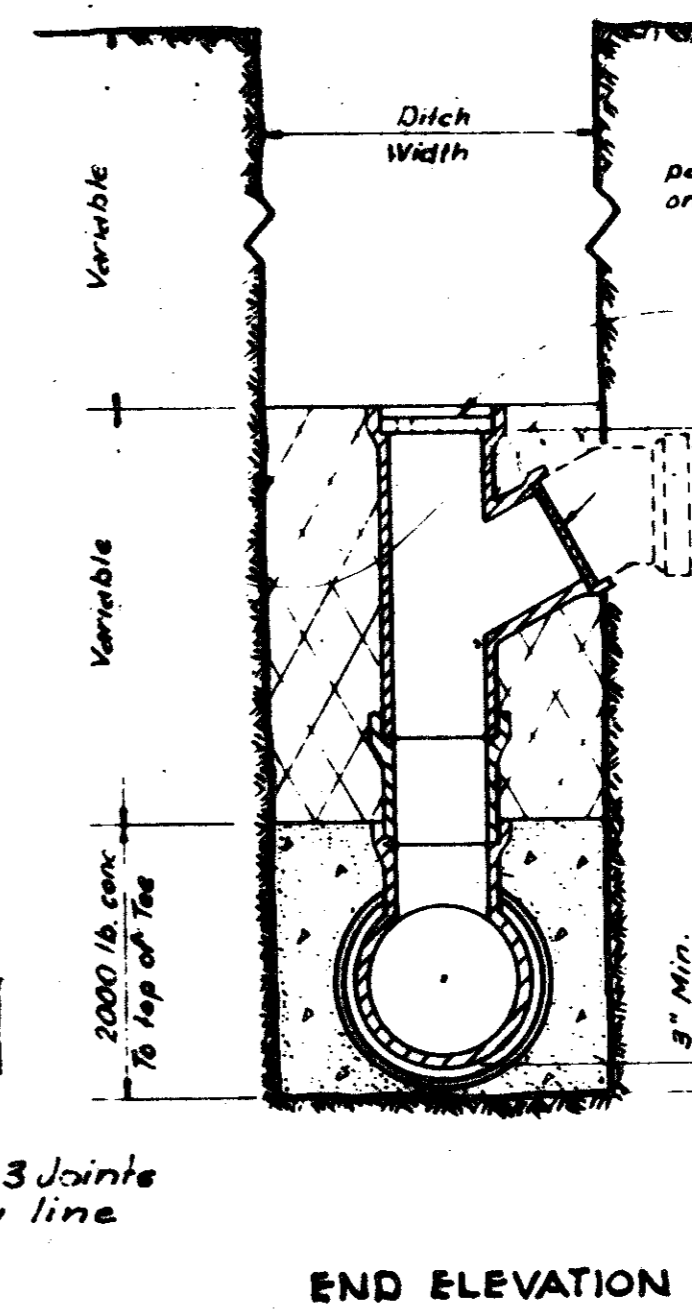
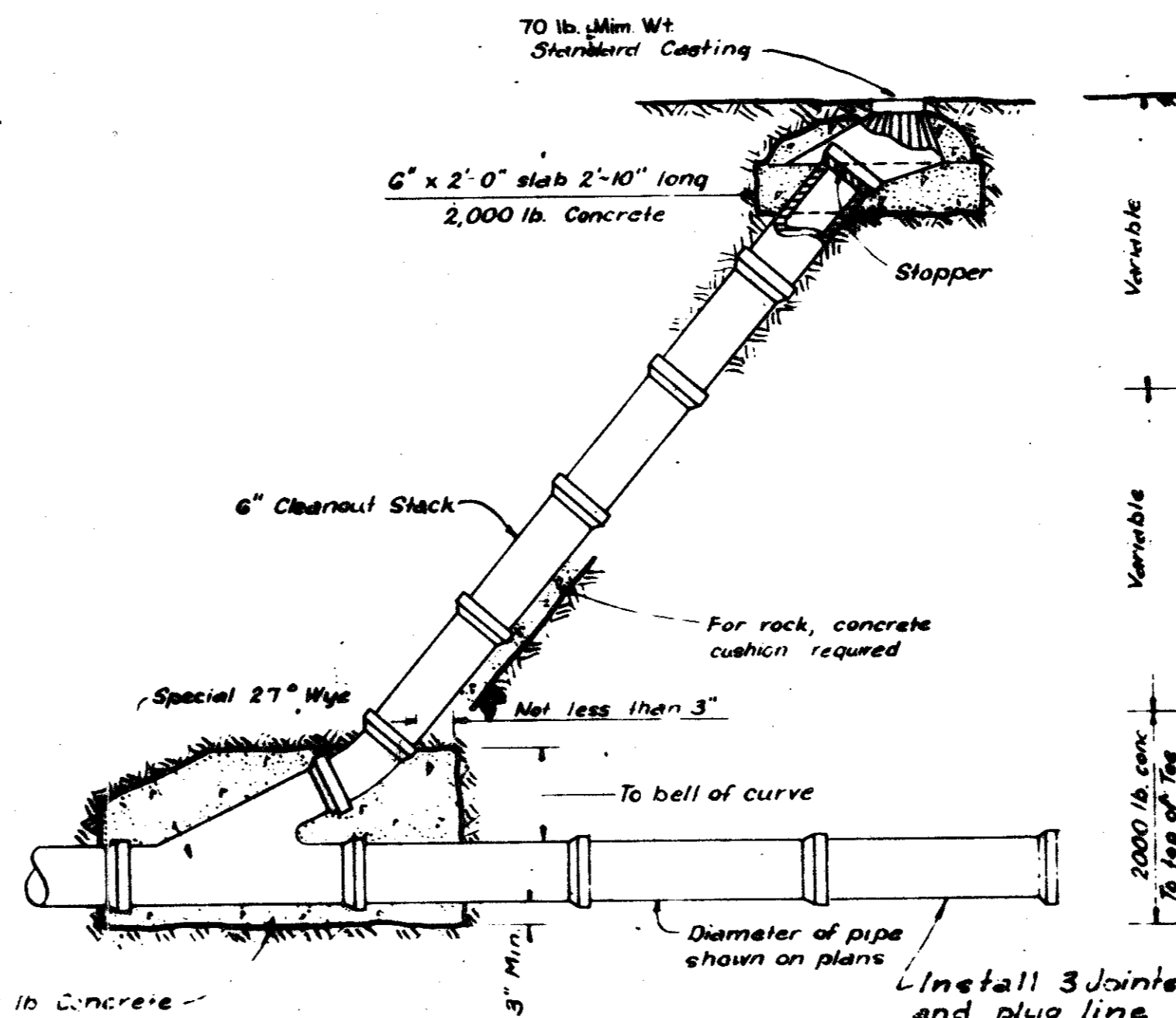
STANDARD MANHOLE



STANDARD DROP CONNECTION MANHOLE



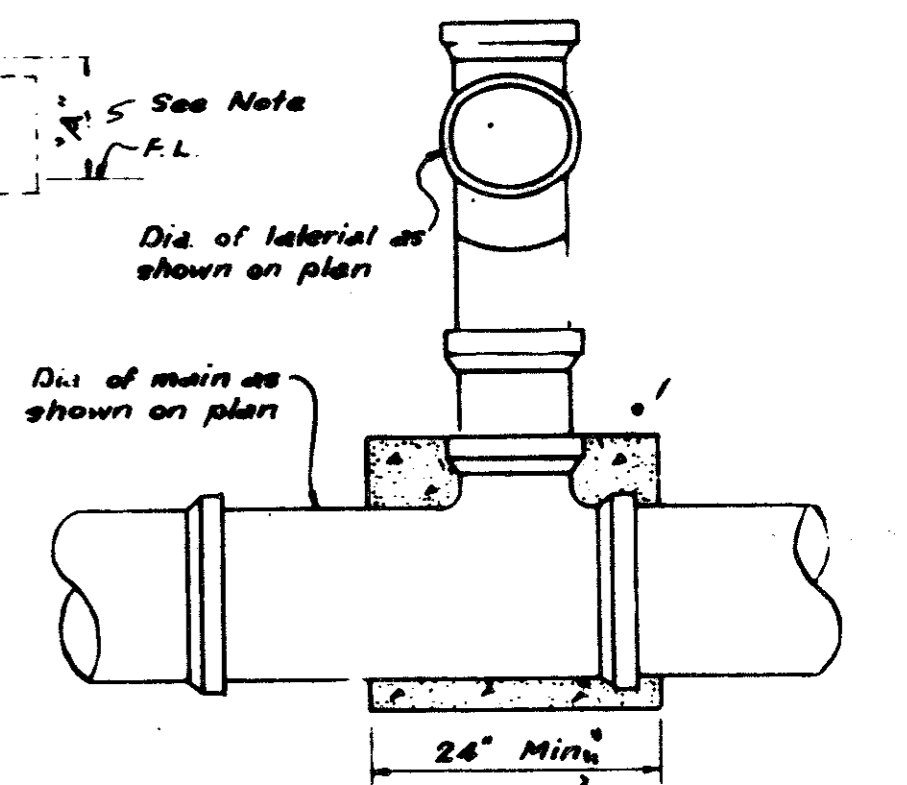
STANDARD CLEANOUT



END ELEVATION

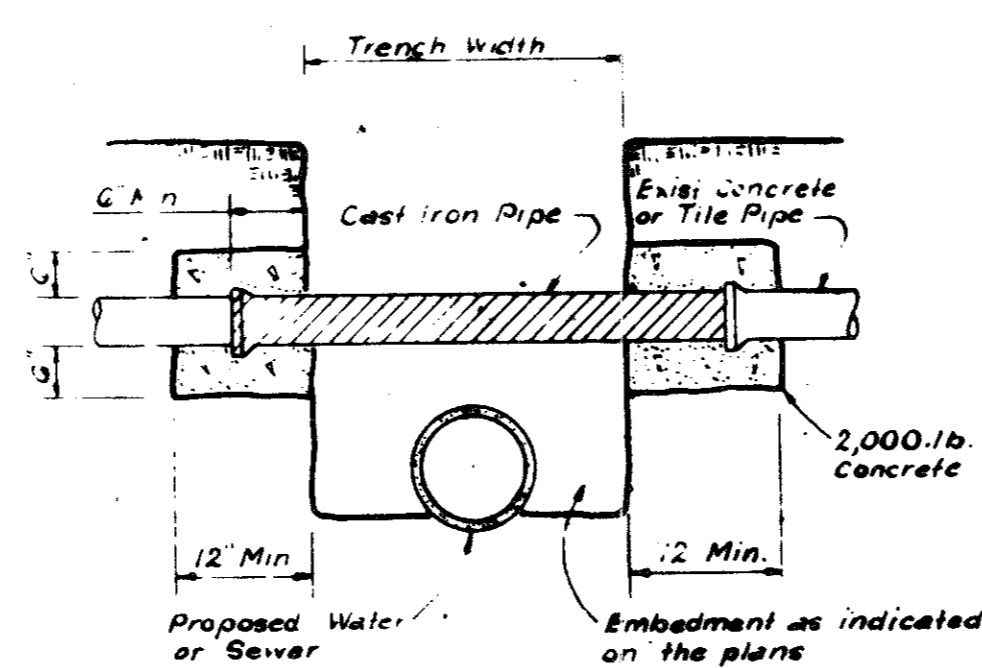
NOTE

Pipe Size	"A"
6"	5 1/2"
8"	8 1/2"
10"	10 3/4"
12"	12 3/8"

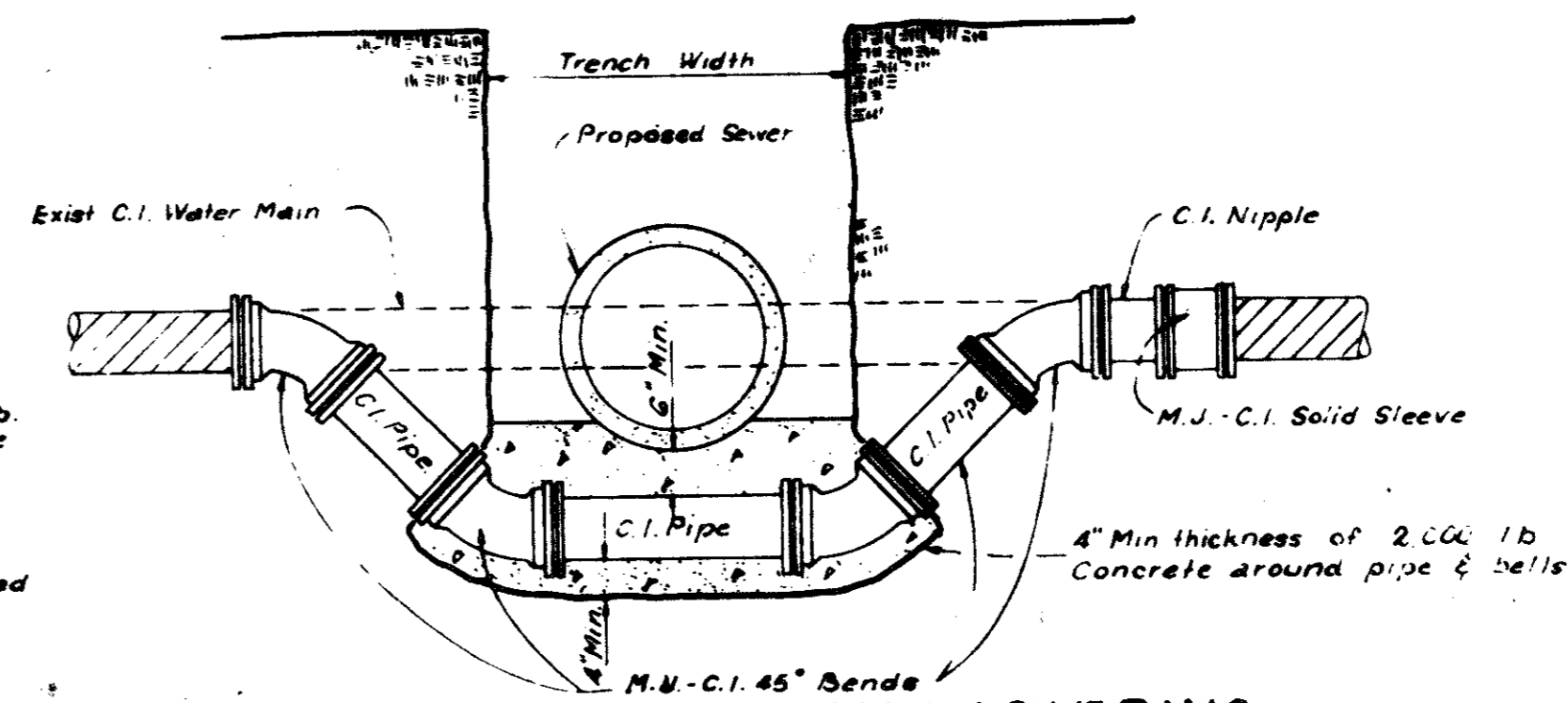


SIDE ELEVATION

DROP CONNECTION



**DETAIL OF
UTILITY SUPPORT**



DETAIL FOR WATER MAIN LOWERING

REVISED MARCH, 1978 L.E.B.
REVISED MARCH, 1975 J.H.D.

QUORUM WEST

SANITARY SEWER DETAILS

Graham Associates, Inc.
CONSULTING ENGINEERS & PLANNERS

DESIGN	DRAWN	CHECKED	DATE	SCALE	SHEET NO.
R.E.V.	R.L.D.	D.P.	3-80	NONE	11 OF 15