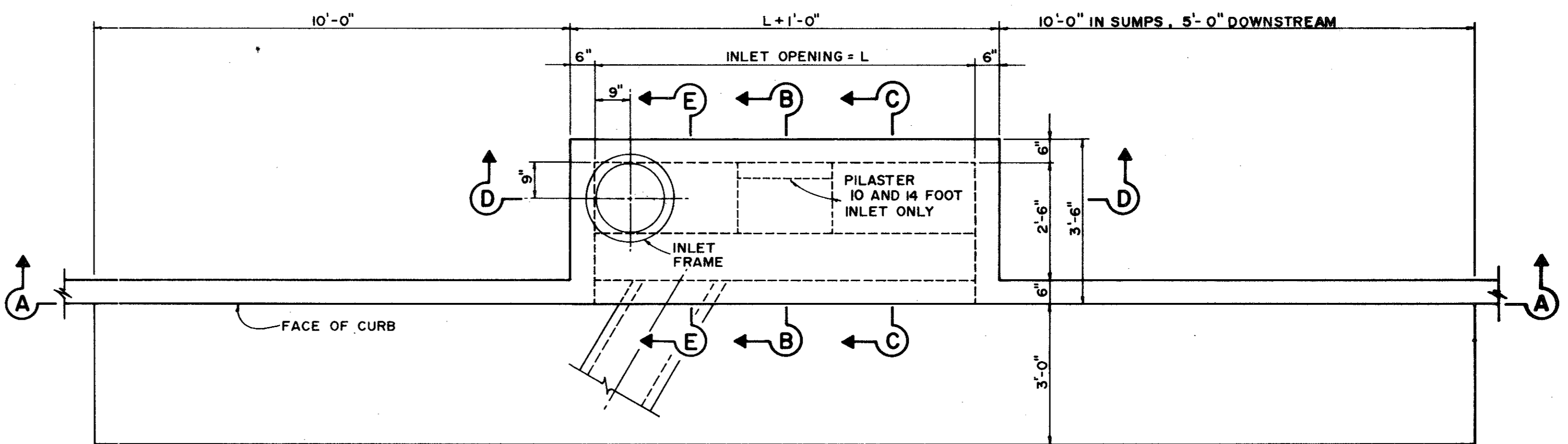
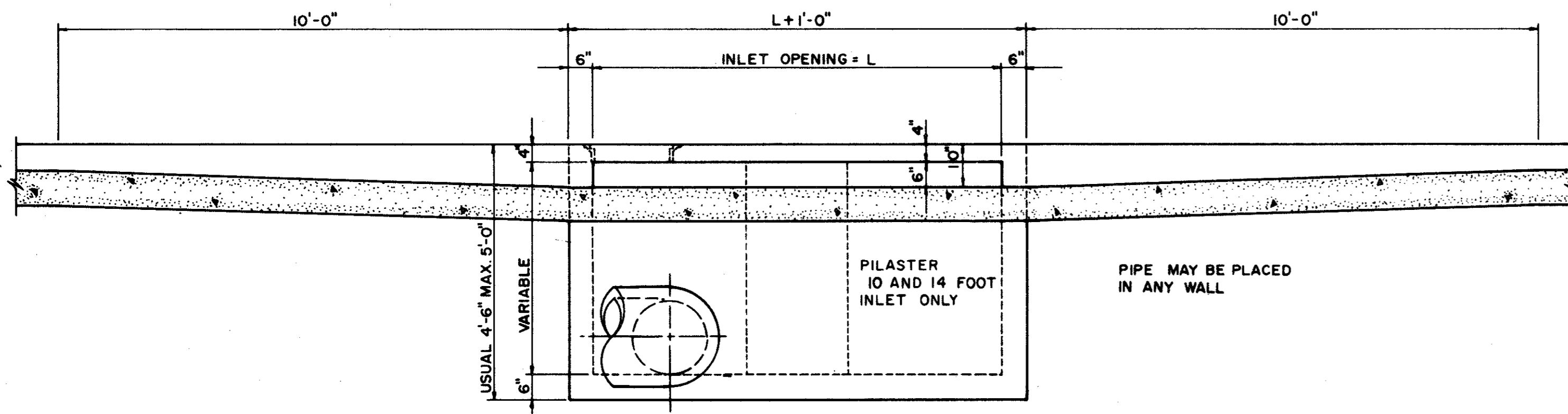


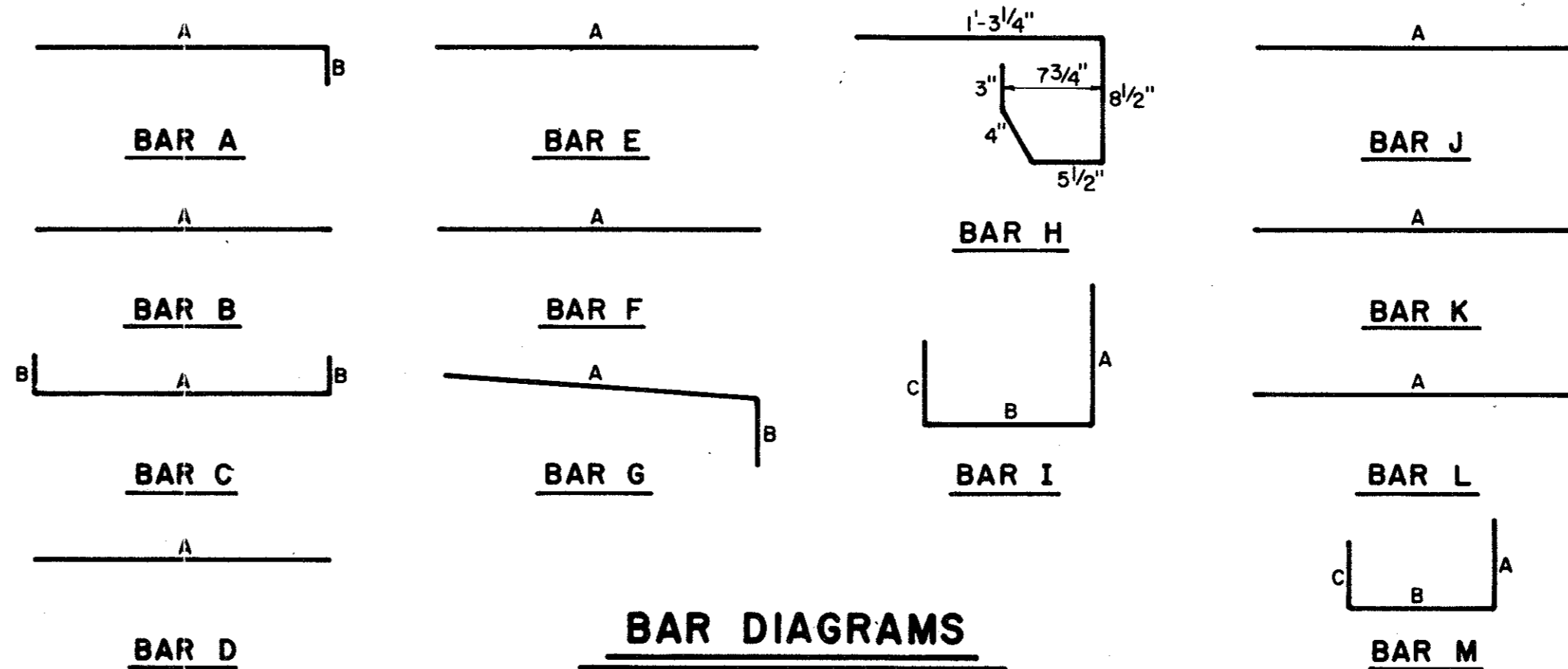
PLAN - RECESSED INLET



PLAN - STANDARD INLET



SECTION A-A-RECESSED AND STANDARD INLETS
5, 10, AND 14 FOOT INLETS



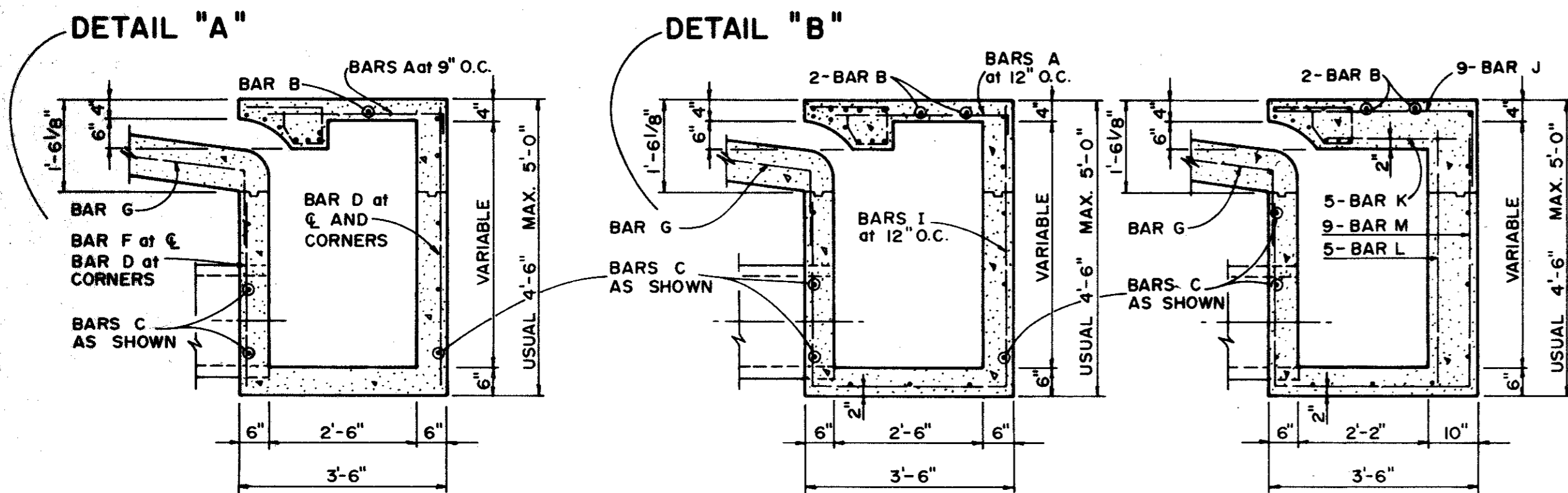
BAR DIAGRAMS

REINFORCING STEEL SCHEDULE

DIMENSIONS SHOWN ARE FOR MAXIMUM SIZE INLETS

INLET LENGTH	BAR TYPE	BAR DIA. (1/8 IN.)	NO. REQ'D	BAR DIMENSIONS		
				A	B	C
5	A	3	9	3'-2"	0'-3"	-
	B	3	1	3'-10"	-	-
	C	4	15	5'-8"	0'-6"	-
	D	4	5	4'-8"	-	-
	F	4	1	3'-2"	-	-
	G	3	5	2'-0"	1'-3"	-
	H	3	3	*	*	*
10	A	3	10	3'-2"	-	-
	B	3	2	8'-10"	-	-
	C	4	16	10'-8"	0'-6"	-
	D	4	4	4'-8"	-	-
	E	5	6	10'-8"	-	-
	G	3	5	2'-0"	1'-3"	-
	H	3	15	*	*	*
	I	4	8	4'-8"	3'-2"	3'-2"
	J	5	9	3'-2"	1'-3"	-
	K	4	5	2'-3"	-	-
	L	4	5	4'-3"	-	-
	M	5	9	4'-3"	3'-2"	3'-9"
14	A	3	14	3'-2"	0'-3"	-
	B	3	2	10'-10"	-	-
	C	4	16	14'-8"	0'-6"	-
	D	4	4	4'-8"	-	-
	E	5	6	14'-8"	-	-
	G	3	5	2'-0"	1'-3"	-
	H	3	21	*	*	*
	I	4	12	4'-8"	3'-2"	3'-2"
	J	5	9	3'-2"	1'-3"	-
	K	4	5	2'-3"	-	-
	L	4	5	4'-3"	-	-
	M	5	9	4'-3"	3'-2"	3'-9"

* SEE DIAGRAM FOR DIMENSIONS



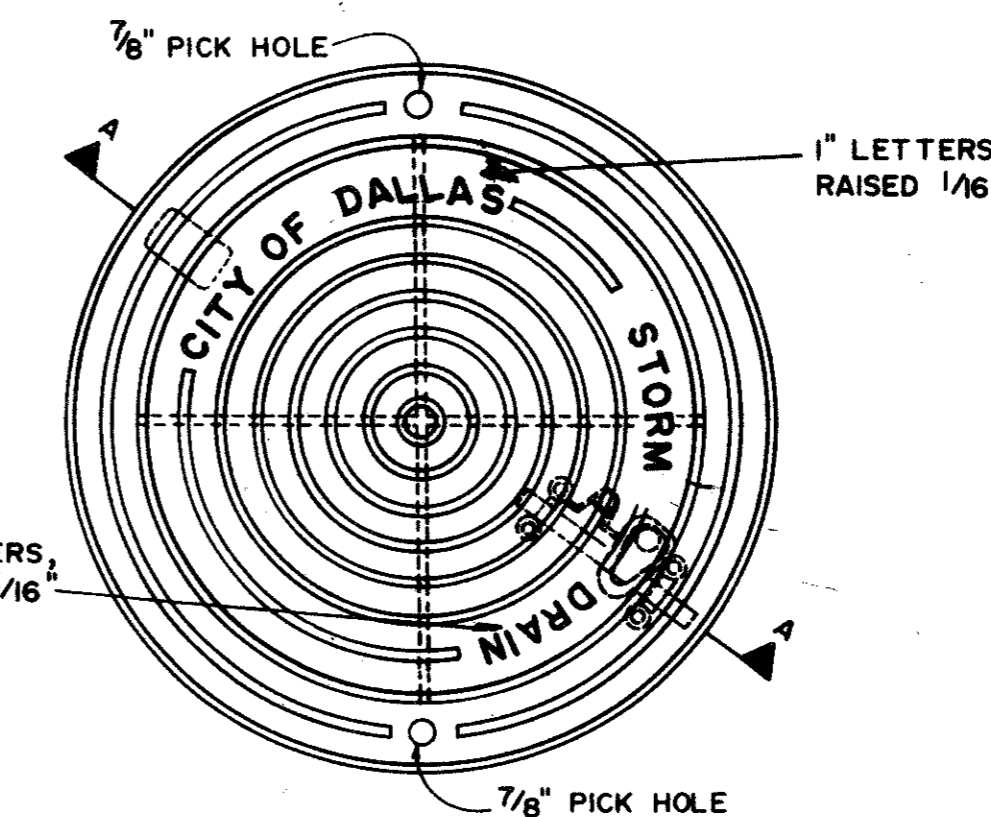
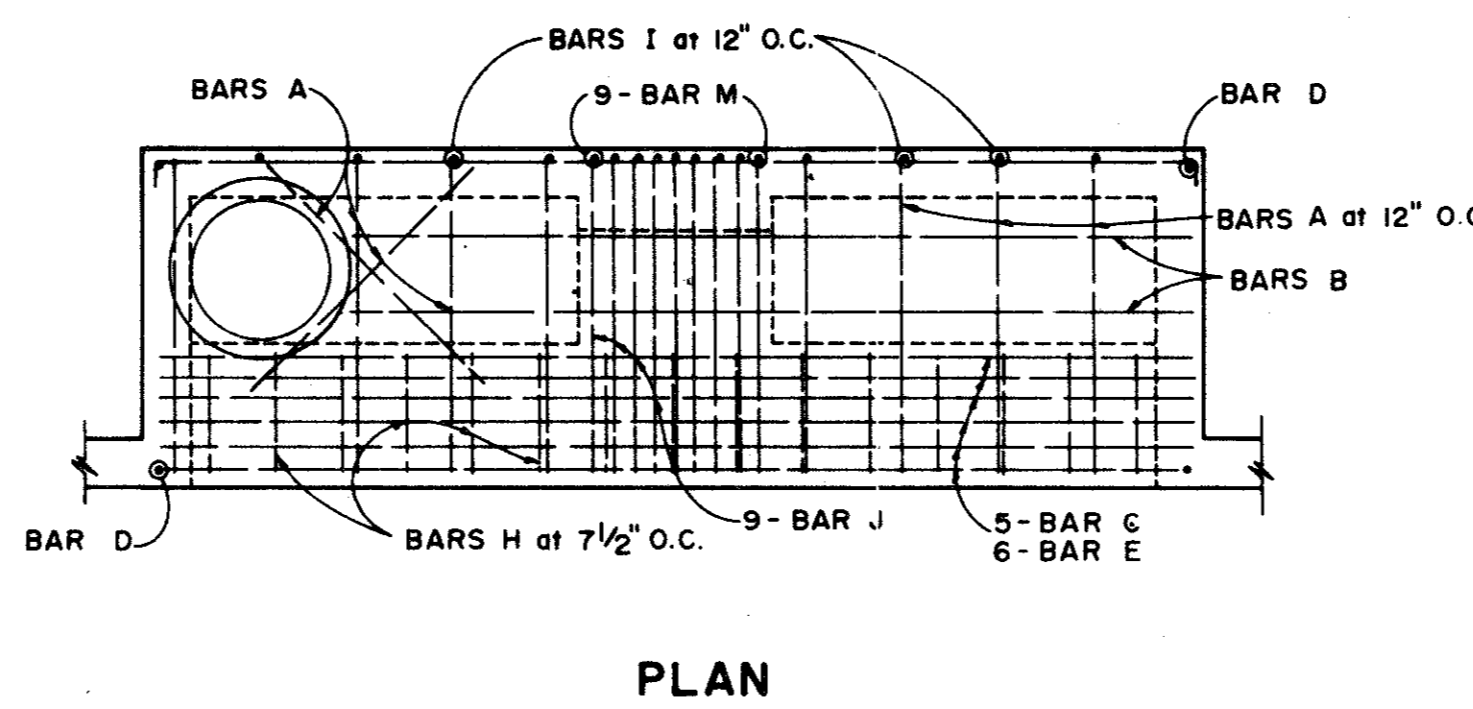
SECTION E-E

SECTION C-C

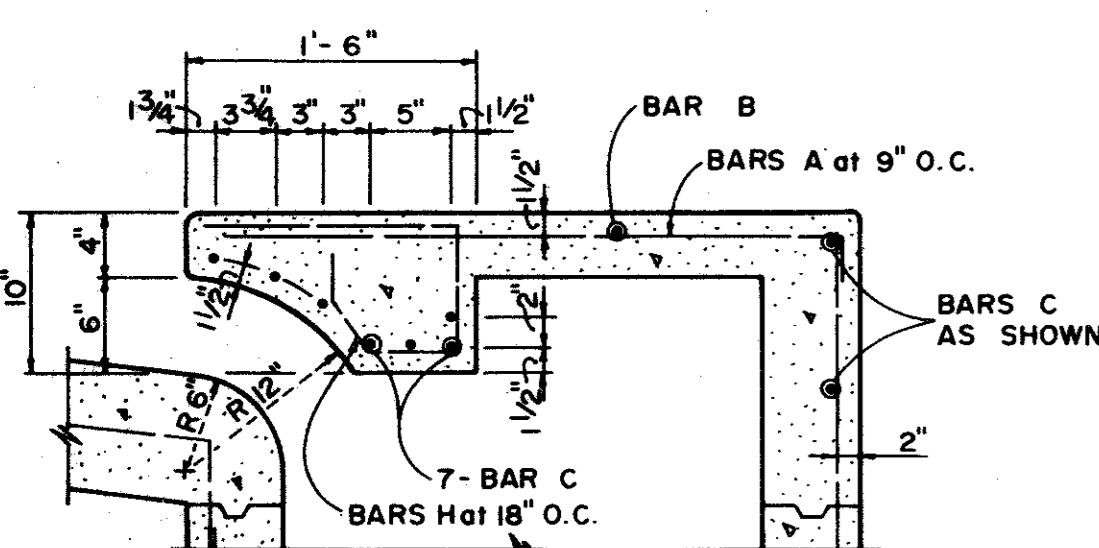
SECTION B-B

5 FOOT INLET

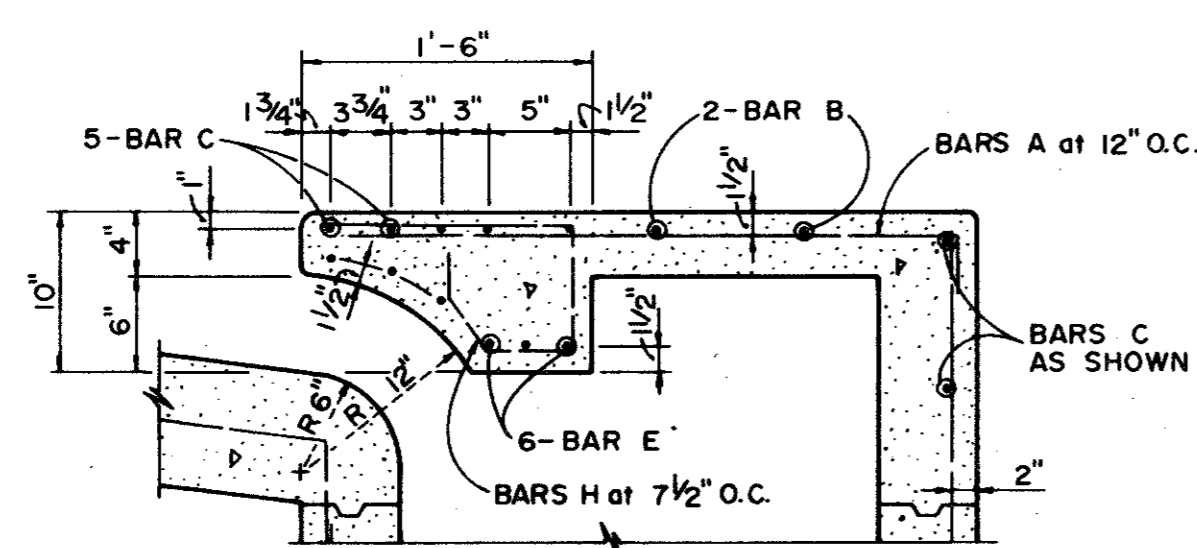
10 AND 14 FOOT INLETS



PLAN OF FRAME

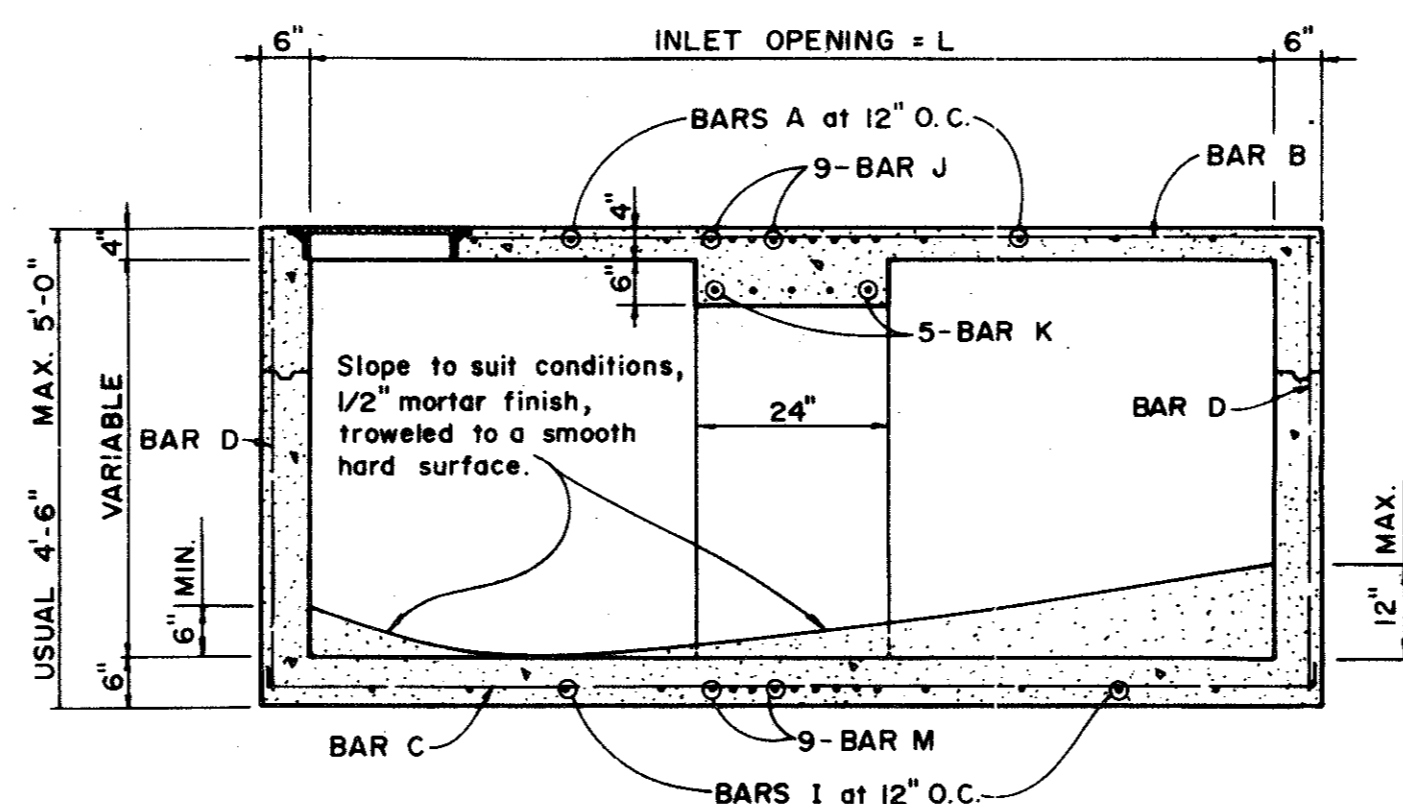


5 FOOT INLET

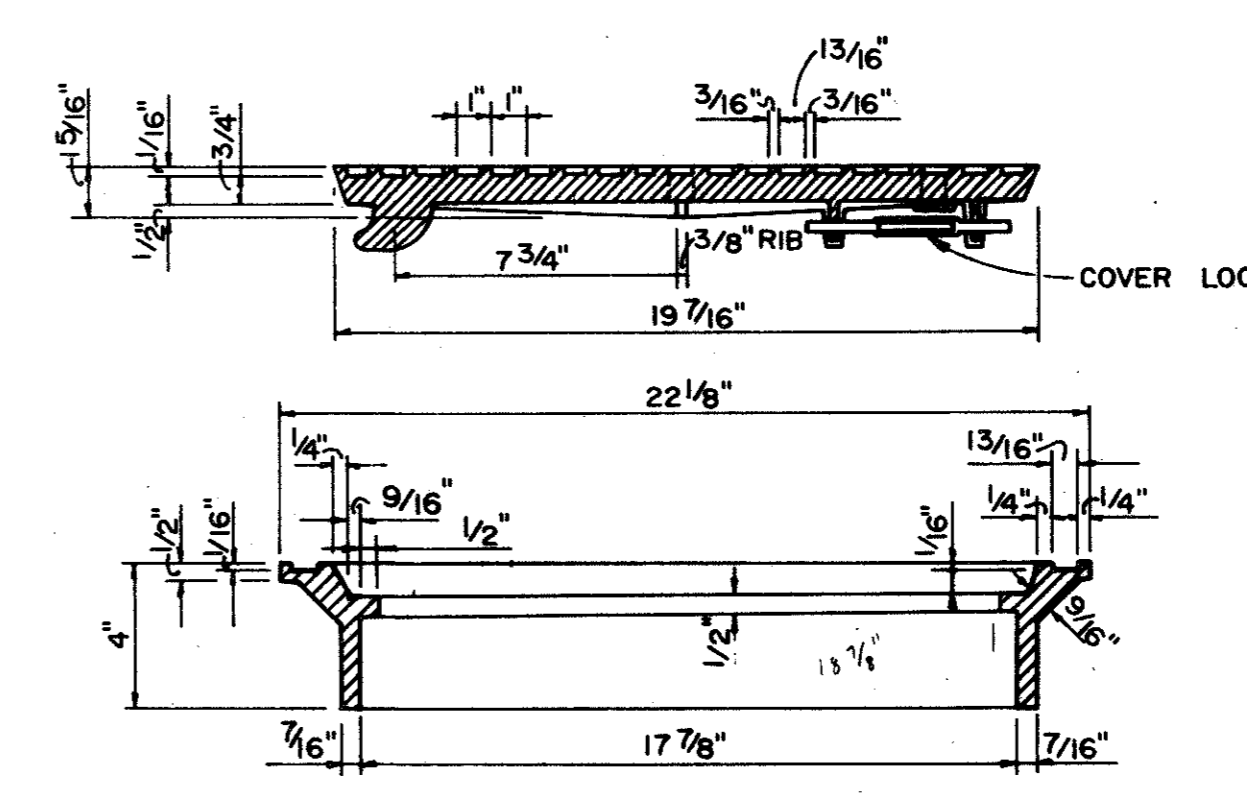


DETAIL "B"

10 AND 14 FOOT INLETS



SECTION D-D



SECTION OF FRAME AND COVER
INLET FRAME AND COVER

QUORUM WEST

STANDARD CONSTRUCTION DETAILS

STANDARD (TYPE I) AND RECESSED (TYPE II) INLETS

DEPARTMENT OF PUBLIC WORKS

CITY OF DALLAS, TEXAS

DESIGN	DRAWN	DATE	SCALE	NOTES	FILE	SHEET NO.
		3-80	NONE		425-2248	12 of 15