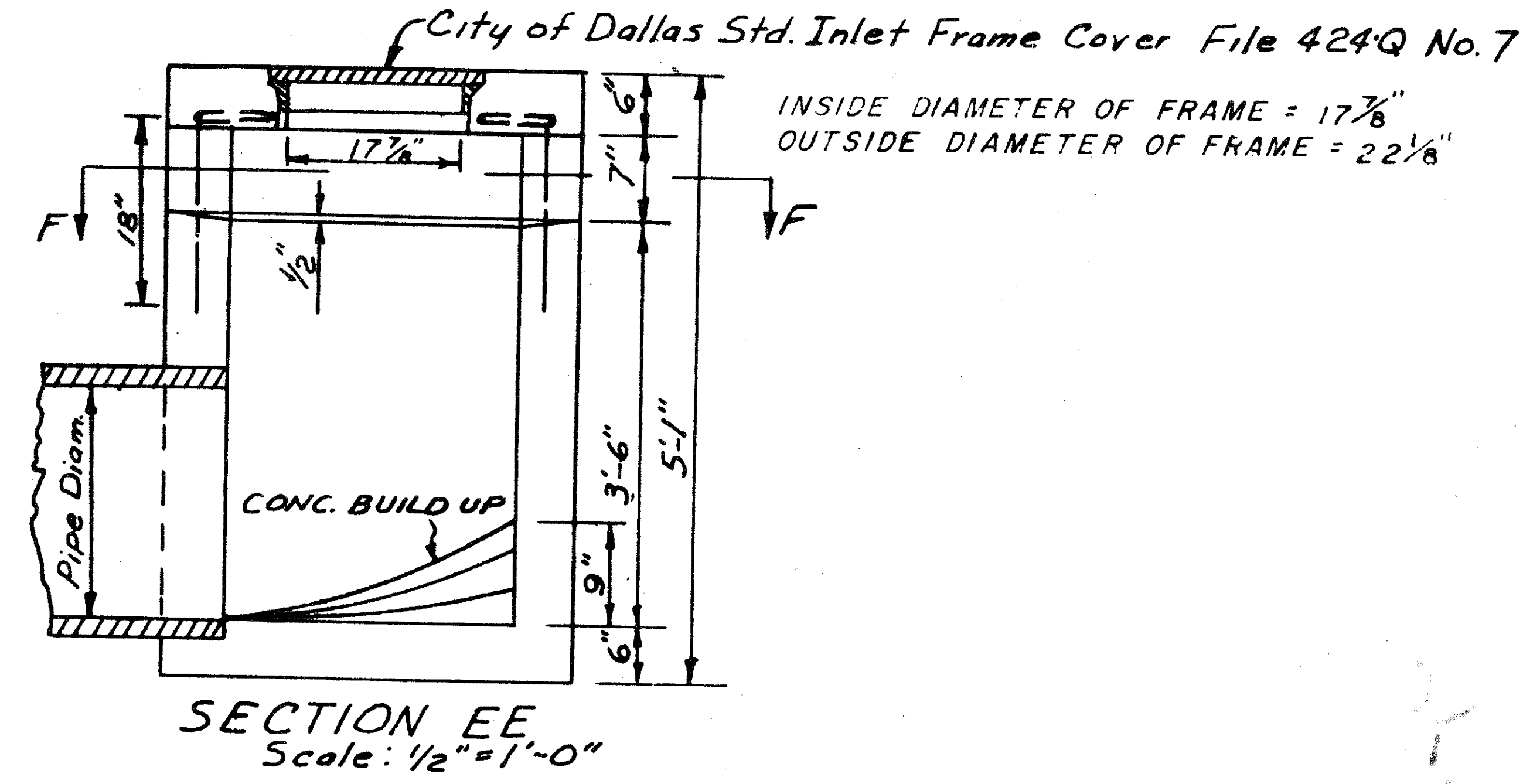
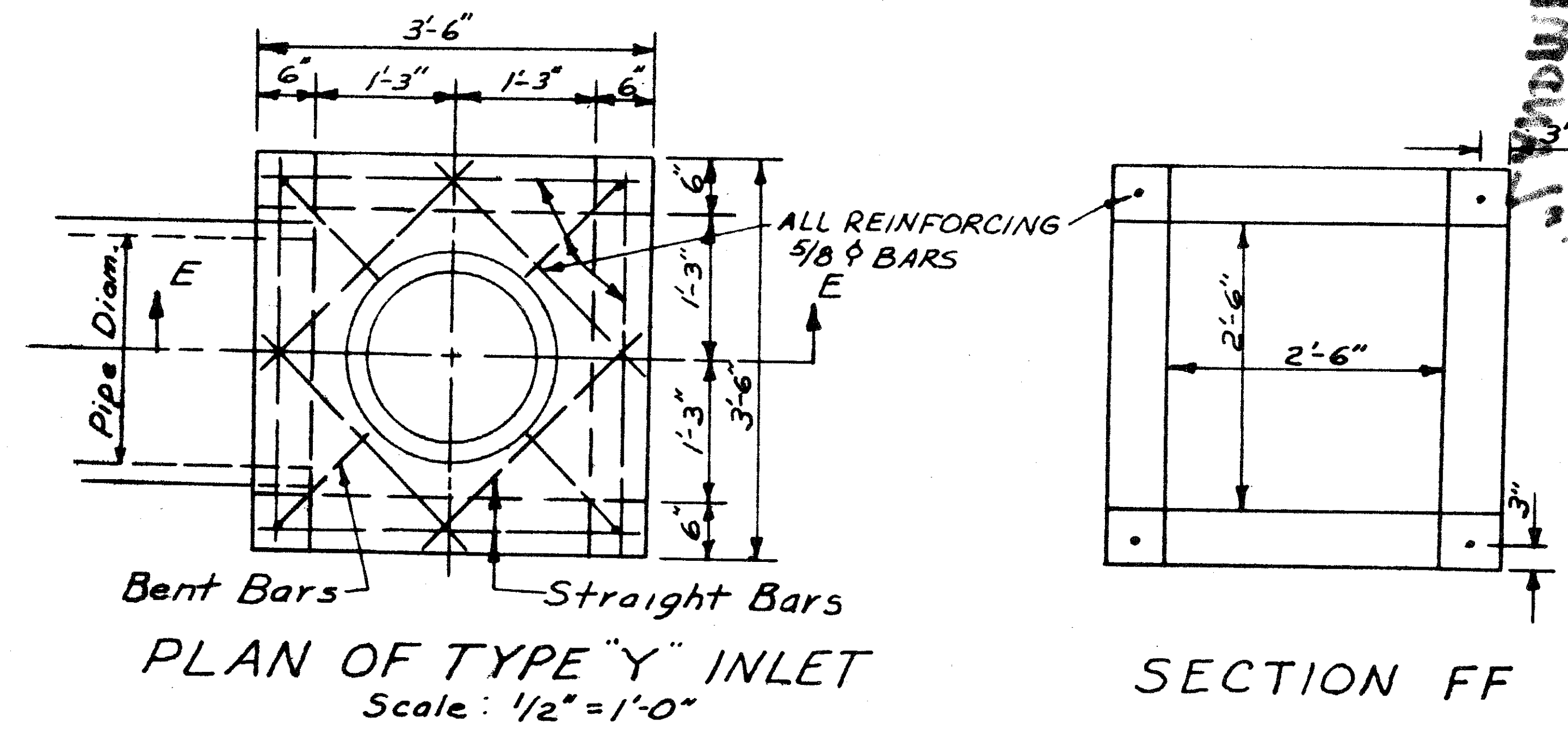
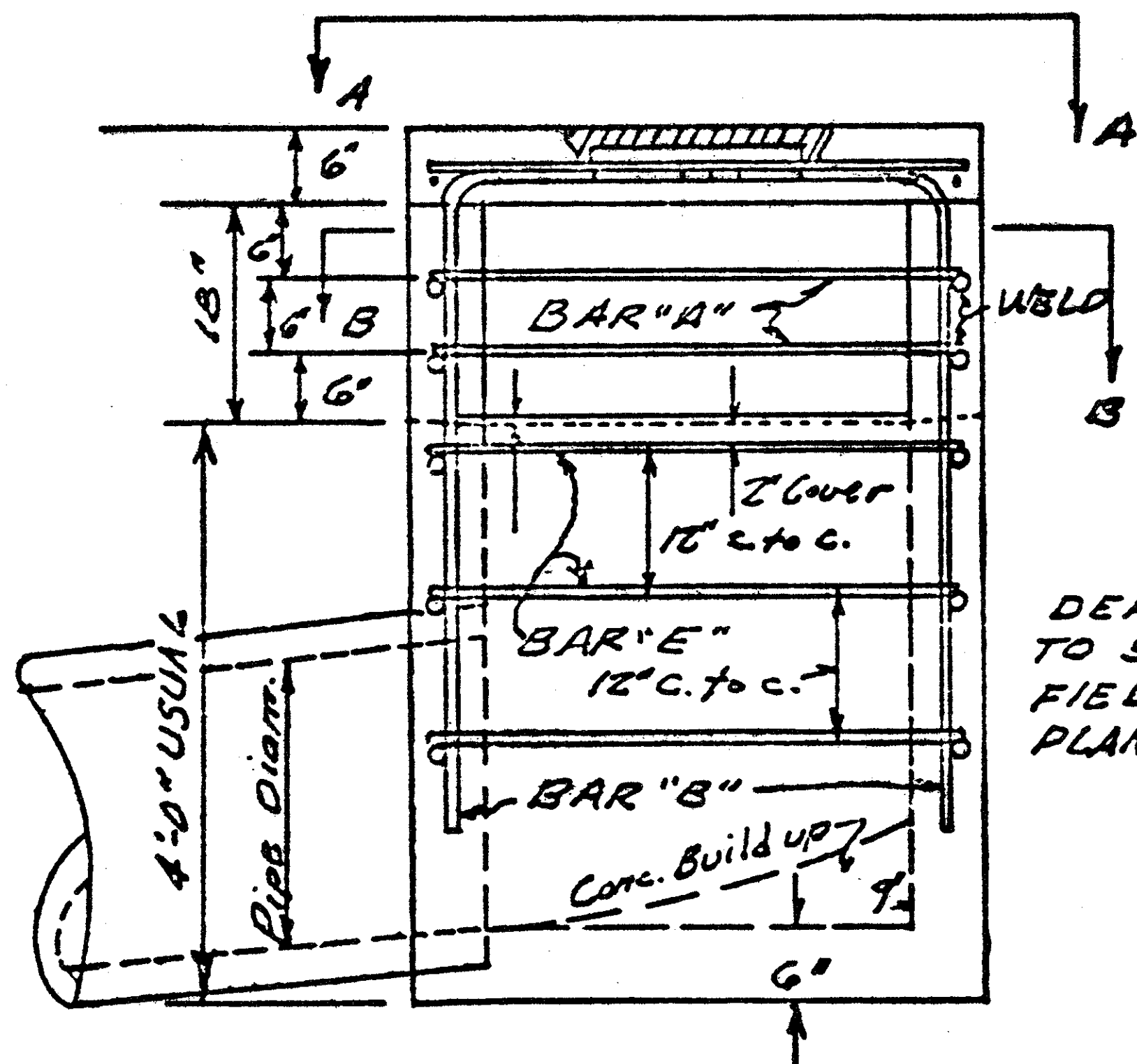
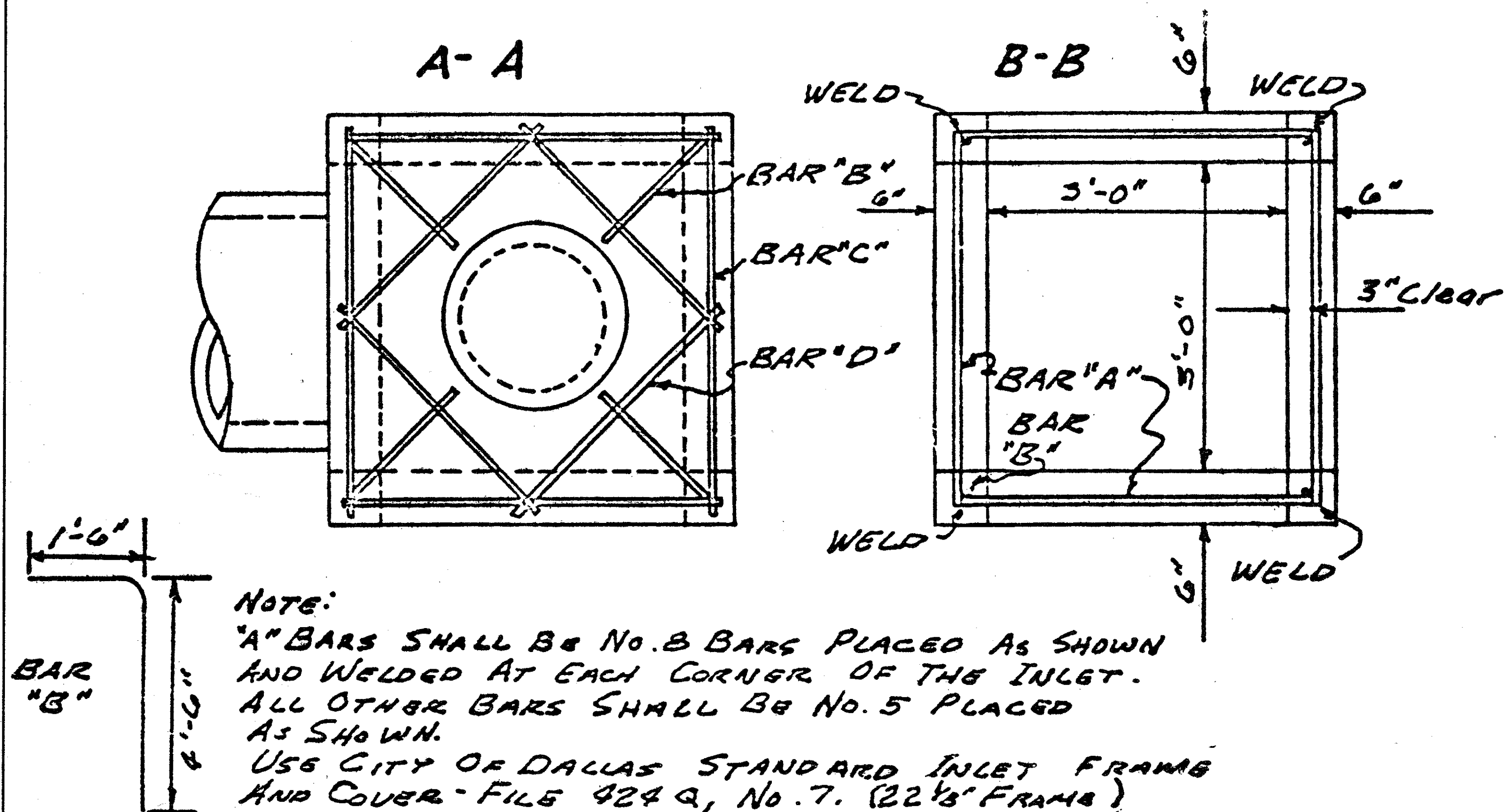


**SPECIAL "Y" INLET**  
Scale: 1/2" = 1'



QUORUM WEST  
All CONC. TO BE 3000 P.S.I.  
Rev: 5-6-52 Reduce Throat Opening

STANDARD CITY OF DALLAS					
TYPE "Y" INLET					
DEPARTMENT OF PUBLIC WORKS					
DRAWN	TRACED	DATE	SCALE	FILE	SHEET
H.C.	R.E.H.	3-30	NO. ED	424	15 of 15