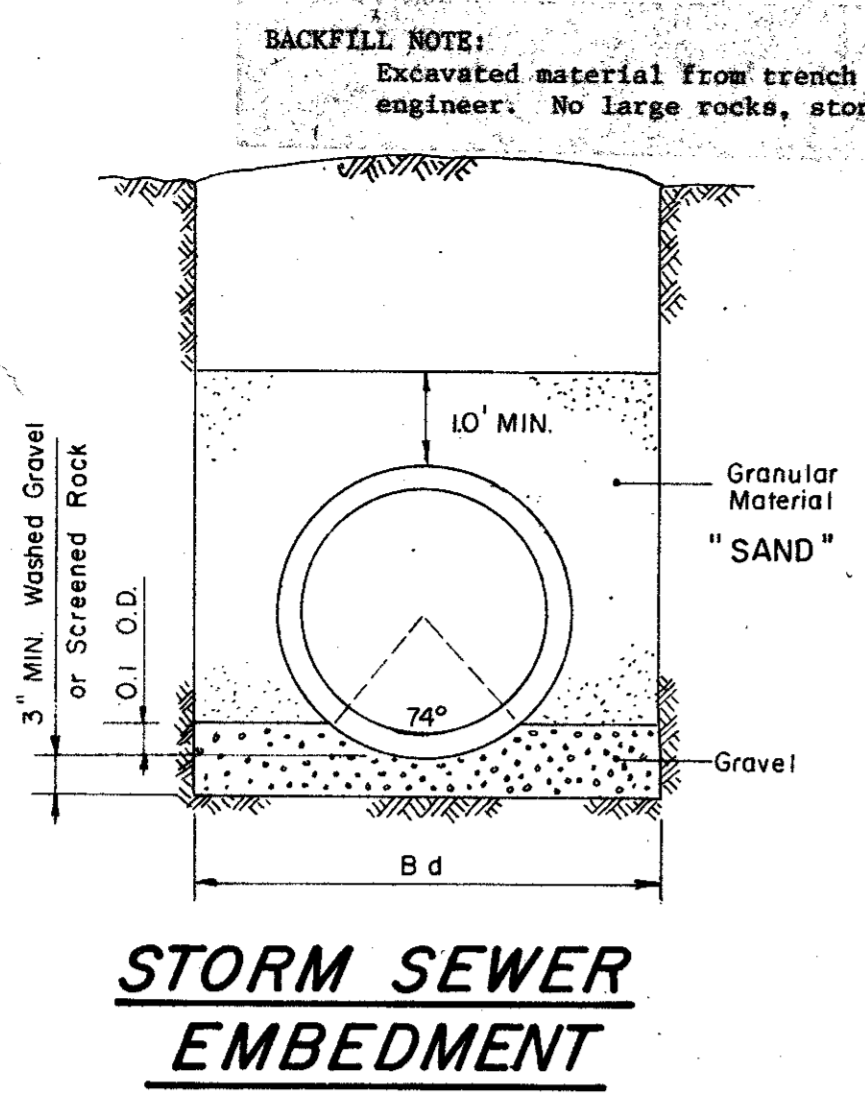
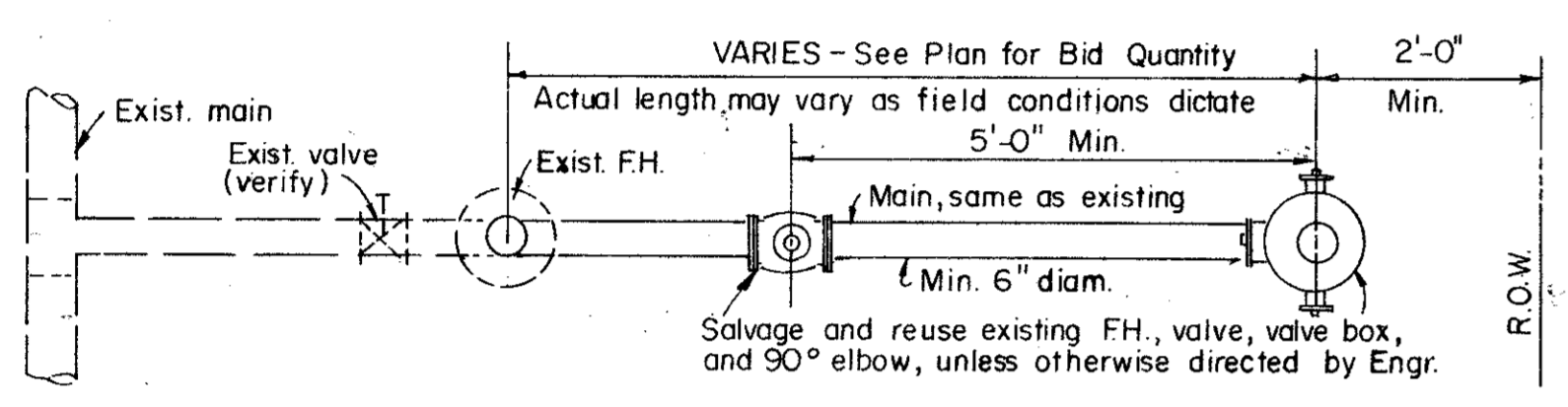


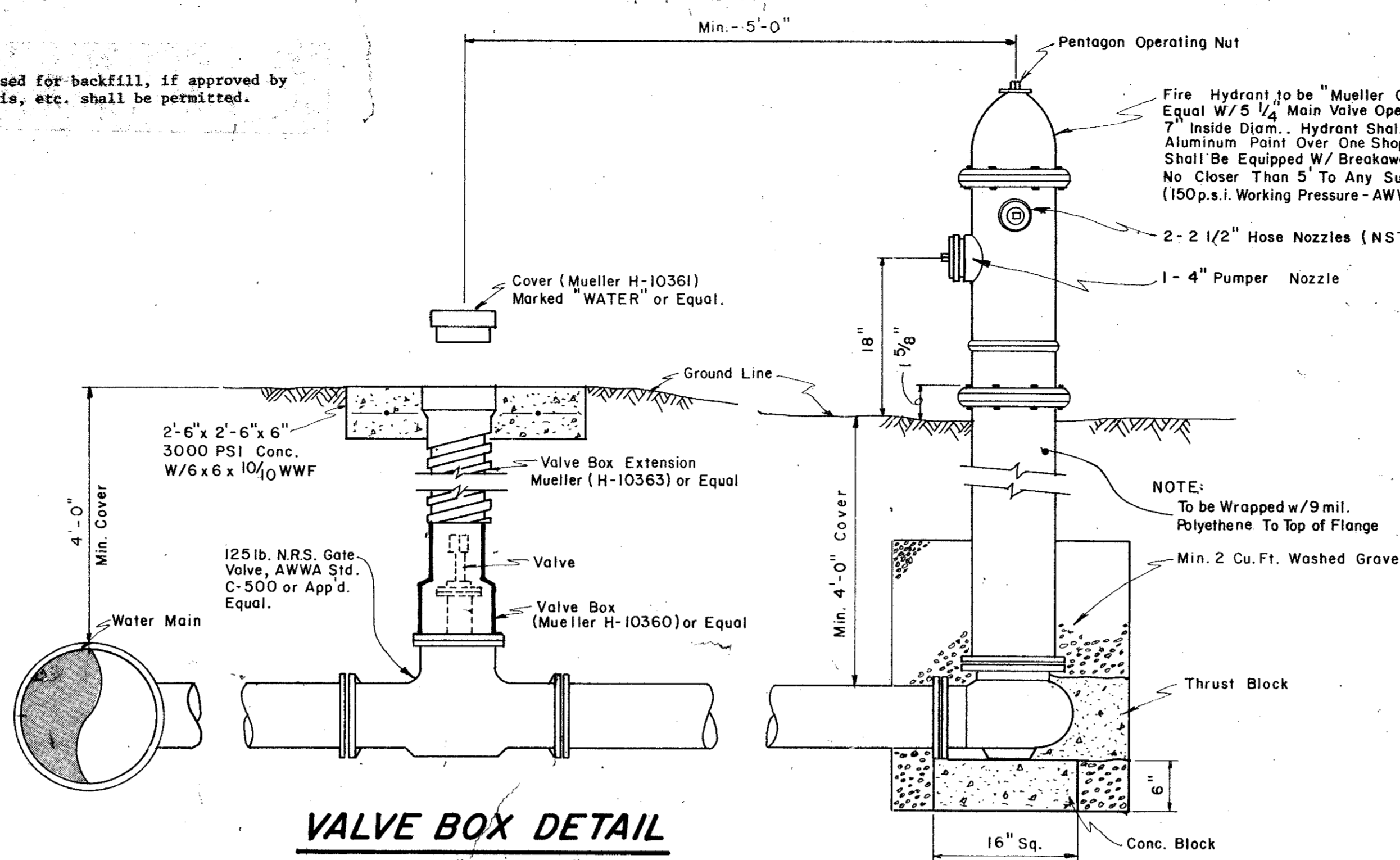
STORM SEWER EMBEDMENT				
PIPE DIAM.	I.D.	O.D.	B d	CU. YDS. Per 100 L.F.
				GRAVEL
15"	19"	39"	4.53	22.28
18"	22.5"	42"	5.13	25.15
21"	26"	45"	5.76	28.03
24"	29.5"	48"	6.42	30.94
27"	33"	51"	7.11	33.86
30"	37"	54"	7.85	36.72
33"	40.5"	57"	8.59	39.64
36"	44"	60"	9.36	42.58
39"	47.5"	63"	10.16	45.53
42"	51"	66"	10.99	48.51
48"	58"	72"	12.72	54.51
54"	65"	78"	14.57	60.57
60"	72"	84"	16.53	66.71
66"	79"	90"	18.60	72.92
72"	86"	96"	20.79	79.19
78"	93"	102"	23.08	85.53
84"	100"	108"	25.49	91.95
90"	108.5"	115"	28.47	99.02
96"	114"	120"	30.64	104.98
102"	122.5"	129"	34.66	118.41



STORM SEWER EMBEDMENT

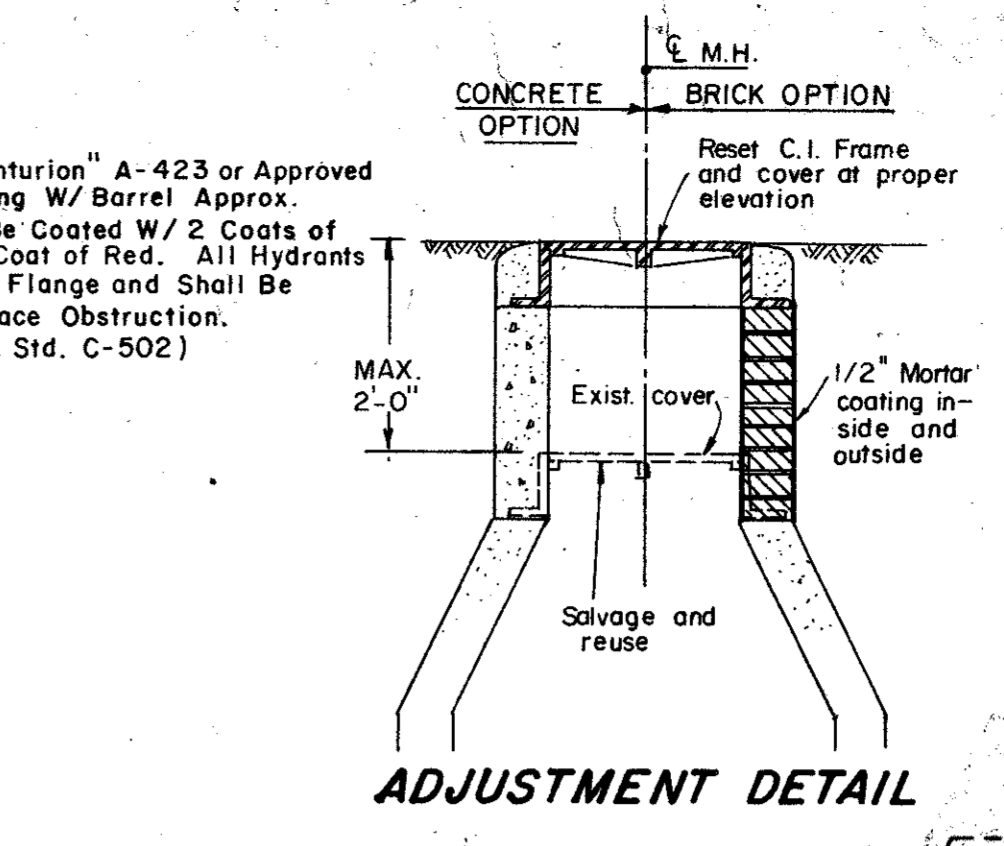


FIRE HYDRANT RELOCATION DETAIL

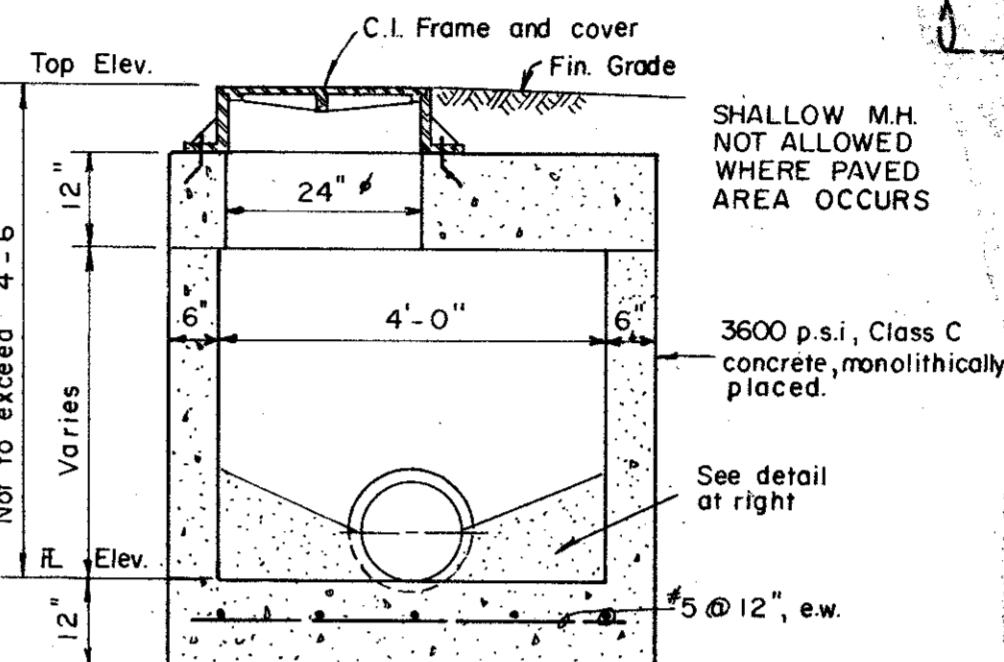


FIRE HYDRANT INSTALLATION

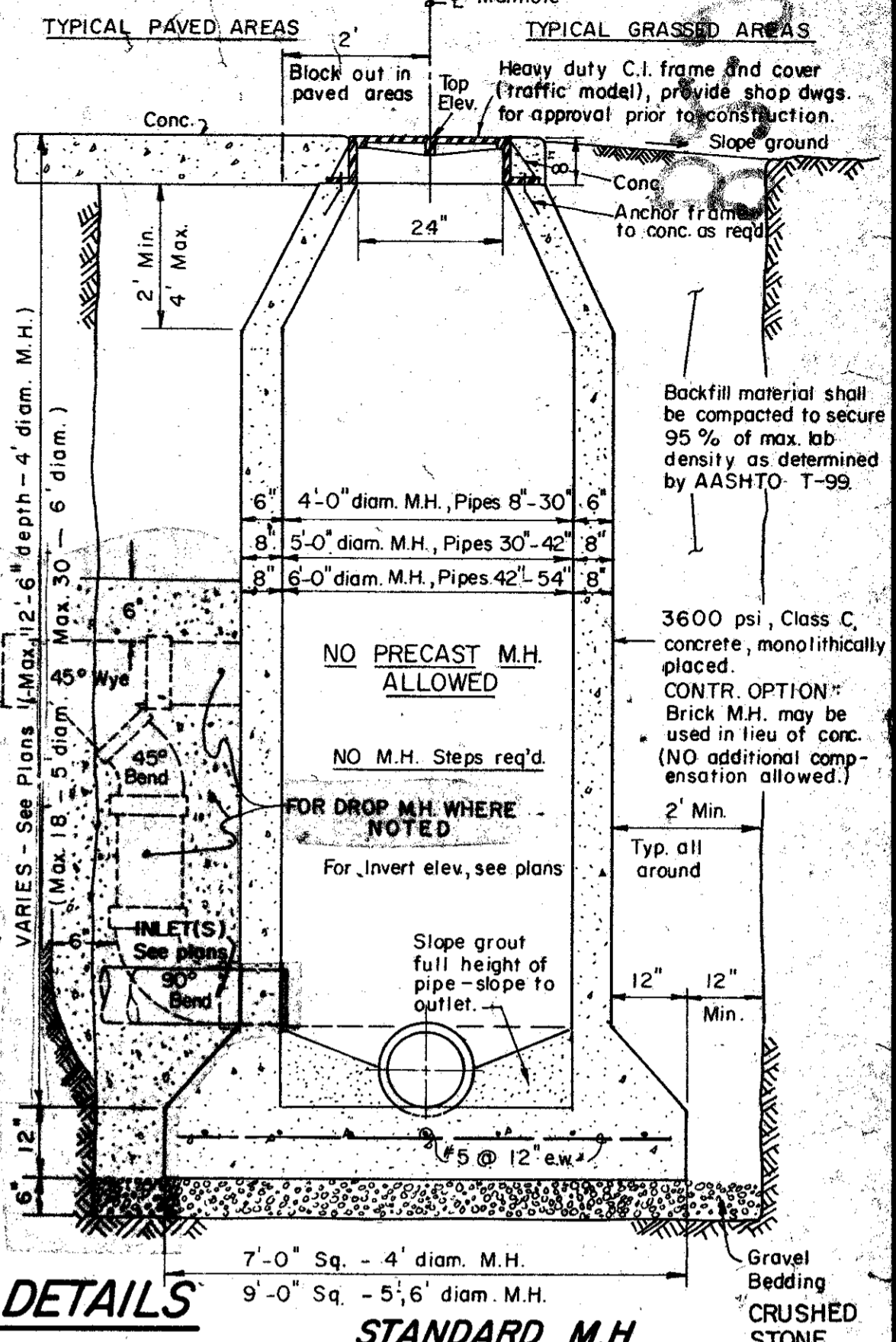
VALVE BOX DETAIL
(See Plans for "Main Size")



ADJUSTMENT DETAIL

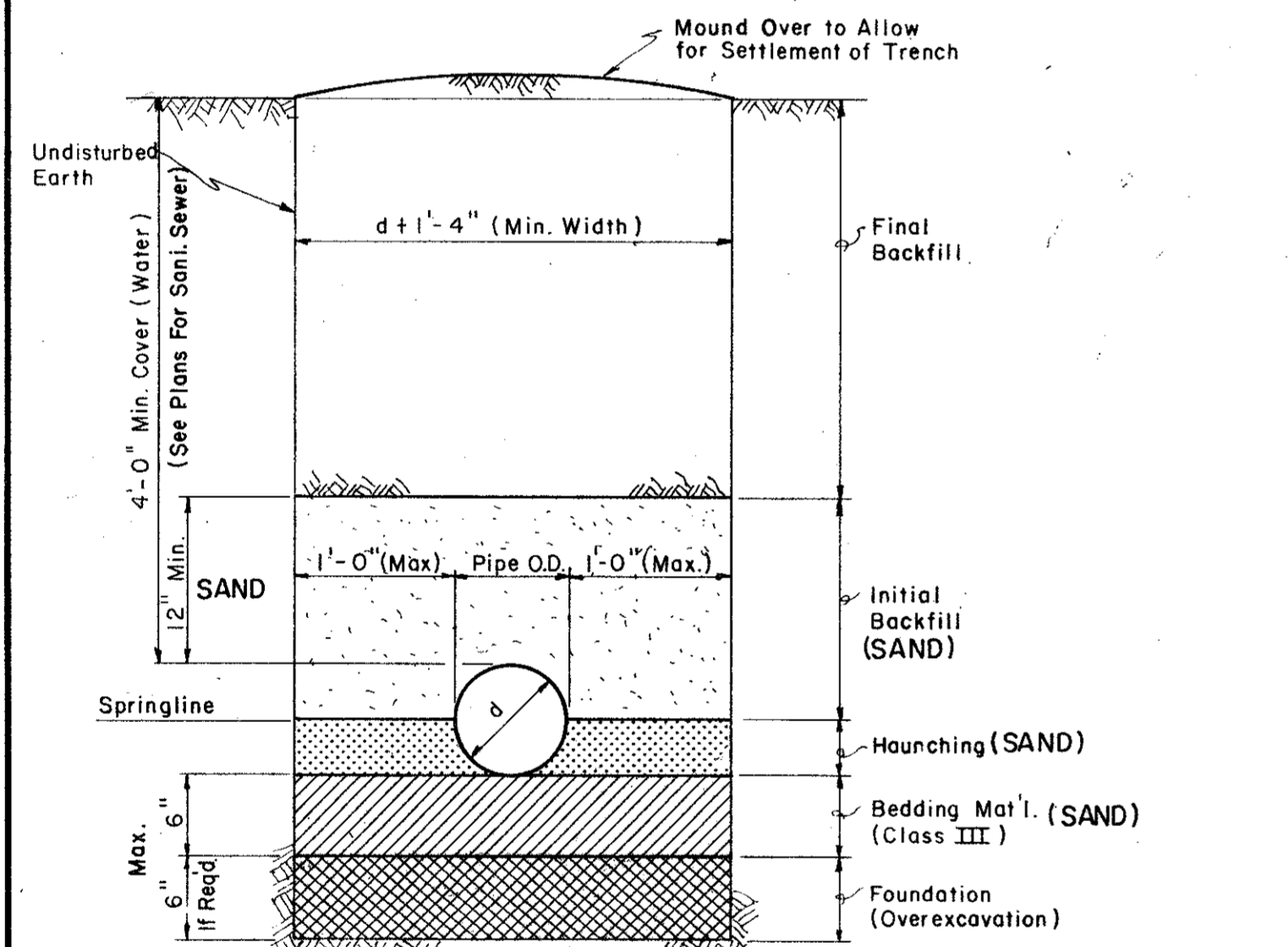


SHALLOW M.H.



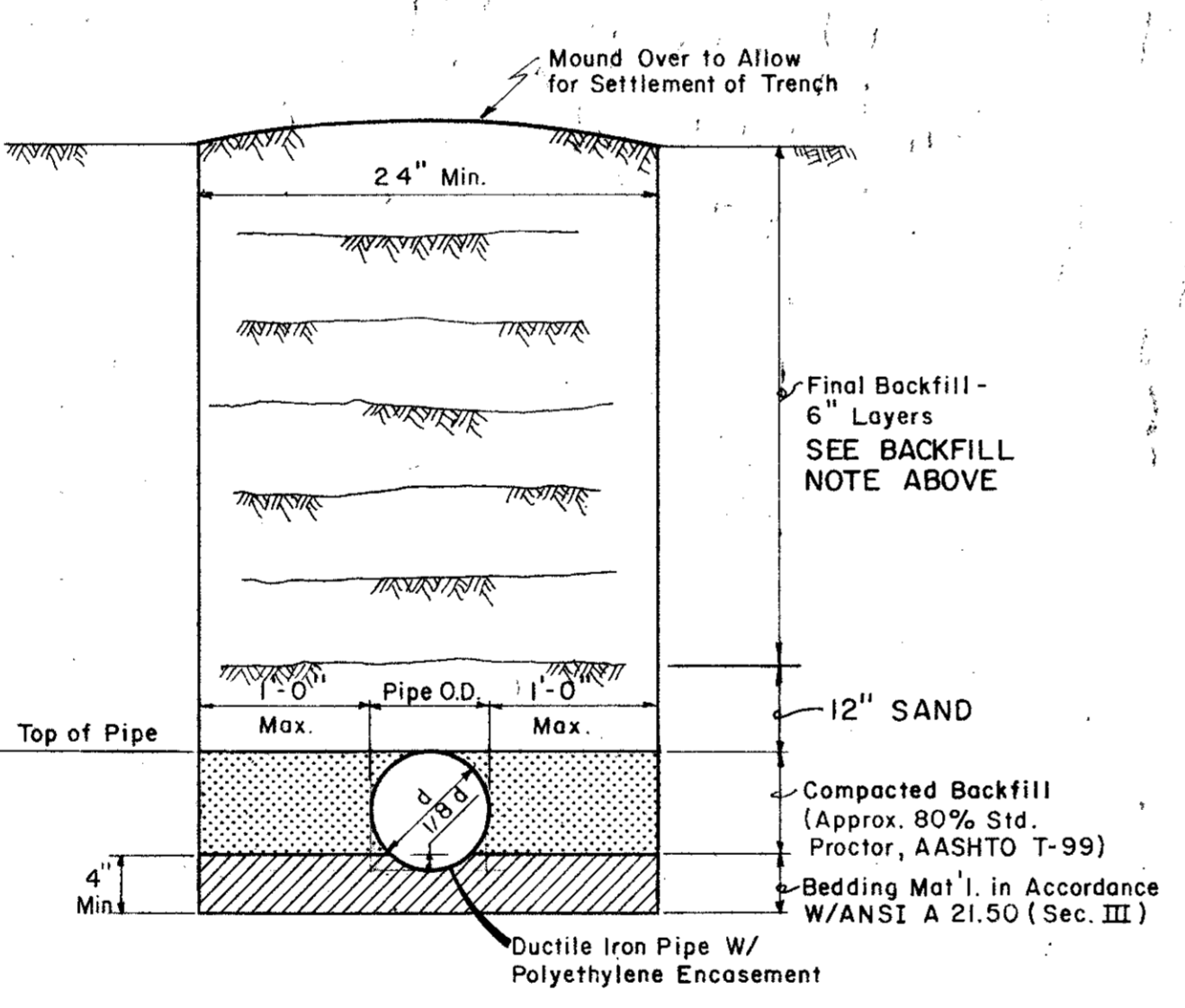
TYPICAL MANHOLE DETAILS

STANDARD M.H.



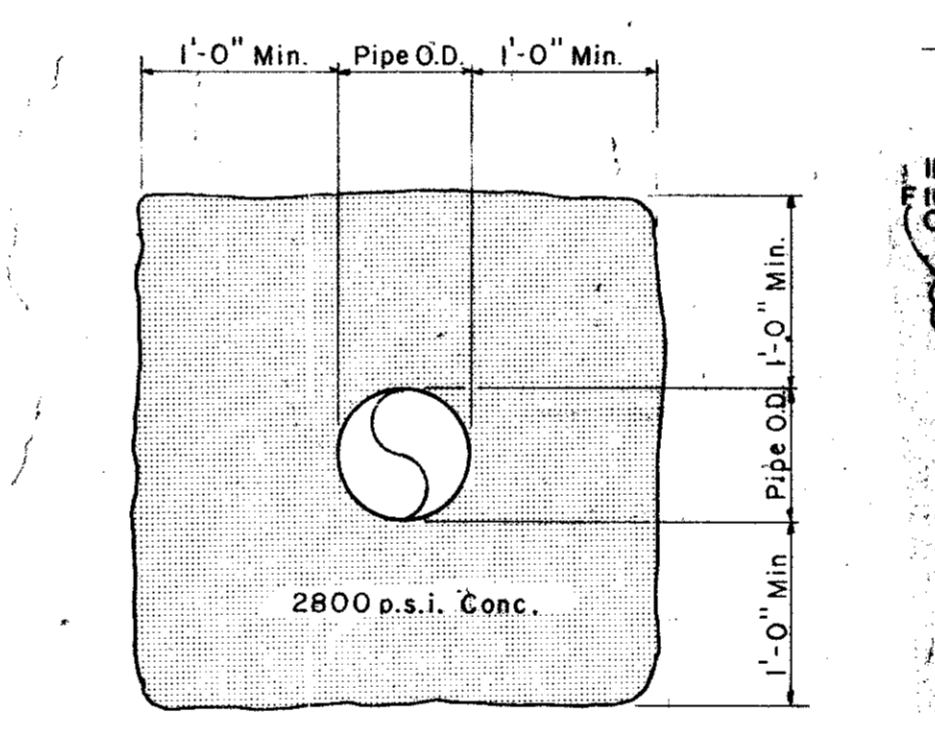
TYP. BACKFILL DETAIL (P.V.C)

Scale = 1" = 1'-0"

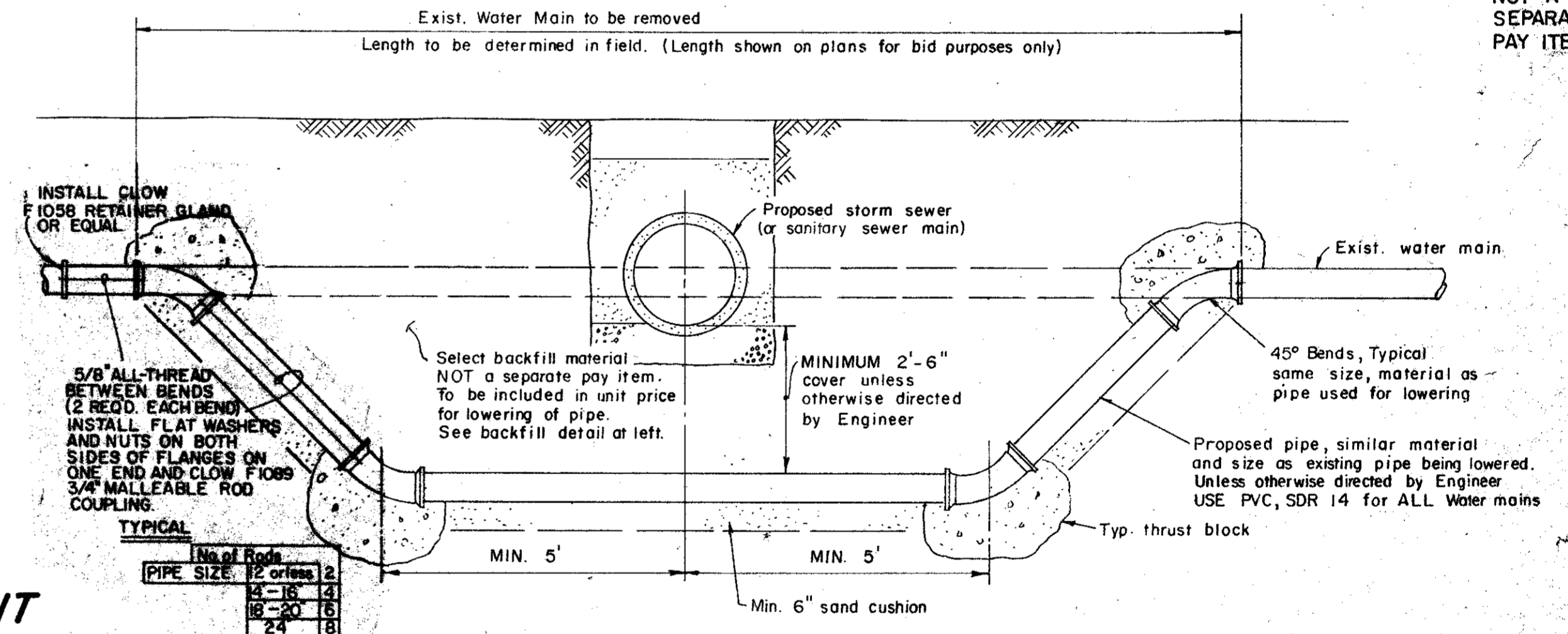


TYP. BACKFILL DETAIL (DUCTILE IRON PIPE)

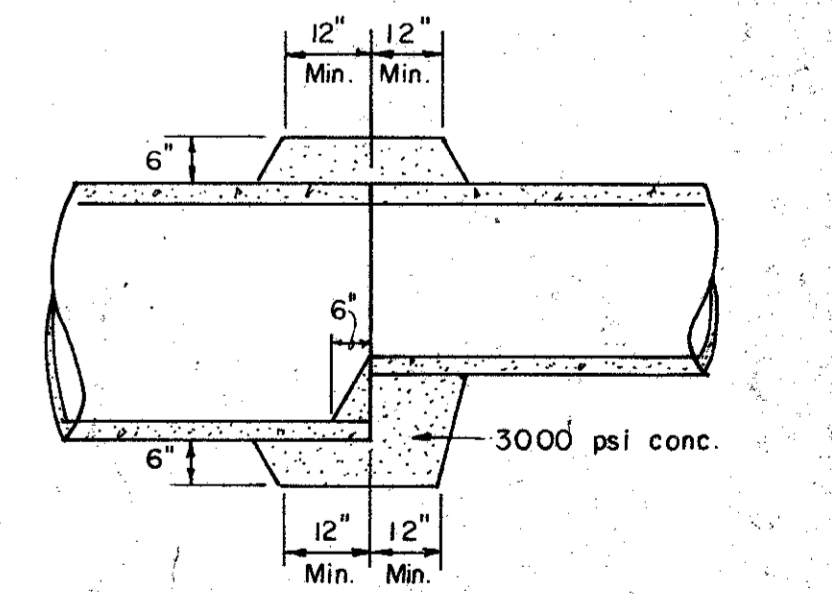
Scale = 1" = 1'-0"



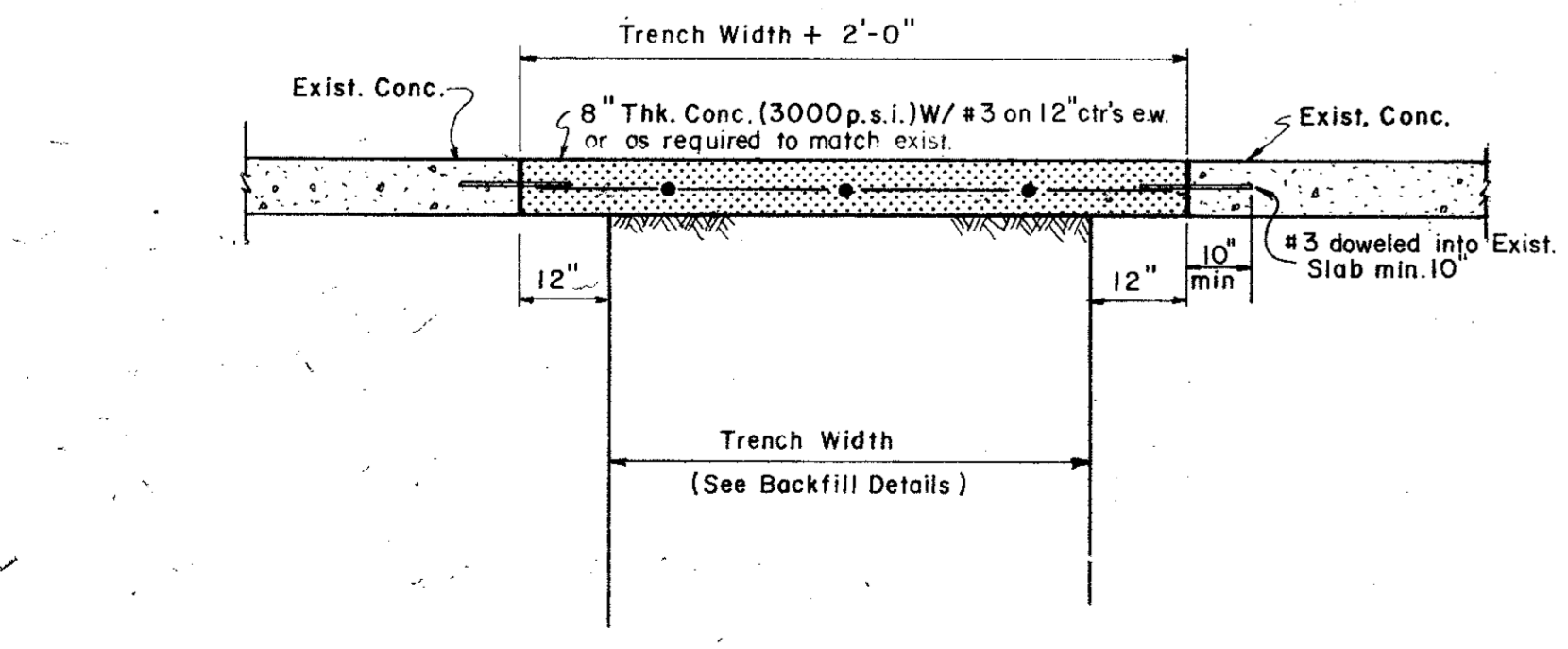
TYP. CONC. ENCASEMENT



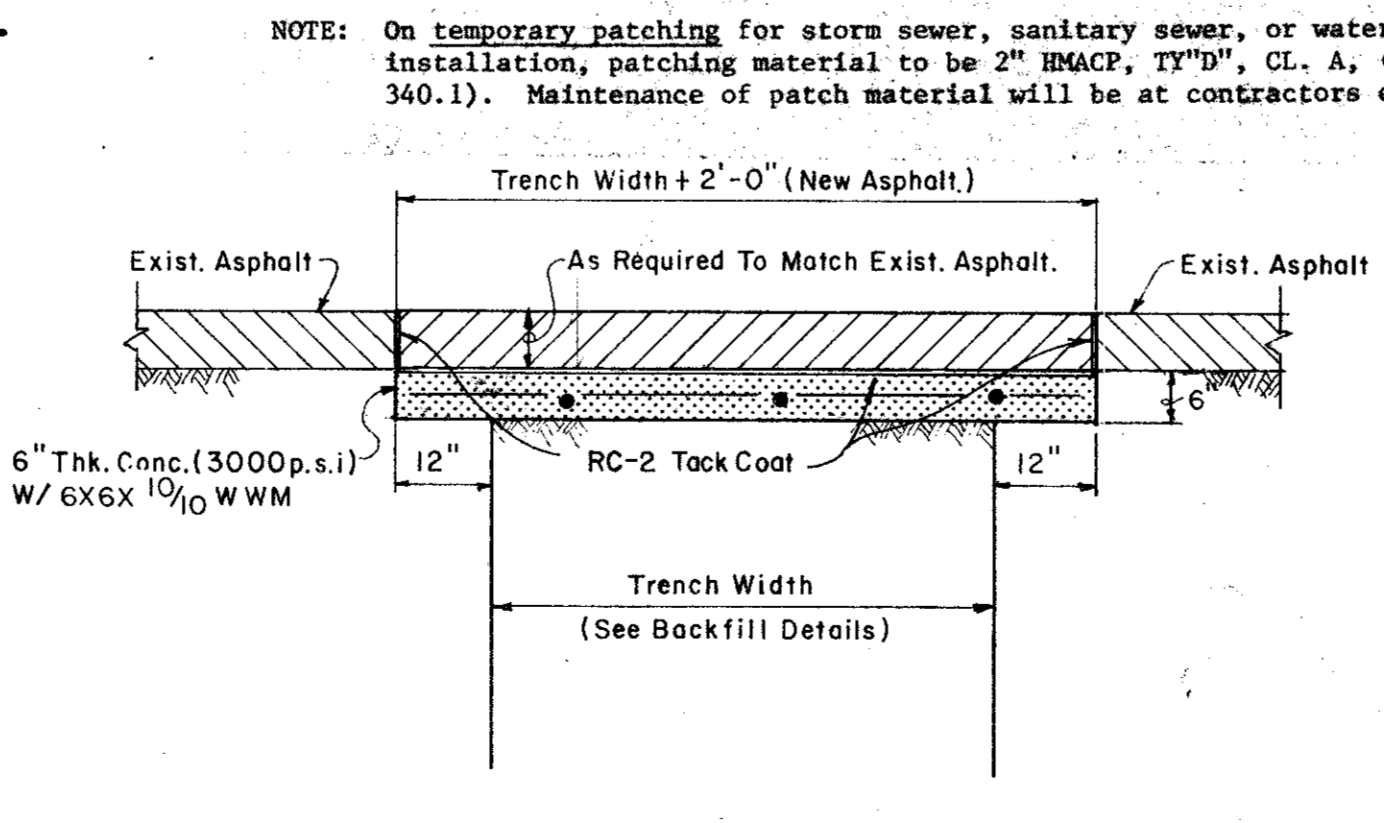
TYPICAL "LOWERING" DETAIL



CONC. COLLAR DETAIL

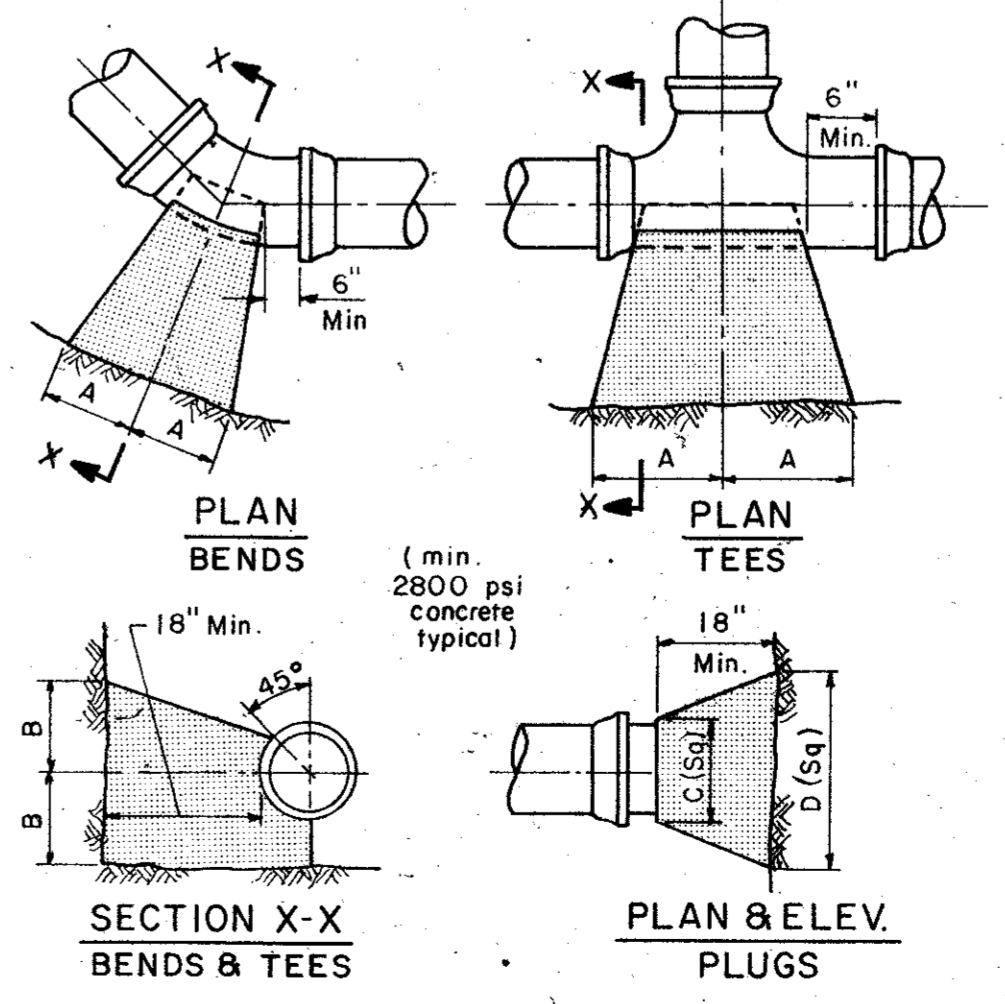


TYP. CONC. PAVEMENT REPLACEMENT DETAIL



TYP. ASPHALT PAVEMENT REPLACEMENT DETAIL

NOTE: On temporary patching for storm sewer, sanitary sewer, or water line installation, patching material to be 2" HMA, TY" D", CL. A, (pay item 340.1). Maintenance of patch material will be at contractors expense.



SOIL SIZE	BEND SIZE	1/4 BEND				1/2 BEND				TEE				PLUG
		A	B	A	B	A	B	A	B	C	D			
4000 PSF	8"	12"	12"	8"	10"	5"	9"	9"	12"	12"	20"			
2000 PSF	8"	22"	13"	12"	13"	8"	10"	13"	13"	12"	29"			

CITY OF ADDISON
DALLAS COUNTY, TEXAS
ARAPAHO ROAD/ QUORUM DRIVE

MISC. DETAILS

GINN, INC.
Consulting Engineers - Dallas, Texas

DESIGNED: W.K. DRAWN: S.M.M. DATE: DECEMBER, 1963
APPROVED: H.W.G. CHECKED: G.F. SCALE: AS SHOWN SHEET 26 OF 28