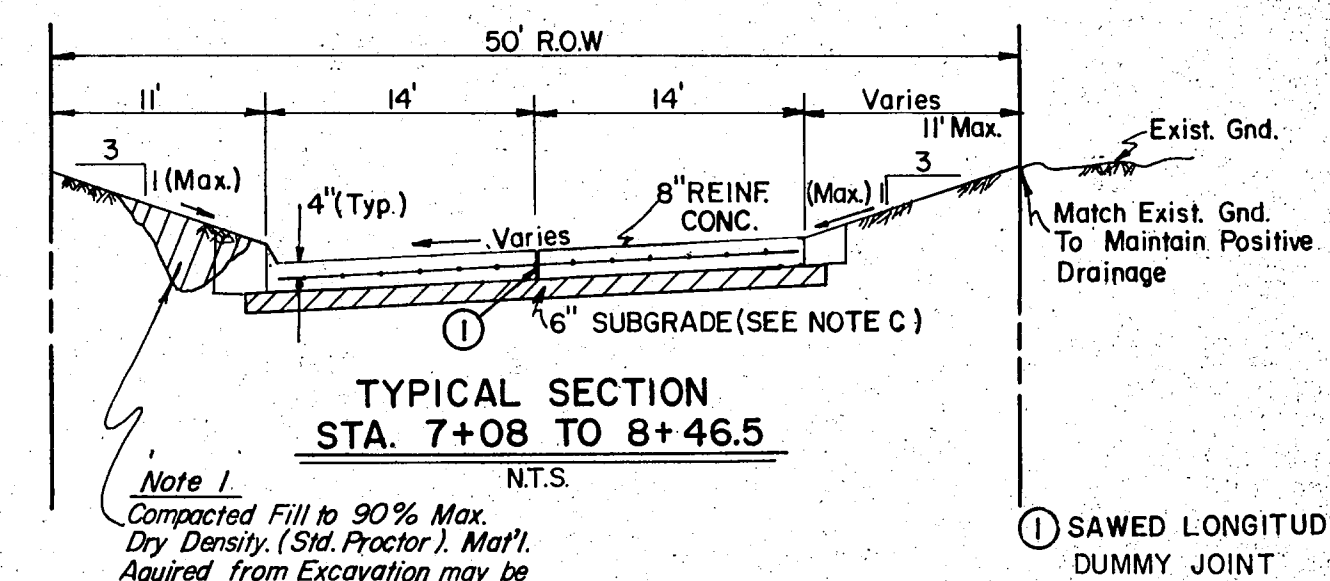
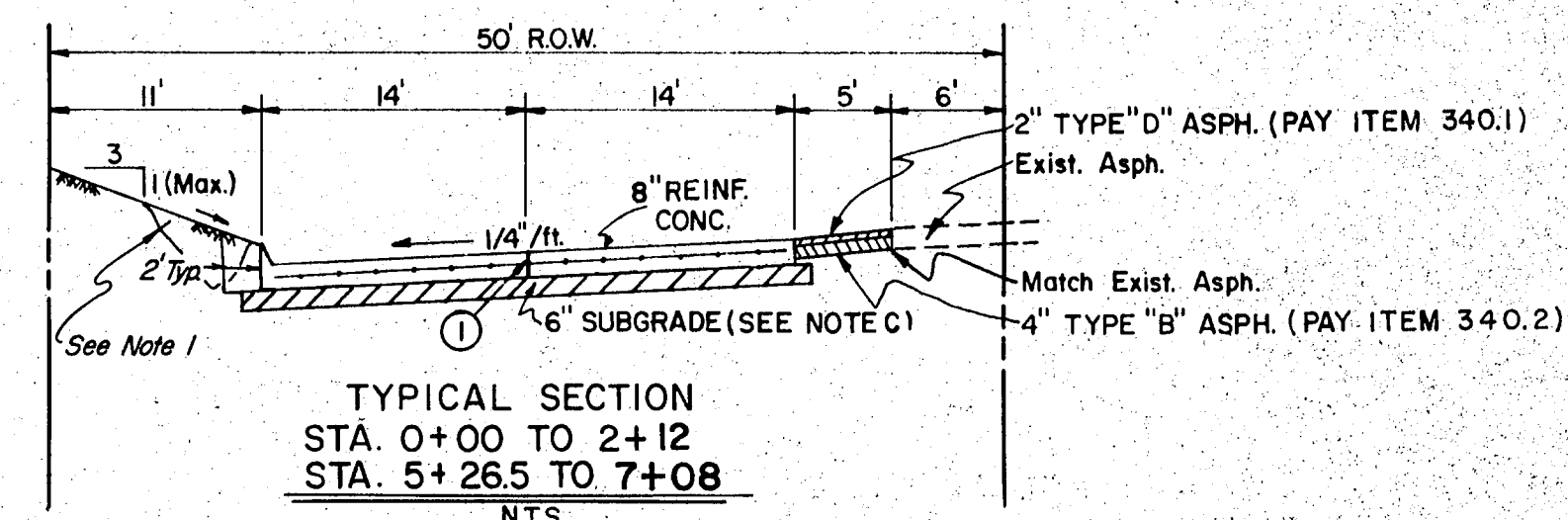
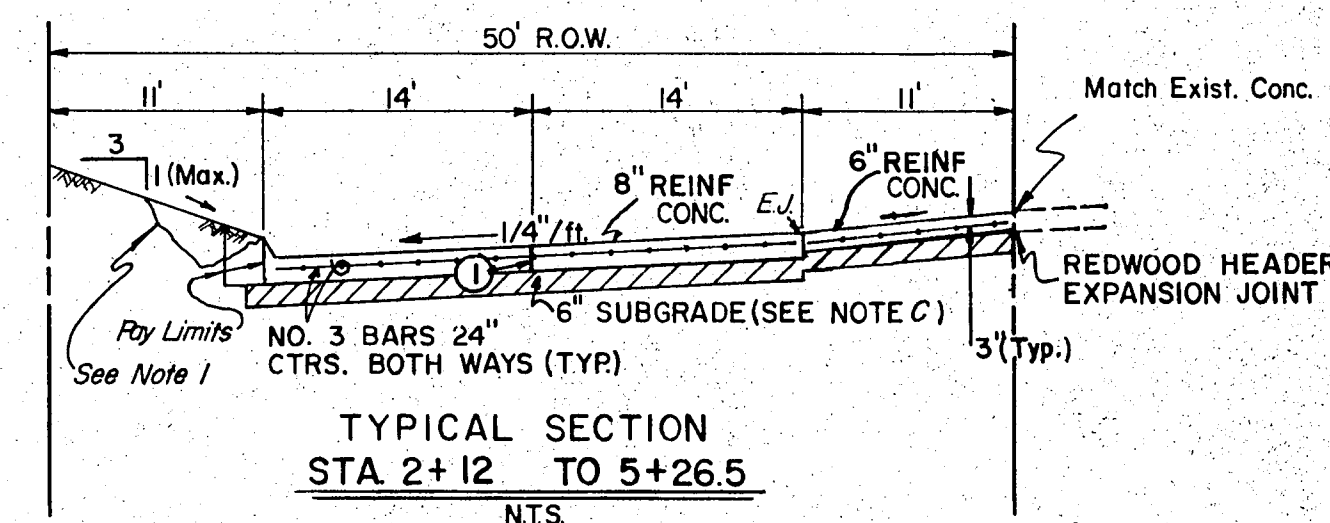


GENERAL NOTES

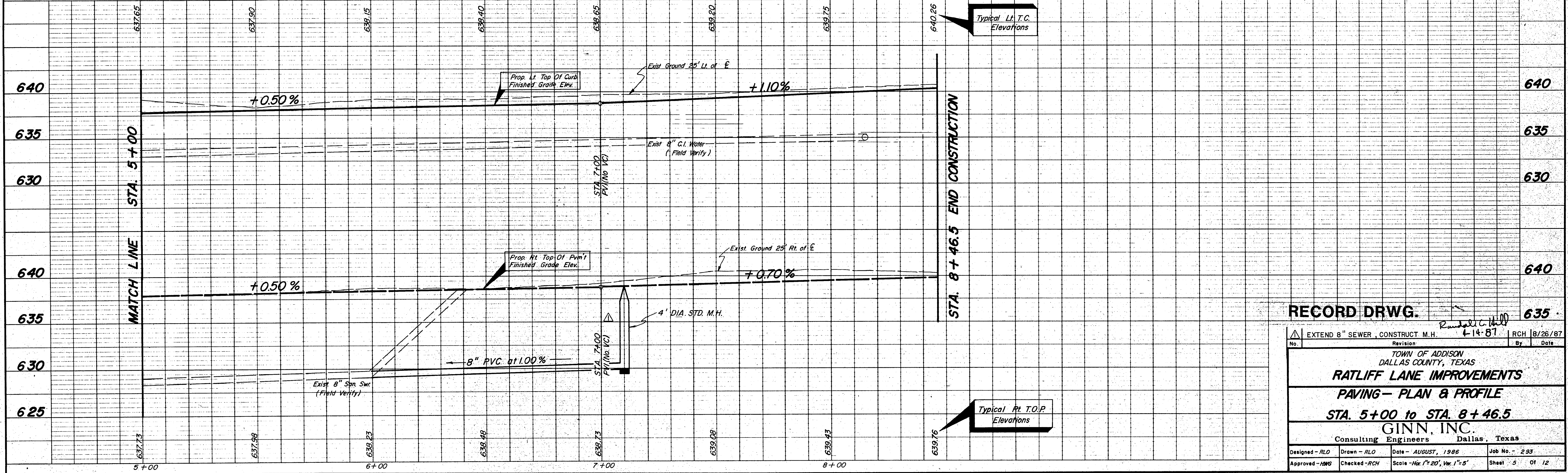
- A. General
 - Pavement thickness for street shall be as specified on typical sections.
- Standard Specifications
- B. Reinforced Concrete Pavements (3000 psi (5 Sack Mix) @ 28 days)
 1. All curbs shall be placed integral with pavement.
 2. Curbs shall meet the same compressive strength as specified for the concrete pavement.
 3. Detail and Arrangement of Joints, all types, shall be as shown on the Paving detail Sht. - Sht. No. 7 or as approved by Engineer.
 4. Bar laps shall be 30 diameters.
- C. Subgrade
 - Subgrade under all pavement shall be 6 inches thick and shall be stabilized with 6 percent by weight of hydrated lime (27 lbs/s-y.) and compacted to a density not less than 95 percent as determined by A.A.S.H.O. T-99. Laboratory tests may be submitted to the Engineer for approval to lower amount of lime required.
- D. Bar chairs or an approved supporting device shall be furnished.
- E. Cross slope shall be 1/4" per foot unless otherwise noted or approved by Engineer.



CAUTION:
CONTRACTOR SHALL NOTIFY LONE STAR GAS, SOUTHWESTERN OIL, T.R. & L. AND TOWN OF ADDISON UTILITY DEPT. 24 HOURS PRIOR TO BEGINNING CONSTRUCTION VERIFY ALL UTILITIES

B.M. on the Concrete Porch of the Wilson Company at 16301 Addison Road. Elev. 638.46

W.M.W. J.V. Kenneth L. Thornton T. F. Stone Companies, Inc.



RECORD DRWG.		4-14-87	
EXTEND 8" SEWER, CONSTRUCT M.H.			
No.	Revision	By	Date
			18/26/87
TOWN OF ADDISON DALLAS COUNTY, TEXAS			
RATLIFF LANE IMPROVEMENTS			
PAVING - PLAN & PROFILE			
STA. 5+00 to STA. 8+46.5			
GINN, INC.			
Consulting Engineers Dallas, Texas			
Designed - RLO	Drawn - RLO	Date - AUGUST, 1986	Job No. - 293
Approved - HWG	Checked - RCH	Scale - HORIZ. 1" = 20', VERT. 1" = 5'	Sheet - 5 of 12