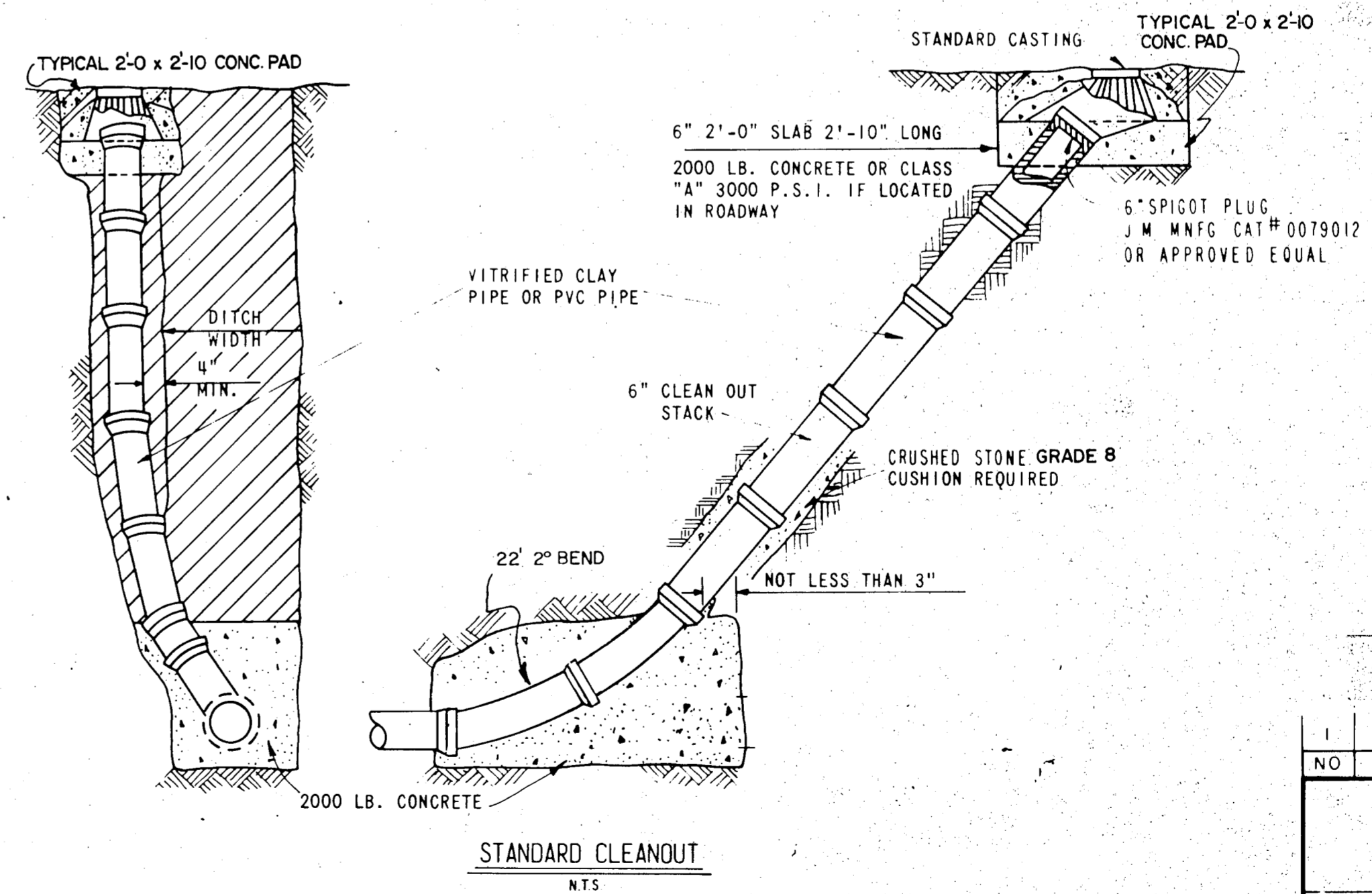
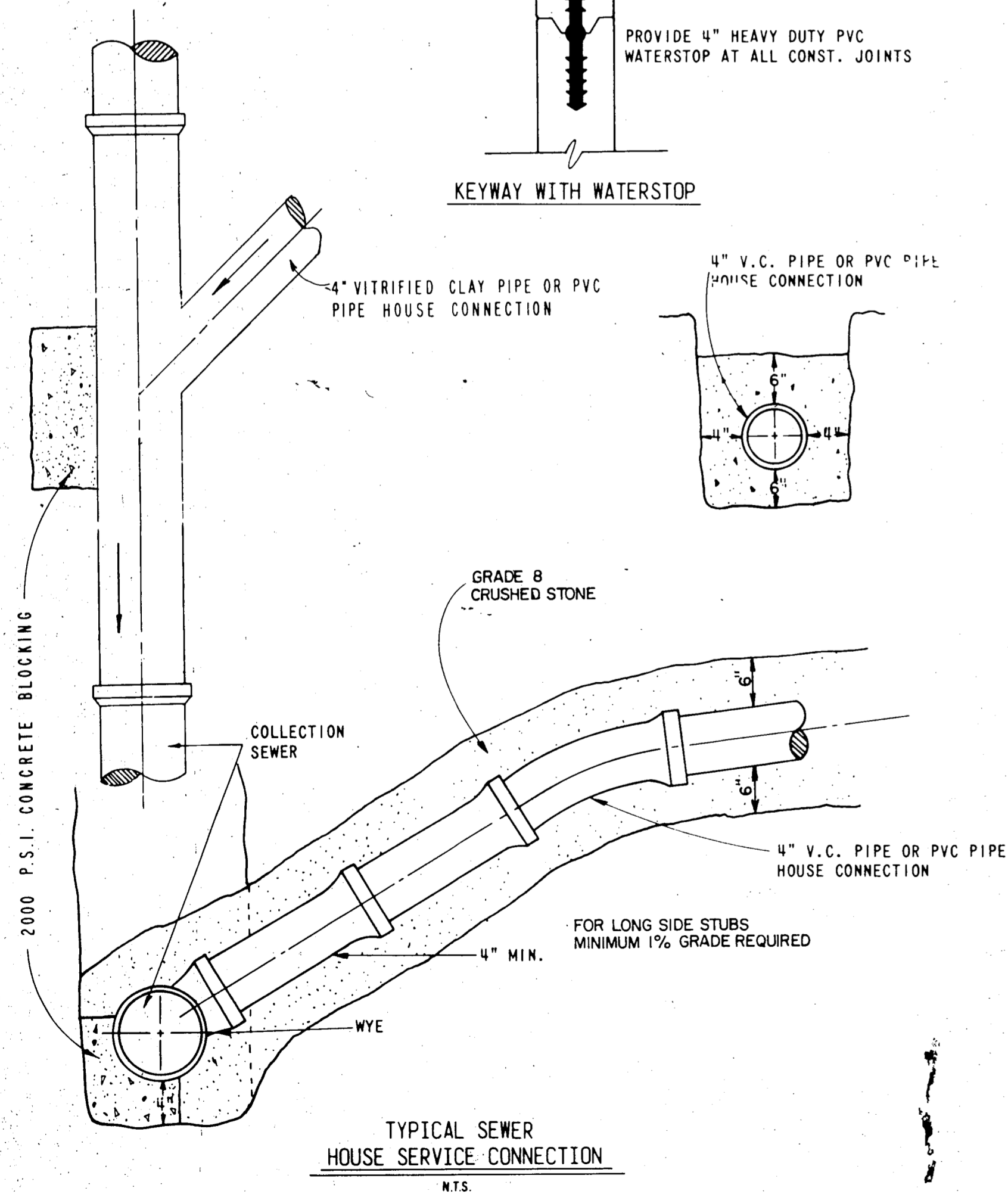
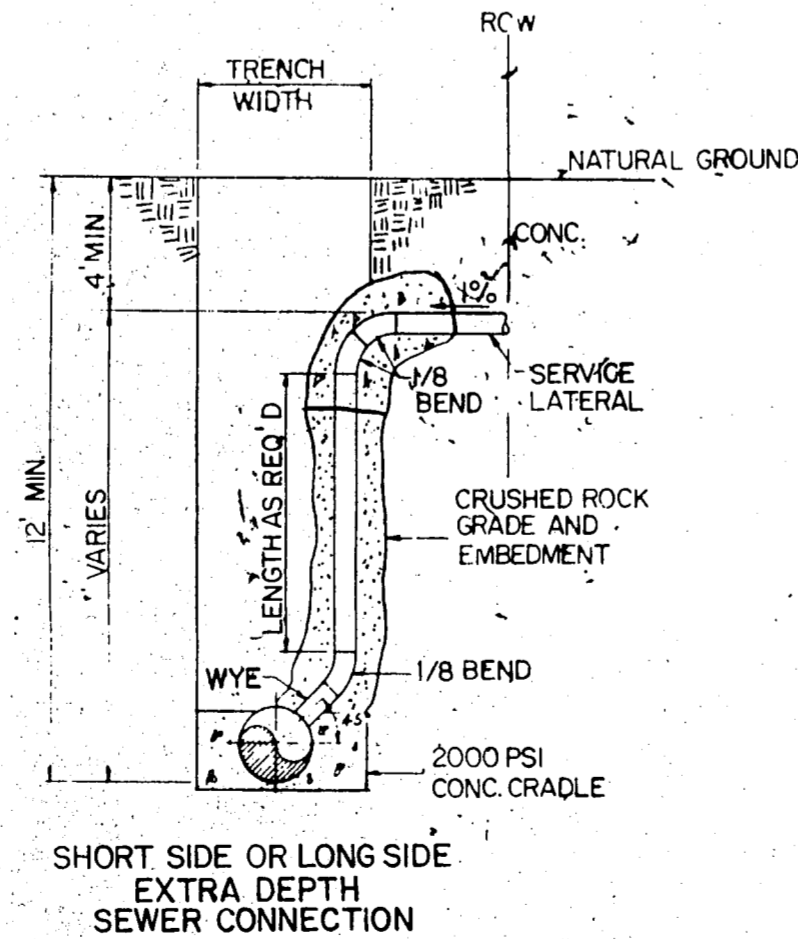
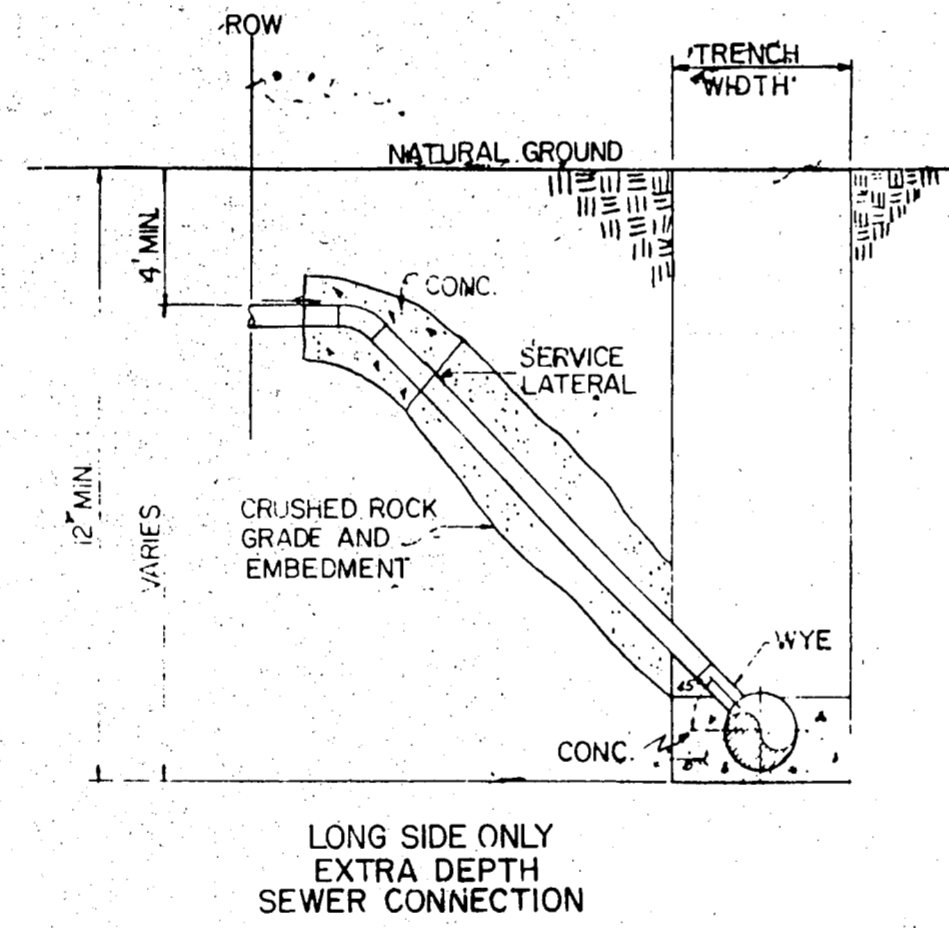
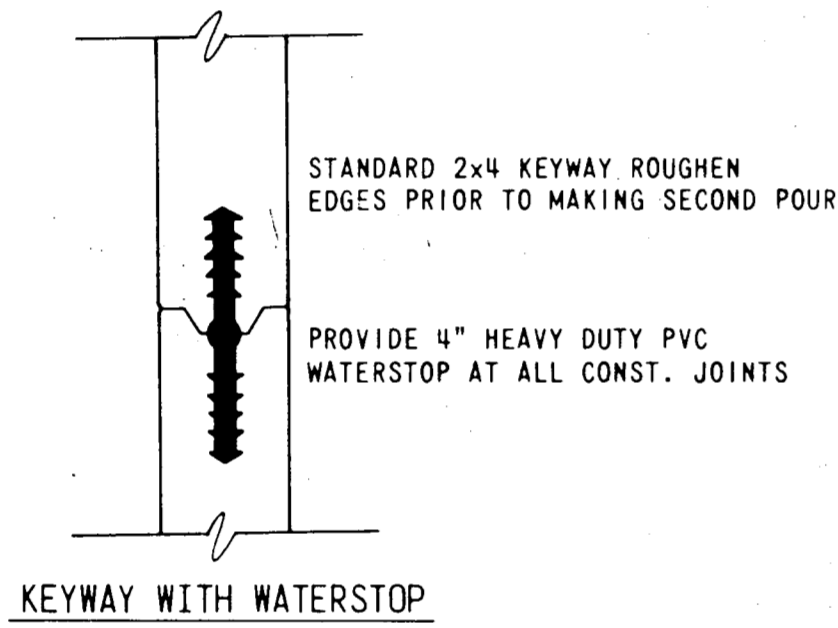
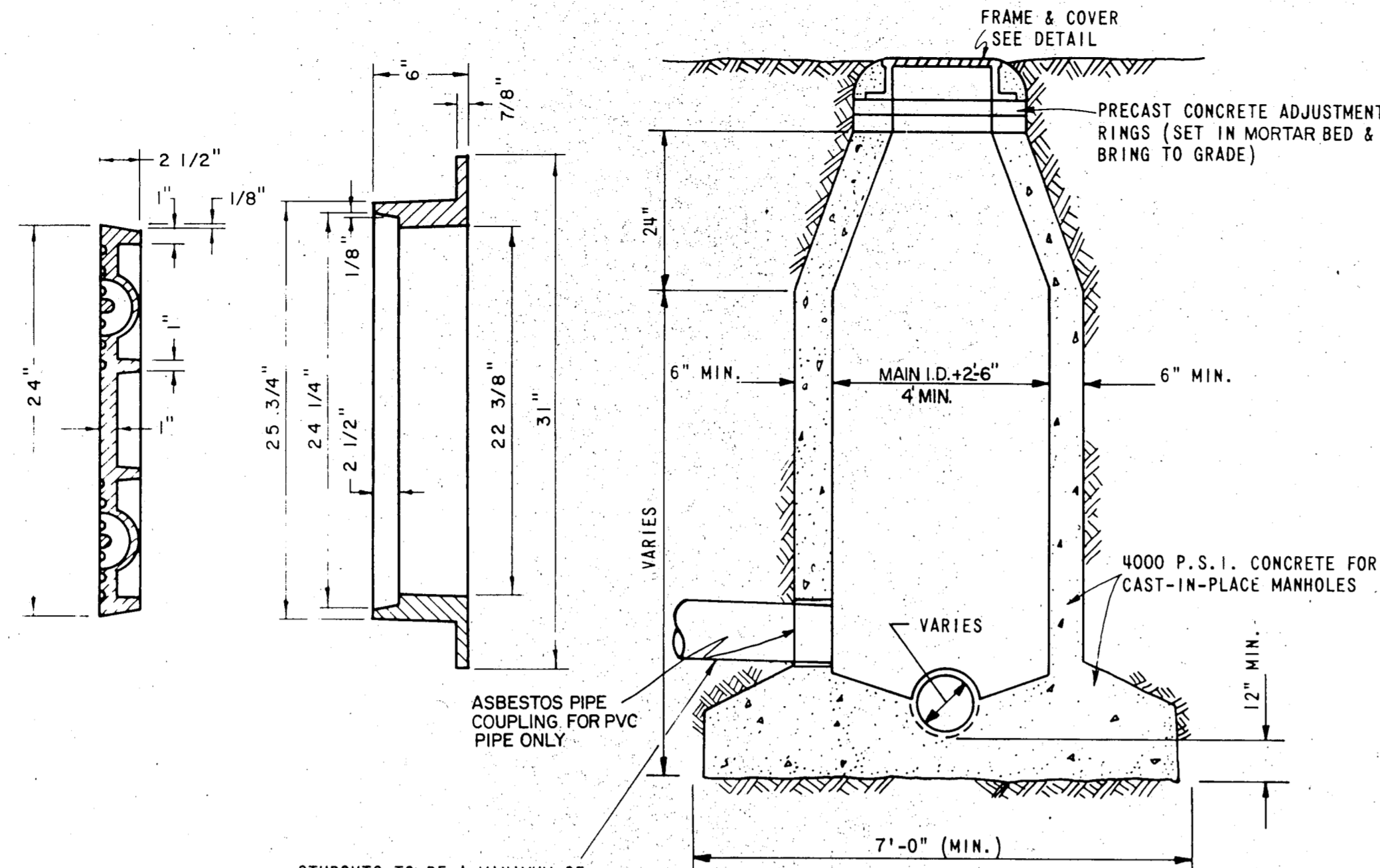


APPROX.
WEIGHT
RING AND COVER
385 LBS.

CAST IRON GRATE AND FRAME DETAIL
PROVIDE WITH PICK SLOTS ONLY.



ALL PVC SANITARY SEWER PIPE TO BE SDR 35, GREEN IN COLOR, WITH INTEGRAL BELL. IT SHALL BE THE RESPONSIBILITY OF THE CONTRACTOR TO FIELD LOCATE HORIZONTALLY EACH 4' SERVICE IN RELATION TO THE SANITARY SEWER STATIONING. RECORD ON 'AS BUILTS' FIELD TIES ARE TO BE INCLUDED AND RECORDED ON ALUMINIZED SANITARY SEWER TAPE. THIS TAPE, GREEN OR RED IN COLOR, IS TO BE ATTACHED TO THE 4' SERVICE AT THE ROW LINE AND BROUGHT TO THE SURFACE TO BE USED AS A PERMANENT MARKER.

RECORD DRWG.

NO.	REVISED	REVISION	S.D.H.	10-8-85
			BY	DATE
TOWN OF ADDISON DEPARTMENT OF ENGINEERING				
STANDARD CONSTRUCTION DETAILS SANITARY SEWER				
MANHOLE - CLEANOUT - CONNECTIONS				
APPROVED			H. WAYNE GINN, P.E.	
DATE MARCH, 1984		SHEET SD-19		

