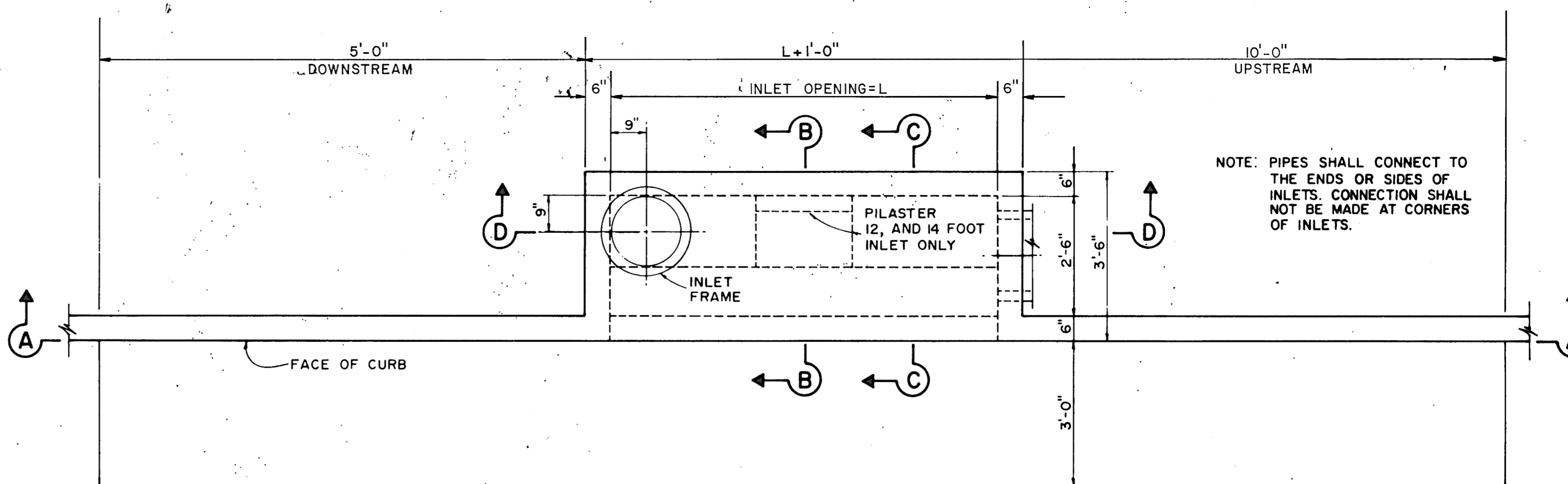
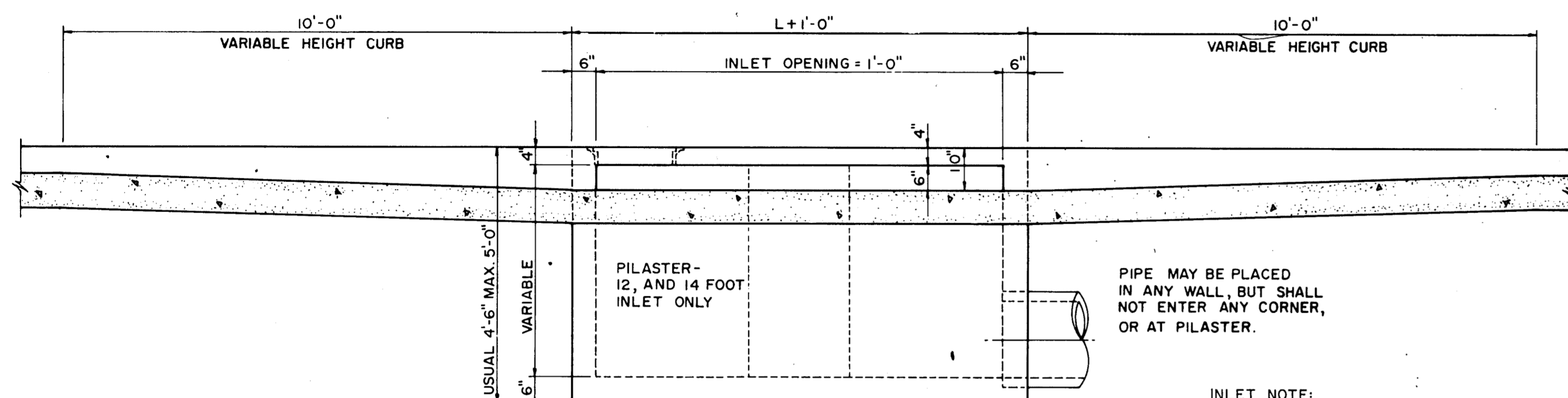


PLAN - RECESSED INLET



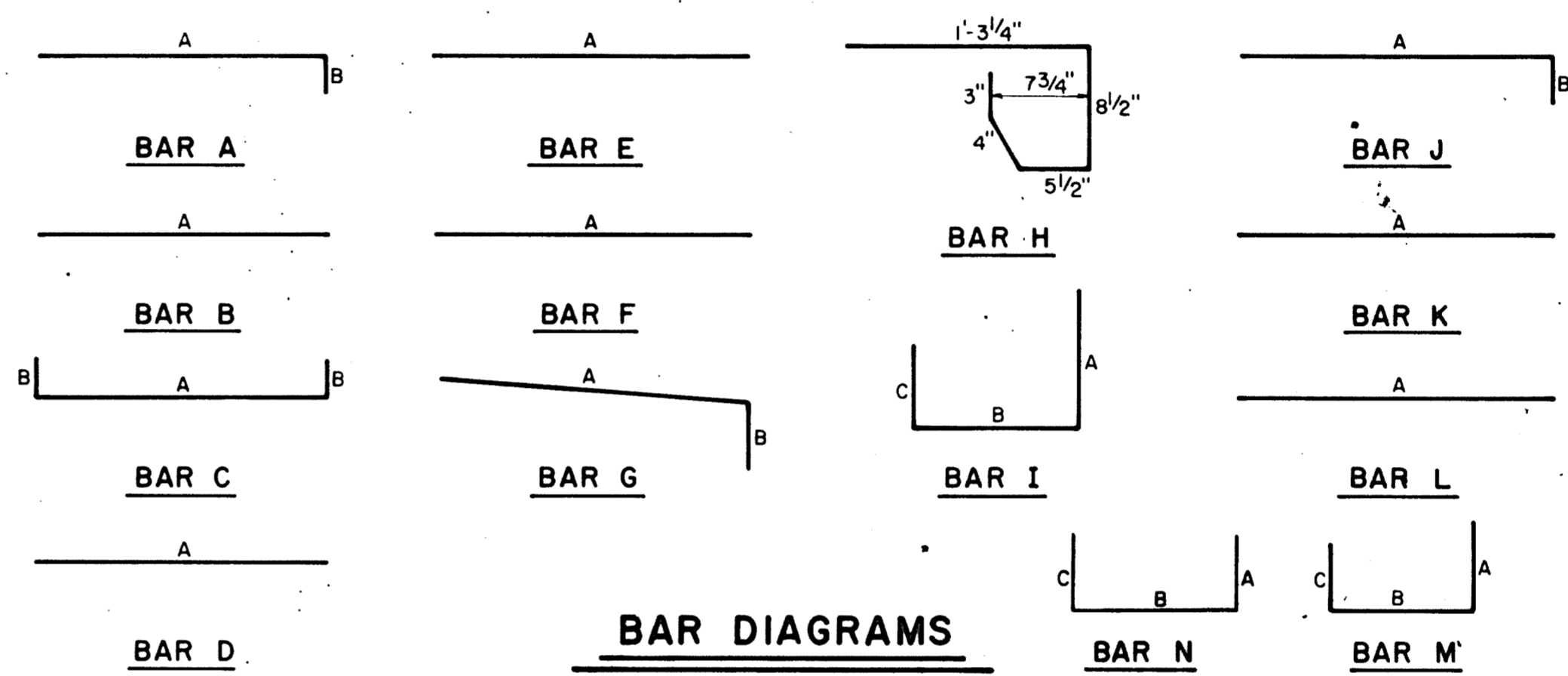
PLAN - STANDARD INLET

NOTE: PIPES SHALL CONNECT TO THE ENDS OR SIDES OF INLETS. CONNECTION SHALL NOT BE MADE AT CORNERS OF INLETS.



SECTION A-A-RECESSED AND STANDARD INLETS
4, 6, 8, 10, 12, AND 14 FOOT INLETS

INLET NOTE:
WHERE INLETS ARE INDICATED TO BE MODIFIED, REFER TO PLAN/PROFILE SHEETS FOR ELEV. DIFFERENT SIZES ON MODIFICATIONS. ALL OTHER ITEMS SHALL REMAIN AS SHOWN ON THIS STANDARD DETAIL SHEET.



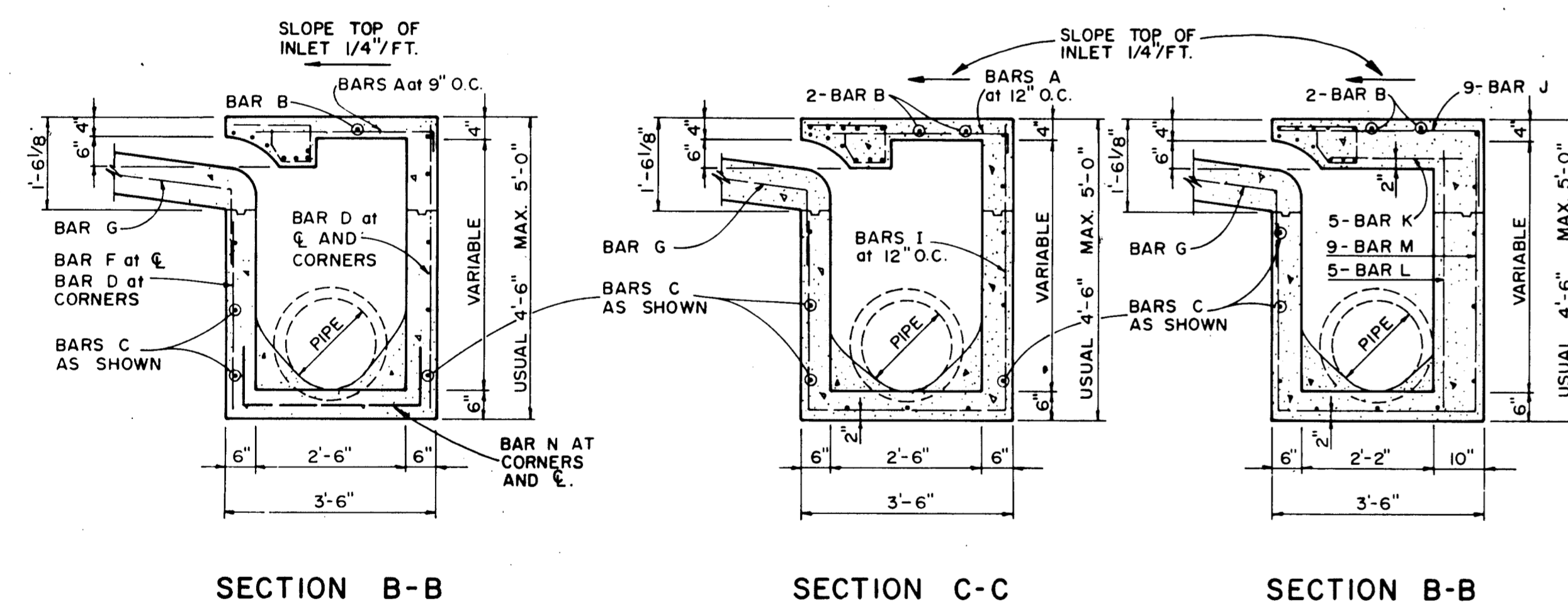
BAR DIAGRAMS

REINFORCING STEEL SCHEDULE

DIMENSIONS SHOWN ARE FOR MAXIMUM SIZE INLETS

INLET LENGTH	BAR TYPE	BAR DIA. (1/8 IN.)	NO. REQ'D	BAR DIMENSIONS		
				A	B	C
4	A	3	6	3'-2"	0'-3"	-
	B	3	1	2'-10"	-	-
	C	4	15	4'-8"	0'-6"	-
	D	4	5	4'-8"	-	-
	F	4	1	3'-2"	-	-
	G	3	5	2'-0"	1'-3"	-
	H	3	3	*	*	*
	N	3	3	3'-2"	3'-2"	3'-2"
6	A	3	9	3'-2"	0'-3"	-
	B	3	1	4'-10"	-	-
	C	4	15	6'-8"	0'-6"	-
	D	4	5	4'-8"	-	-
	F	4	1	3'-2"	-	-
	G	3	5	2'-0"	1'-3"	-
	H	3	3	*	*	*
	N	3	3	3'-2"	3'-2"	3'-2"
8	A	3	12	3'-2"	0'-3"	-
	B	3	1	6'-10"	-	-
	C	4	15	8'-8"	0'-6"	-
	D	4	5	4'-8"	-	-
	F	4	1	3'-2"	-	-
	G	3	5	2'-0"	1'-3"	-
	H	3	4	*	*	*
	N	3	3	3'-2"	3'-2"	3'-2"
10	A	3	10	3'-2"	0'-3"	-
	B	3	2	8'-10"	-	-
	C	4	16	10'-8"	0'-6"	-
	D	4	4	4'-8"	-	-
	E	5	6	10'-8"	-	-
	G	3	5	2'-0"	1'-3"	-
	H	3	15	*	*	*
	I	4	8	4'-8"	3'-2"	3'-2"
	L	4	5	4'-3"	-	-
	M	5	9	4'-3"	3'-2"	3'-9"
12	A	3	12	3'-2"	0'-3"	-
	B	3	2	10'-10"	-	-
	C	4	16	12'-8"	0'-6"	-
	D	4	4	4'-8"	-	-
	E	5	6	12'-8"	-	-
	G	3	5	2'-0"	1'-3"	-
	H	3	18	*	*	*
	I	4	10	4'-8"	3'-2"	3'-2"
	J	5	9	3'-2"	1'-3"	-
	K	4	5	2'-3"	-	-
	L	4	5	4'-3"	-	-
	M	5	9	4'-3"	3'-2"	3'-9"
14	A	3	14	3'-2"	0'-3"	-
	B	3	2	10'-10"	-	-
	C	4	16	14'-8"	0'-6"	-
	D	4	4	4'-8"	-	-
	E	5	6	14'-8"	-	-
	G	3	5	2'-0"	1'-3"	-
	H	3	21	*	*	*
	I	4	12	4'-8"	3'-2"	3'-2"
	J	5	9	3'-2"	1'-3"	-
	K	4	5	2'-3"	-	-
	L	4	5	4'-3"	-	-
	M	5	9	4'-3"	3'-2"	3'-9"

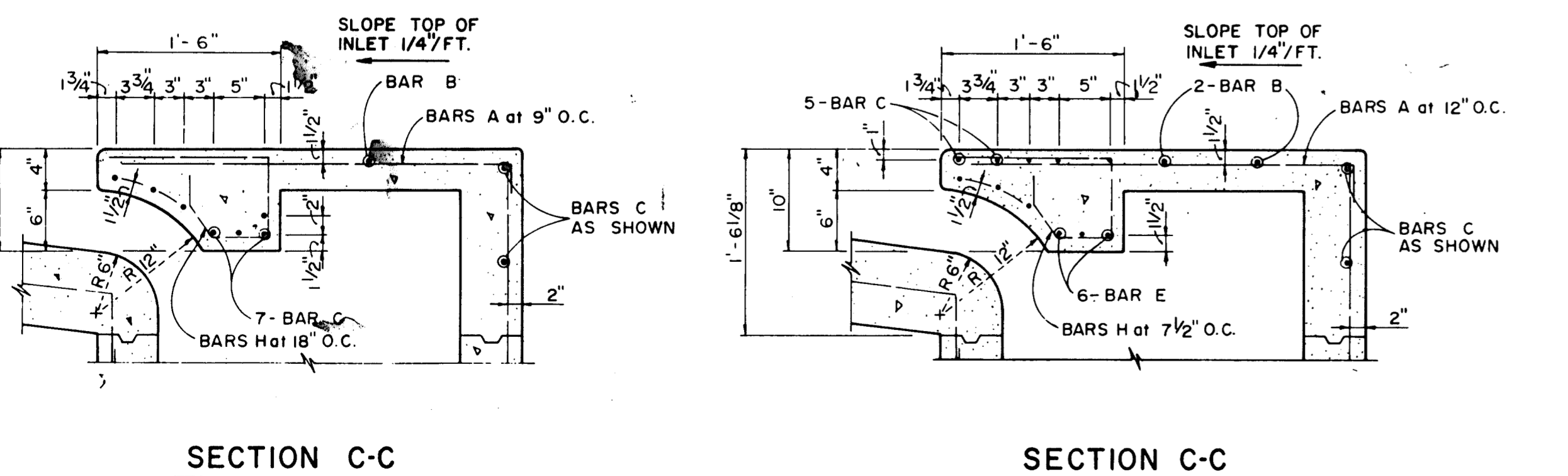
* SEE DIAGRAM FOR DIMENSIONS



SECTION B-B

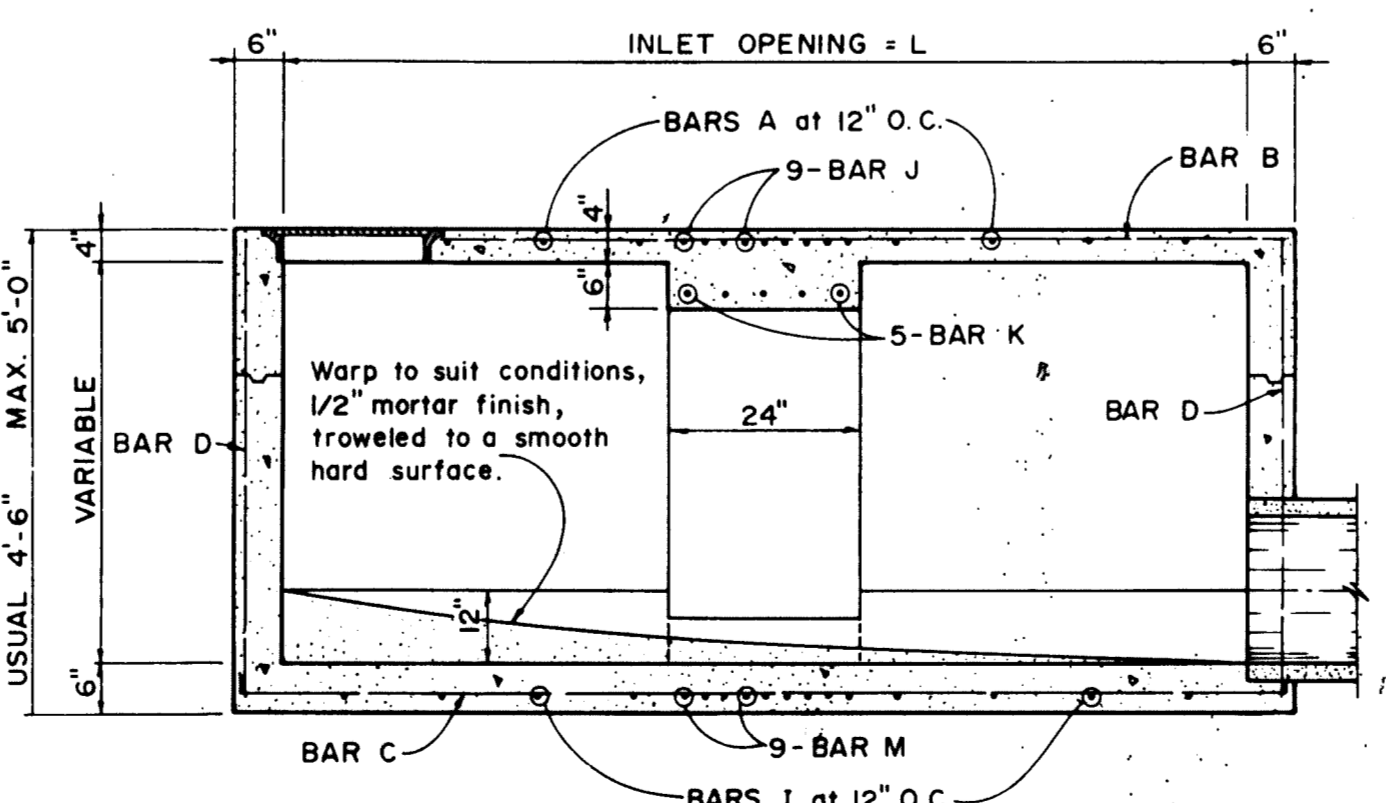
SECTION C-C

SECTION B-B

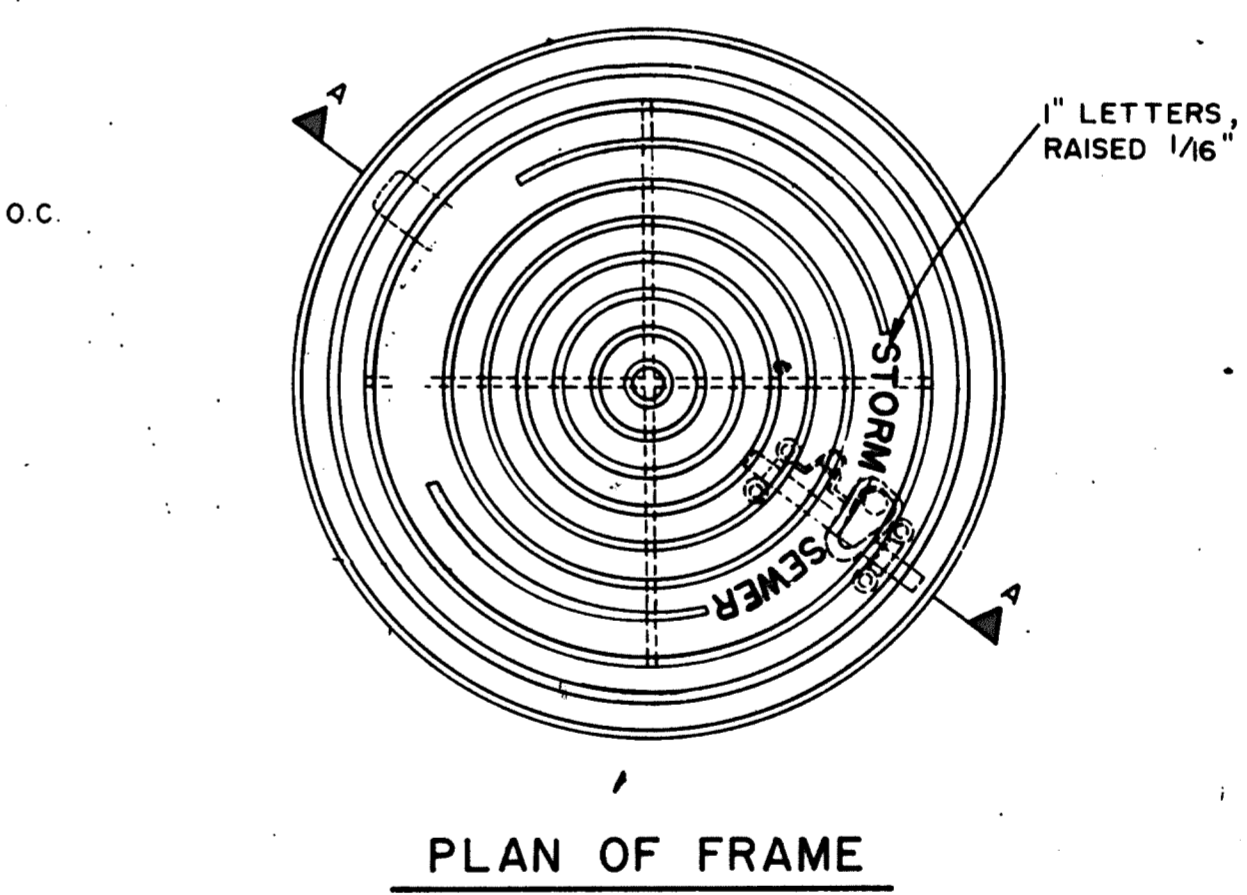


SECTION C-C

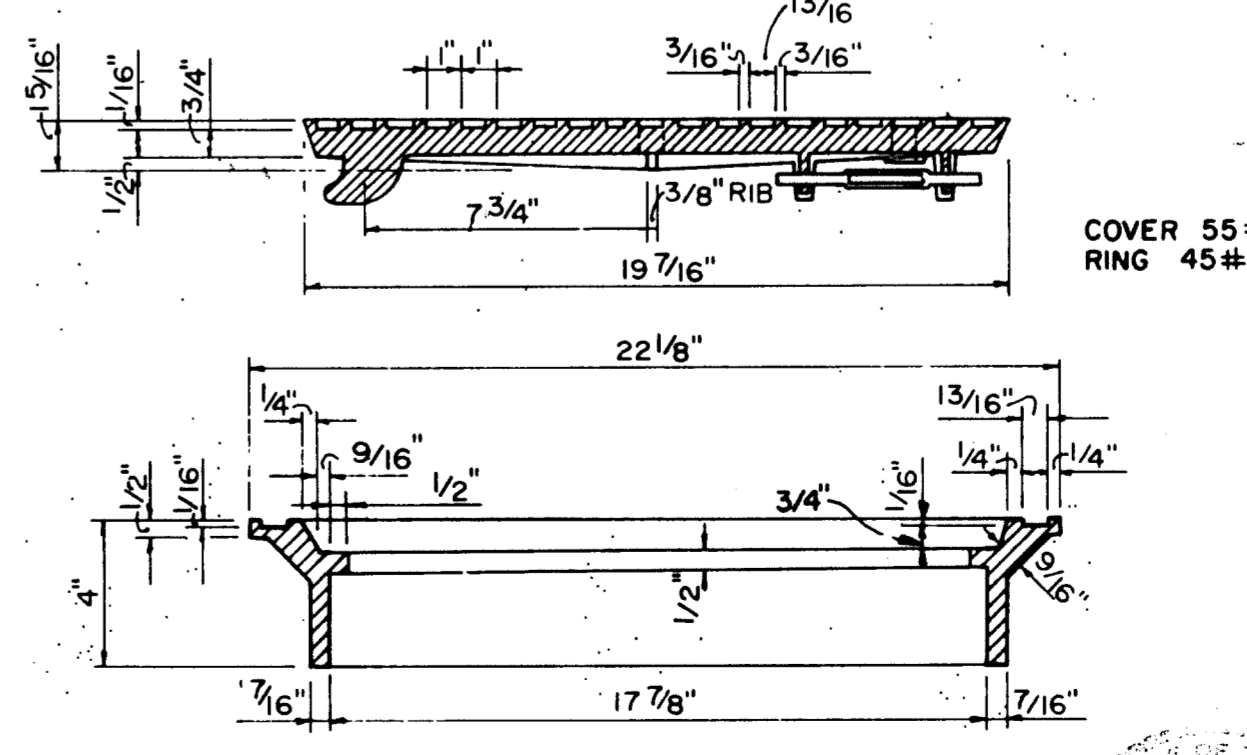
SECTION C-C



SECTION D-D FOR 12' & 14' ONLY

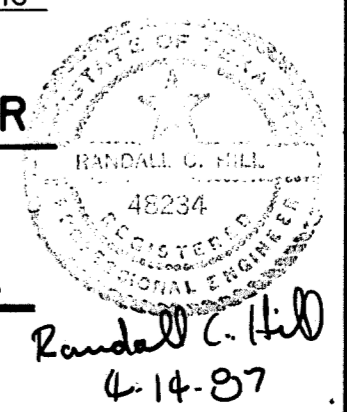


PLAN OF FRAME



SECTION OF FRAME AND COVER

INLET FRAME AND COVER



NO.	REVISION	BY	DATE

TOWN OF ADDISON, TEXAS
DEPARTMENT OF ENGINEERING

STANDARD CONSTRUCTION DETAILS
STORM DRAINAGE

CURB INLETS

APPROVED _____
H. WAYNE GINN, P.E.

DATE MARCH, 1984

SHEET 10 of 12