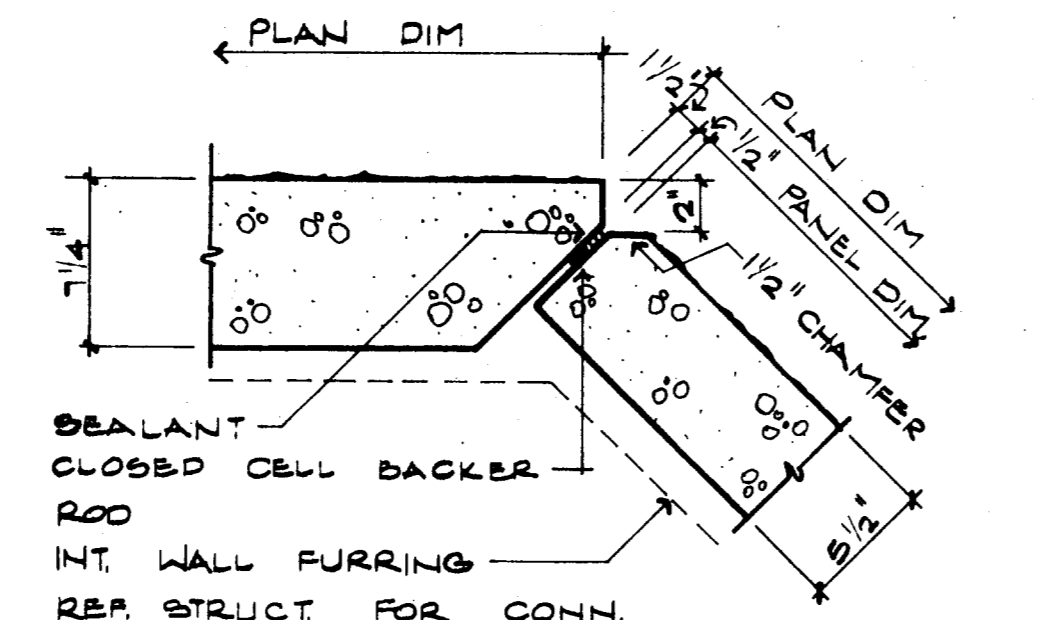
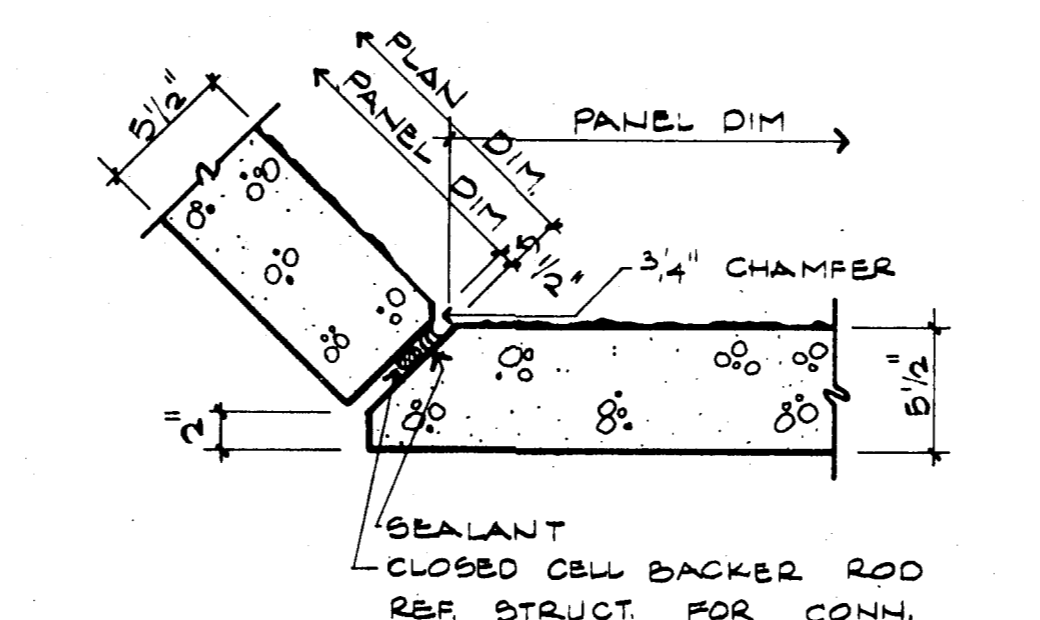


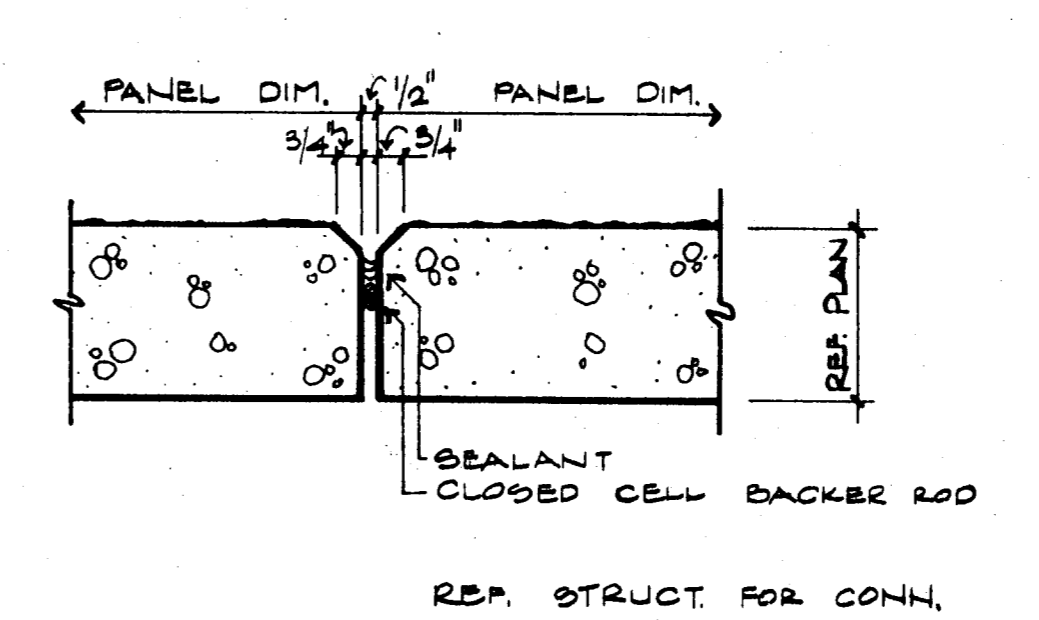
**01 JOINT DETAIL**  
SC: 1/2"=1'-0"



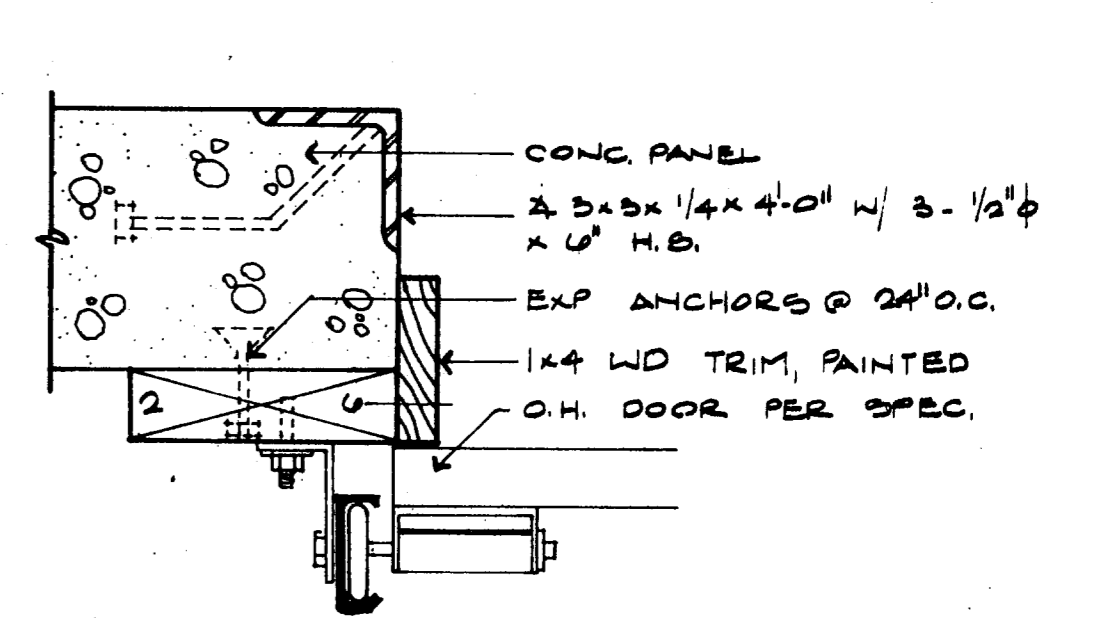
**02 JOINT DETAIL**  
SC: 1/2"=1'-0"



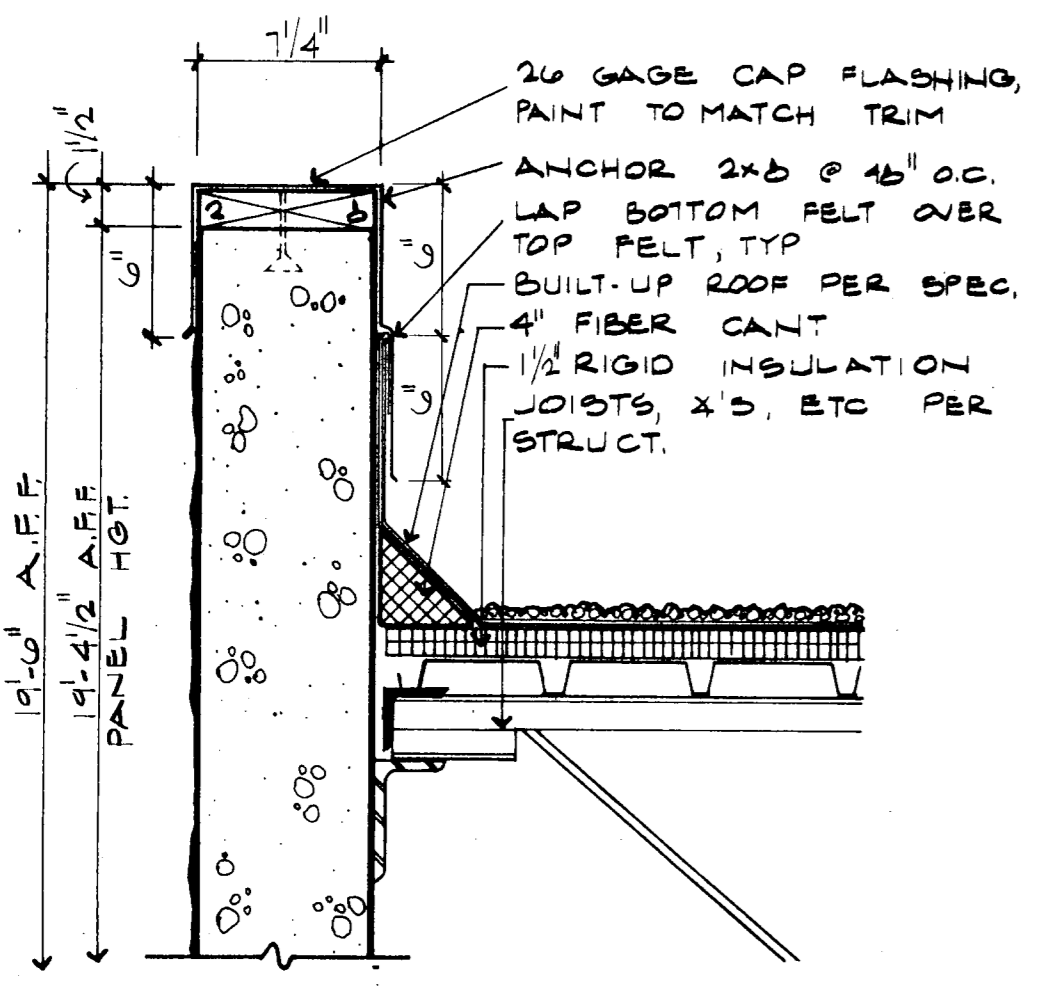
**03 JOINT DETAIL**  
SC: 1/2"=1'-0"



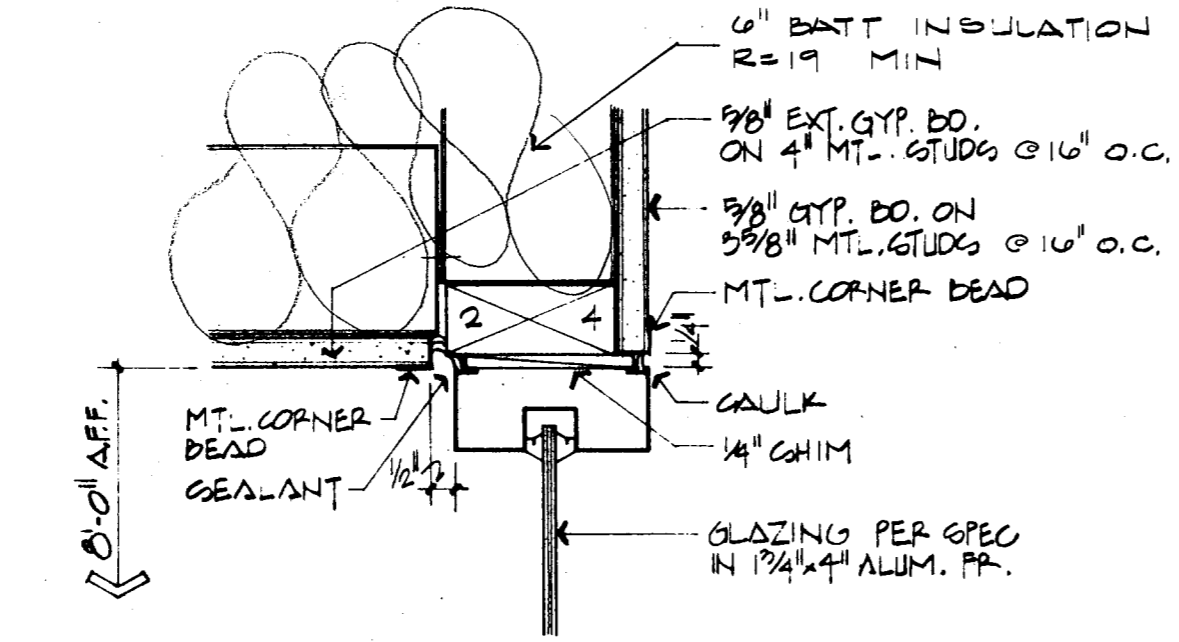
**04 JOINT DETAIL**  
SC: 1/2"=1'-0"



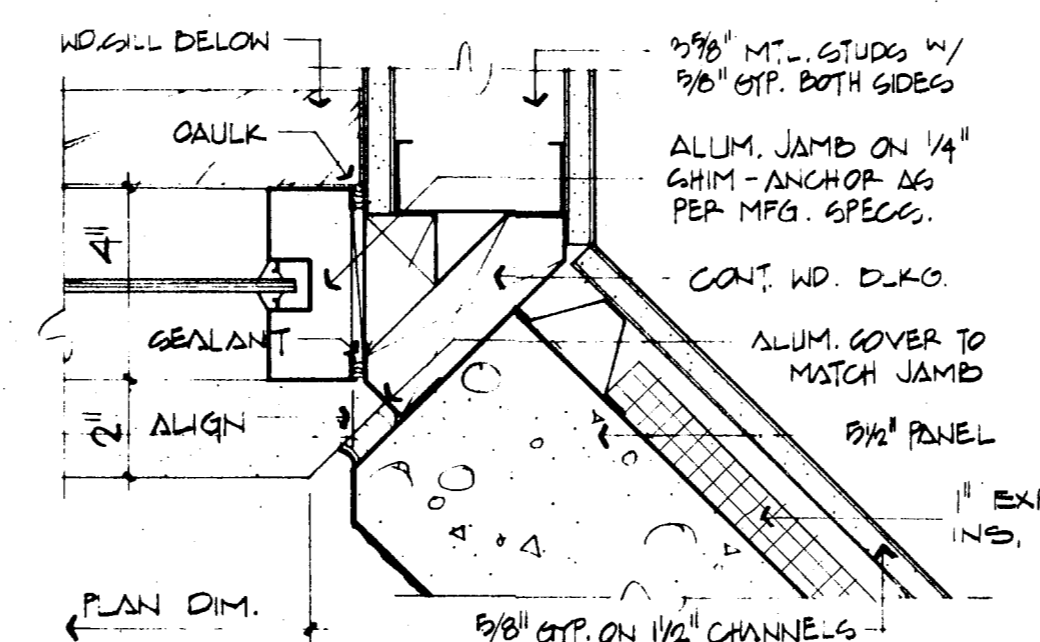
**05 DOOR JAMB**  
SC: 3/4"=1'-0"



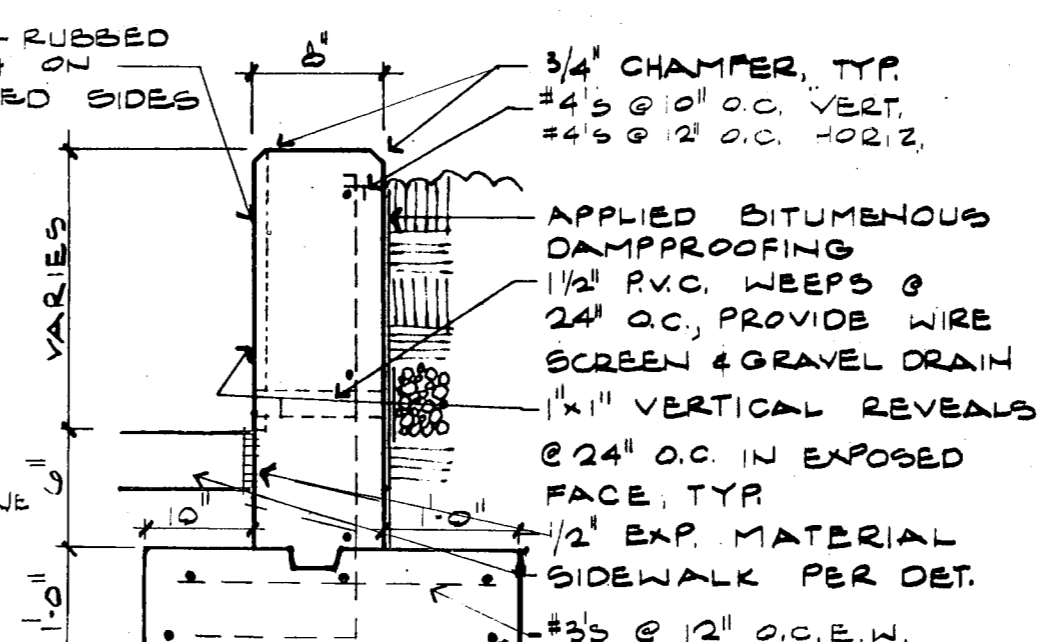
**10 FLASHING DETAIL**  
SC: 3/4"=1'-0"



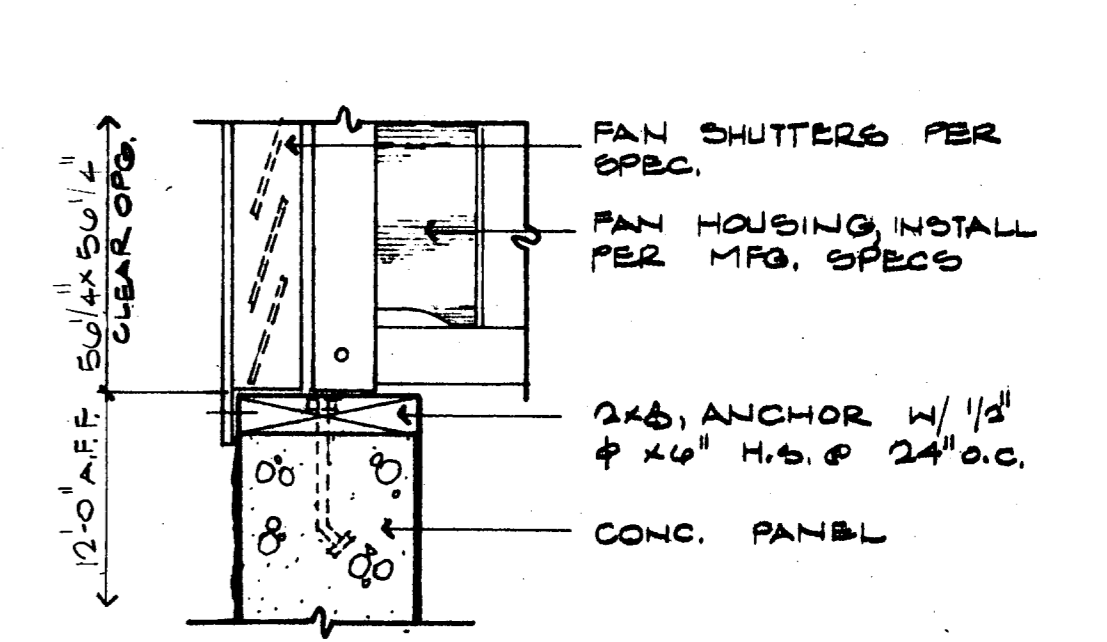
**06 HEAD DETAIL**  
SC: 3/4"=1'-0"



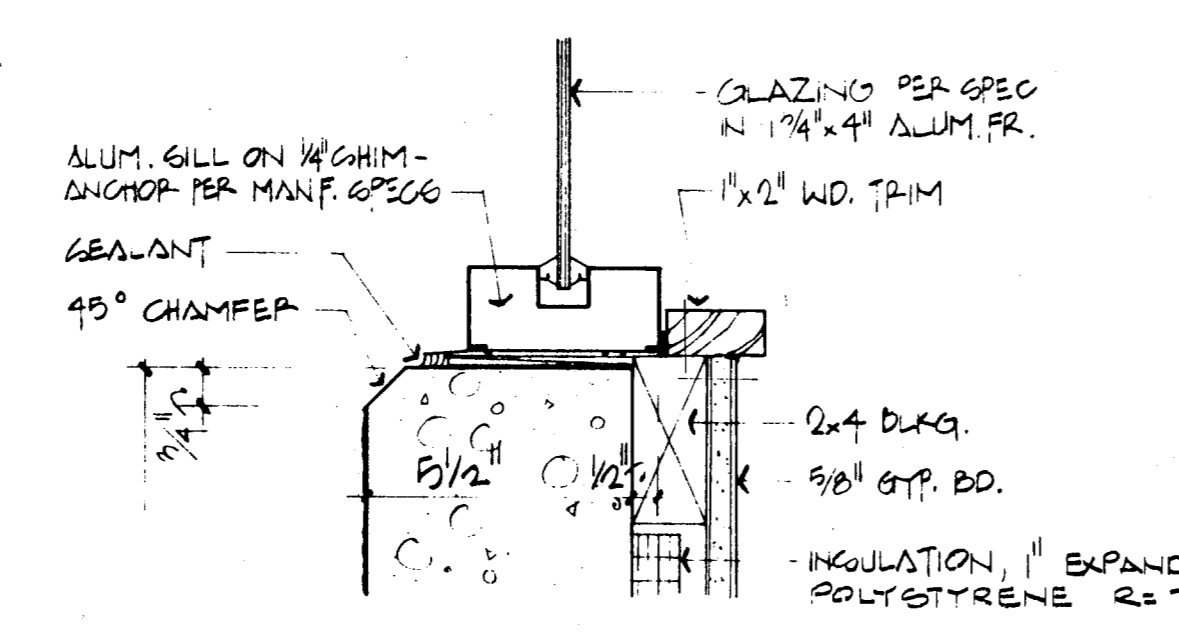
**07 JAMB DETAIL**  
SC: 3/4"=1'-0"



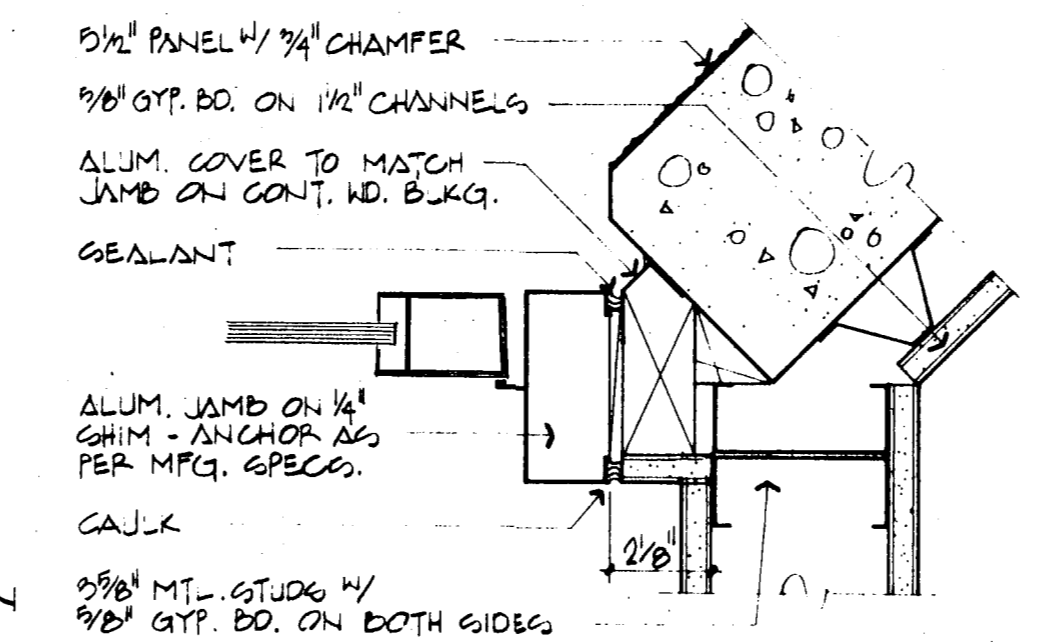
**08 RETAINING WALL**  
SC: NONE



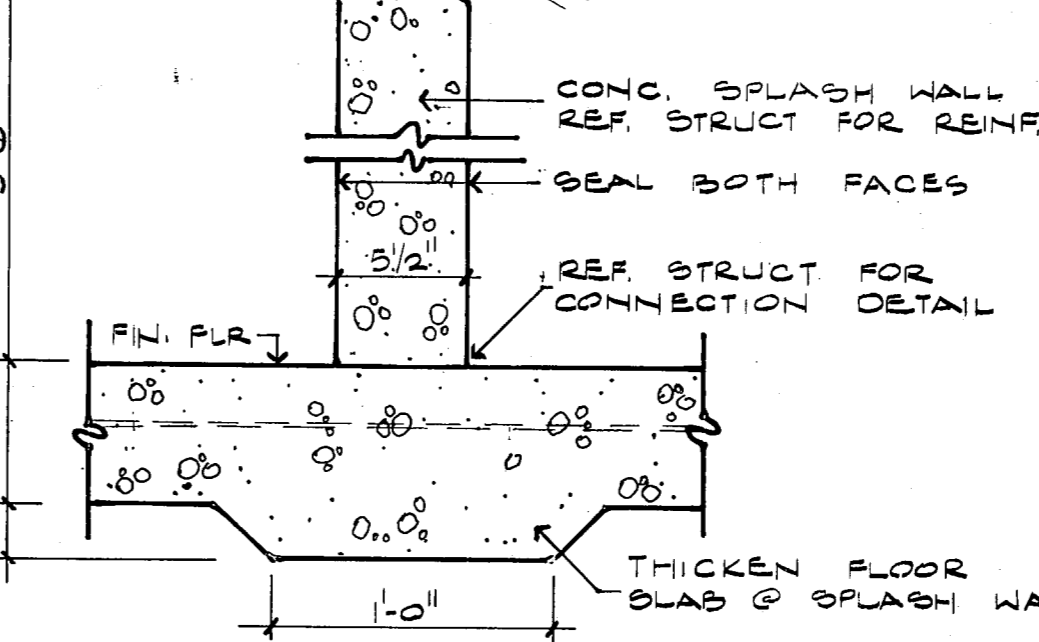
**09 EXHAUST FAN**  
SC: 3/4"=1'-0"



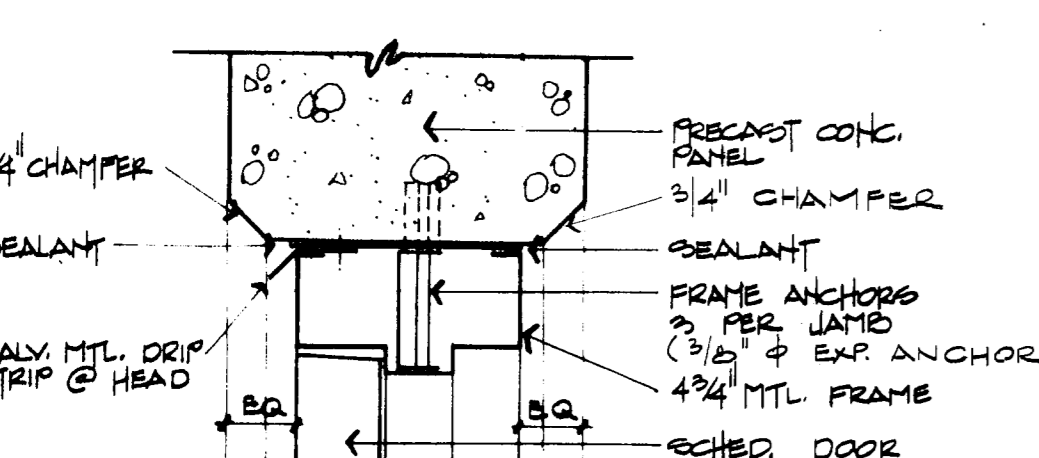
**11 SILL DETAIL**  
SC: 3/4"=1'-0"



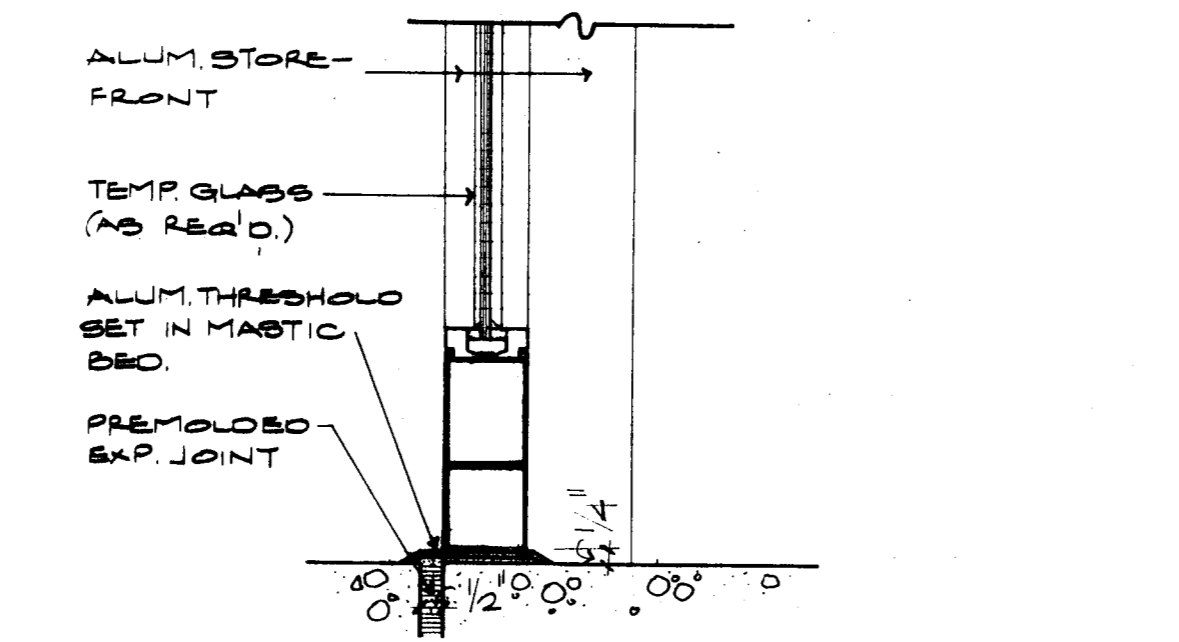
**12 JAMB DETAIL**  
SC: 3/4"=1'-0"



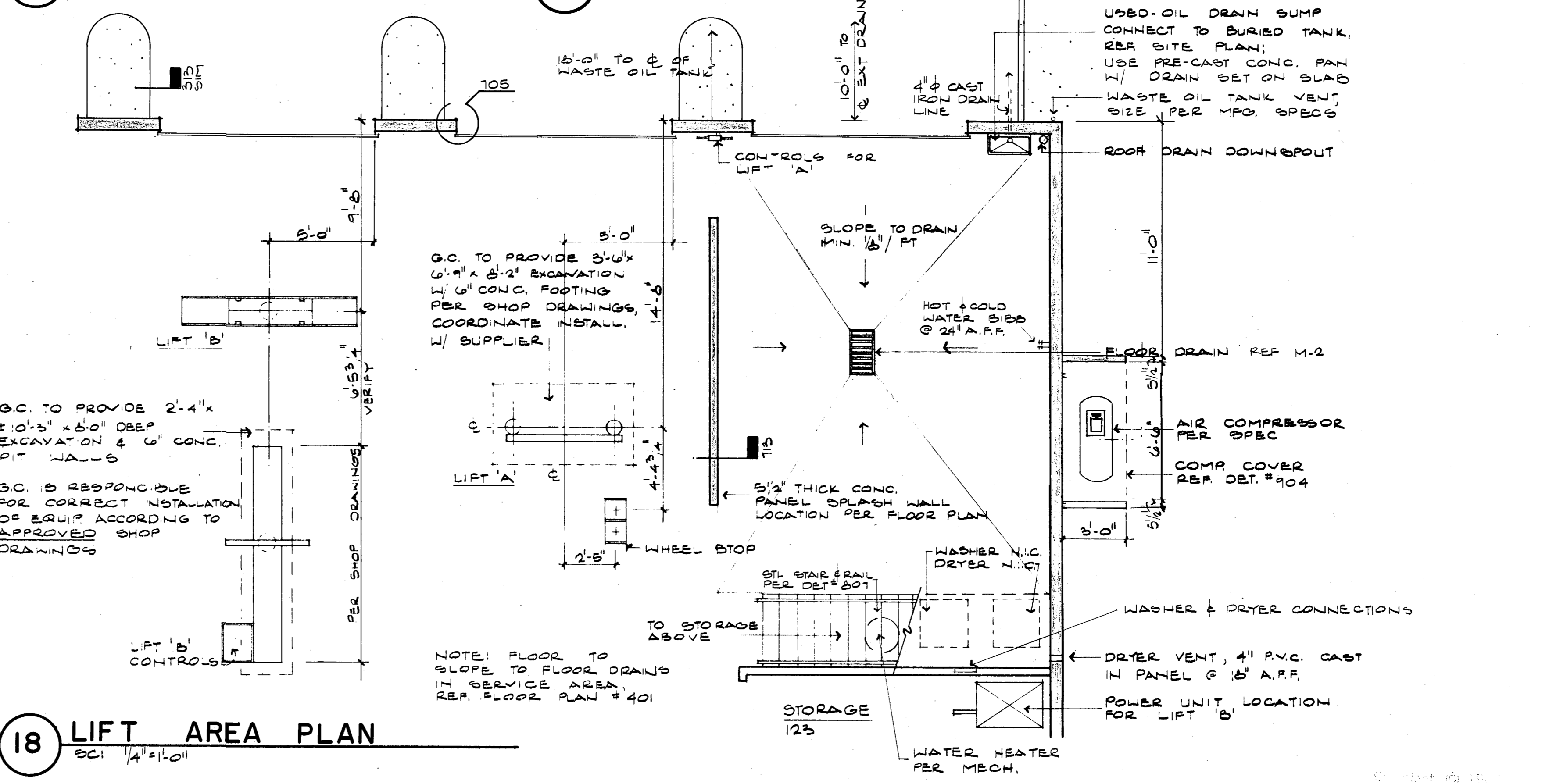
**13 SPLASH WALL**  
SC: 1/2"=1'-0"



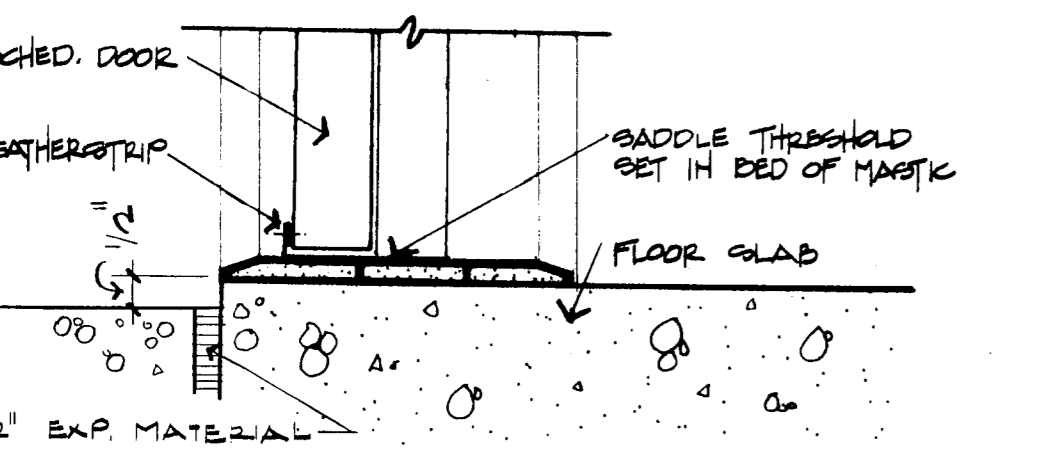
**14 HEAD - JAMB SIMILAR**  
SCALE: 3/4"=1'-0"



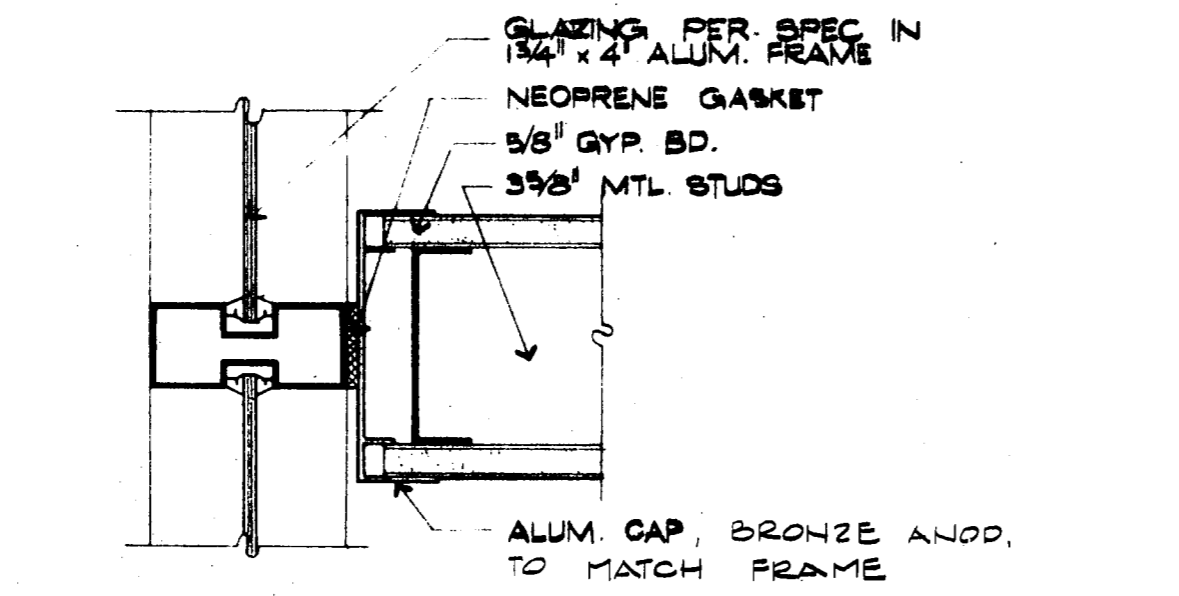
**15 SILL DETAIL**  
SC: 3/4"=1'-0"



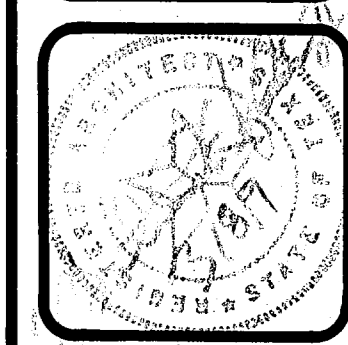
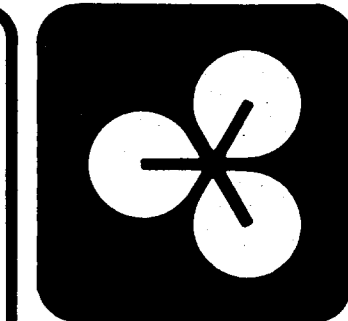
**18 LIFT AREA PLAN**  
SC: 1/4"=1'-0"



**16 DOOR SILL DETAIL**  
SCALE: 3/4"=1'-0"



**17 MULLION DETAIL**  
SC: 3/4"=1'-0"



**EDI CAPE HOPKINS CLEMENT, INC.**  
PLANNING ARCHITECTURE INTERIOR DESIGN  
TWO NORTH PARK EAST, 120 DALLAS 214/750-1945  
AMERICAN INSTITUTE OF ARCHITECTS AMER SOC CONSULTING PLANNERS

**City of Addison**  
**PUBLIC WORKS SERVICE CENTER**  
Dooley Road  
Addison Texas

ISSUE DATE  
6/12/80  
REVISIONS

SHEET NUMBER  
**7**