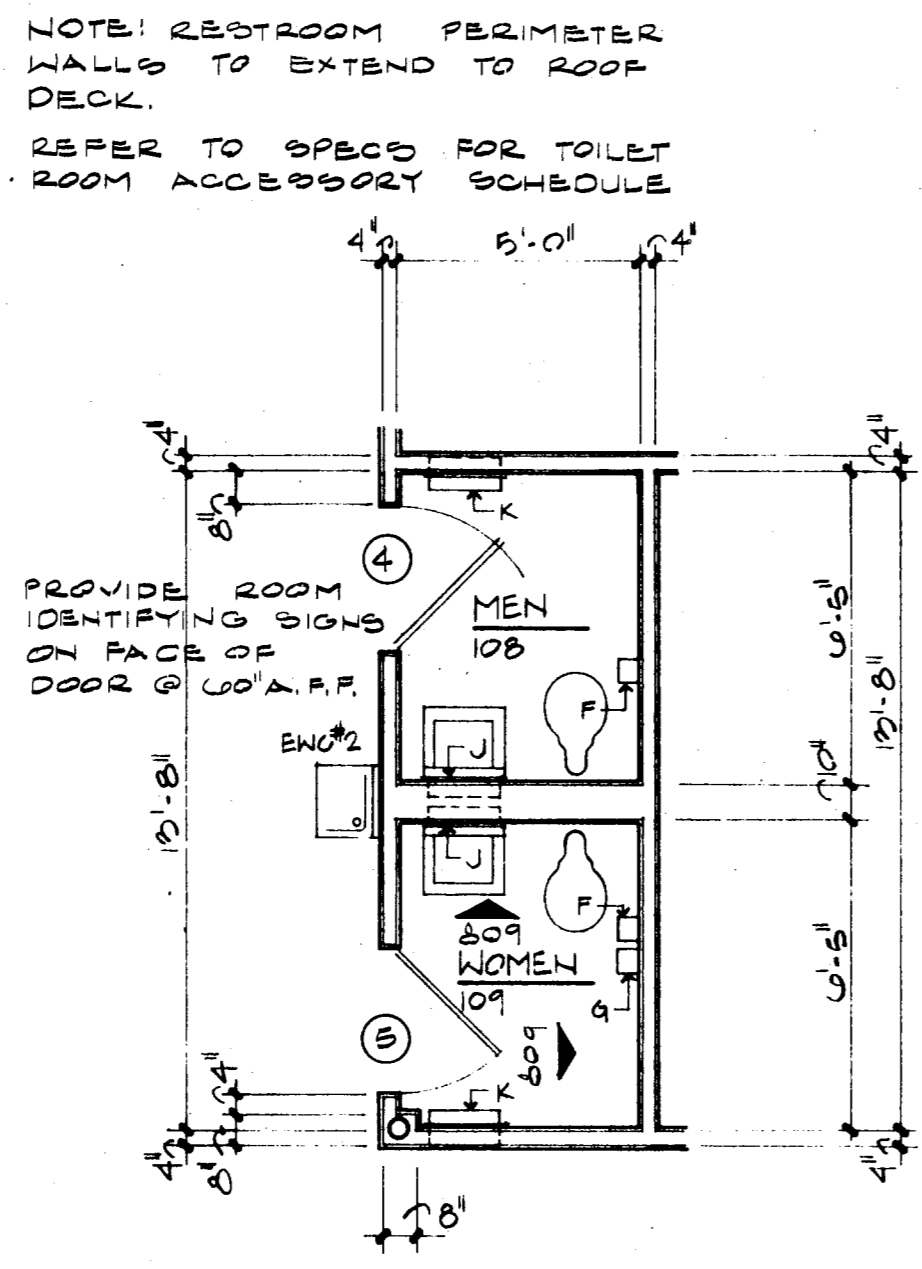
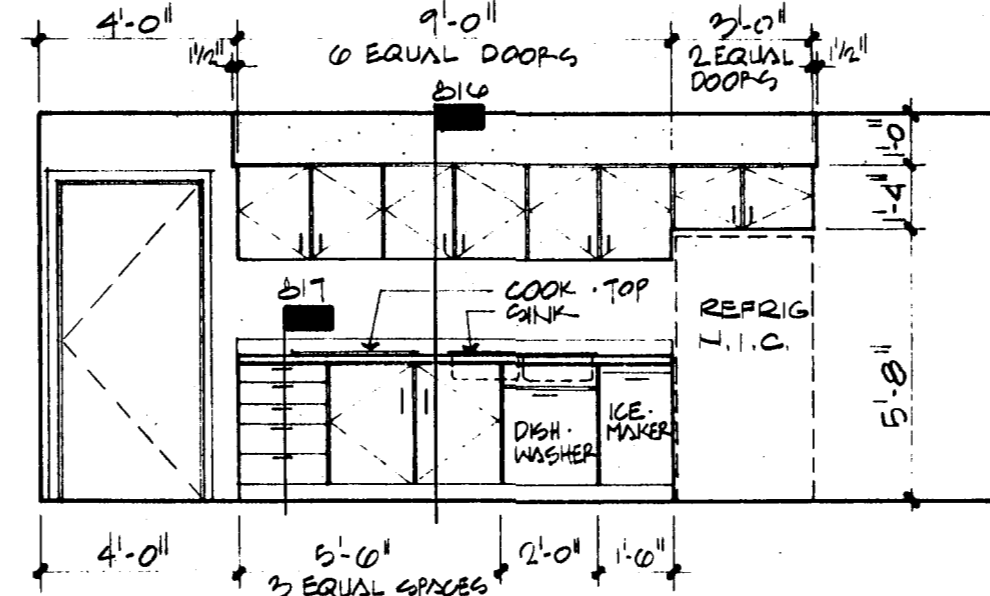


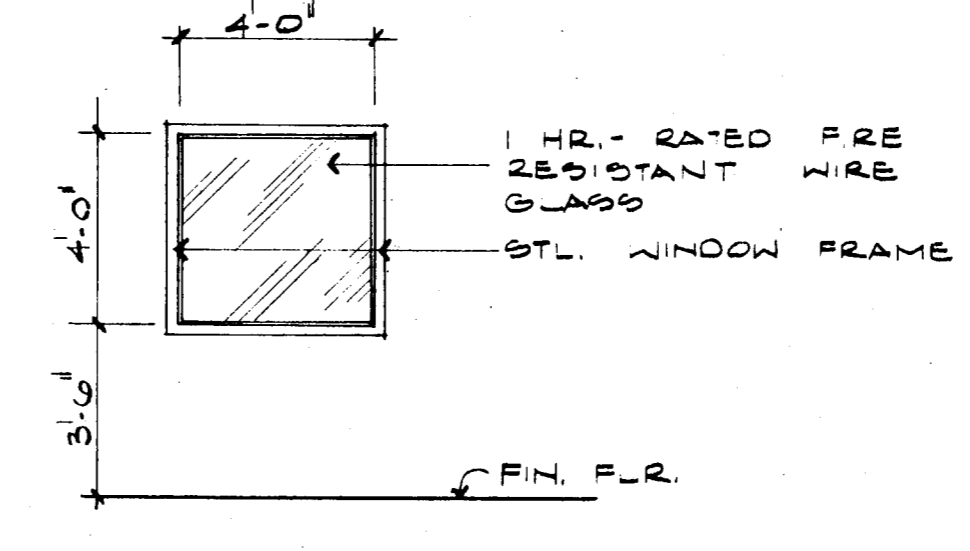
01 RESTROOM PLAN
SC: 1/4"=1'-0"



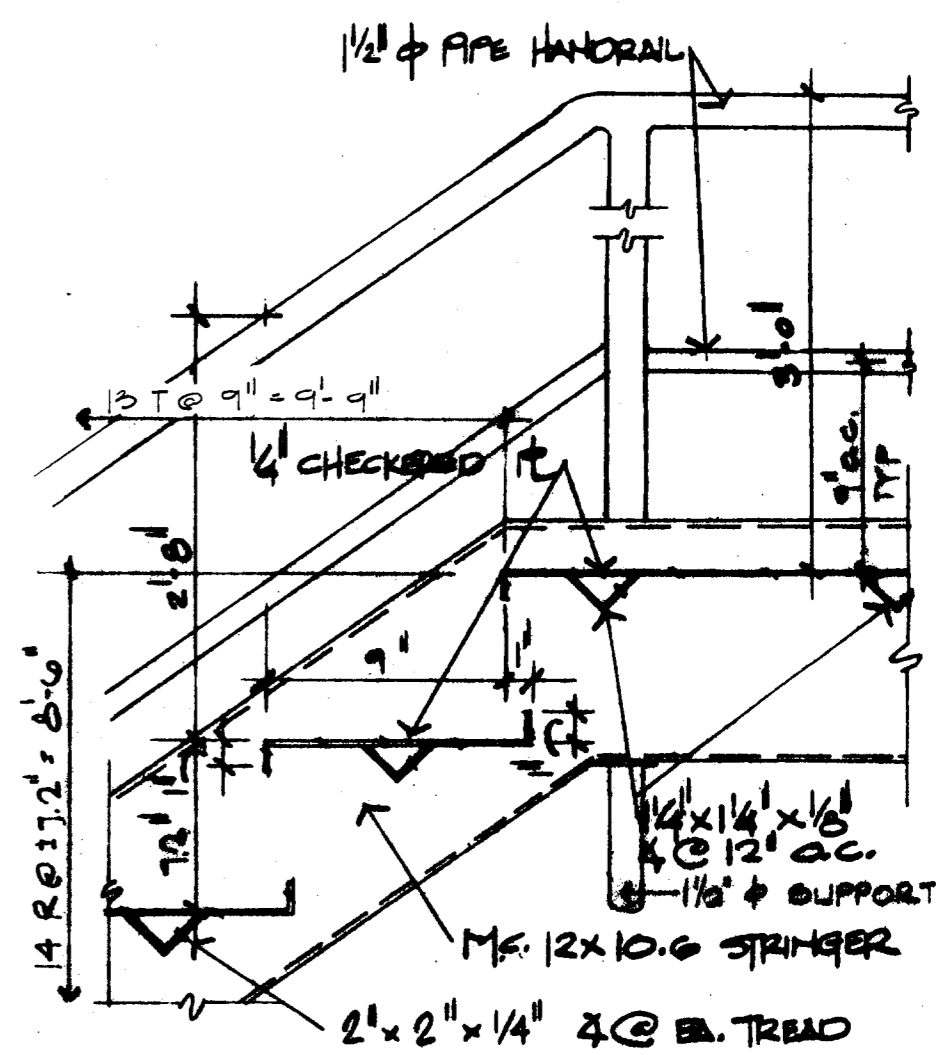
02 RESTROOM PLAN
SC: 1/4"=1'-0"



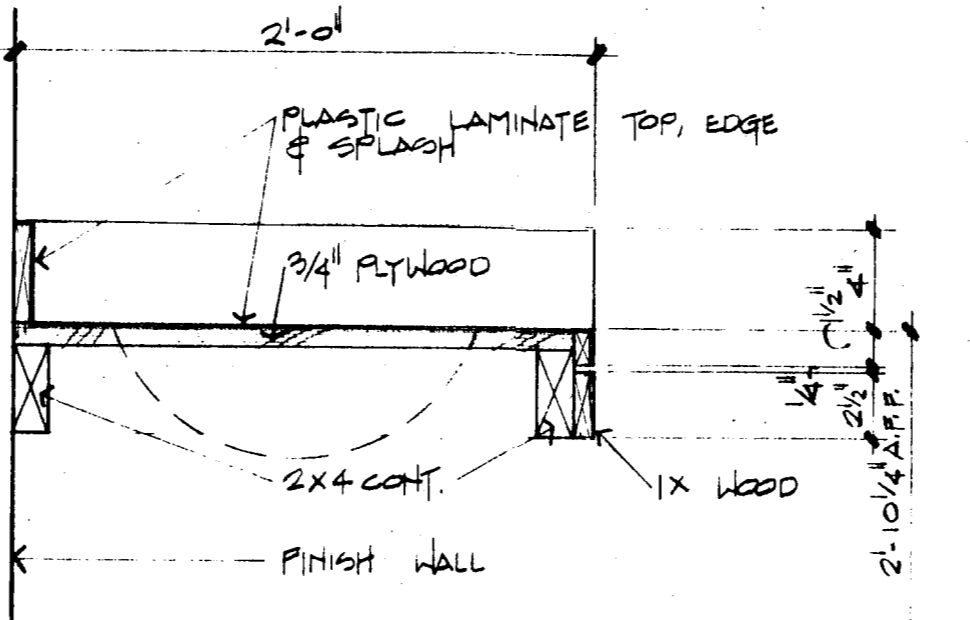
03 KITCHEN ELEVATION
SC: 1/4"=1'-0"



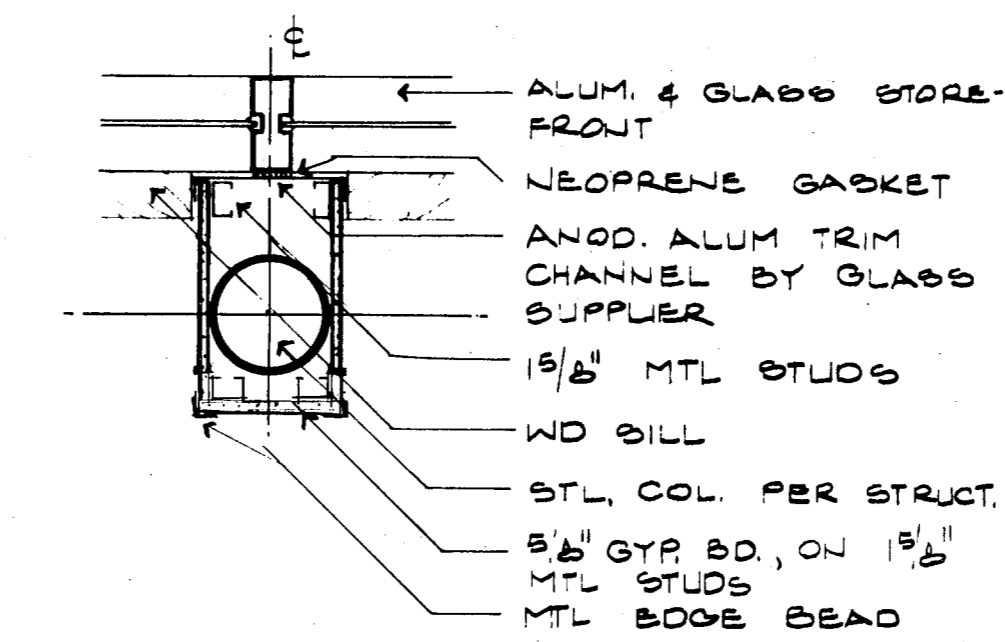
04 WINDOW ELEVATION
SC: 1/4"=1'-0"



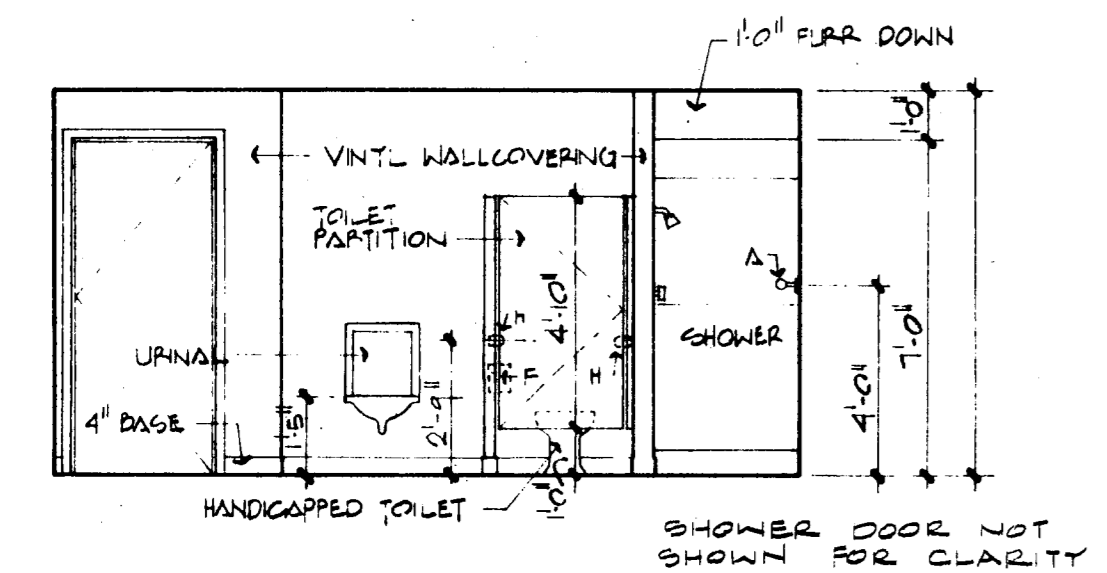
07 STEEL STAIR
SCALE: N.T.S.



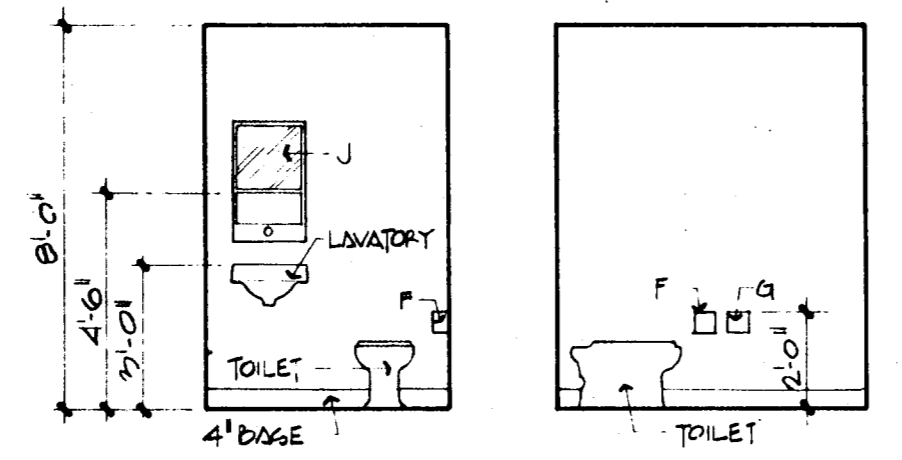
05 COUNTER DETAIL
SC: 1/2"=1'-0"



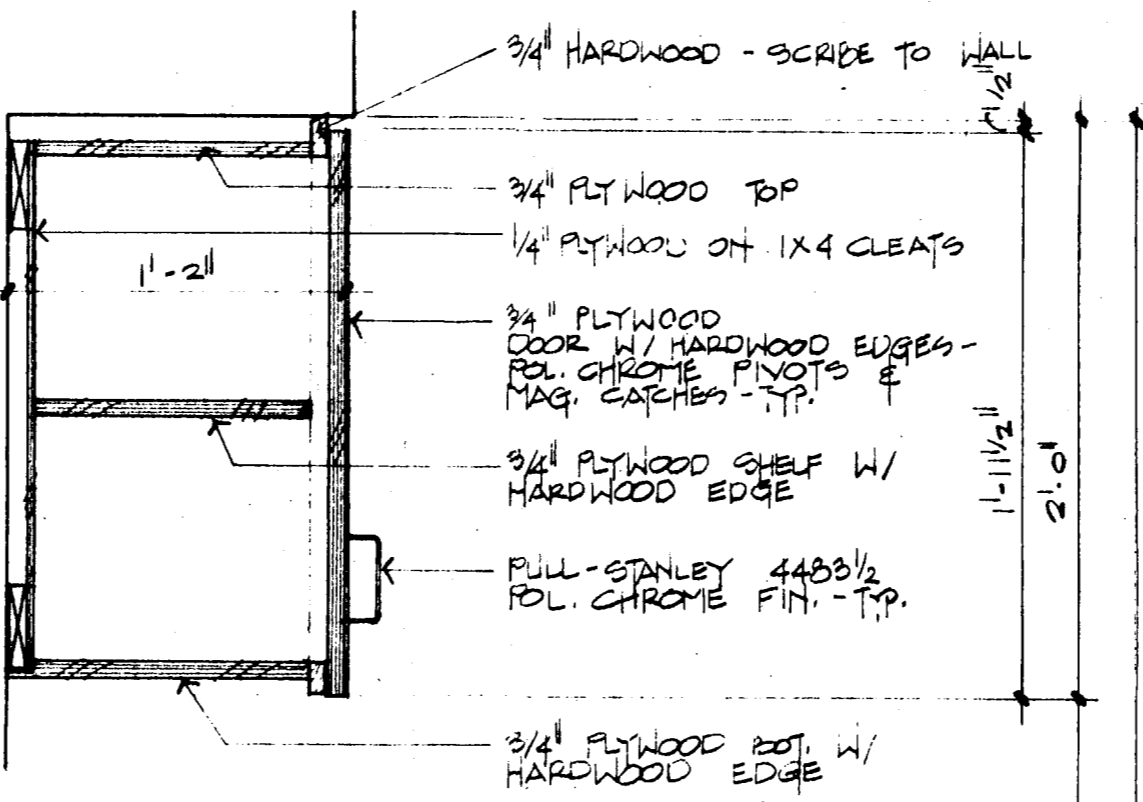
06 COLUMN DETAIL
SC: 1/2"=1'-0"



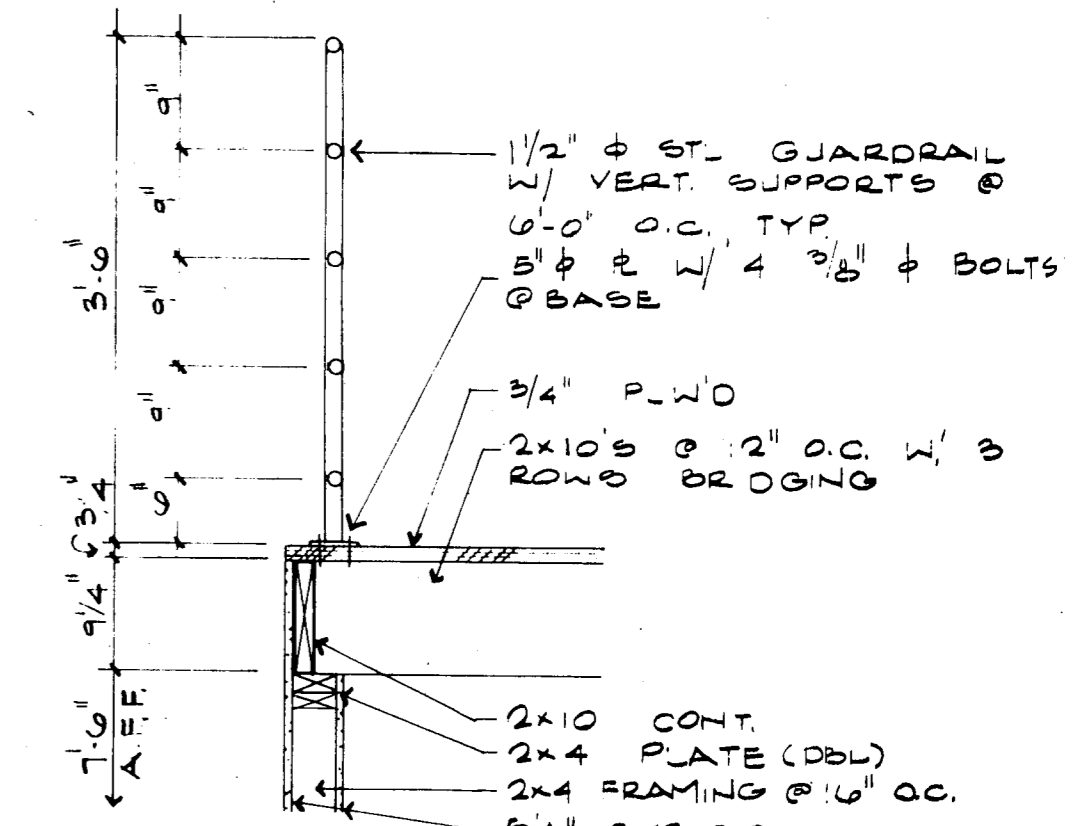
08 ELEVATION
SC: 1/4"=1'-0"



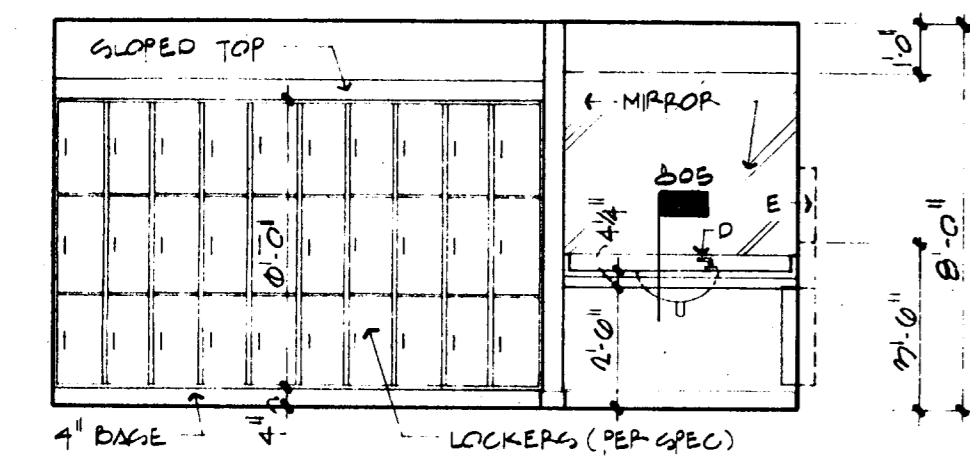
09 ELEVATIONS
SC: 1/4"=1'-0"



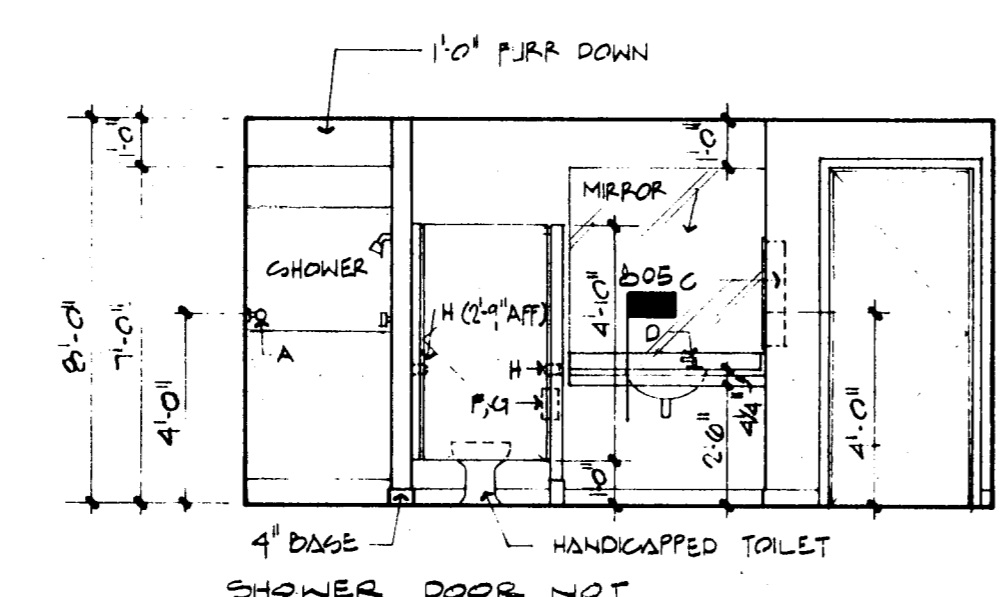
10 COLUMN DETAIL
SC: 1/2"=1'-0"



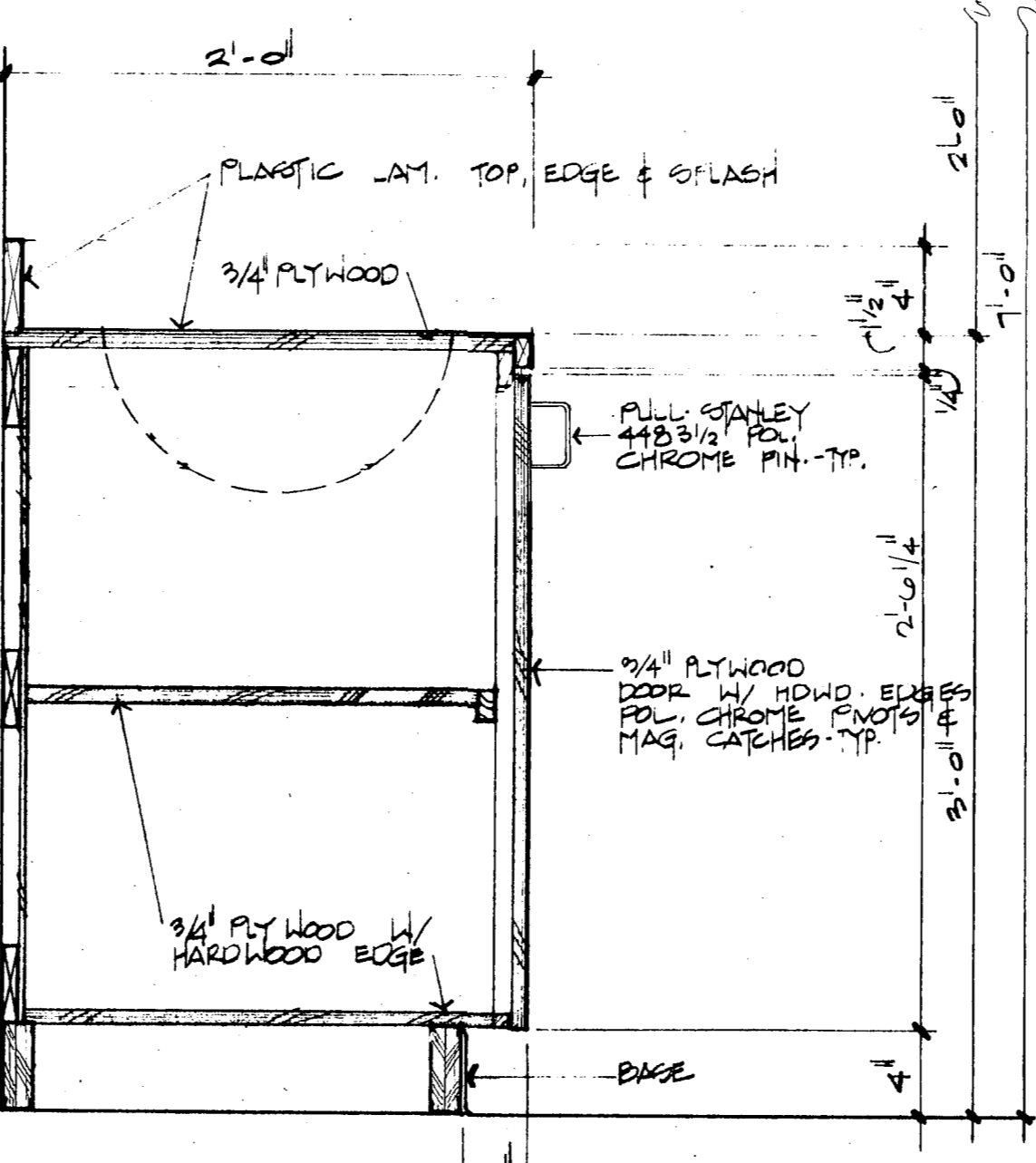
11 GUARDRAIL DETAIL
SC: 3/4"=1'-0"



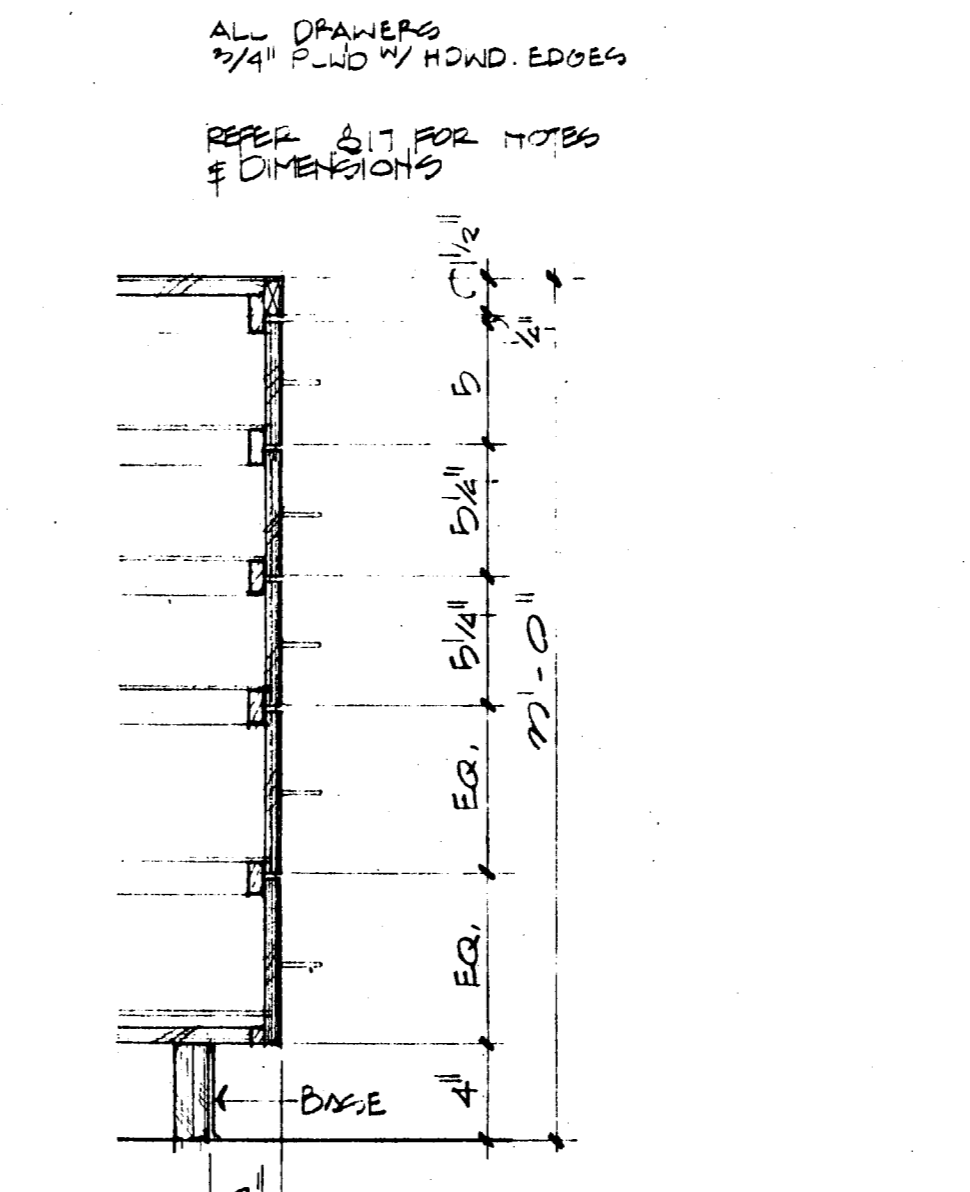
12 ELEVATION
SC: 1/4"=1'-0"



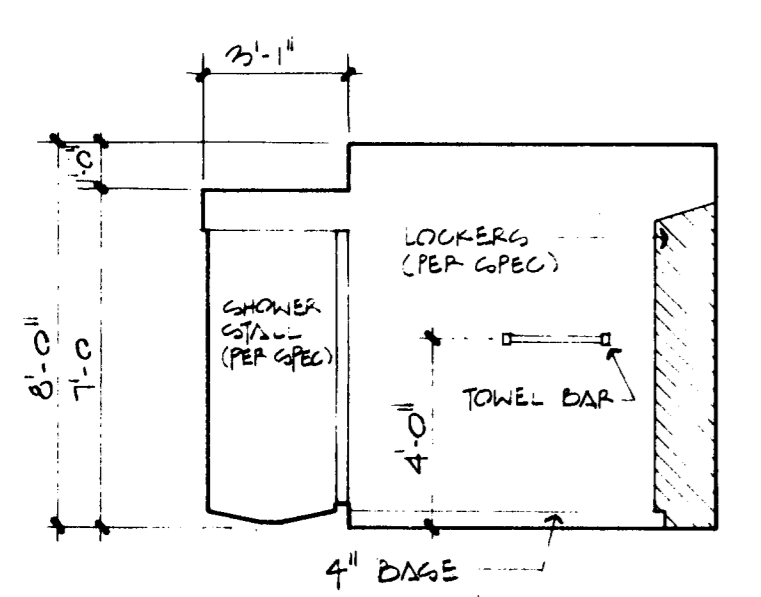
13 ELEVATION
SC: 1/4"=1'-0"



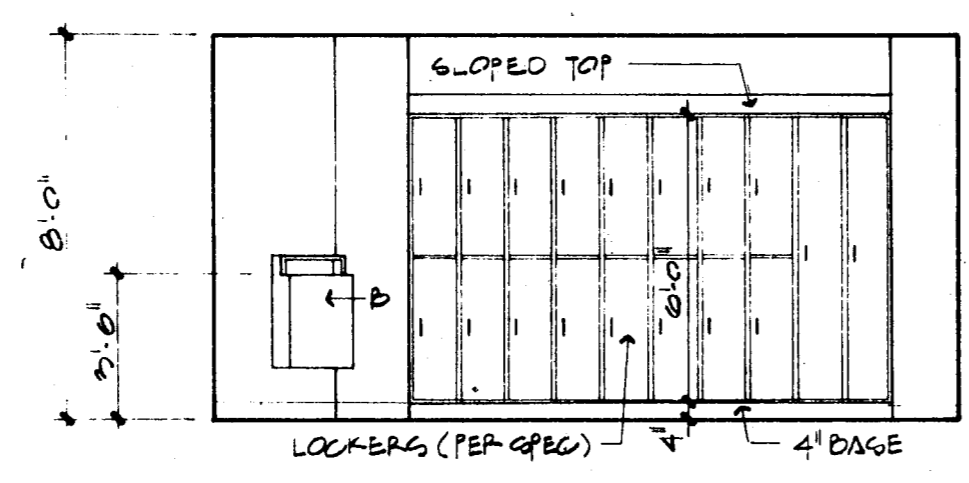
16 CABINET SECTION
SC: 1/2"=1'-0"



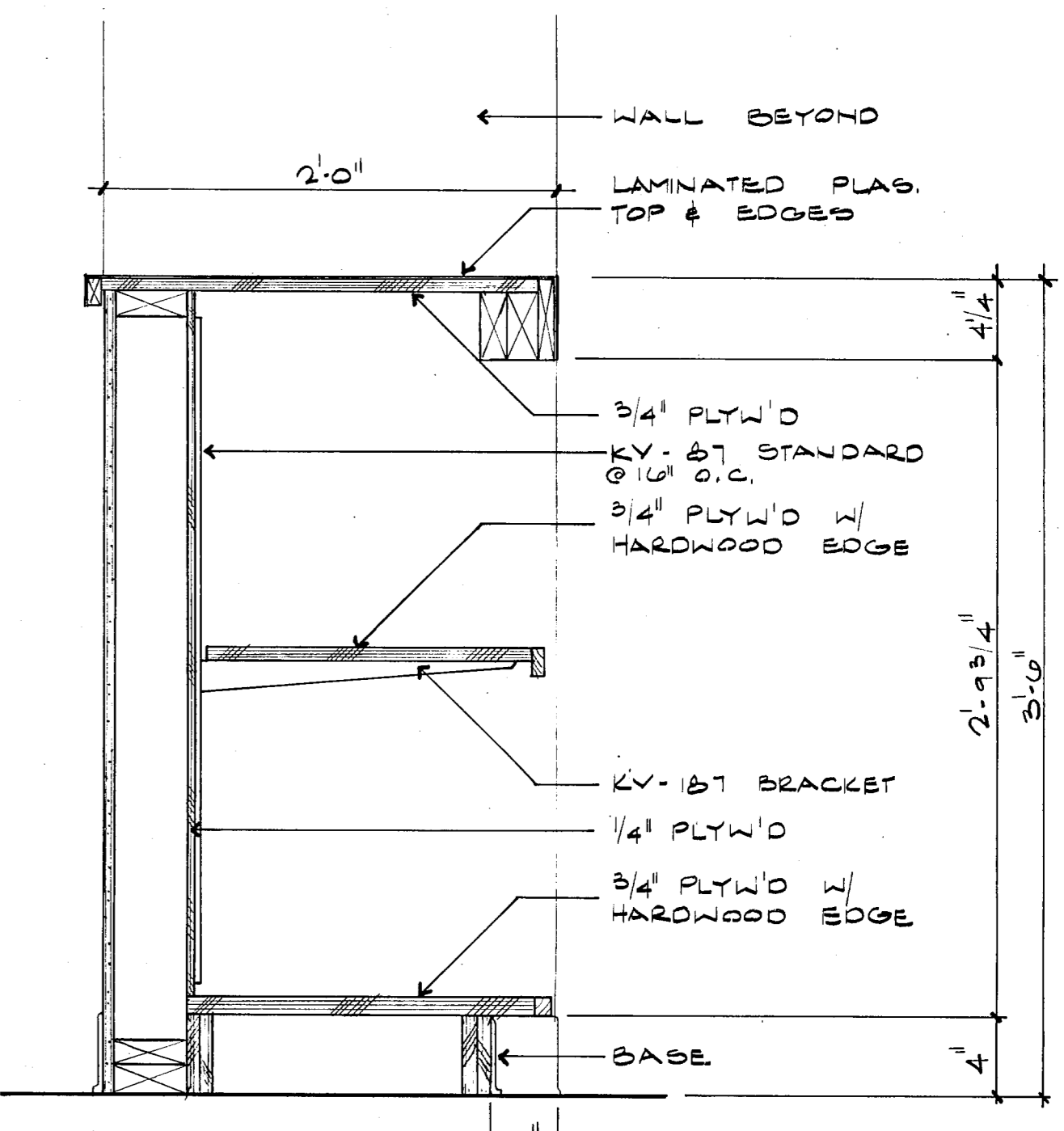
17 DRAWER DETAIL
SC: 1/2"=1'-0"



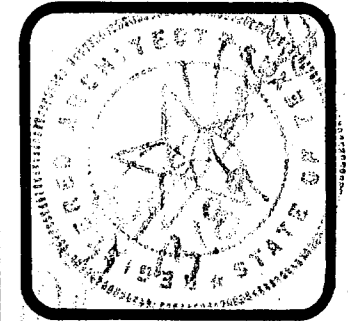
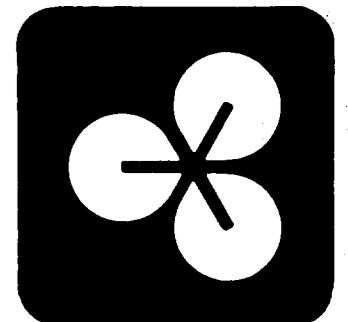
14 ELEVATION
SC: 1/4"=1'-0"



15 ELEVATION
SC: 1/4"=1'-0"



18 COUNTER SECTION
SC: 1/2"=1'-0"



EDI CAPE HOPKINS CLEMENT, INC.
PLANNING ARCHITECTURE INTERIOR DESIGN
TWO NORTHPARK EAST, 120 · DALLAS · 214/750-1945
AMERICAN INSTITUTE OF ARCHITECTS · AMER SOC CONSULTING PLANNERS

City of Addison
PUBLIC WORKS SERVICE CENTER
Dooley Road
Addison Texas

ISSUE DATE	6/12/65
REVISIONS	

SHEET NUMBER
8
#2000.00