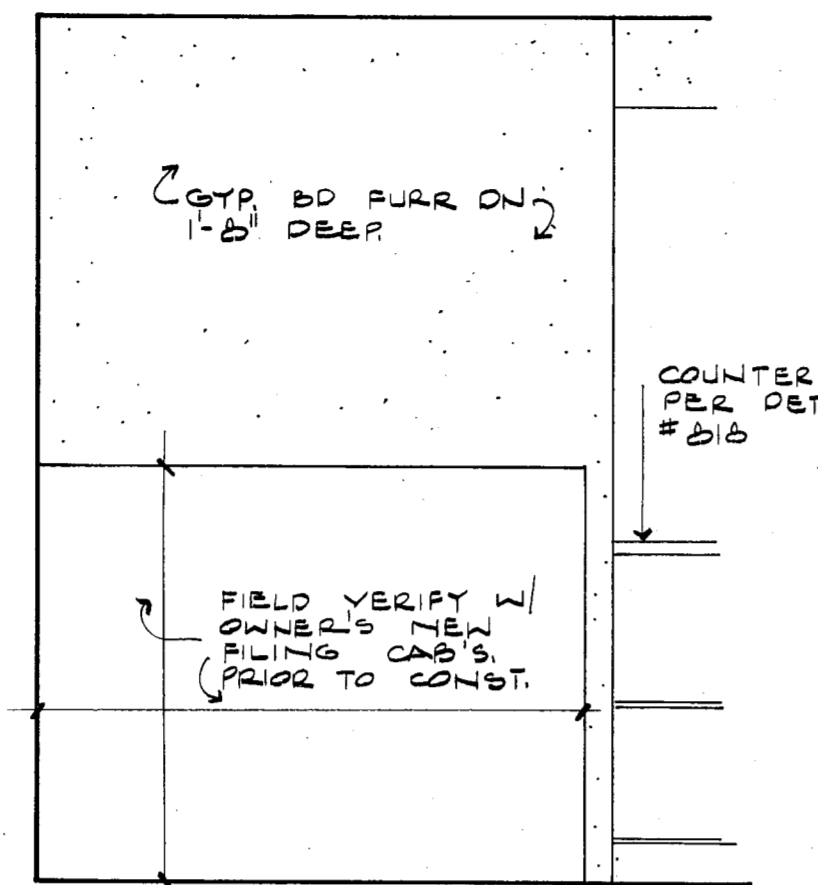
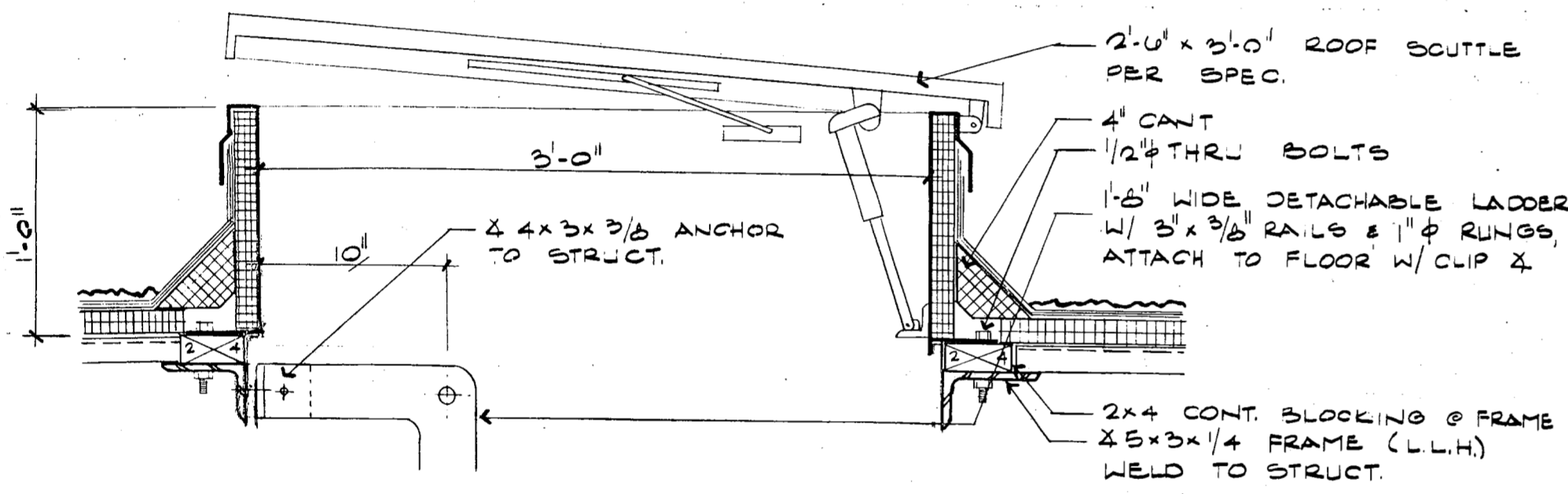


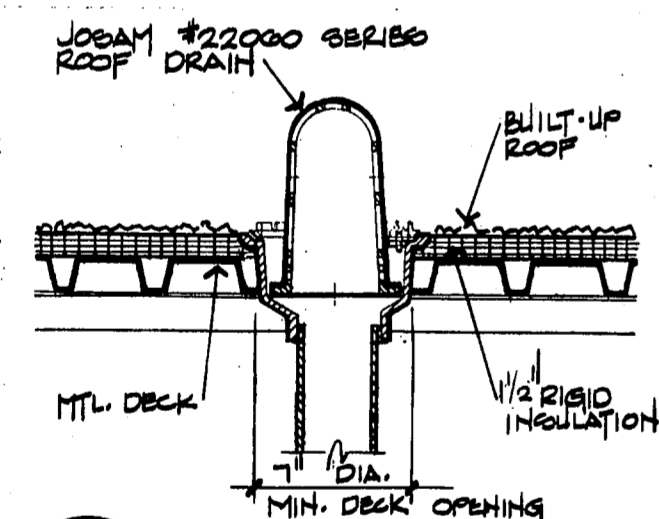
10 CABINET ELEVATION
SC: 1/2" = 1'-0"



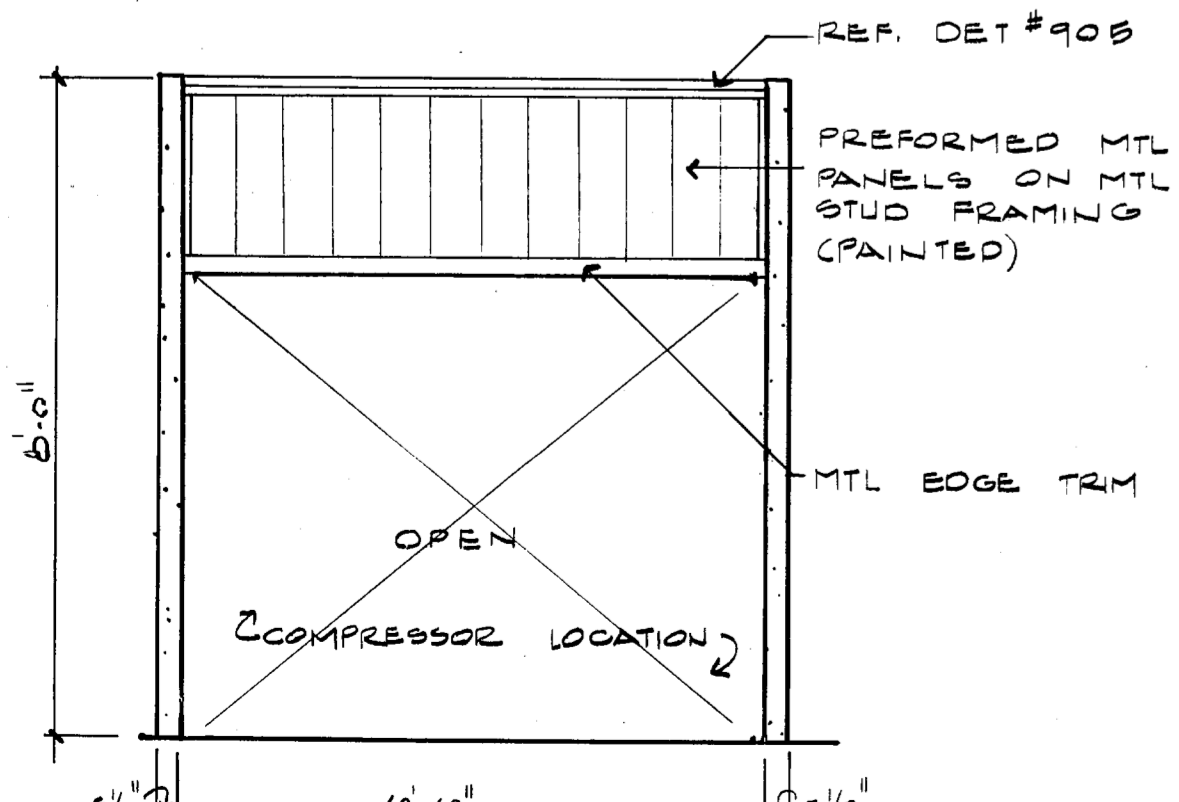
11 FURR DOWN



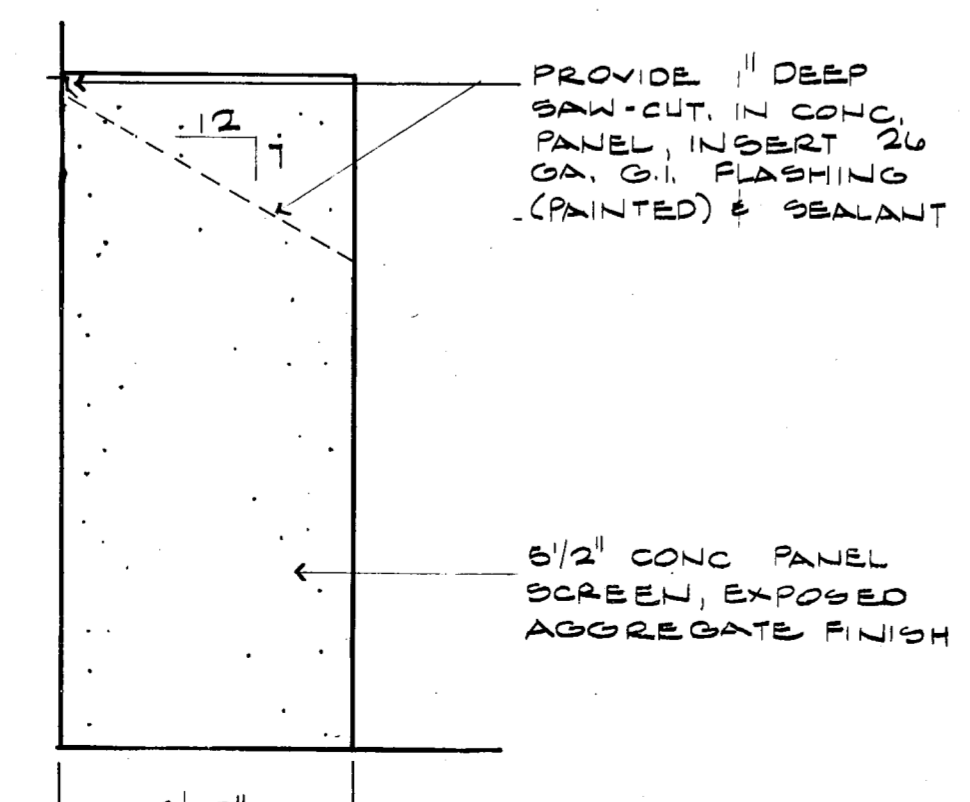
09 ROOF SCUTTLE
SC: 1/2" = 1'-0"



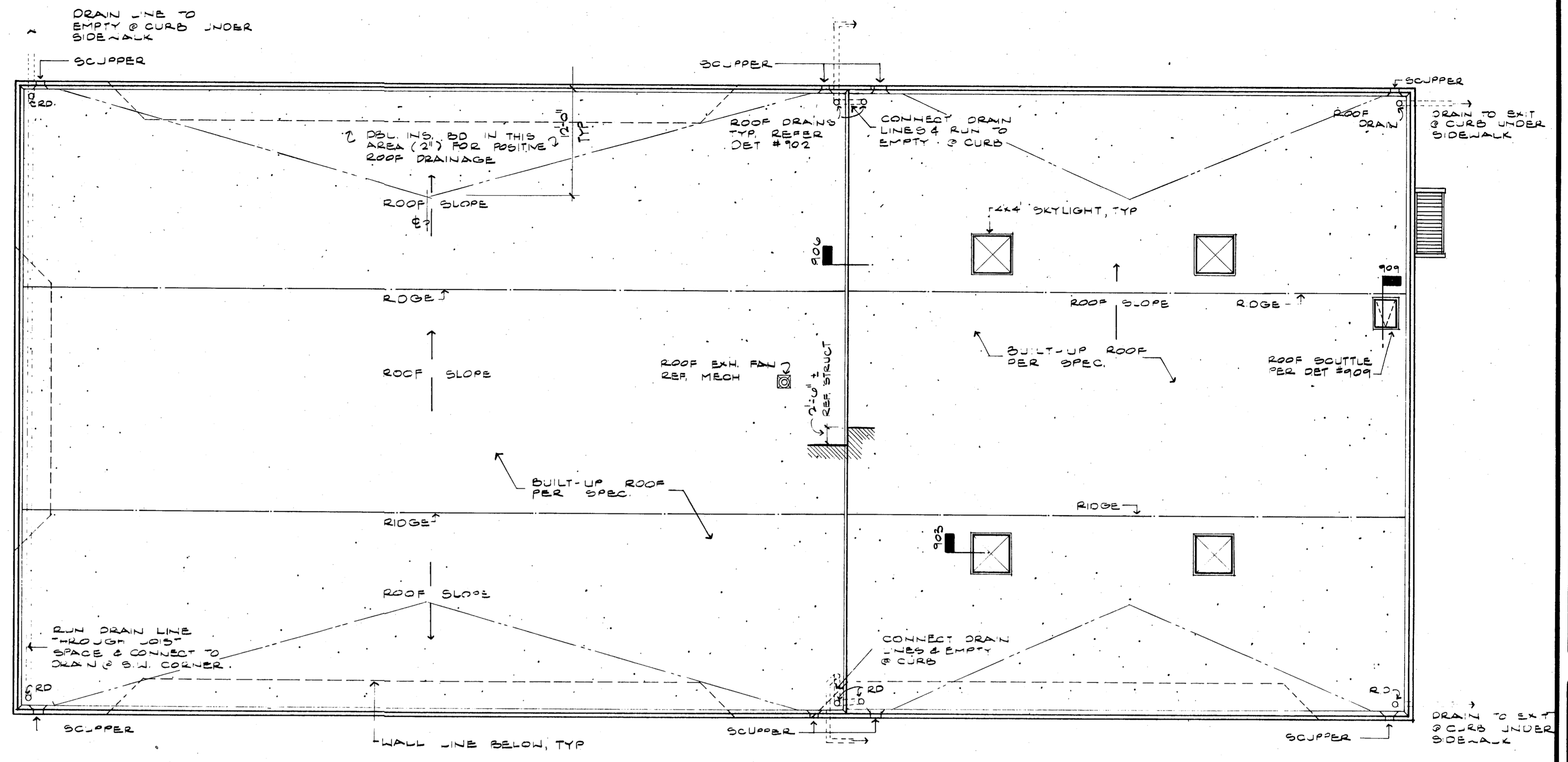
02 ROOF DRAIN
SCALE: 1/2" = 1'-0"



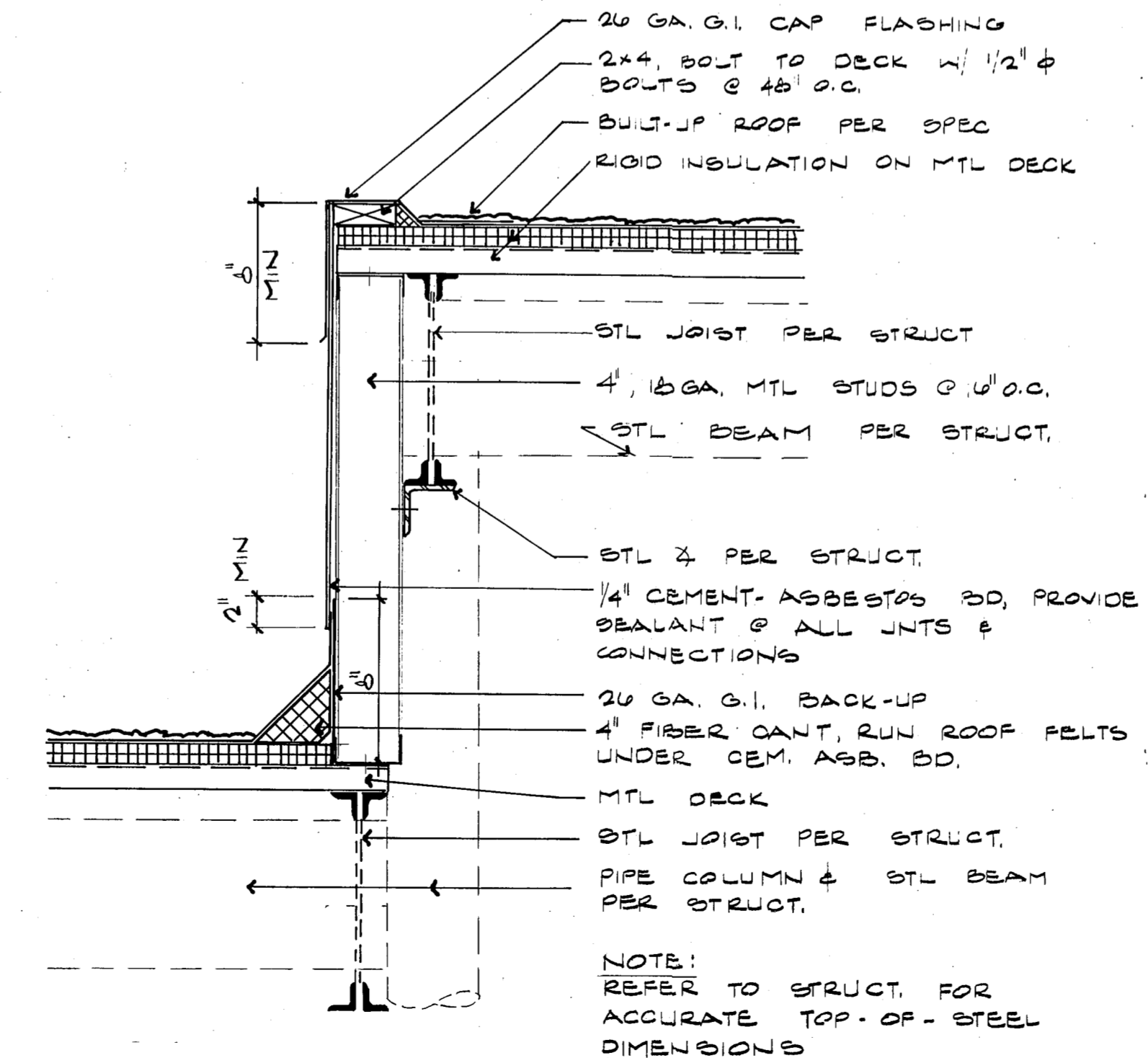
04 COVER ELEVATION
SC: N.T.S.



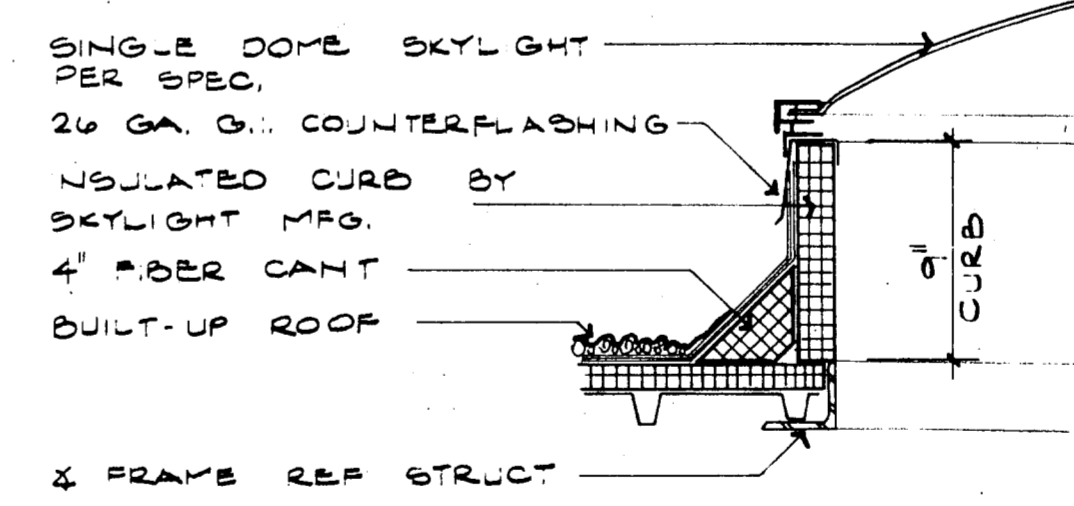
05 COVER ELEVATION
SC: N.T.S.



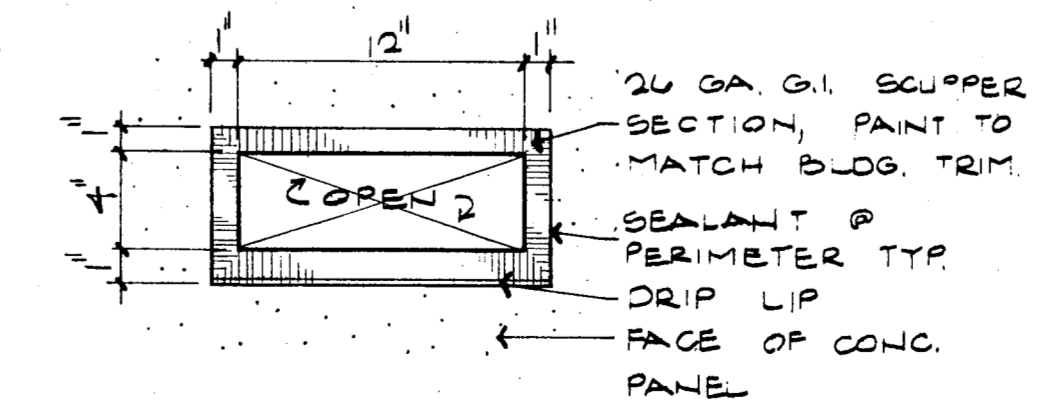
01 ROOF PLAN
SC: 1/2" = 1'-0"



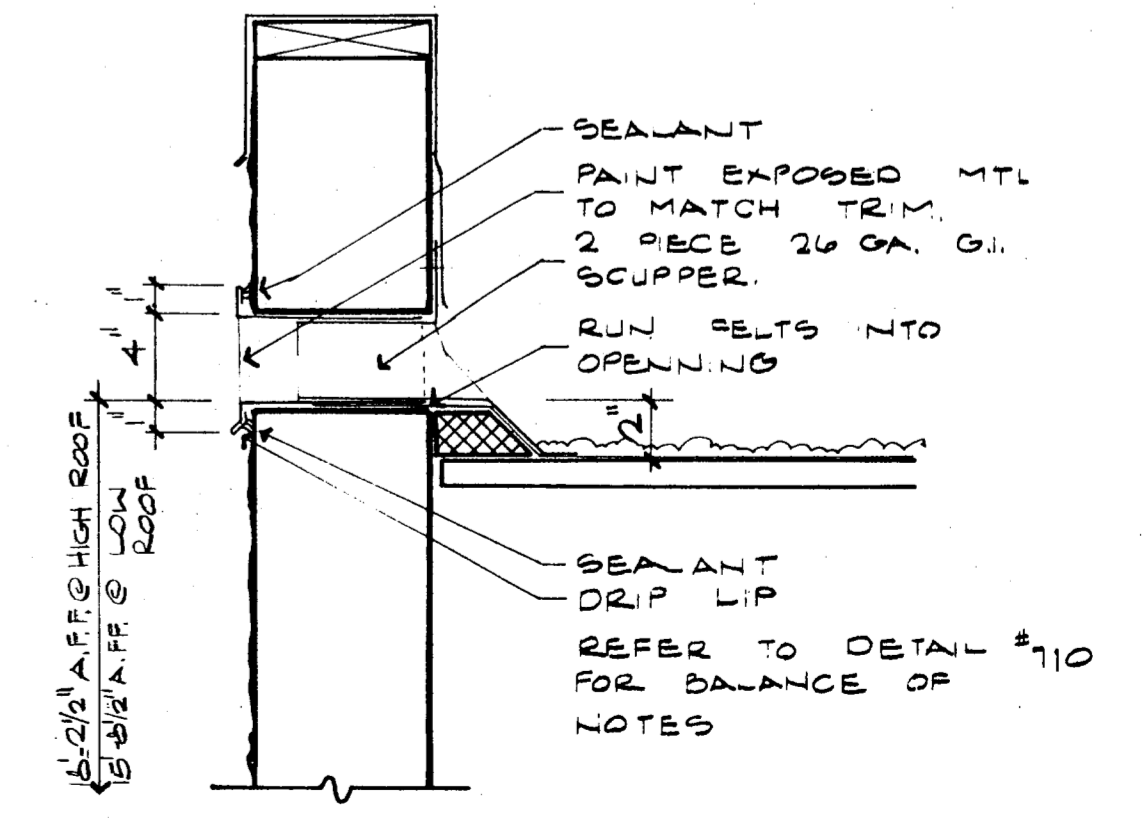
06 ROOF HEIGHT CHANGE
SC: 1/2" = 1'-0"



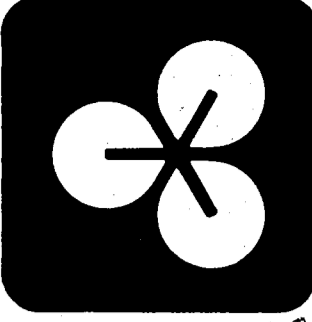
03 SKYLIGHT FRAME
SC: 1/2" = 1'-0"



07 SCUPPER ELEVATION
SC: 1/2" = 1'-0"



08 SCUPPER SECTION
SC: 1/2" = 1'-0"



EDI CAPE HOPKINS CLEMENT, INC.
PLANNING - ARCHITECTURE - INTERIOR DESIGN
TWO NORTH PARK EAST, 120 · DALLAS · 214/750-1945
AMERICAN INSTITUTE OF ARCHITECTS · AMER SOC CONSULTING PLANNERS

City of Addison
PUBLIC WORKS SERVICE CENTER
Addison Texas
Dooley Road

ISSUE DATE
6/12/88
REVISIONS

SHEET NUMBER
9
#2000.00