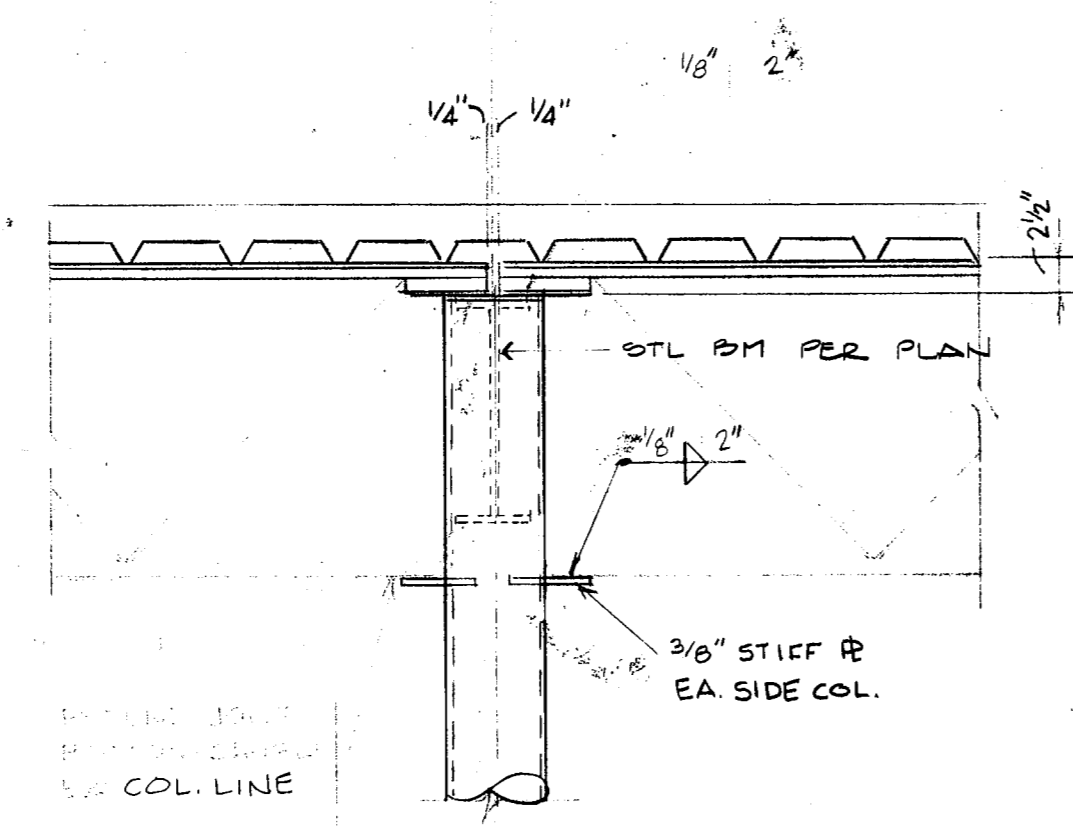
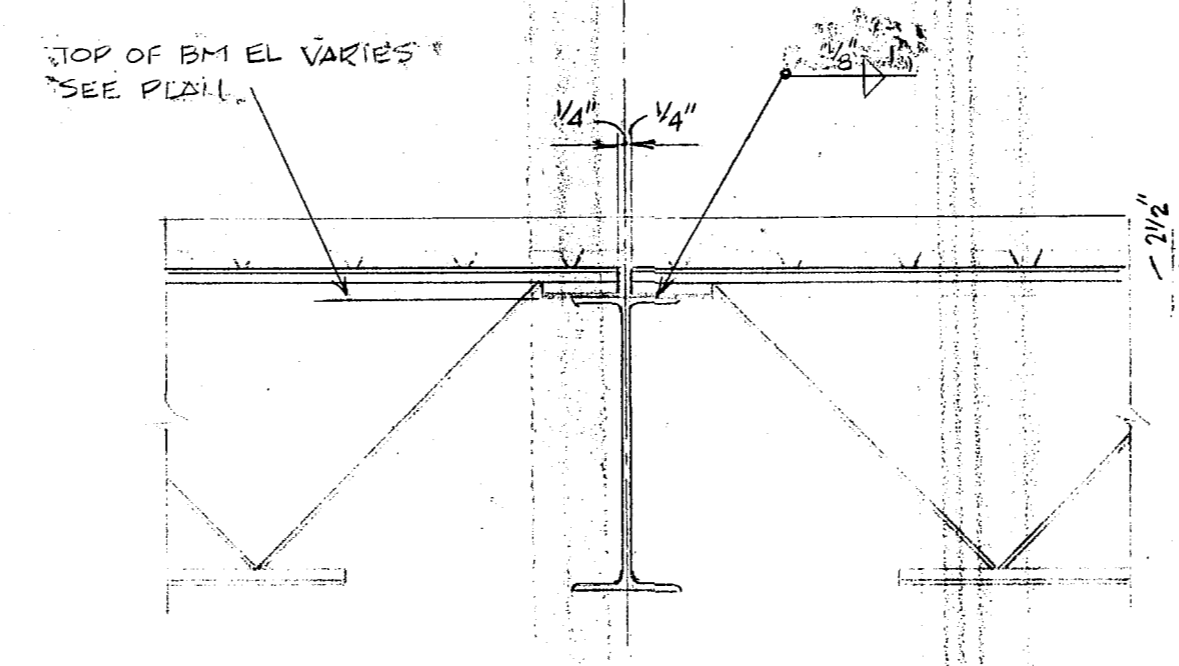


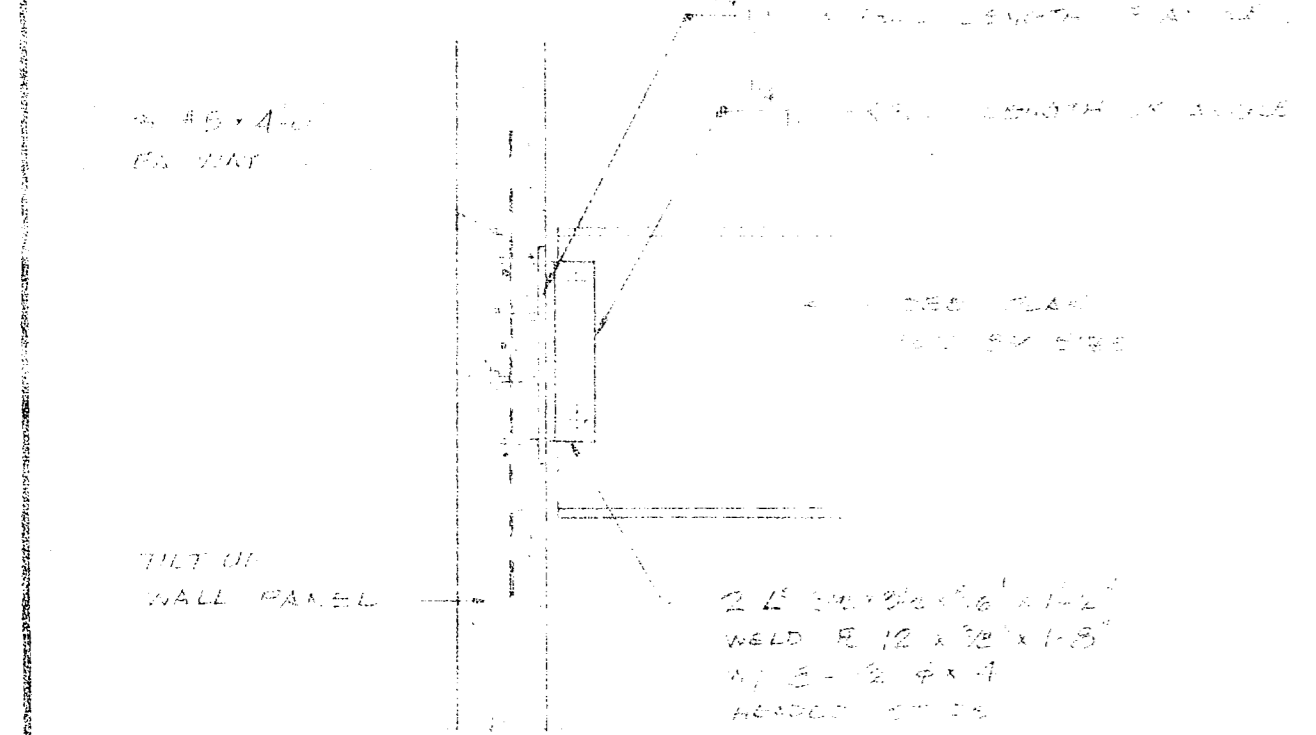
SECTION 1
3/4" = 1'-0"



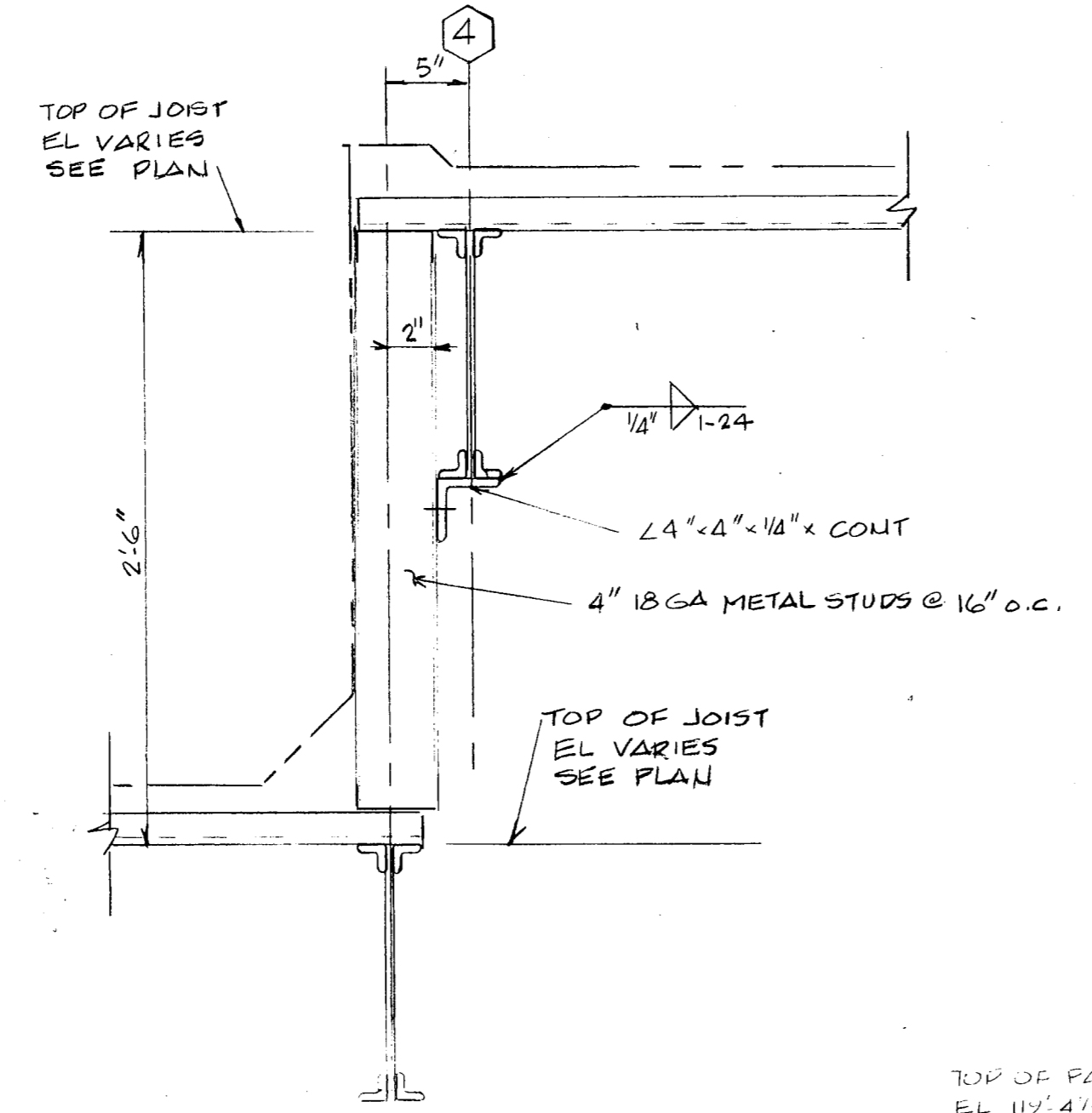
SECTION 2
3/4" = 1'-0"



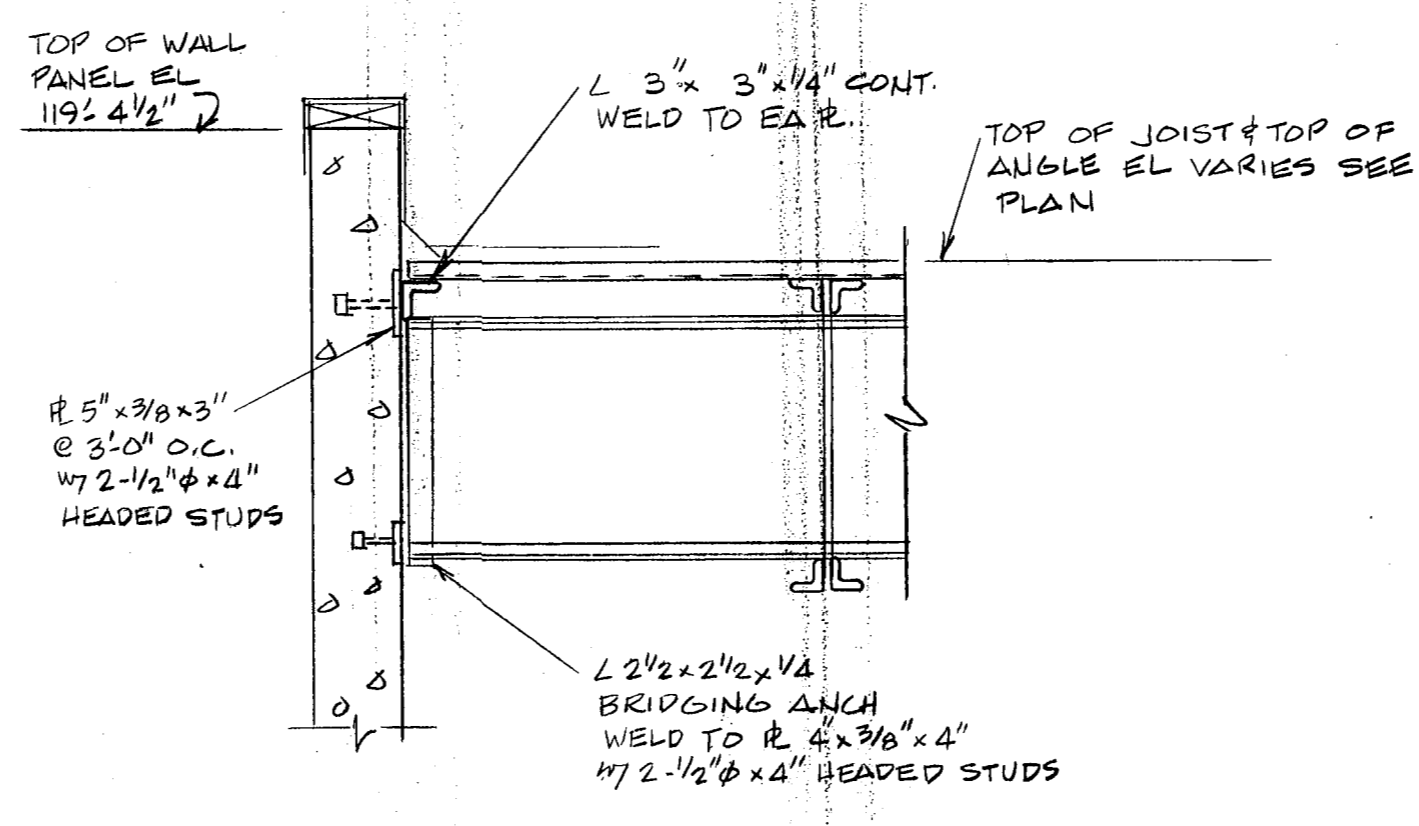
SECTION 3
3/4" = 1'-0"



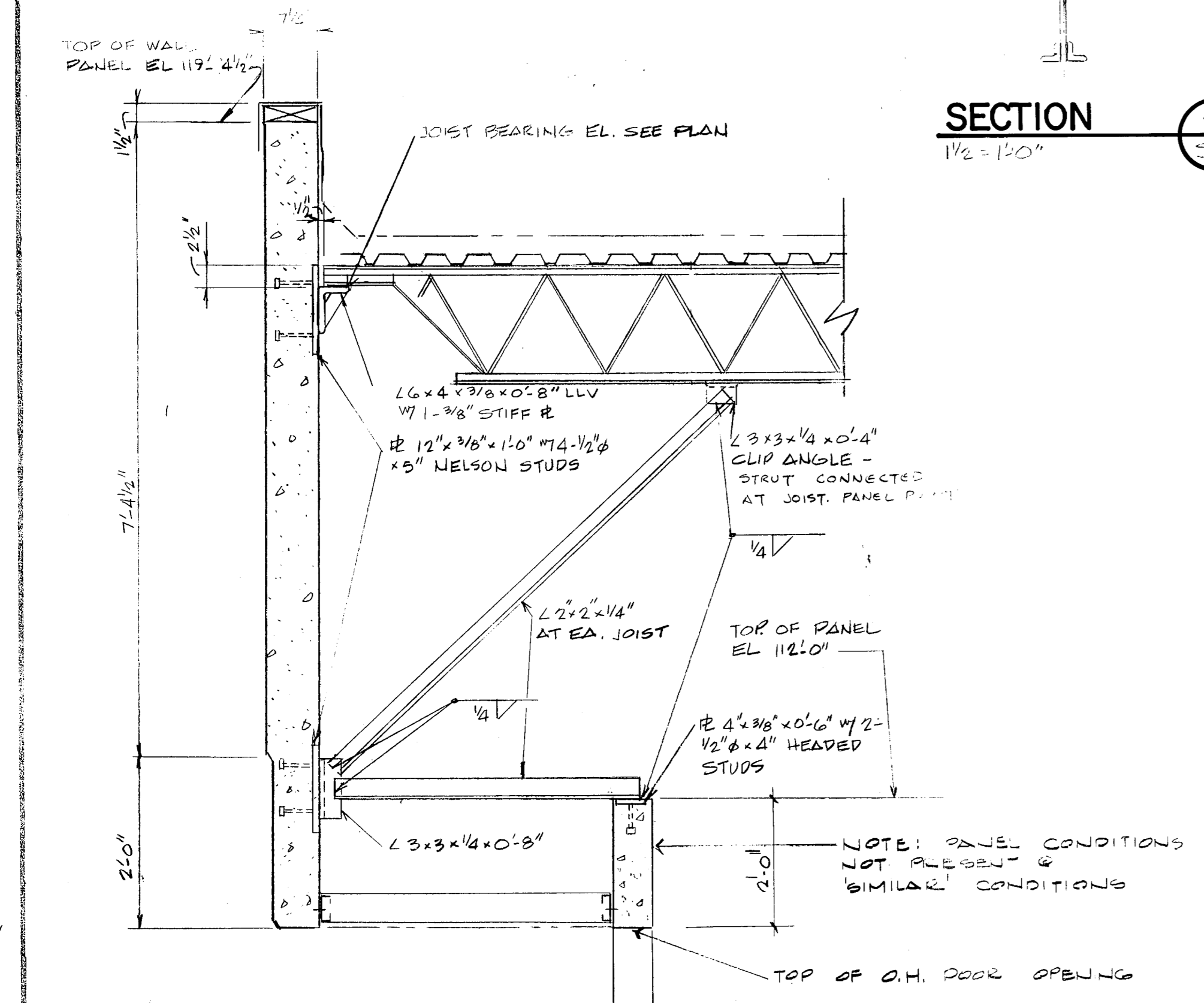
BM TO PANEL CONNECTION
3/4" = 1'-0"



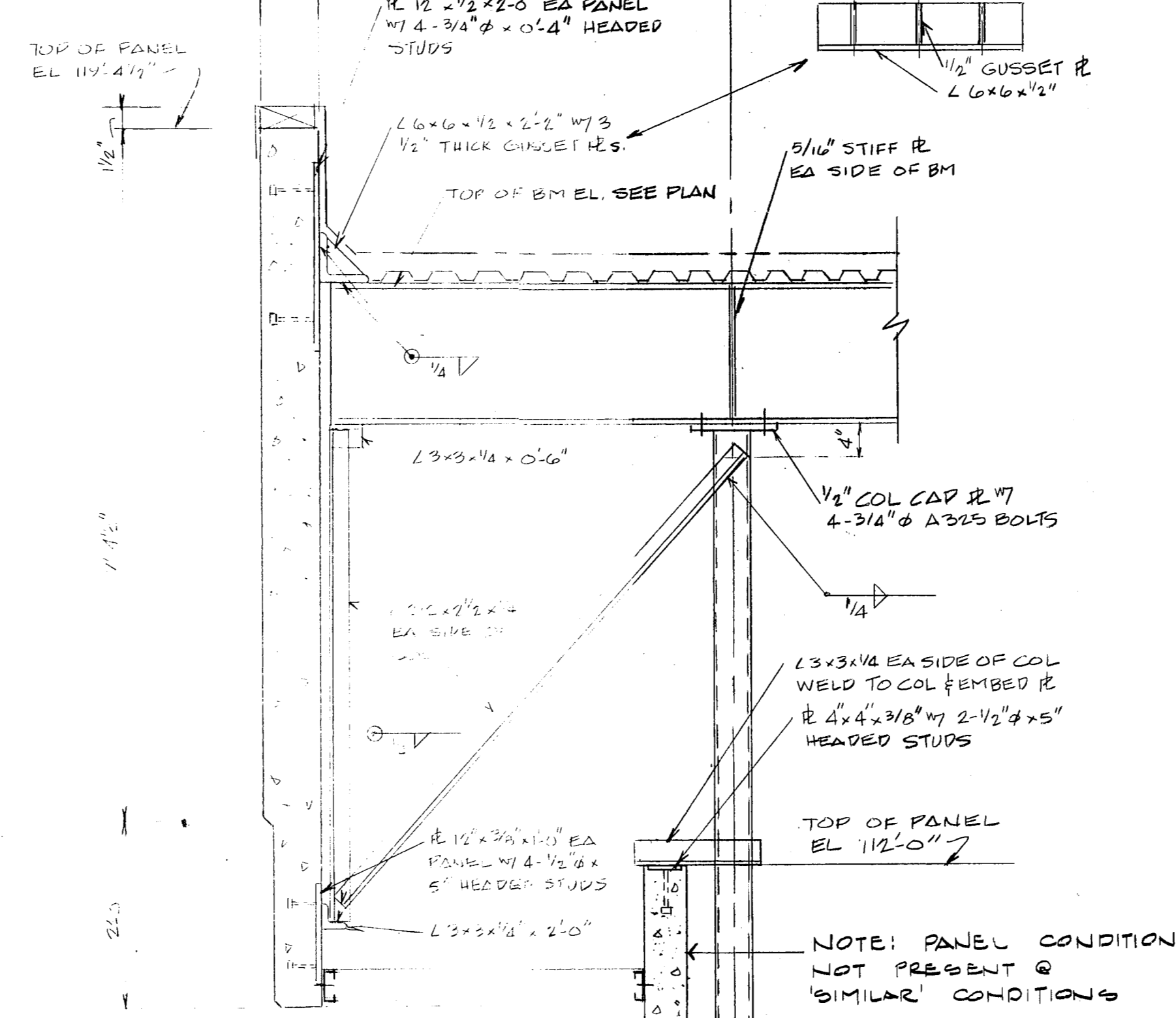
SECTION 5
1/2" = 1'-0"



SECTION 6
3/4" = 1'-0"



SECTION 7
3/4" = 1'-0"



SECTION 8
3/4" = 1'-0"

1. ALL STEEL SHALL BE AISC 360-10...
2. ALL CONCRETE SHALL BE ACI 308-11...

1. ALL CONNECTIONS SHALL BE DESIGNED TO RESIST ALL APPLIED LOADS...
2. ALL CONNECTIONS SHALL BE DESIGNED TO RESIST ALL APPLIED LOADS...

1. ALL CONCRETE SHALL BE CAST IN PLACE AND SHALL BE CURED PROPERLY...
2. ALL CONCRETE SHALL BE CAST IN PLACE AND SHALL BE CURED PROPERLY...

1. ALL CONNECTIONS SHALL BE DESIGNED TO RESIST ALL APPLIED LOADS...
2. ALL CONNECTIONS SHALL BE DESIGNED TO RESIST ALL APPLIED LOADS...

1. ALL STEEL SHALL BE AISC 360-10...
2. ALL CONCRETE SHALL BE ACI 308-11...

1. ALL CONNECTIONS SHALL BE DESIGNED TO RESIST ALL APPLIED LOADS...
2. ALL CONNECTIONS SHALL BE DESIGNED TO RESIST ALL APPLIED LOADS...

1. ALL CONNECTIONS SHALL BE DESIGNED TO RESIST ALL APPLIED LOADS...
2. ALL CONNECTIONS SHALL BE DESIGNED TO RESIST ALL APPLIED LOADS...

City of Addison
PUBLIC WORKS SERVICE CENTER
Dooley Road
Addison Texas

6/12/20
11:15 AM

S4