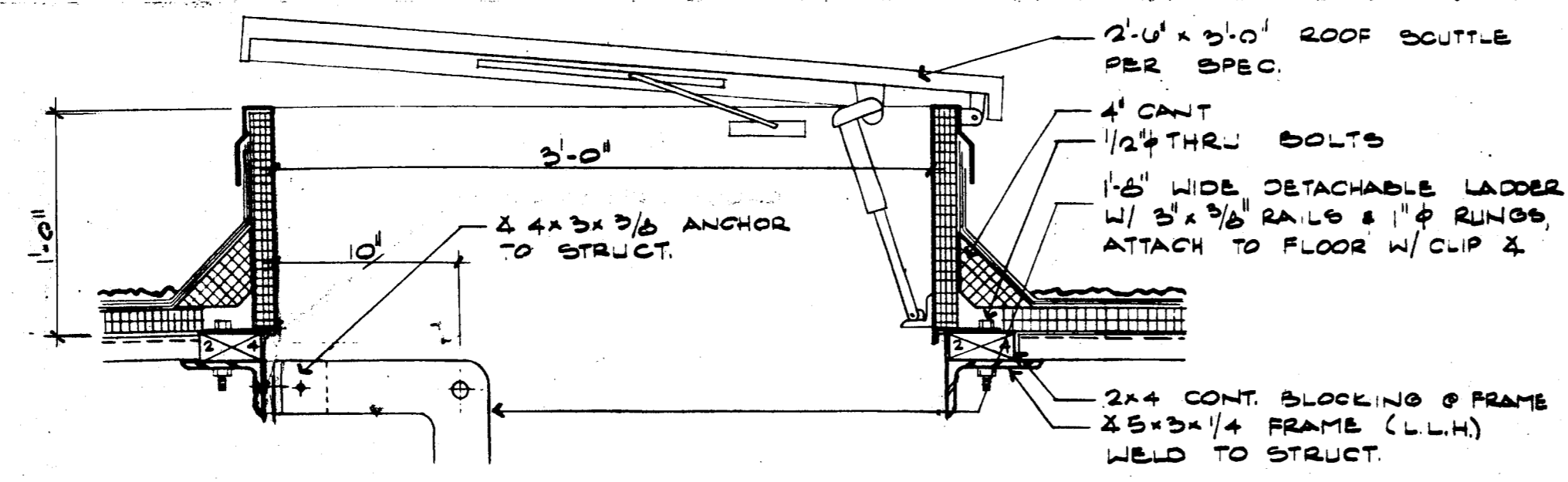
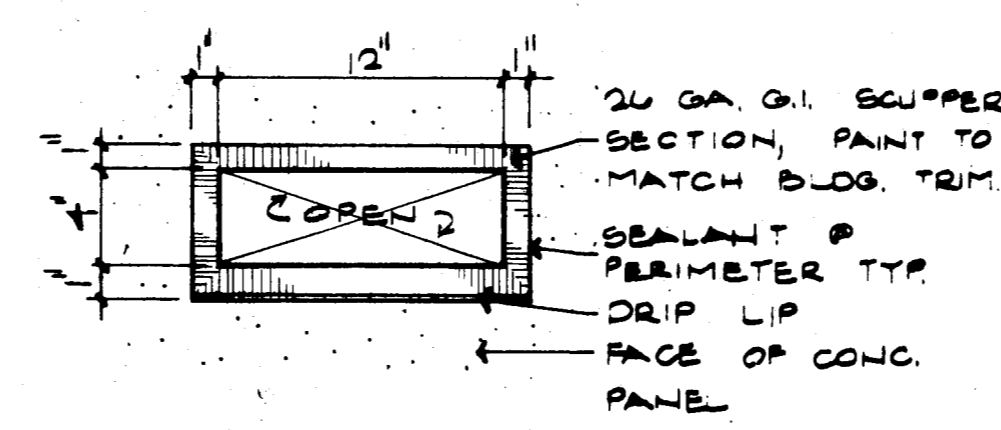


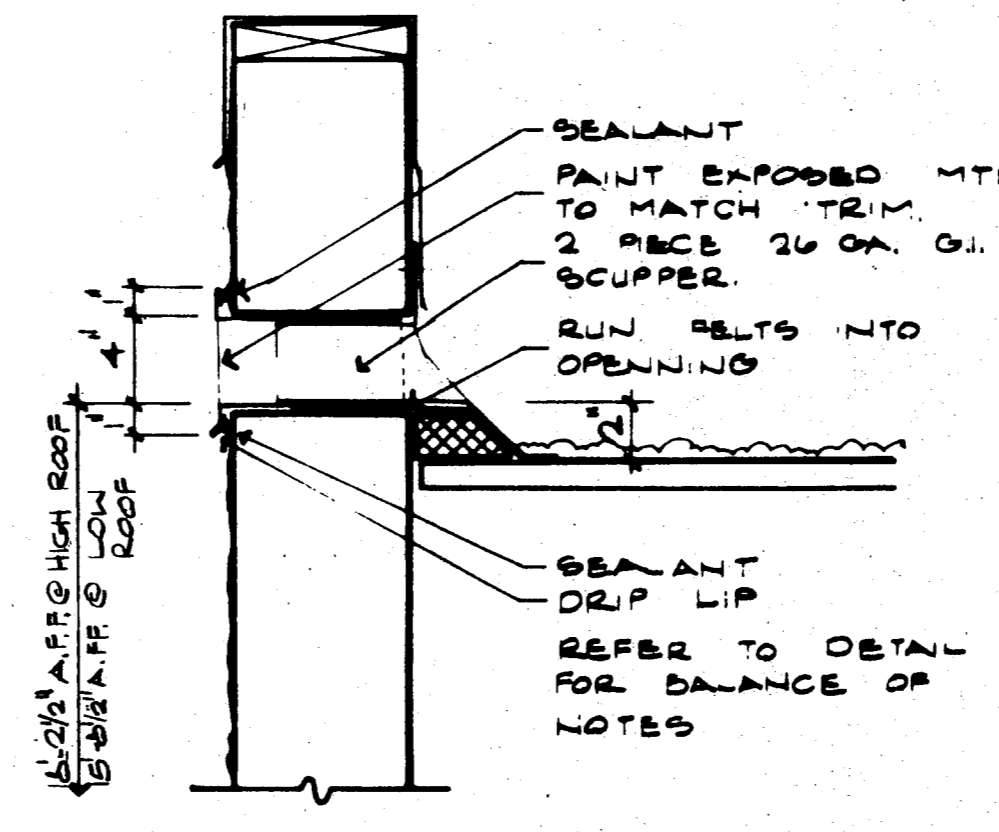
22 ROOF DRAIN
A4.2 1 1/2" x 1'-0"



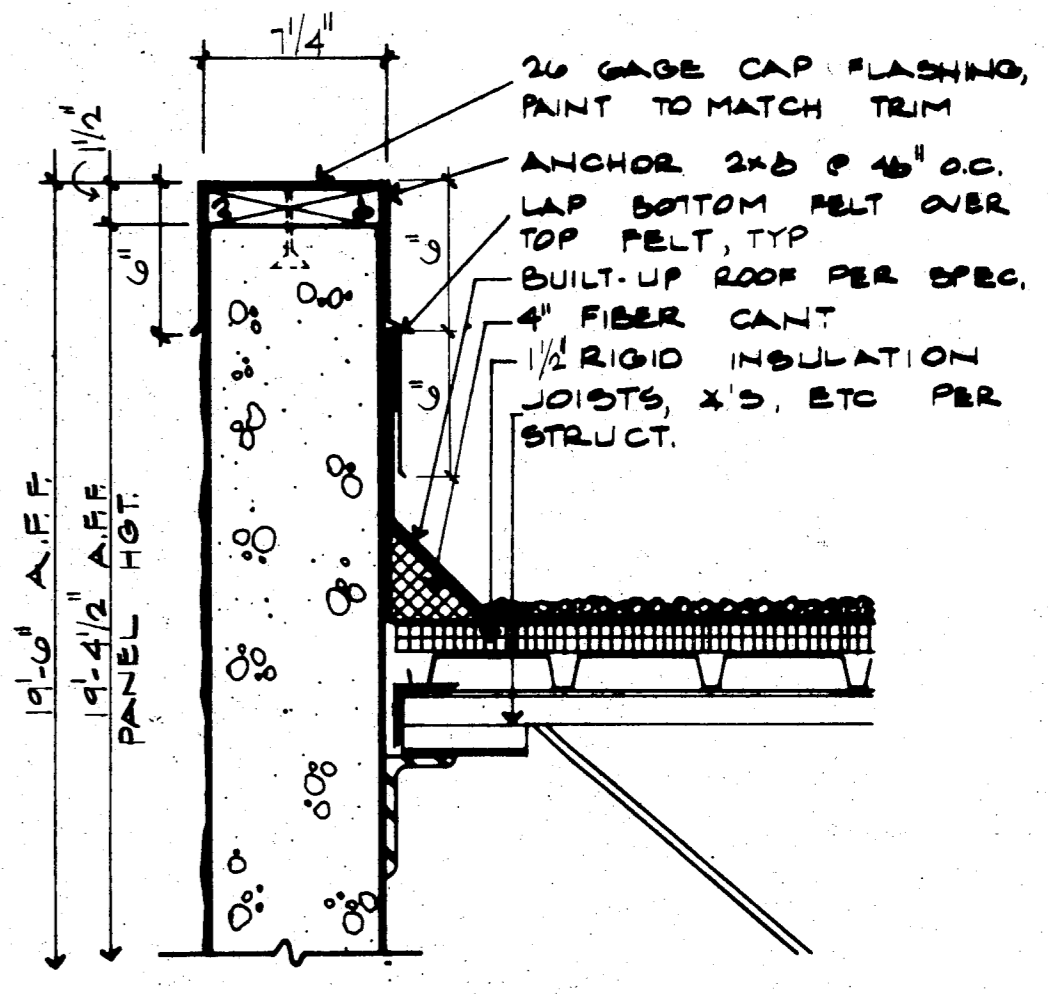
18 ROOF SCUTTLE
A4.2 1 1/2" x 1'-0"



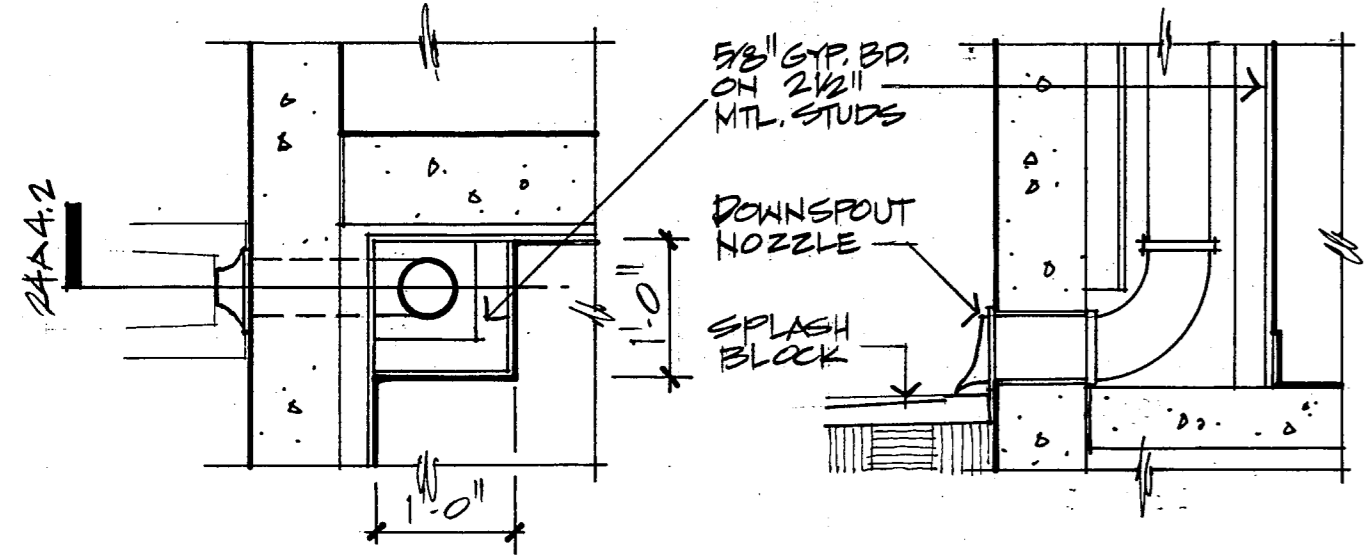
13 SCUPPER ELEVATION
A4.2 1 1/2" x 1'-0"



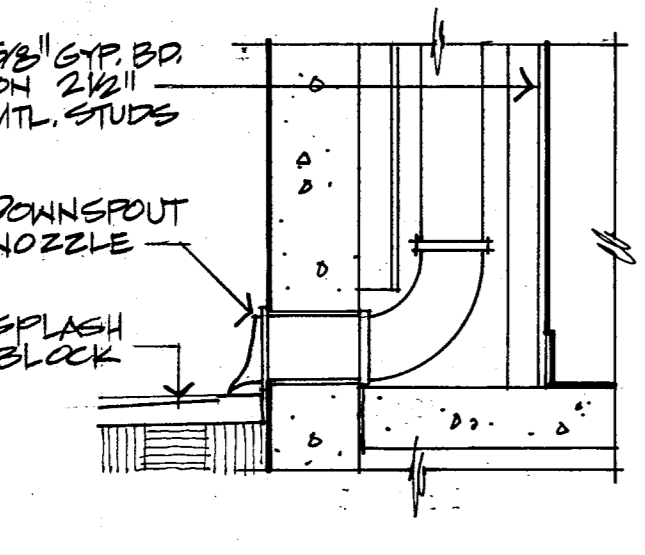
08 SCUPPER SECTION
A4.2 1 1/2" x 1'-0"



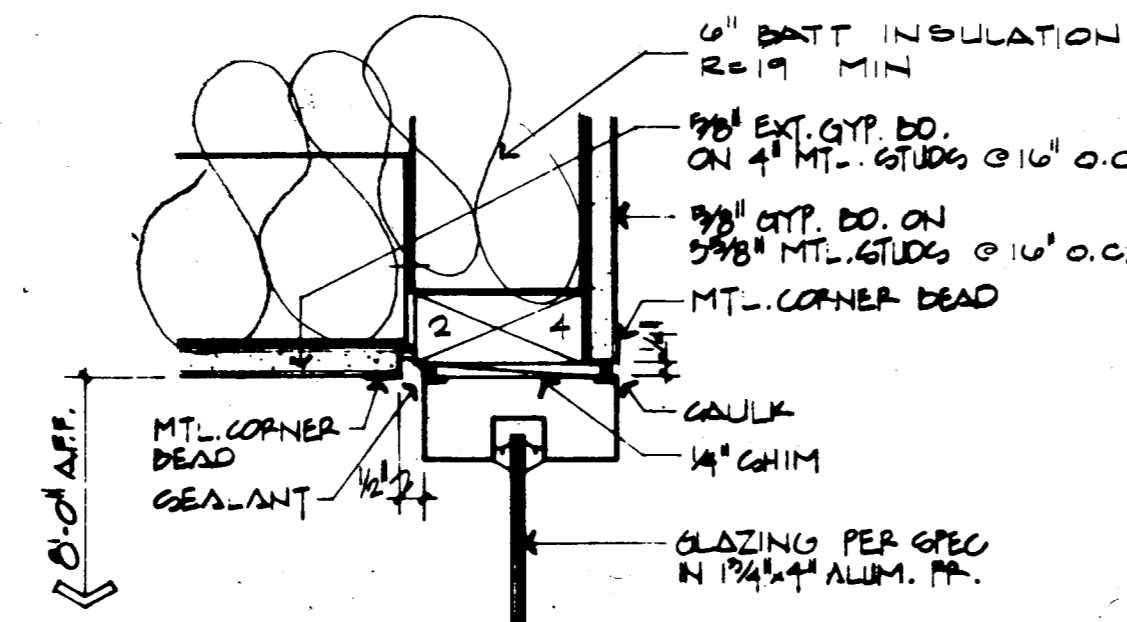
05 FLASHING DETAIL
A4.2 3" x 1'-0"



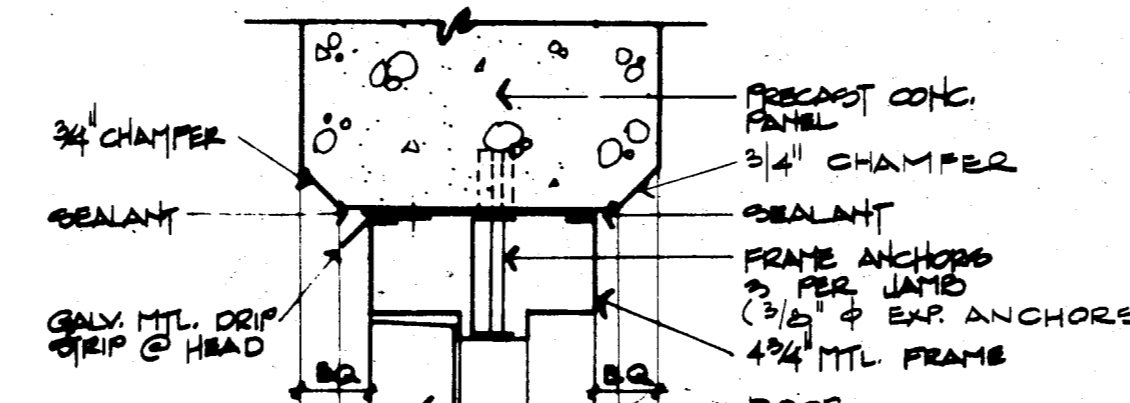
23 DETAIL
A4.2 3/4" x 1'-0"



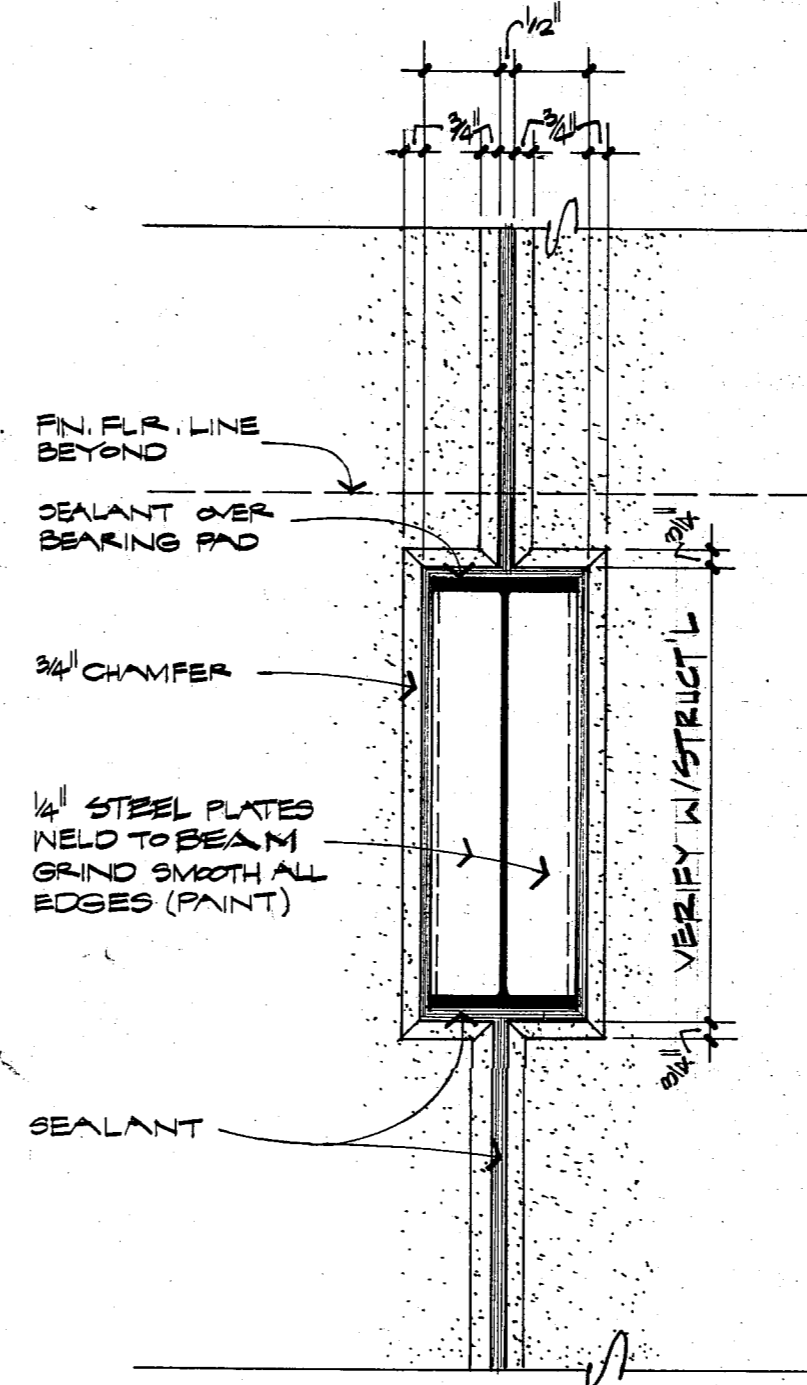
24 DETAIL
A4.2 3/4" x 1'-0"



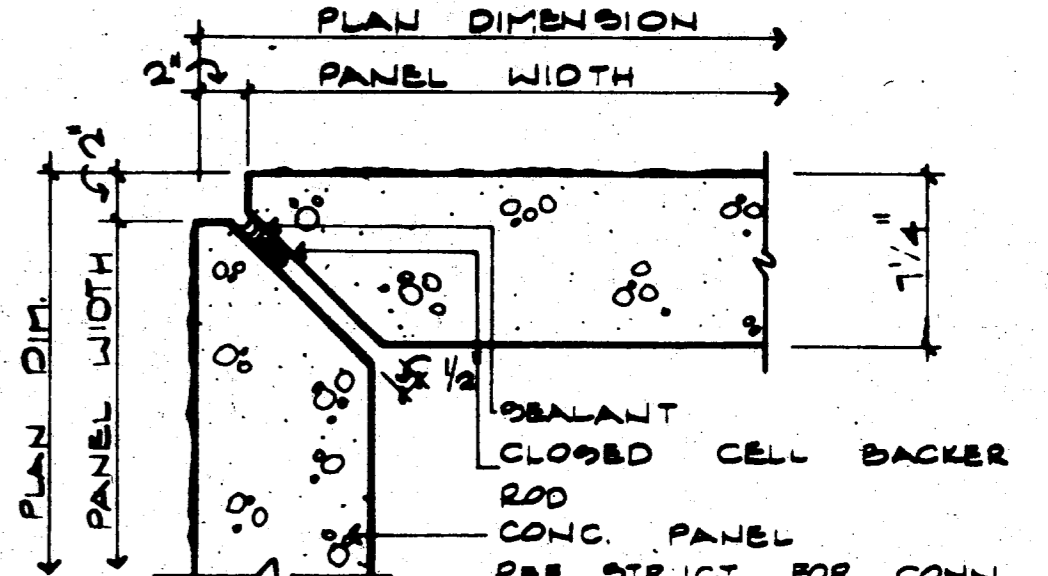
17 HEAD DETAIL
A4.2 3" x 1'-0"



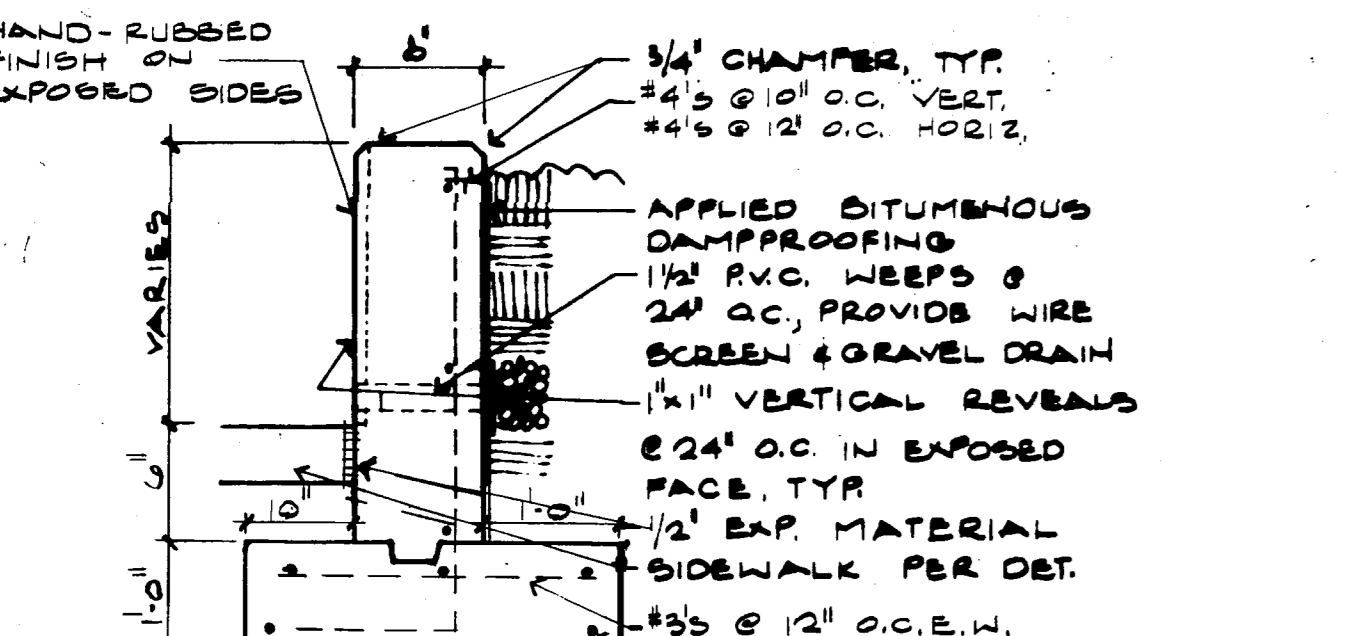
12 HEAD - JAMB SIMILAR
A4.2 3" x 1'-0"



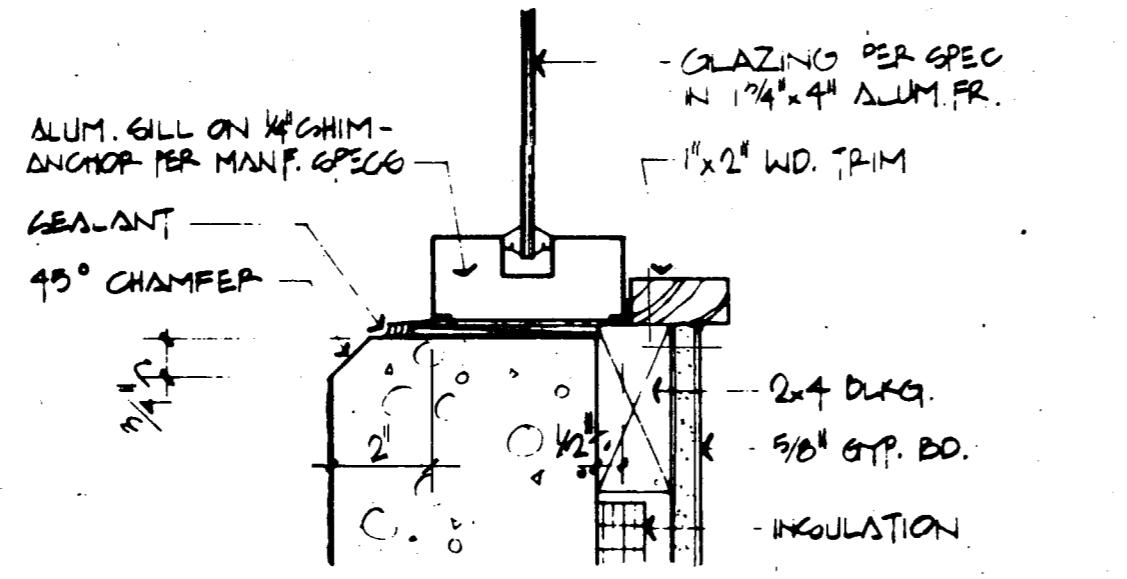
07 ELEVATION DETAIL
A4.2 1 1/2" x 1'-0"



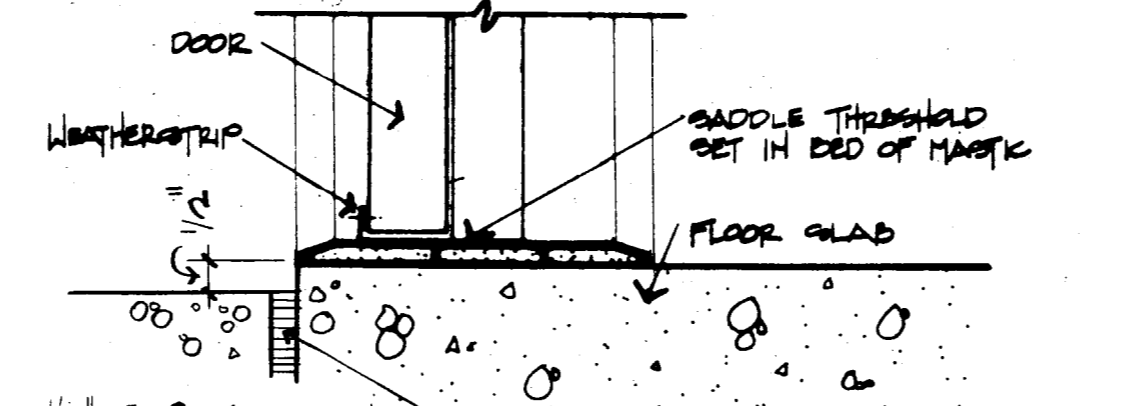
04 JOINT DETAIL
A4.2 1 1/2" x 1'-0"



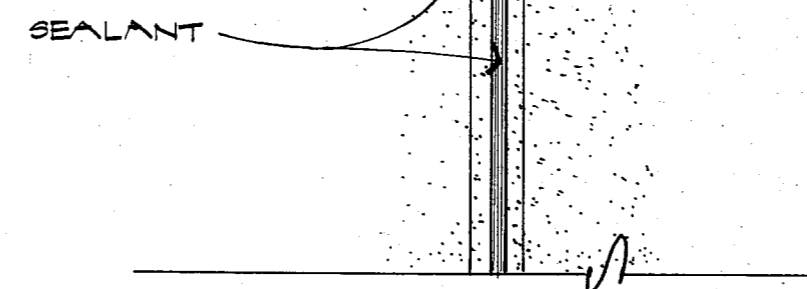
21 RETAINING WALL
A4.2 NONE



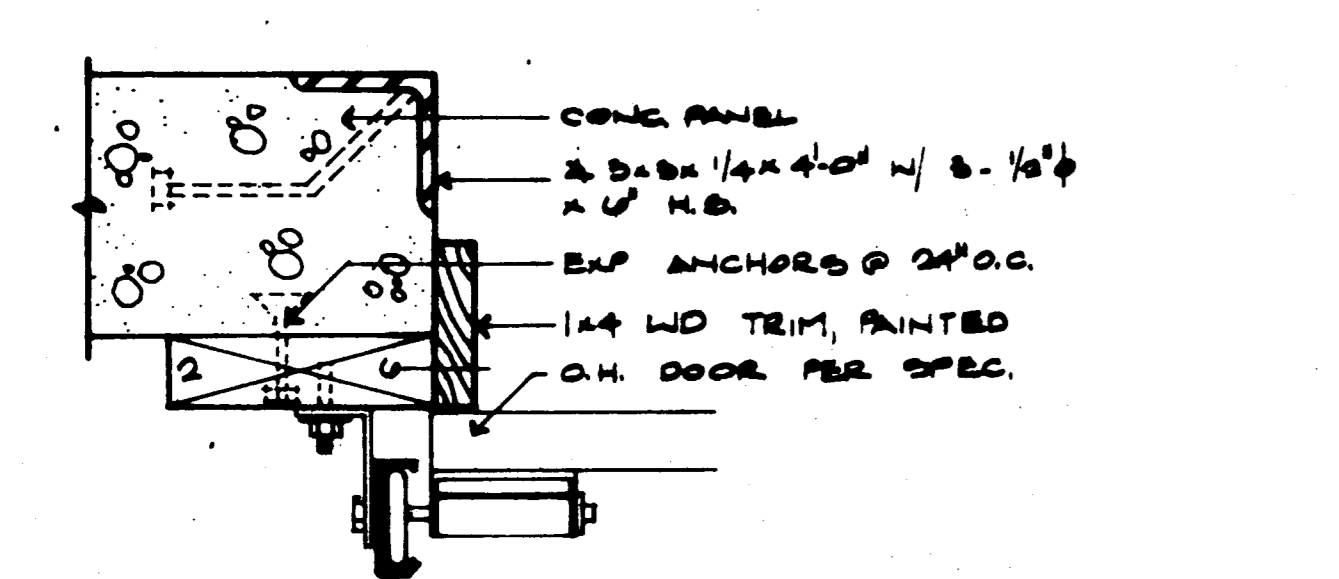
16 SILL DETAIL
A4.2 3" x 1'-0"



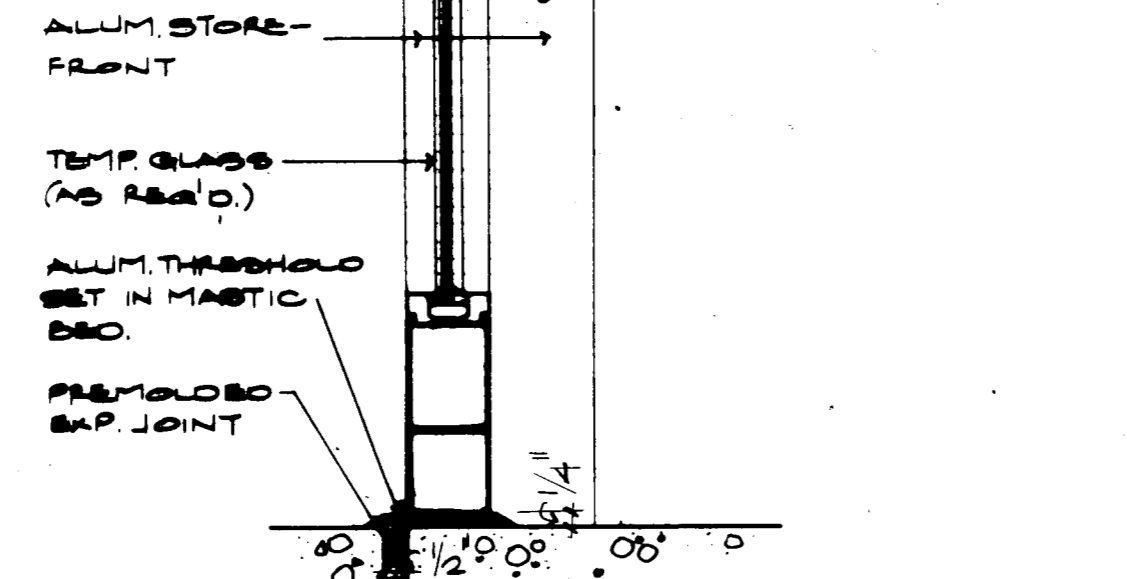
11 DOOR SILL DETAIL
A4.2 3" x 1'-0"



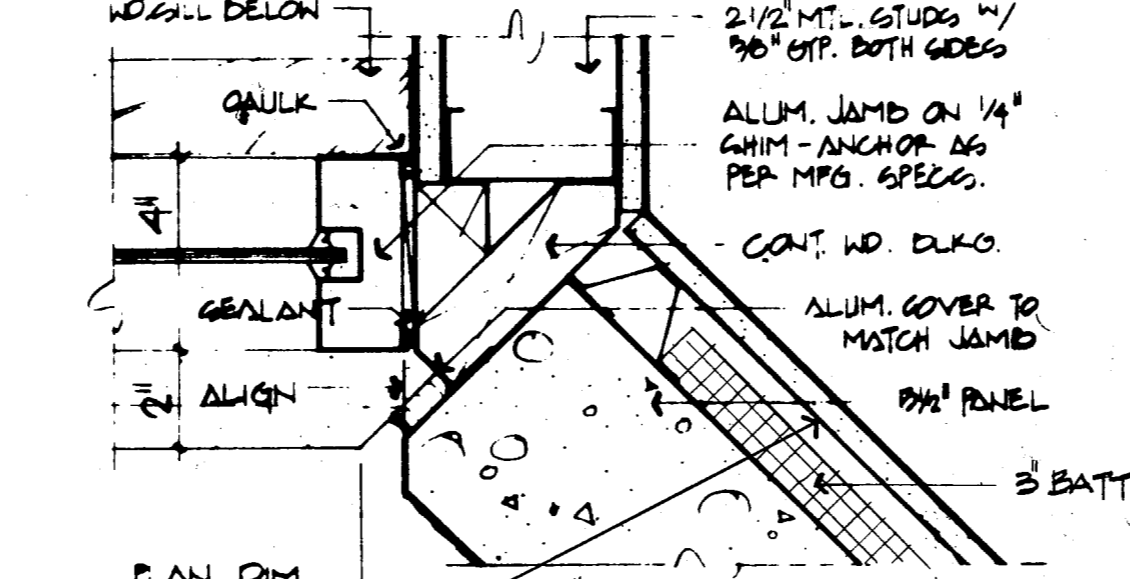
03 JOINT DETAIL
A4.2 1 1/2" x 1'-0"



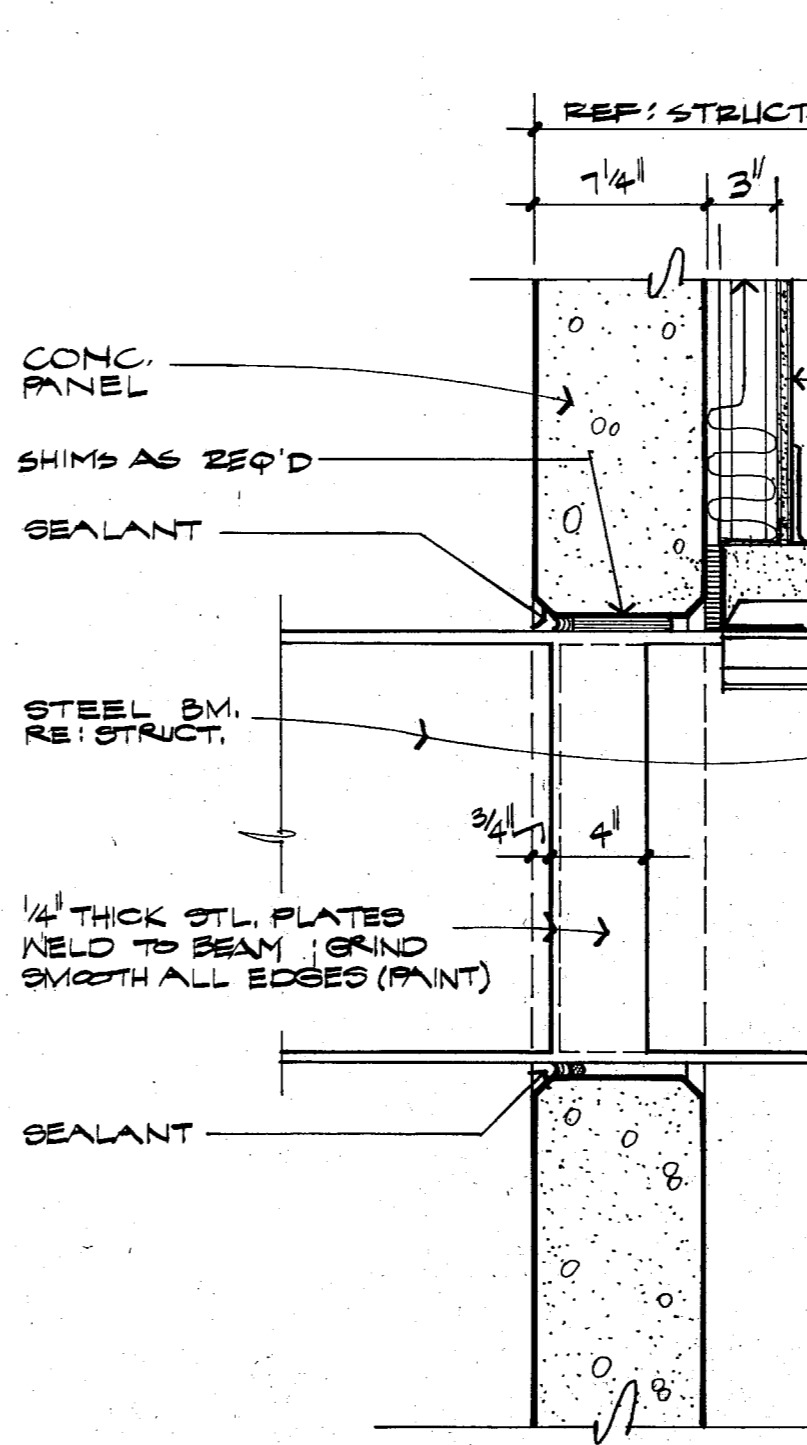
20 DOOR JAMB
A4.2 3" x 1'-0"



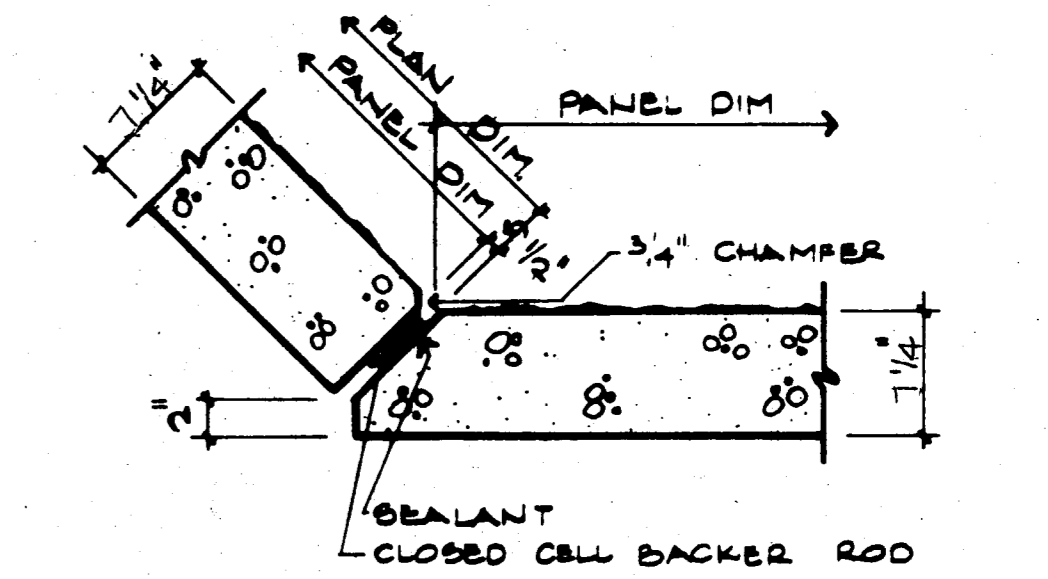
15 SILL DETAIL
A4.2 3" x 1'-0"



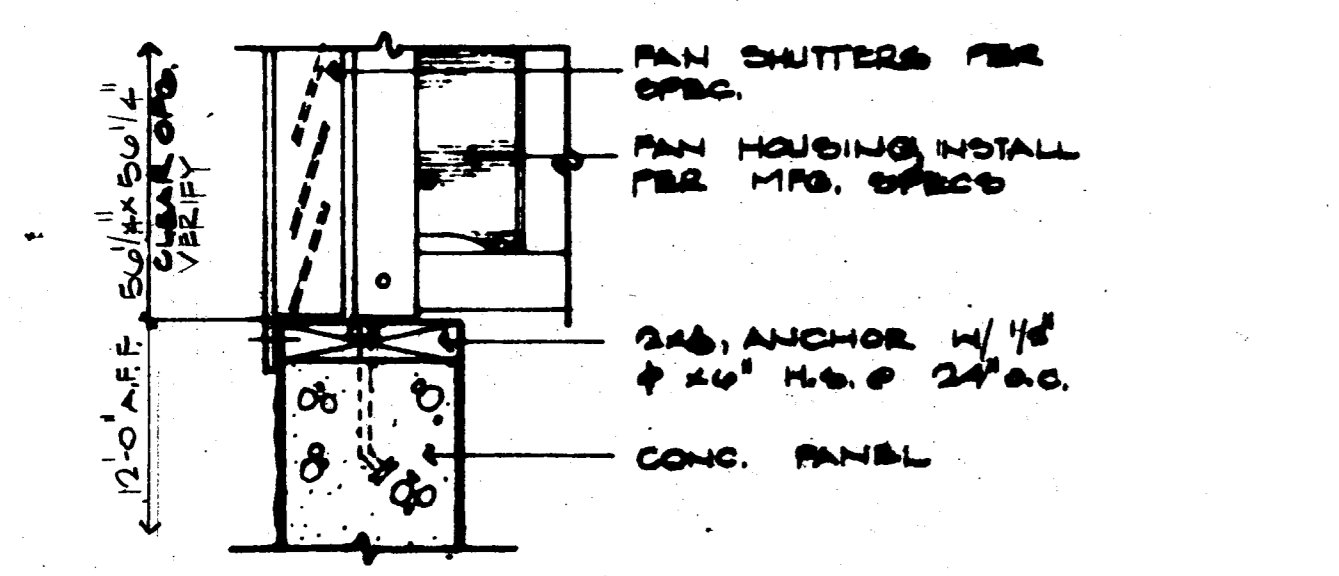
10 JAMB DETAIL
A4.2 3" x 1'-0"



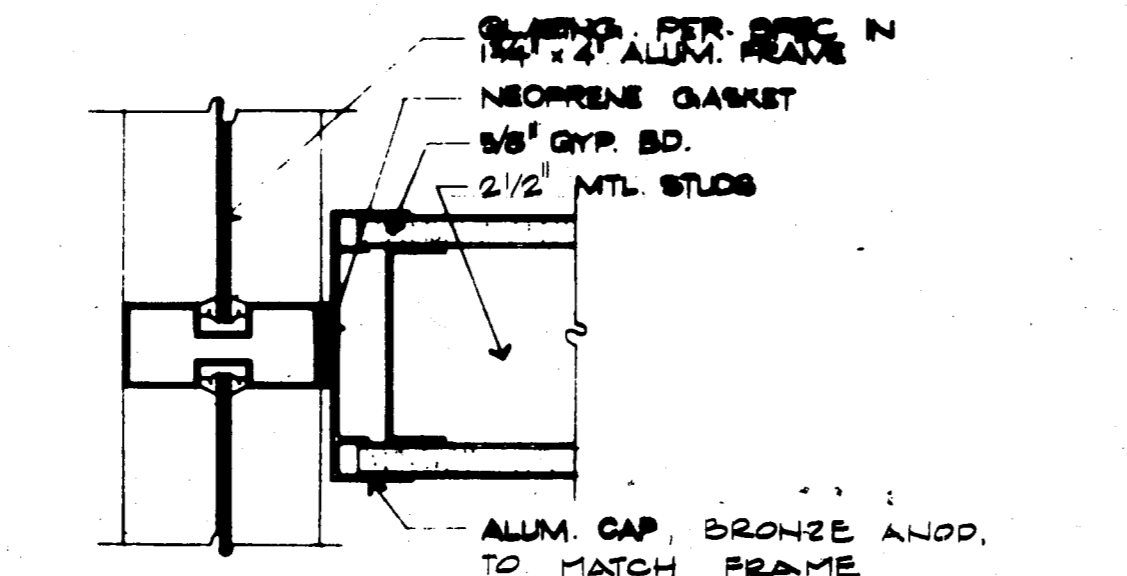
06 WALL / BEAM DETAIL
A4.2 1 1/2" x 1'-0"



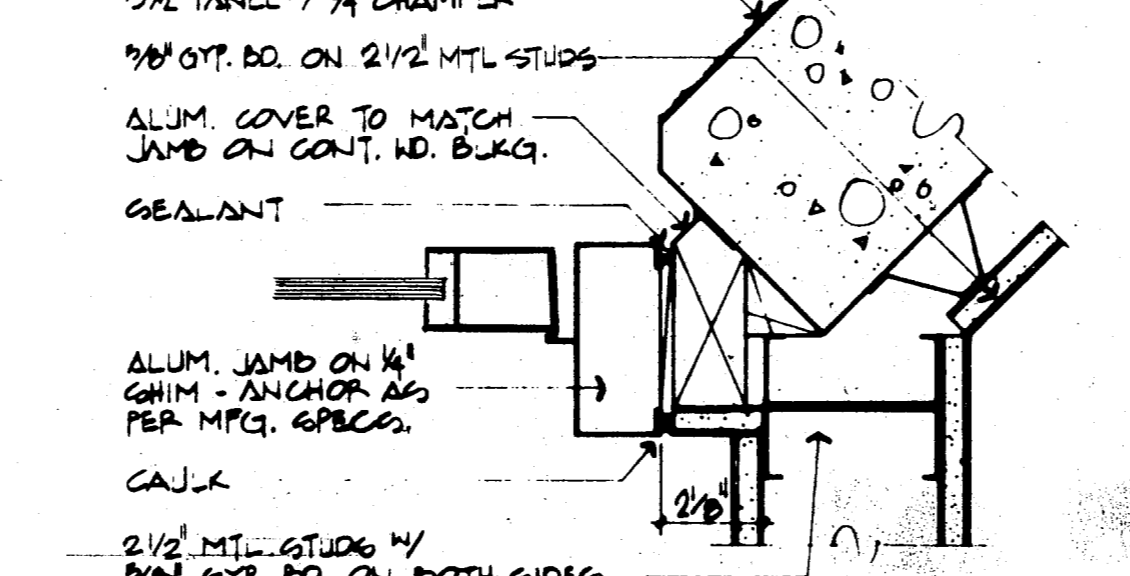
02 JOINT DETAIL
A4.2 1 1/2" x 1'-0"



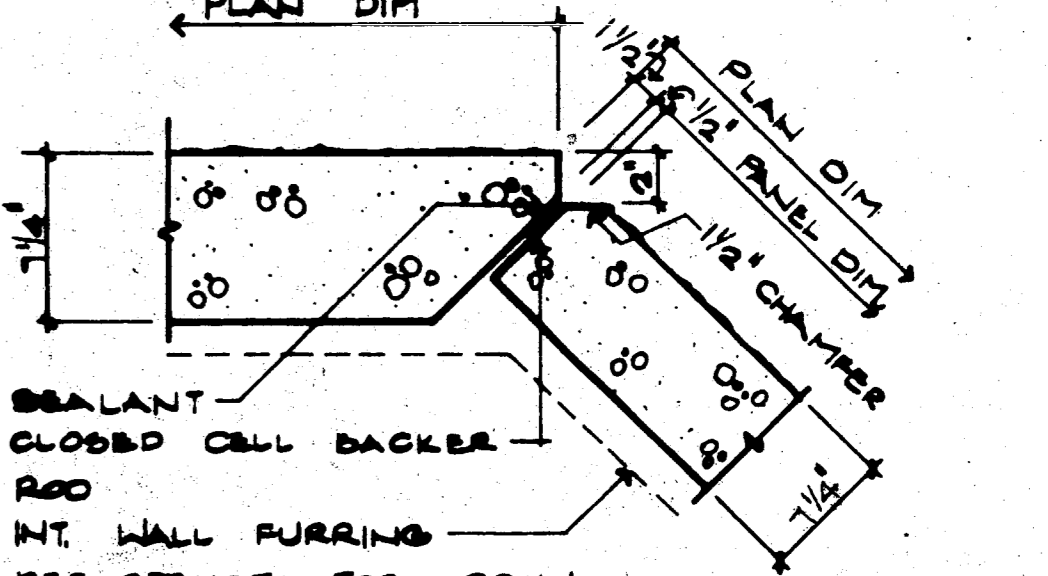
19 EXHAUST FAN
A4.2 3" x 1'-0"



14 MULLION DETAIL
A4.2 3" x 1'-0"

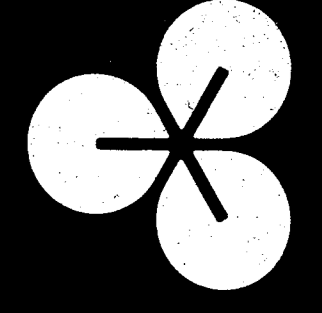


09 JAMB DETAIL
A4.2 3" x 1'-0"



01 JOINT DETAIL
A4.2 1 1/2" x 1'-0"

TOWN OF ADDISON
BUILDER'S COPY OF PLANS
This set of plans contains various corrections and comments made by the City Staff. All trades will be required to comply with these corrections and comments; failure to inform all trades of this information will not be accepted as a reason to approve construction which is in violation of local ordinances.
This set of plans is to be kept on the job site at all times and it is to be made available for use by city inspectors at their request. Failure to have these plans available may delay approval of a requested inspection.



EDI ARCHITECTS, INC.
ARCHITECTURE PLANNING INTERIOR DESIGN
8950 WALNUT HILL LANE
SUITE 300
DALLAS, TEXAS 75231
TEL: 750-2565
AUSTIN, TEXAS 78701
TEL: 459-8500

TOWN OF ADDISON

ADDITION TO PUBLIC WORKS SERVICE CENTER
Addison Texas
Westgrove Road

DATE: 5-16-86
11 JUNE 86
24 JULY 1986 - BID

SHEET NO:
A4.2
OF SHEETS
JOB NO: 851-137