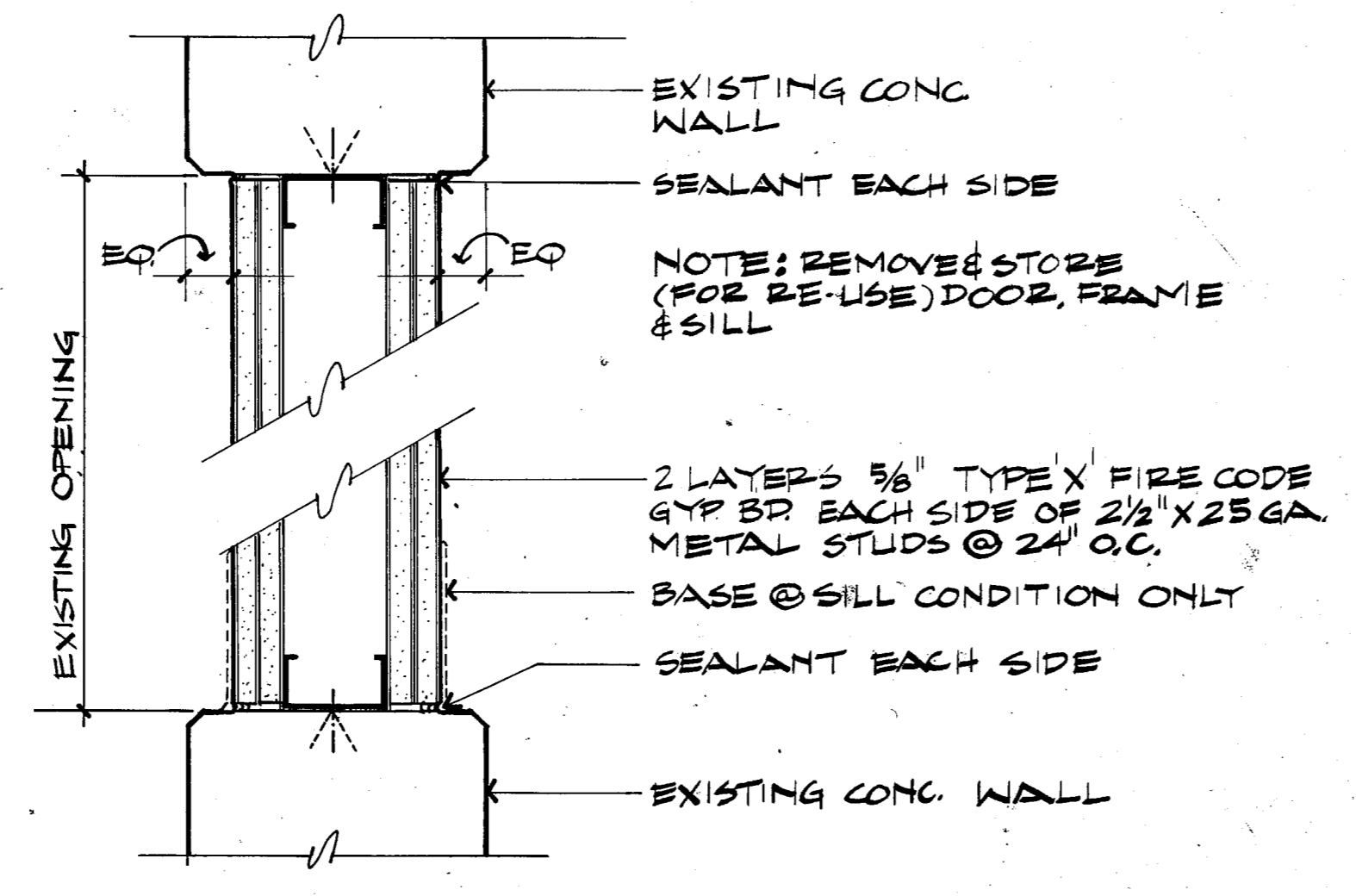
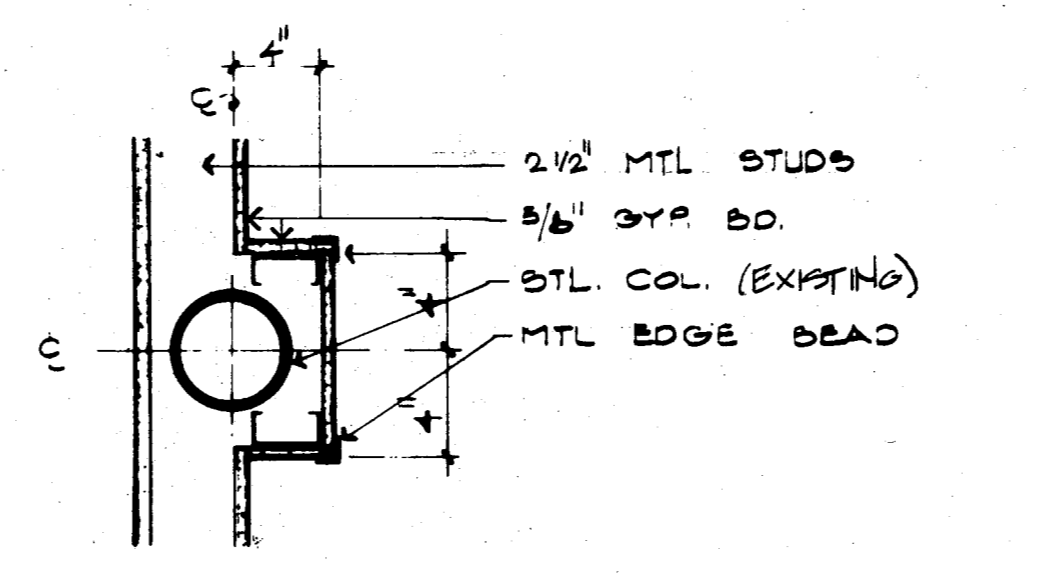


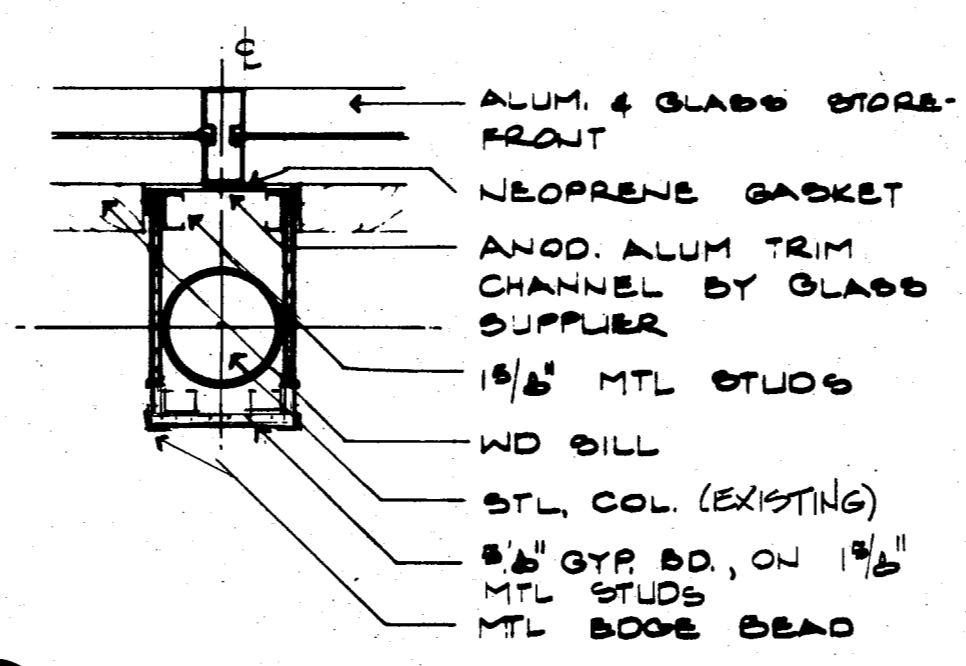
11 DETAIL
A4.3 1 1/2" = 1'-0"



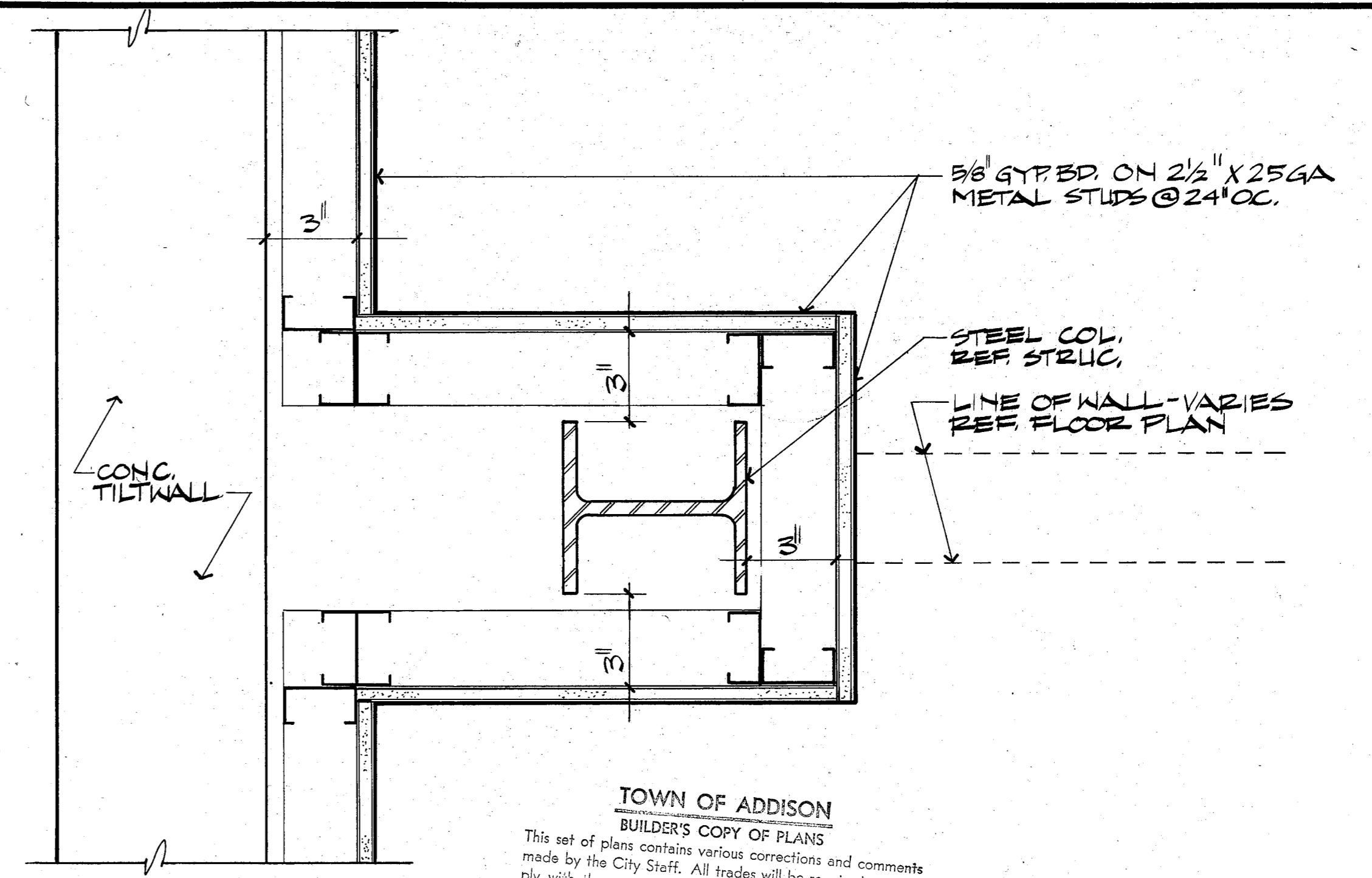
08 U.L. DESIGN #U504 PLAN DETAIL (HEAD / SILL SIM.)
A4.3 3" = 1'-0"



05 COLUMN DETAIL
A4.3 1 1/2" = 1'-0"

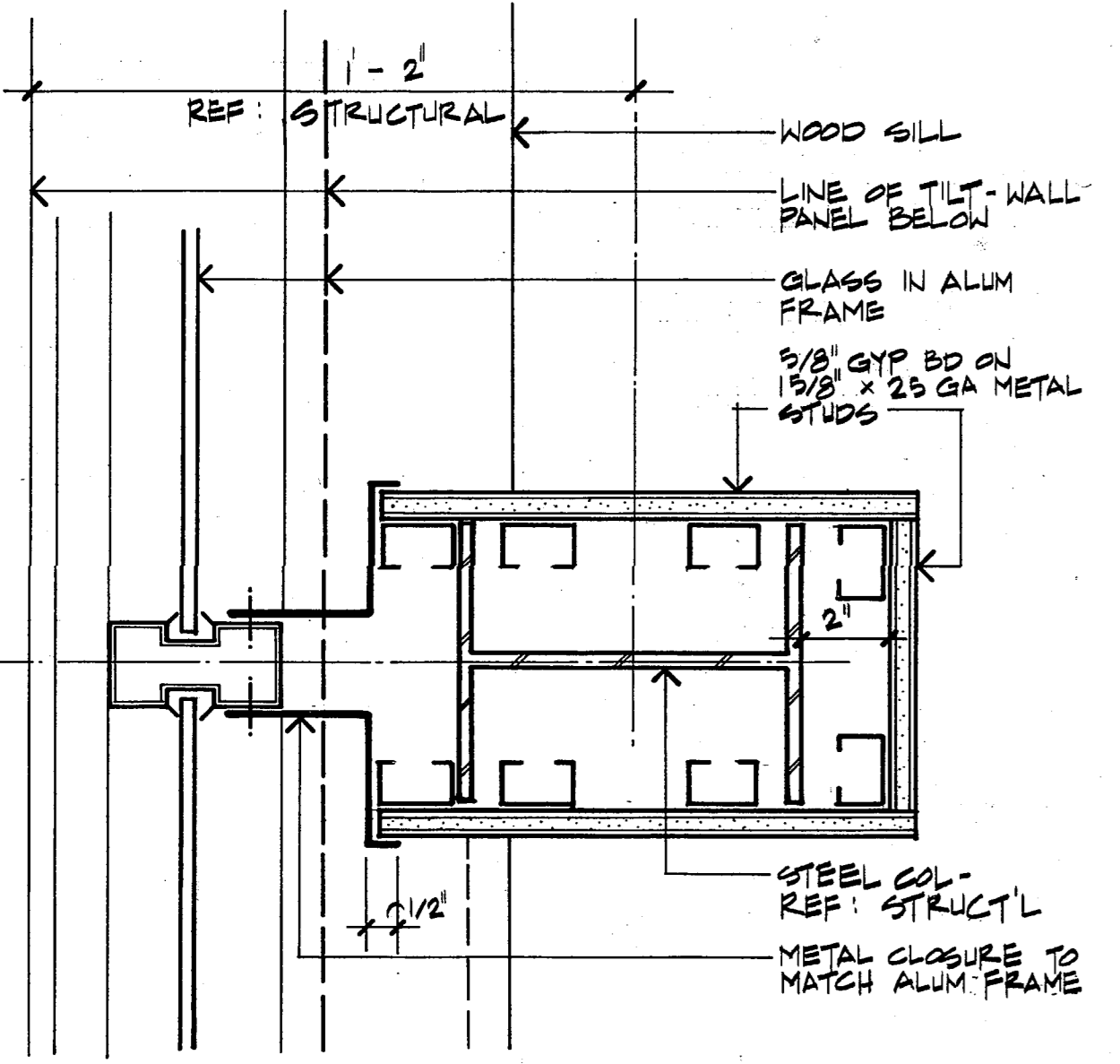


04 COLUMN DETAIL
A4.3 1 1/2" = 1'-0"

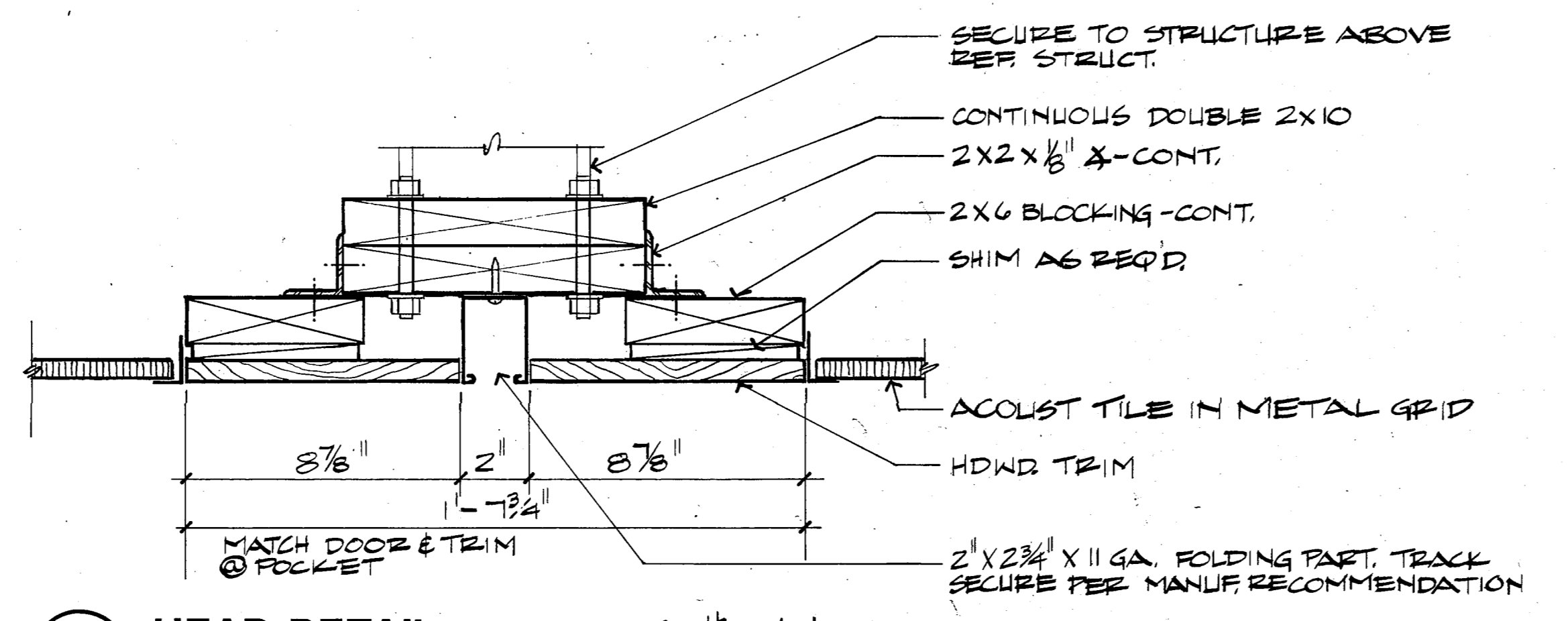


03 PLAN DETAIL
A4.3 3" = 1'-0"

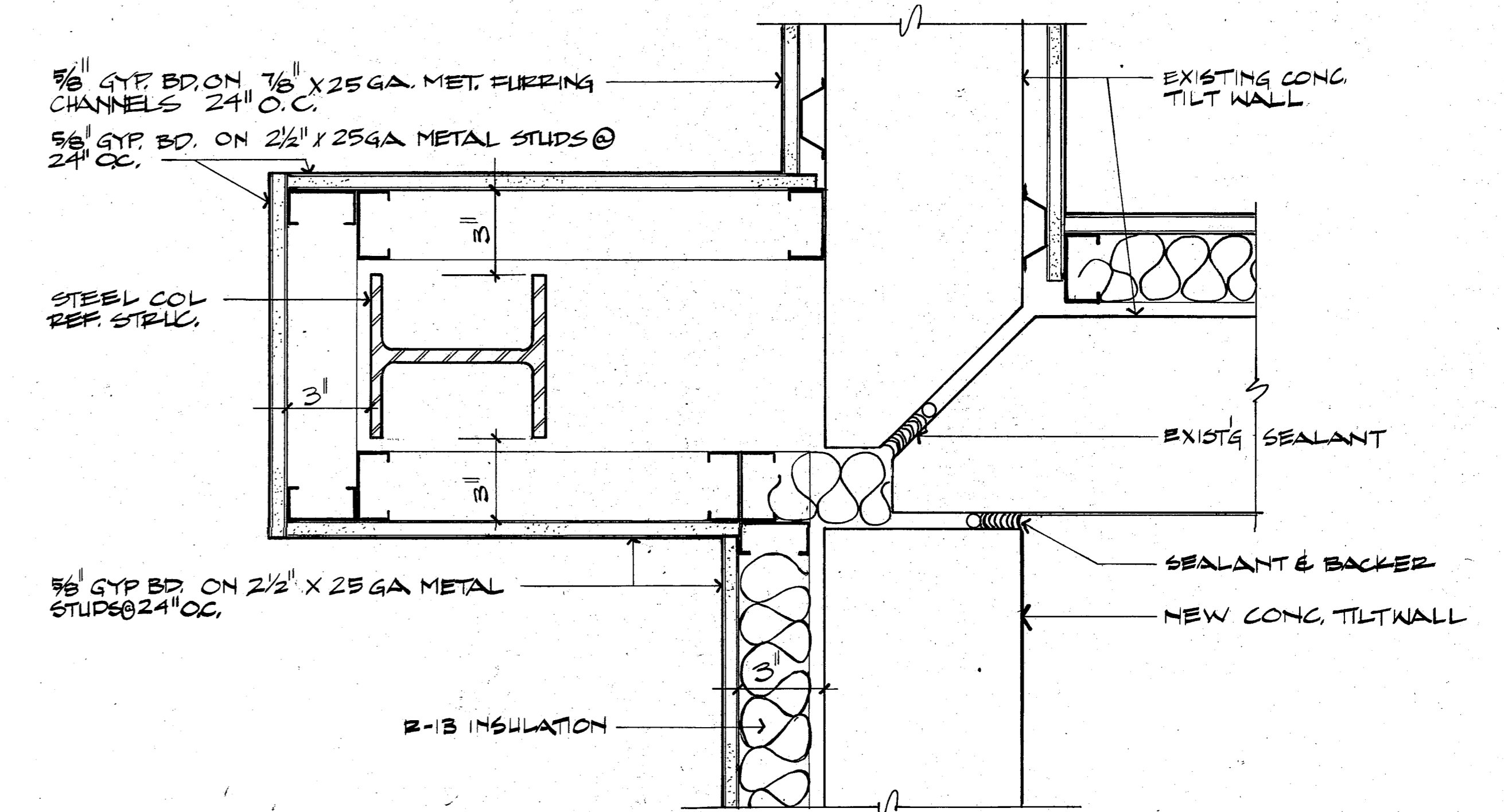
TOWN OF ADDISON
BUILDER'S COPY OF PLANS
This set of plans contains various corrections and comments made by the City Staff. All trades will be required to comply with these corrections and comments; failure to inform all trades of this information will not be accepted as a reason for non-compliance.
This set of plans is to be kept on the job site at all times and is to be made available for use by city inspectors at their request. Failure to have these plans available may delay approval of a requested inspection.



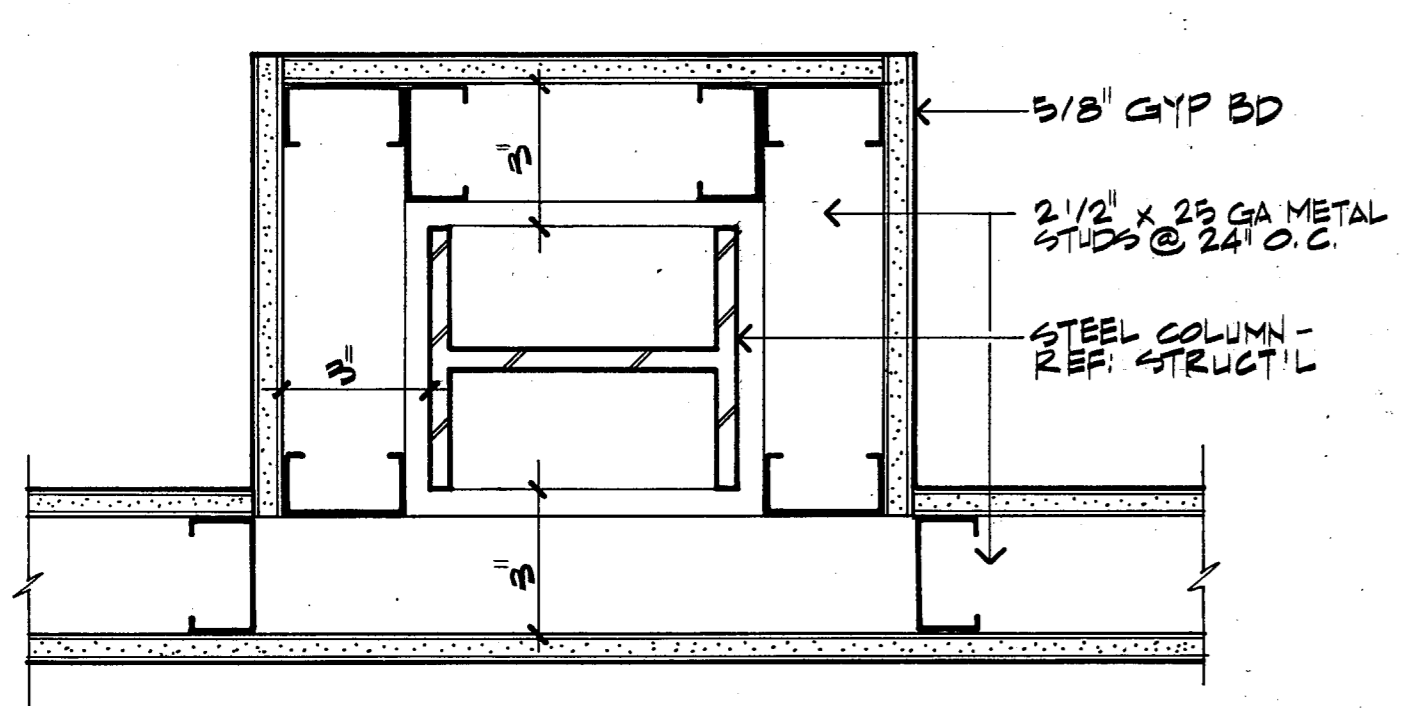
10 PLAN DETAIL
A4.3 3" = 1'-0"



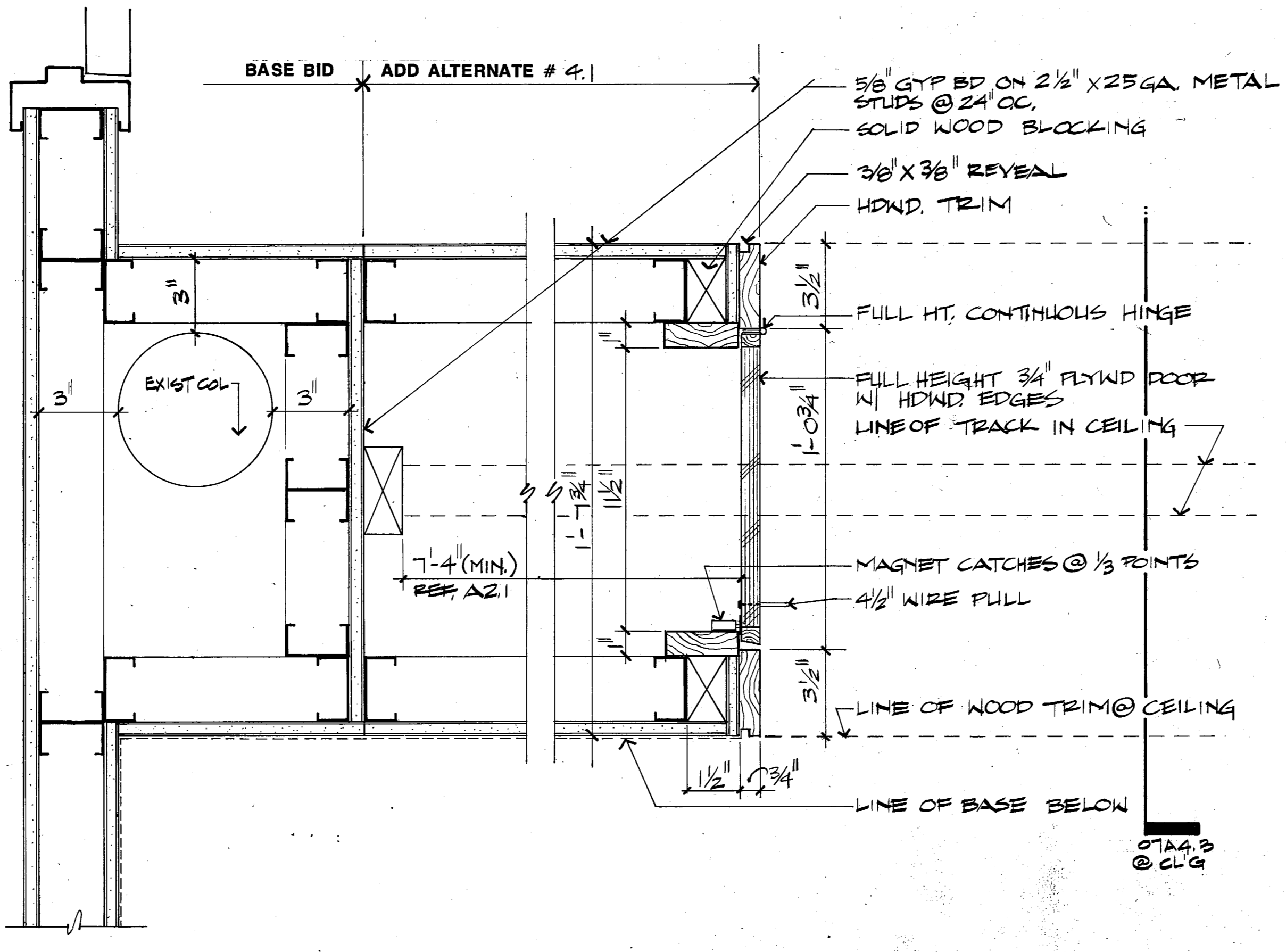
07 HEAD DETAIL - ADD ALT. # 4.1
A4.3 3" = 1'-0"



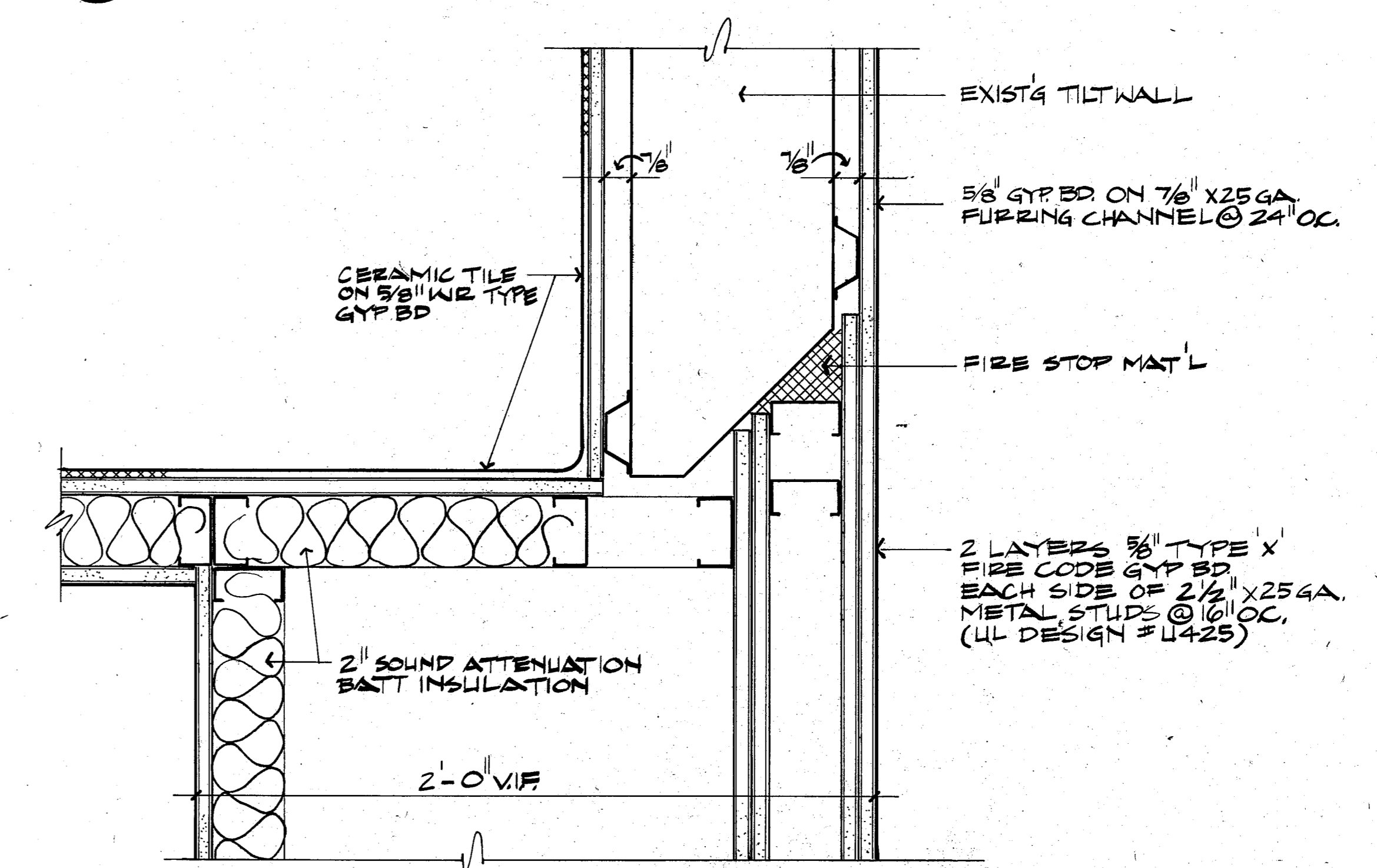
02 PLAN DETAIL
A4.3 3" = 1'-0"



09 PLAN DETAIL
A4.3 3" = 1'-0"



06 PLAN DETAIL
A4.3 3" = 1'-0"



01 PLAN DETAIL
A4.3 3" = 1'-0"

ED I ARCHITECTS, INC.
ARCHITECTURE PLANNING ENGINEERING INTERIOR DESIGN
8440 WALNUT HILL LANE
SUITE 100 BEAUG 75231
AUSTIN, TEXAS 78751
512 / 750-1945 512 / 488-8308

TOWN OF ADDISON

ADDITION TO PUBLIC WORKS SERVICE CENTER
Addison Texas
Westgrove Road

DATE: 5-16-86
11 JUNE 86
24 JULY 1986 - BID

SHEET NO:
A4.3
OF SHEETS
JOB NO: 851-97