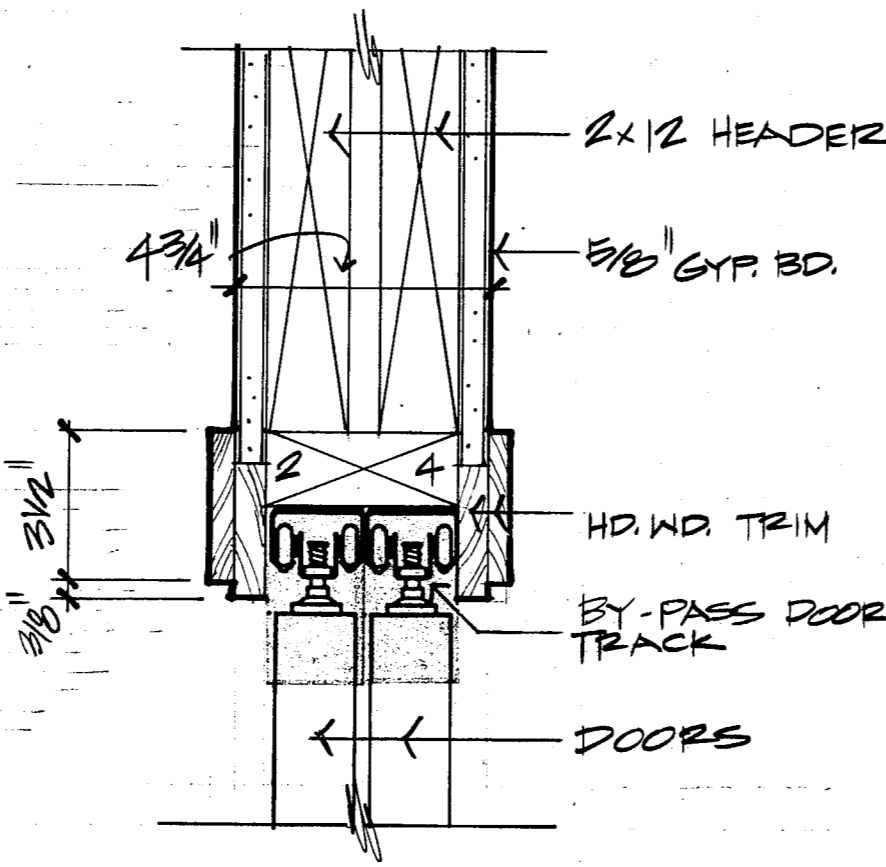
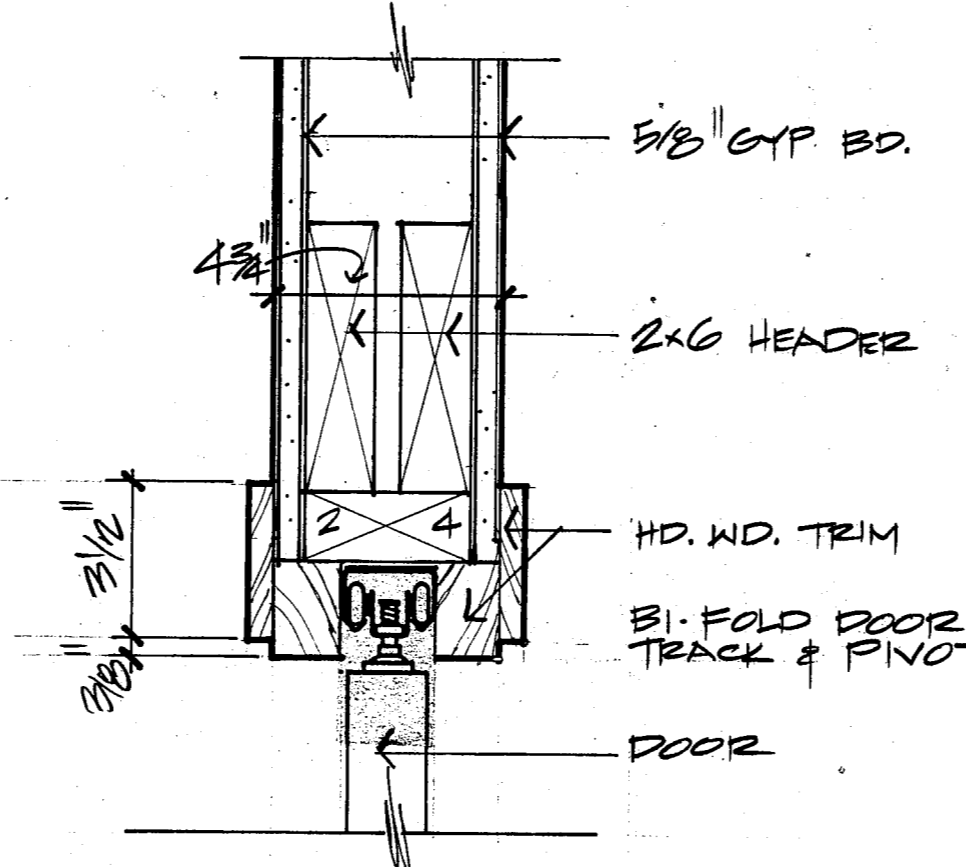


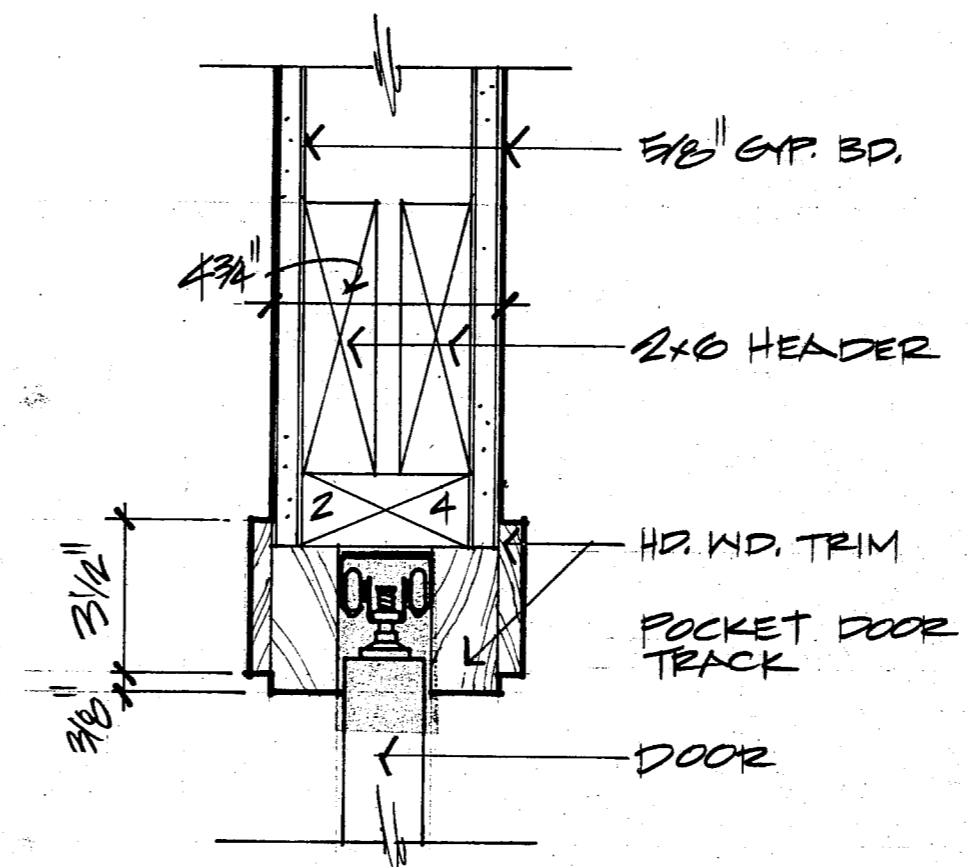
**07 PLAN DETAIL**  
 A4.4 3' = 1'-0"



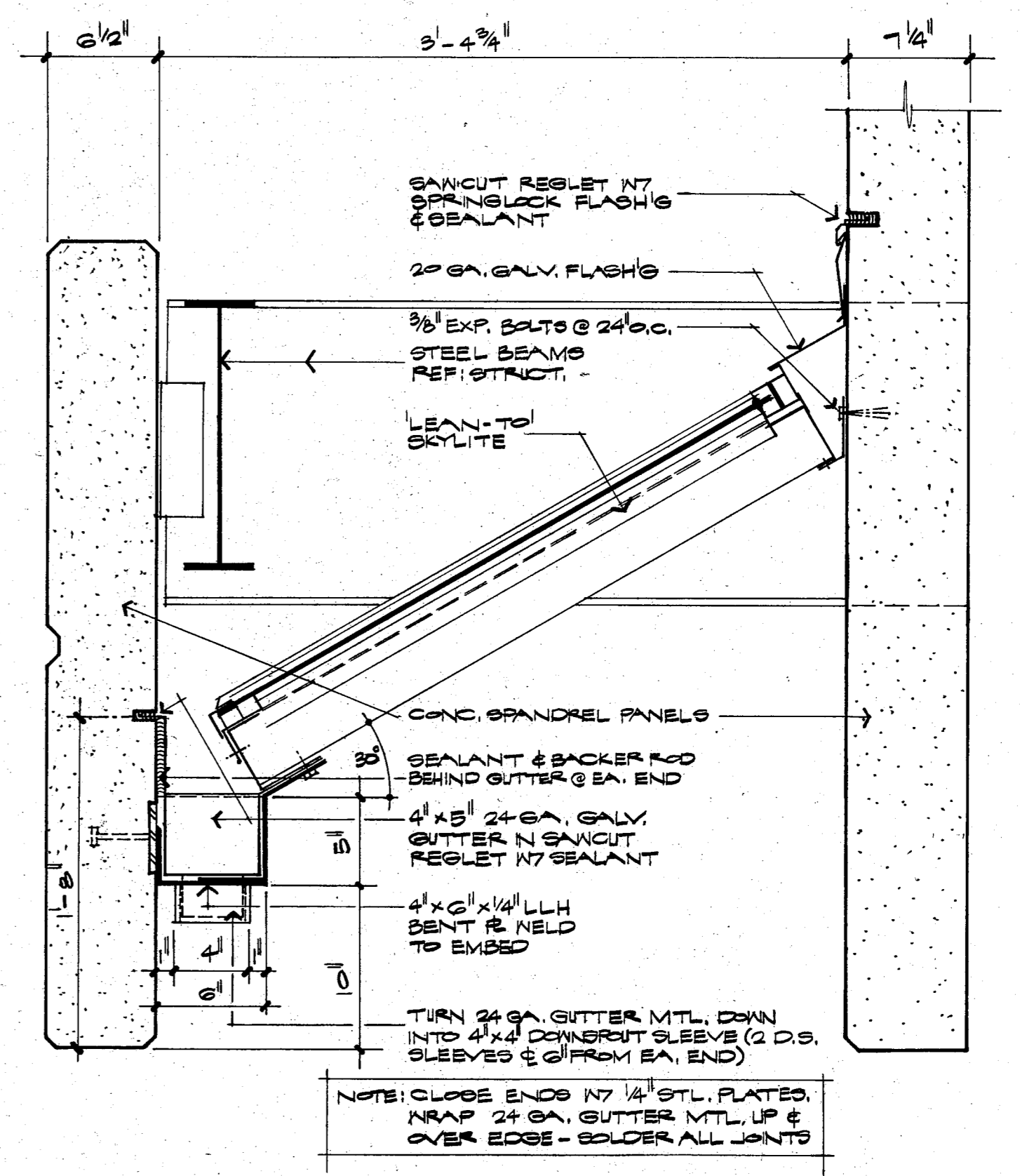
**08 HEAD DETAIL**  
 A4.4 3' = 1'-0"



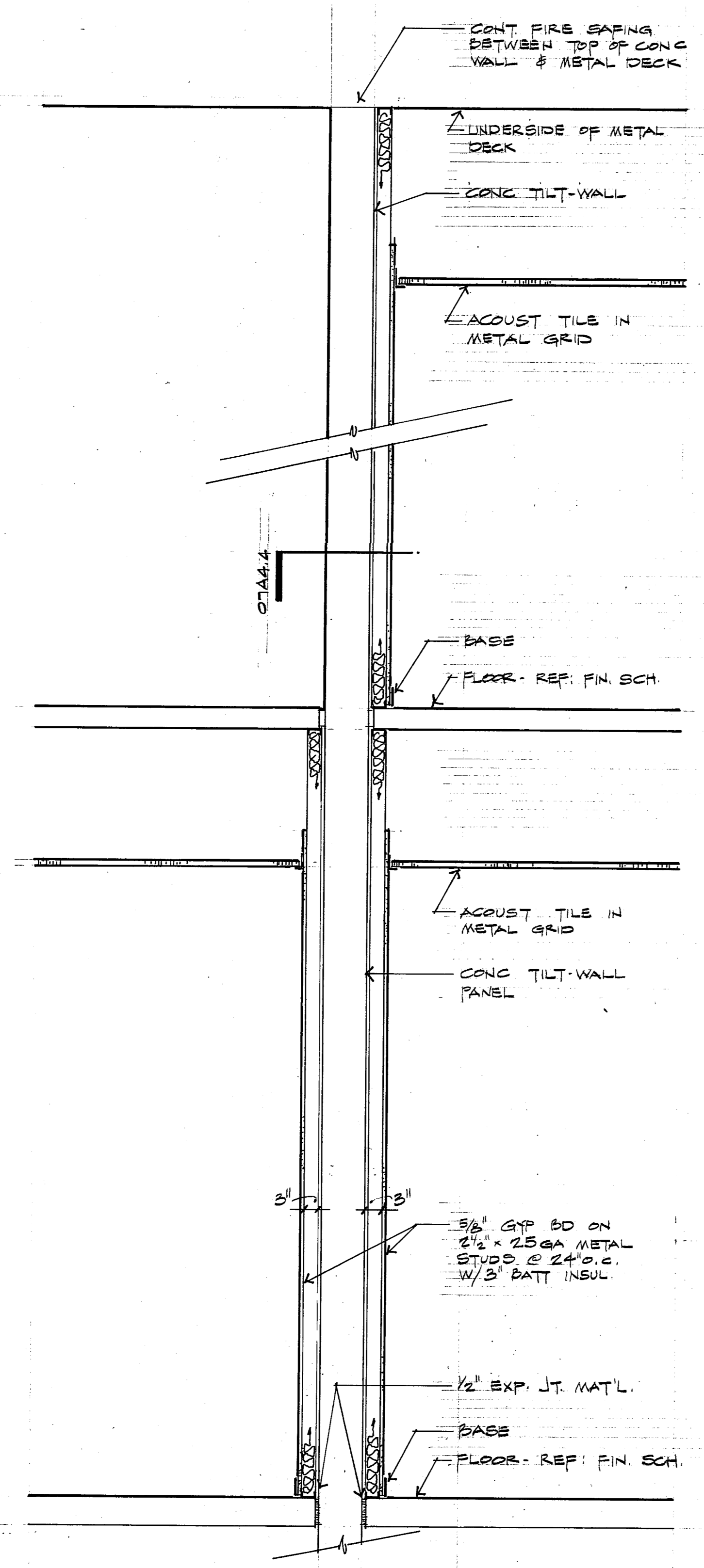
**09 HEAD DETAIL**  
 A4.4 3' = 1'-0"



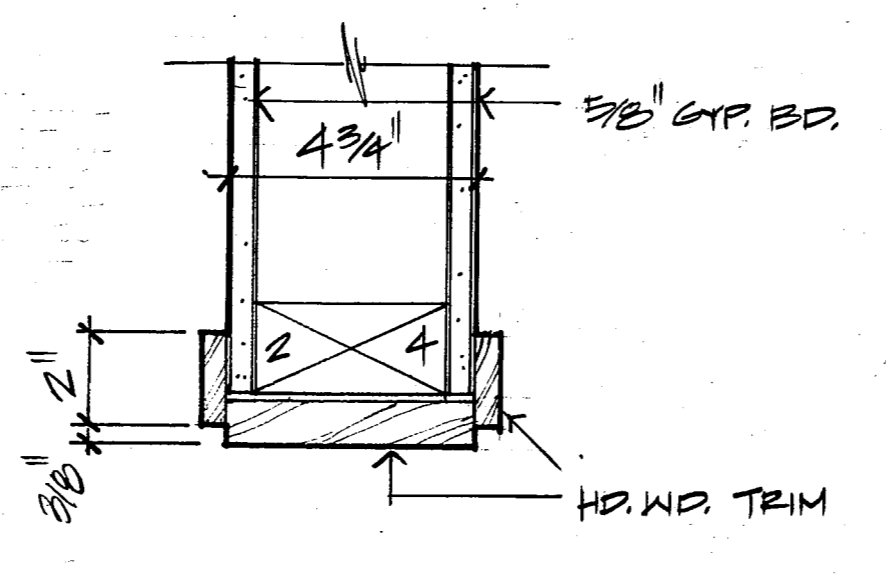
**10 HEAD DETAIL**  
 A4.4 3' = 1'-0"



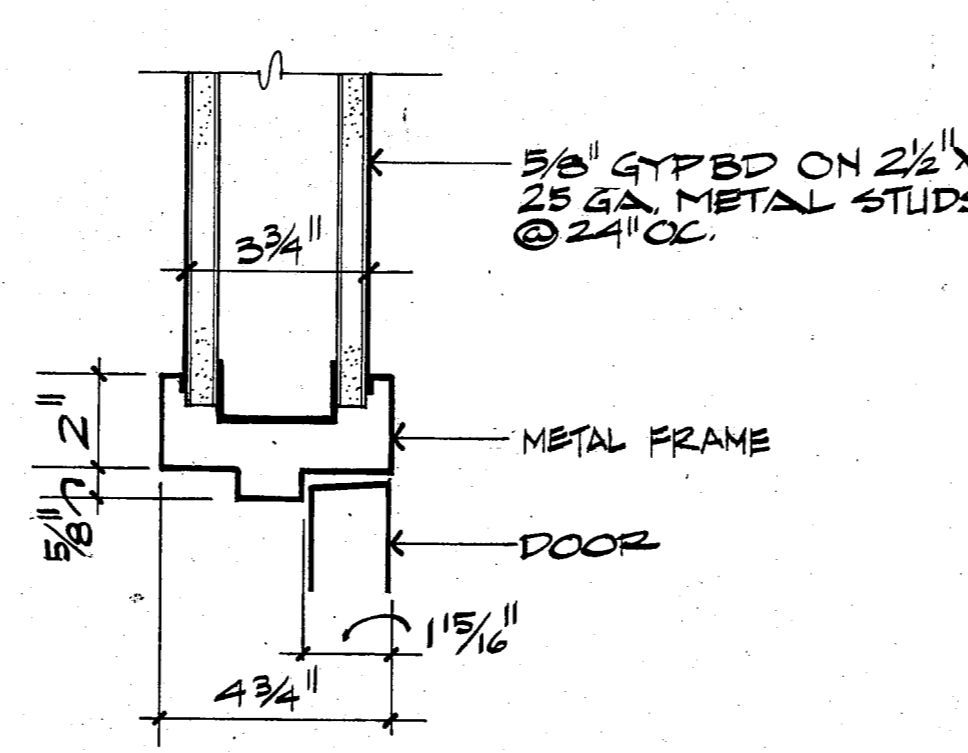
**04 SKYLIGHT DETAIL**  
 A4.4 1 1/2' = 1'-0"



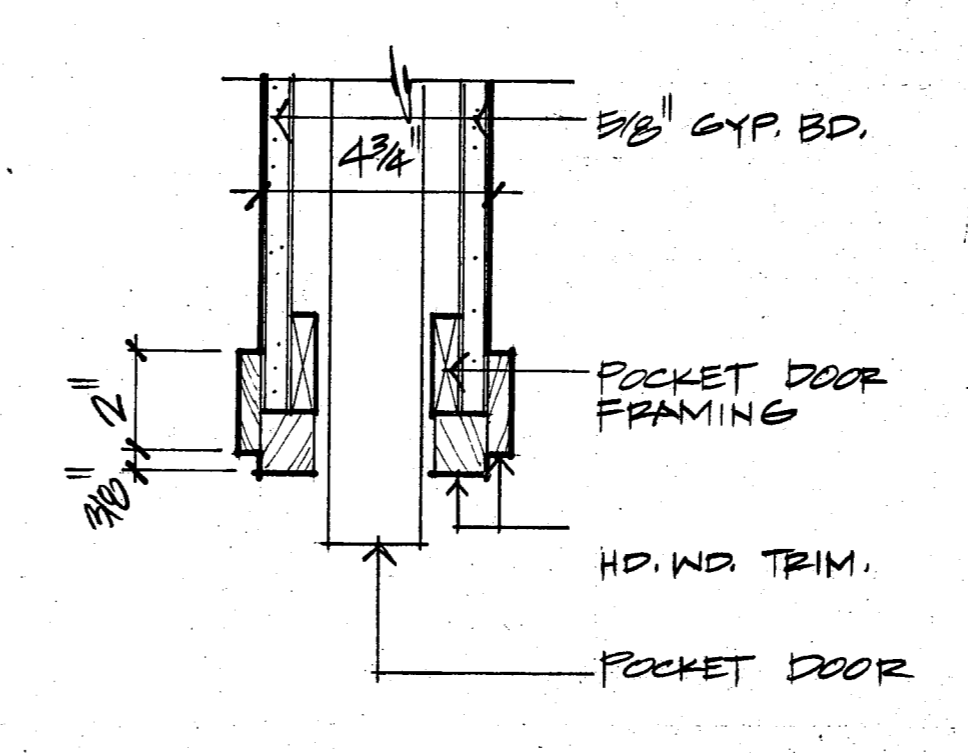
**06 WALL SECTION**  
 A4.4 3/4' = 1'-0"



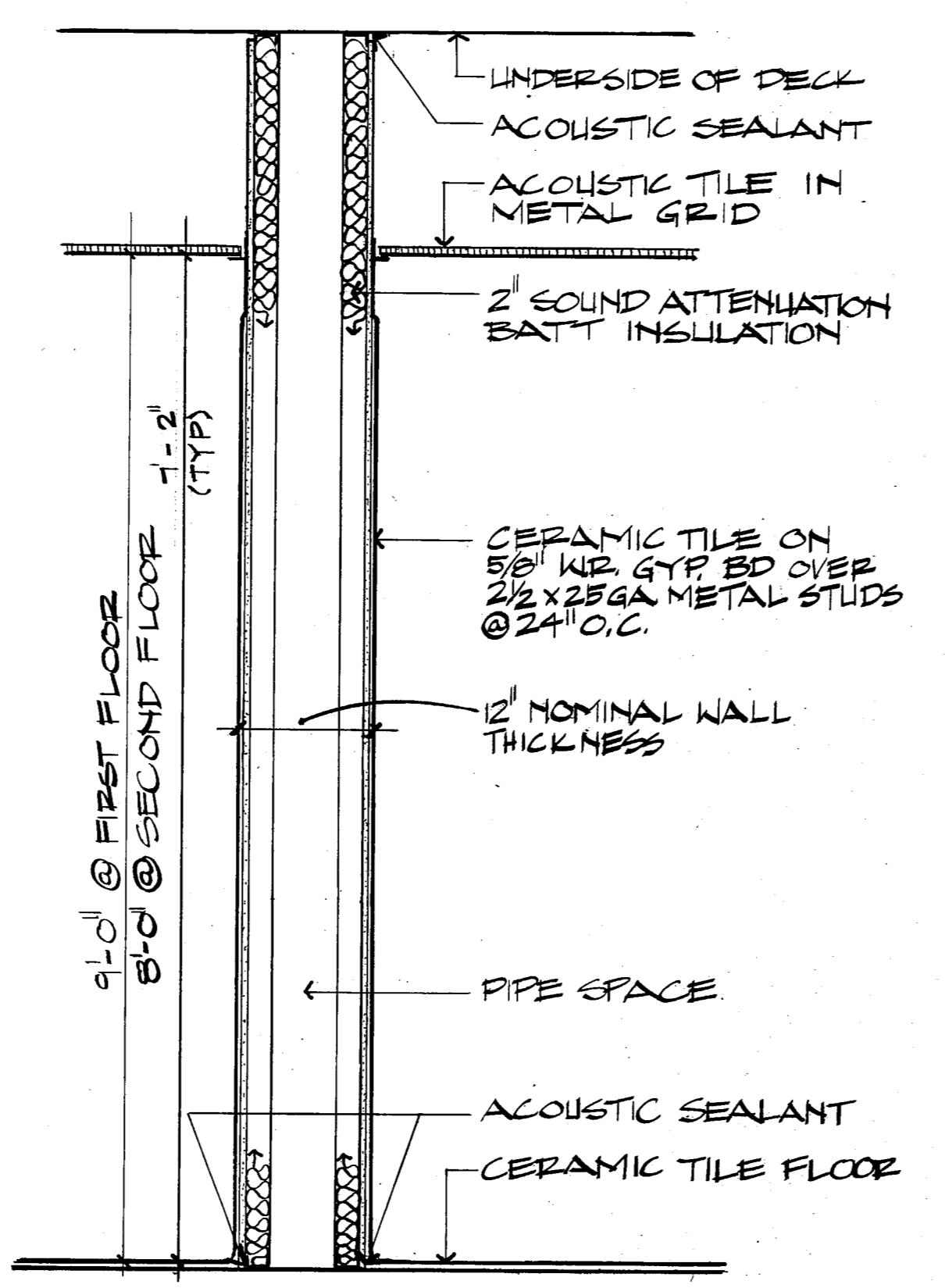
**11 JAMB DETAIL**  
 A4.4 3' = 1'-0"



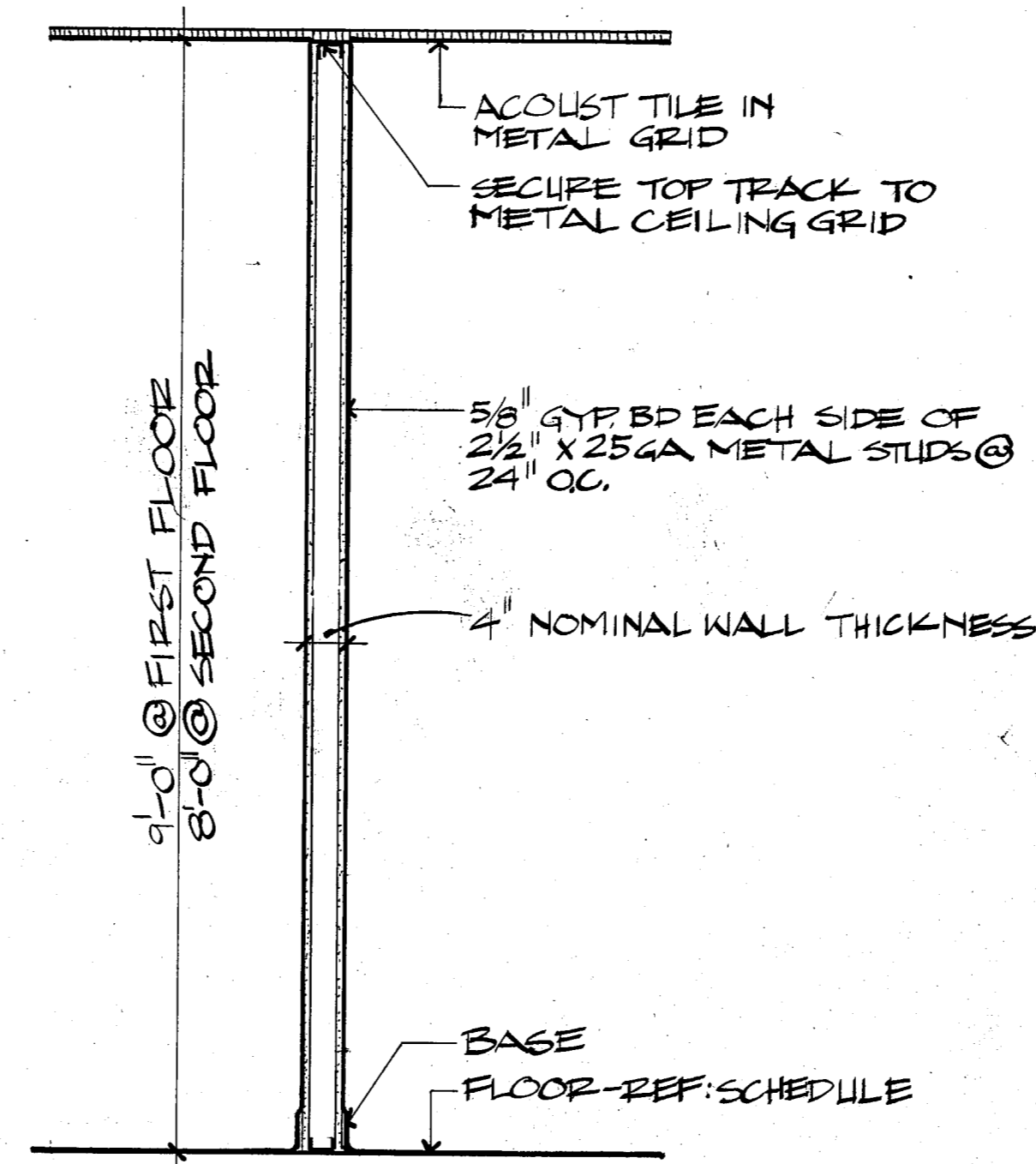
**05 HEAD - JAMB SIMILAR**  
 A4.4 3' = 1'-0"



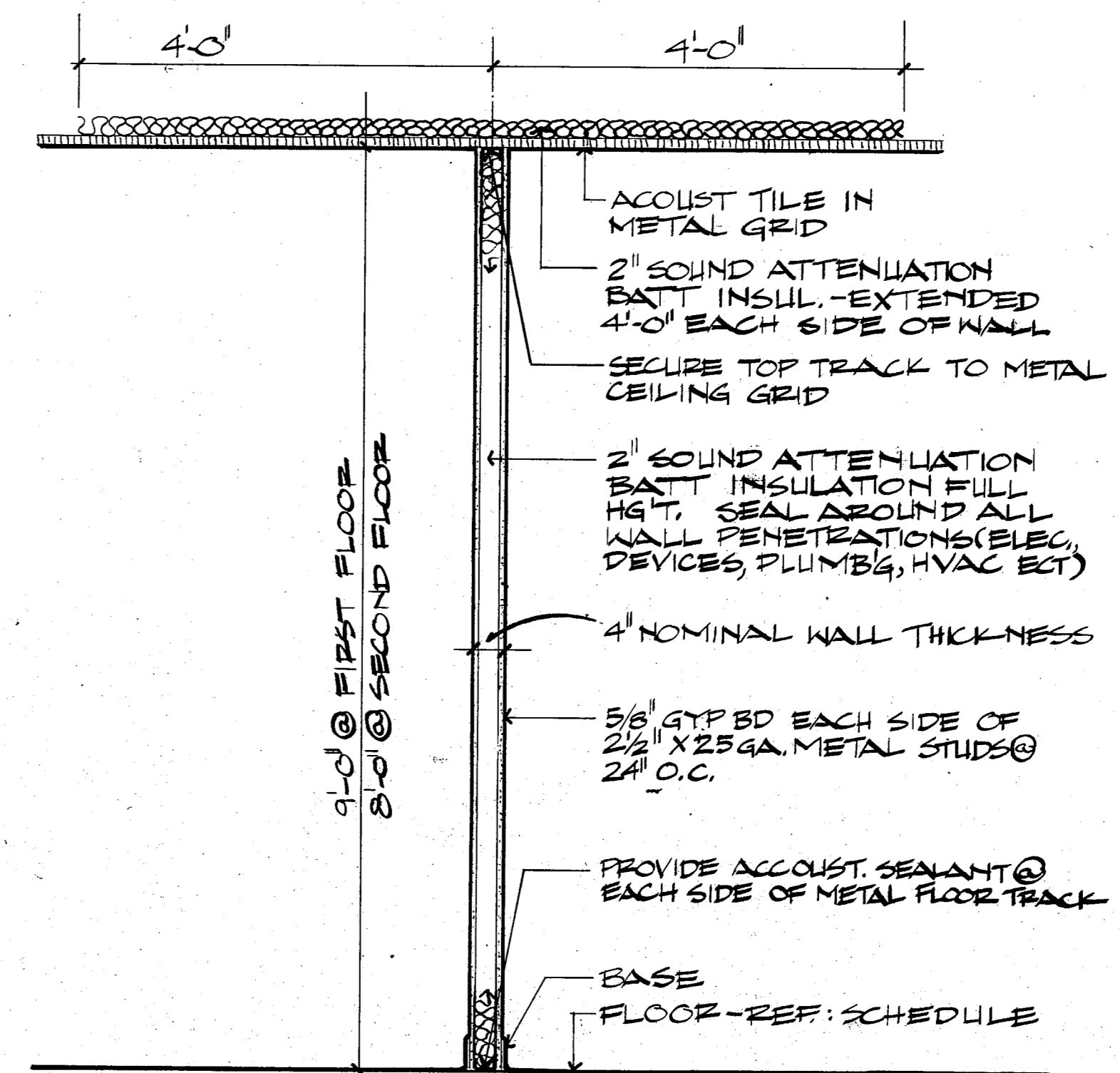
**12 JAMB DETAIL**  
 A4.4 3' = 1'-0"



**03 WALL SECTION**  
 A4.4 3/4' = 1'-0"



**02 WALL SECTION**  
 A4.4 3/4' = 1'-0"



**01 WALL SECTION**  
 A4.4 3/4' = 1'-0"

TOWN OF ADDISON  
 BUILDER'S COPY OF PLANS  
 This set of plans contains various corrections and comments made by the City Staff. All trades will be required to comply with these corrections and comments; failure to inform all trades of this information will not be accepted as reason to approve construction which is in violation of local ordinances.  
 This set of plans is to be kept on the job site at all times and is to be made available for use by city inspectors at their request. Failure to have these plans available may delay approval of a requested inspection.

**EDI ARCHITECTS, INC.**  
 ARCHITECTURE PLANNING ENGINEERING INTERIOR DESIGN  
 AMERICAN BANK TOWER  
 SUITE 300  
 9040 WALNUT HILL LANE  
 AUSTIN, TX 78751  
 512 / 459-7309

TOWN OF  
**ADDISON**

**ADDITION TO  
 PUBLIC WORKS SERVICE CENTER**  
 Westgrove Road  
 Addison Texas

DATE: 5-16-86  
 11 JUNE 86  
 24 JULY 1986 - BID

SHEET NO:  
**A4.4**  
 OF SHEET  
 JOB NO: 851-13