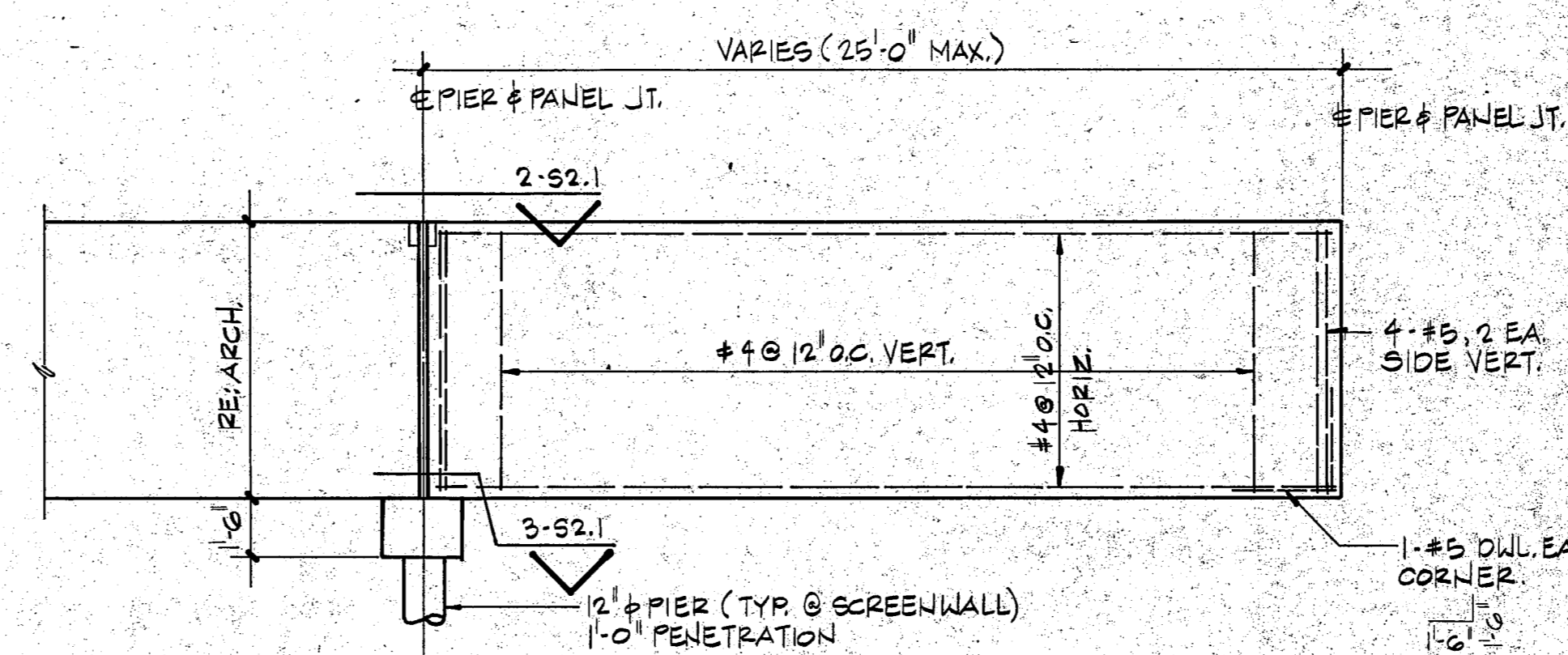
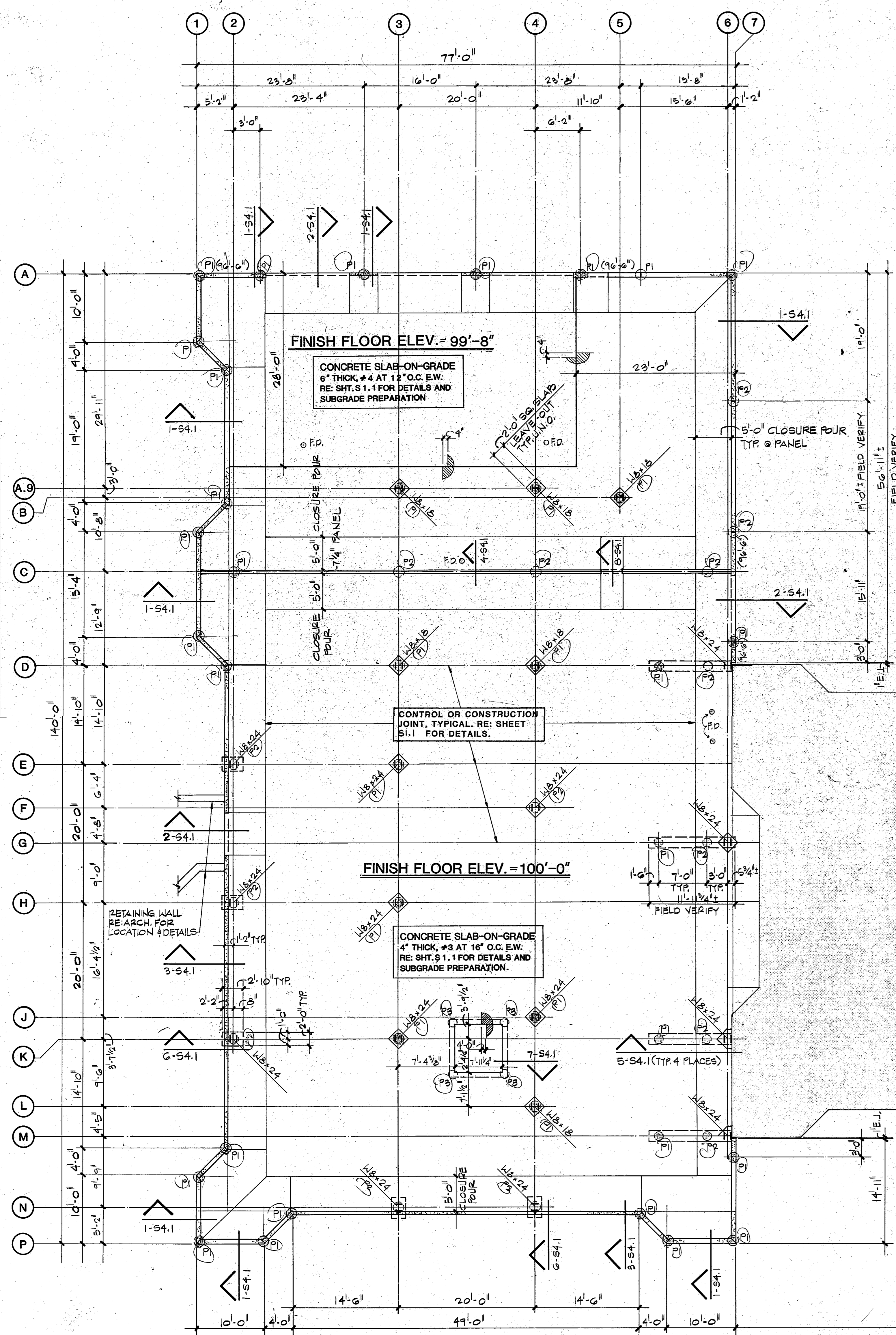
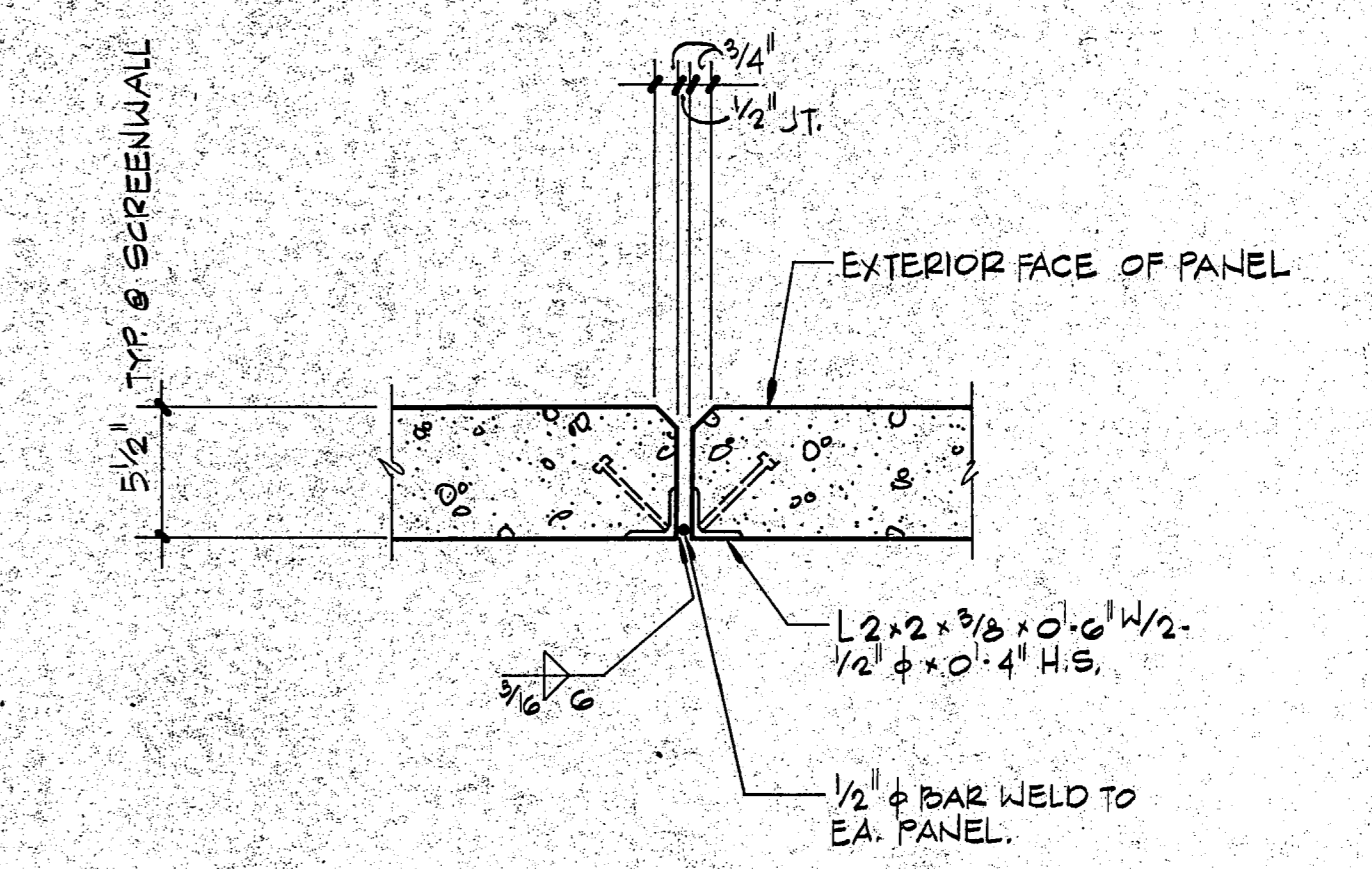


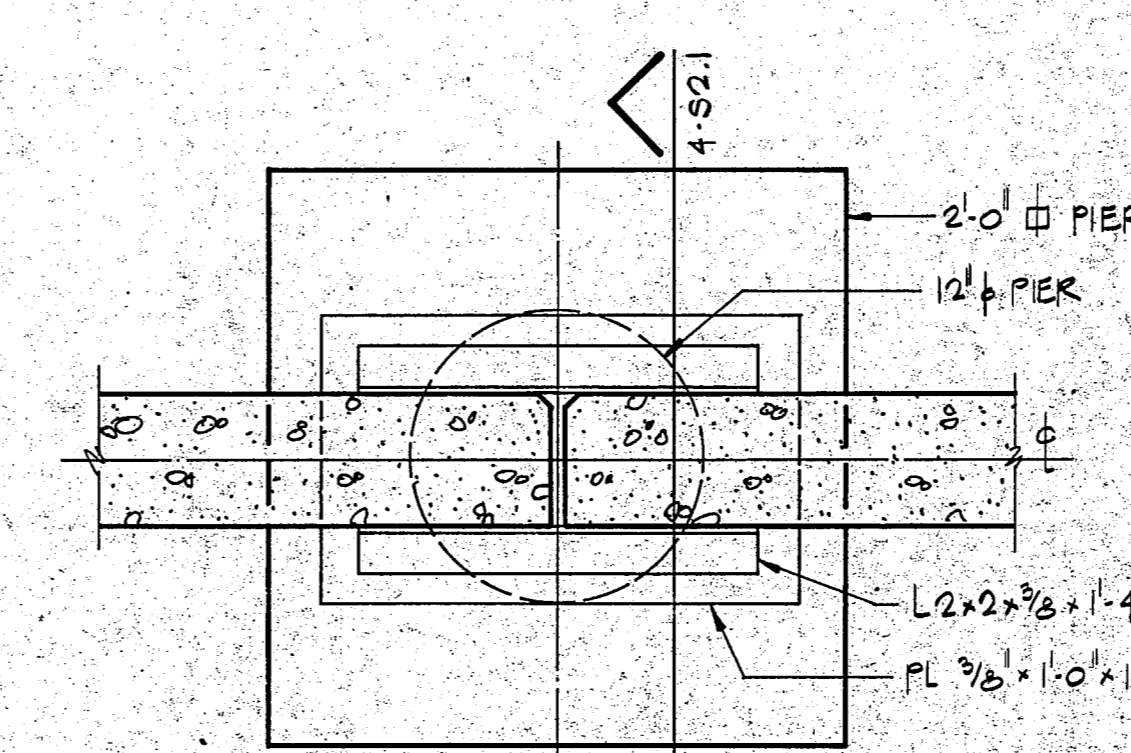
A B C D E F G H I J K L M N O P Q R S T U V W X Y Z AA BB CC DD EE FF GG HH II JJ KK LL MM NN OO PP QQ RR SS TT UUU VV WW XX YY ZZ



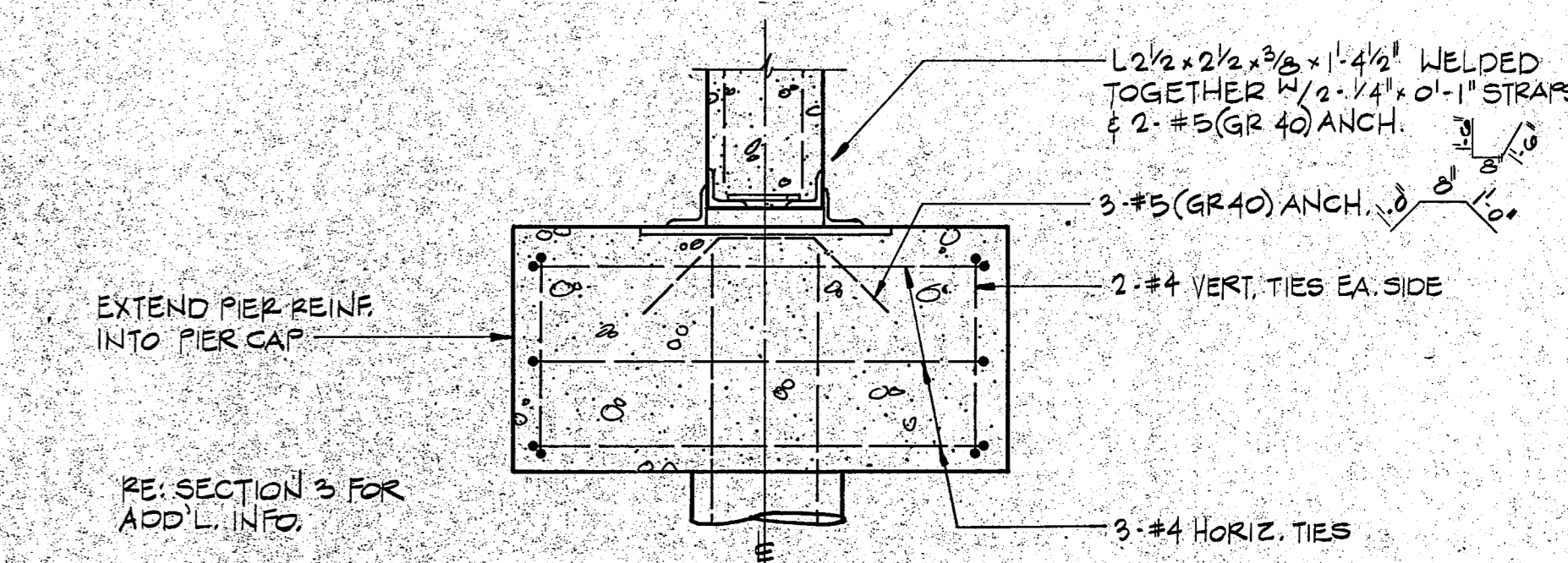
1 **TYPICAL SCREEN WALL ELEVATION**  
NOT TO SCALE



2 **SECTION**  
SCALE: 1 1/2" = 1'-0" TYP.



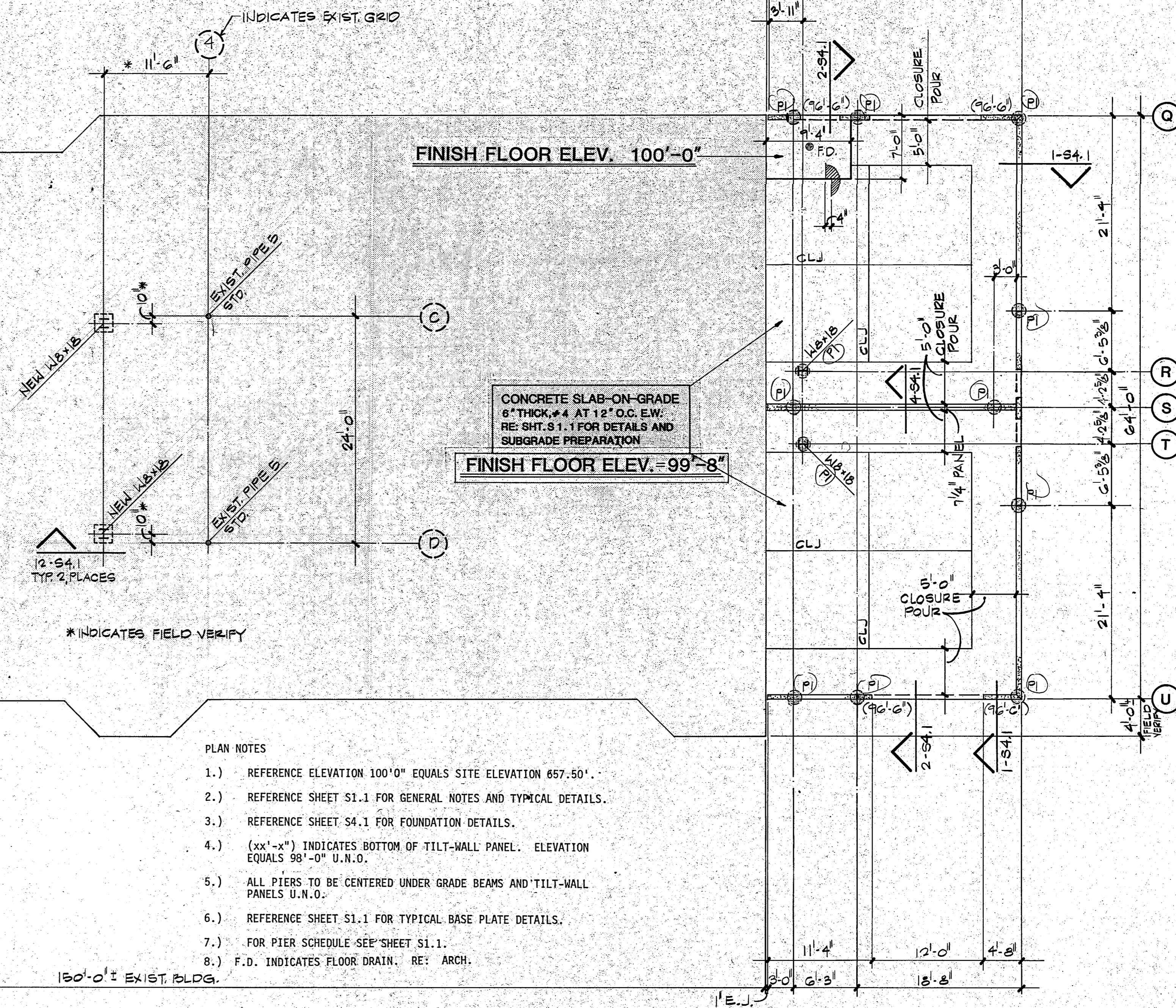
3 **SECTION**



4 **SECTION**

**TOWN OF ADDISON**  
BUILDER'S COPY OF PLANS  
This set of plans contains various corrections and comments made by the City Staff. All trades will be required to comply with these corrections and comments. Failure to inform all trades of this information will not be accepted as a reason to approve construction which is in violation of local ordinances. The set of plans is to be kept on the job site at all times and is to be made available for use by city inspectors at their request. Failure to have these plans available may delay approval of a requested inspection.

EXISTING BLDG.  
FIN. FLR. ELEV. = 100'-0"



- PLAN NOTES**
- 1.) REFERENCE ELEVATION 100'-0" EQUALS SITE ELEVATION 657.50'
  - 2.) REFERENCE SHEET S1.1 FOR GENERAL NOTES AND TYPICAL DETAILS.
  - 3.) REFERENCE SHEET S4.1 FOR FOUNDATION DETAILS.
  - 4.) (xx'-x") INDICATES BOTTOM OF TILT-WALL PANEL. ELEVATION EQUALS 98'-0" U.N.O.
  - 5.) ALL PIERS TO BE CENTERED UNDER GRADE BEAMS AND TILT-WALL PANELS U.N.O.
  - 6.) REFERENCE SHEET S1.1 FOR TYPICAL BASE PLATE DETAILS.
  - 7.) FOR PIER SCHEDULE SEE SHEET S1.1.
  - 8.) F.D. INDICATES FLOOR DRAIN. RE: ARCH.

**FIRST FLOOR & FOUNDATION PLAN**  
SCALE: 1/8" = 1'-0"

PRELIMINARY DRAWING  
NOT TO BE USED FOR CONSTRUCTION

**INTERFIELD ENGINEERING CO.**  
CONSULTING ENGINEERS  
5401 N. CENTRAL EXPWY.  
SUITE 340  
DALLAS, TEXAS 75205  
(214) 528-8854

**EDI ARCHITECTS, INC.**  
ARCHITECTURE PLANNING ENGINEERING INTERIOR DESIGN  
AMERICAN BANK TOWER  
SUITE 300  
DALLAS, TEXAS 75201  
614 / 750-1858  
614 / 486-8300

**TOWN OF ADDISON**

**ADDITION TO PUBLIC WORKS SERVICE CENTER**  
Addison Texas  
Westgrove Road

DATE:  
11 JUNE 96  
24 JULY 1996 - BID

SHEET NO:  
**S2.1**  
OF SHEETS  
JOB NO: 851-137