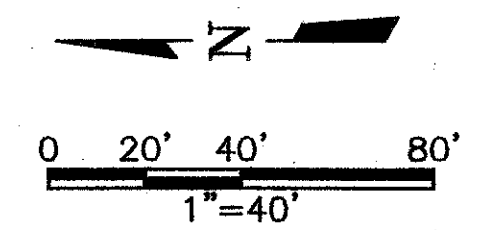


5" CURB OPENING, TRANSITION CURB FROM 6" TO 0" IN 1 FOOT, EACH SIDE. CENTER OF OPENING COORDINATES FACE OF CURB
 N=5272.55
 E=5192.51



RECORD DRAWING
 MADE BY THE ENGINEER
 SUPPLIED BY THE CONTRACTOR
 DATE: 3-5-99 TO: THH

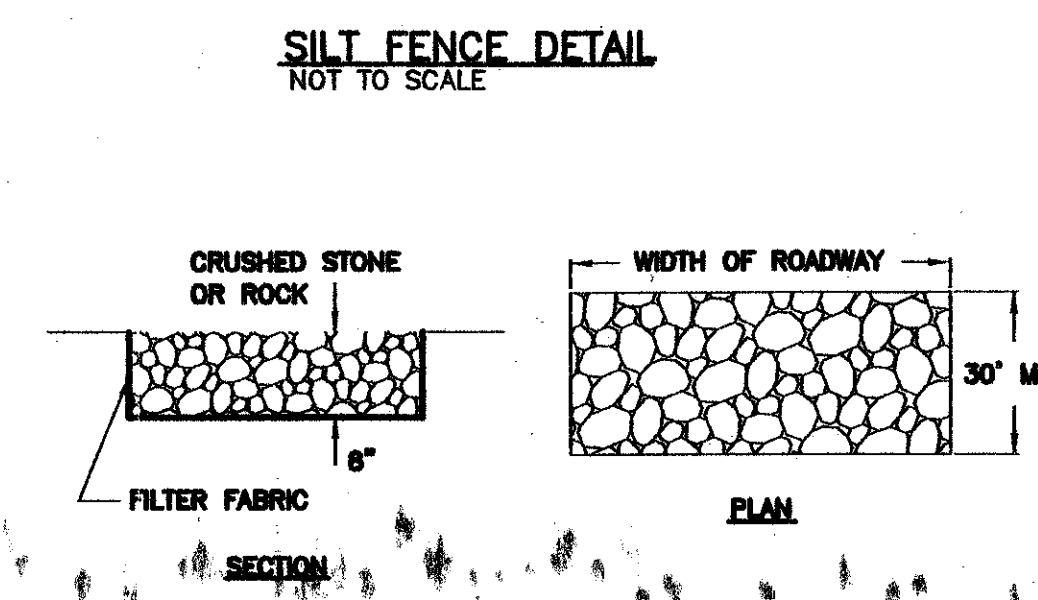
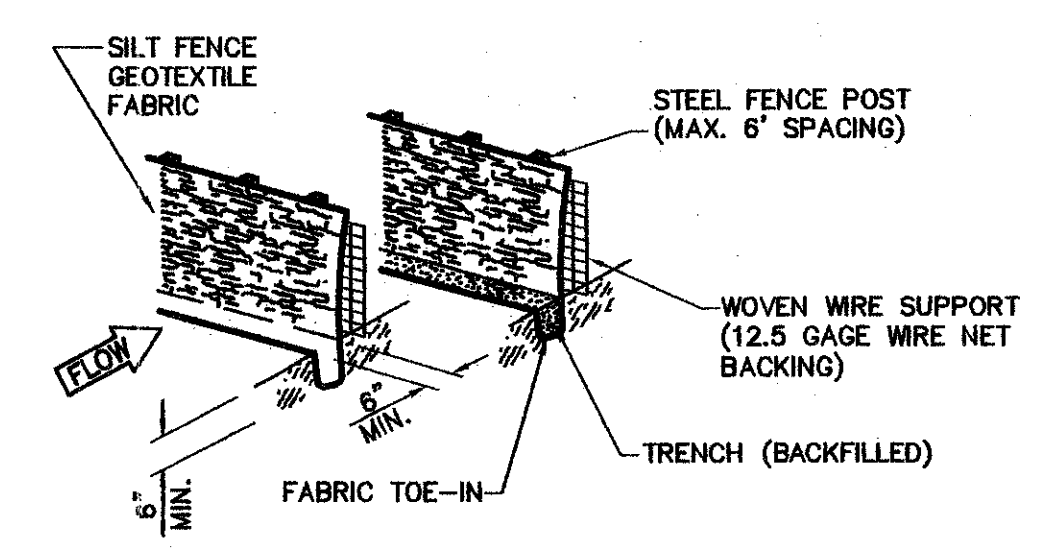


BENCHMARK:
 SQUARE CUT ON INLET AT S.W. CORNER OF SOJOURN DR. AND ADDISON RD. ELEV. 641.95

FRESE & NICHOLS
 1341 W. McLaughlin Lane, Suite 230-E
 Dallas, Texas 75247
 214-920-2500

GRADING & EROSION CONTROL NOTES:

- THE GRADES AROUND THE BUILDING SHALL SLOPE AWAY FROM THE BUILDING AS SHOWN ON THE GRADING PLAN.
- THE TOP 6" OF THE SUBGRADE PAVEMENT SHOULD BE UNIFORMLY COMPACTED TO A MINIMUM OF 95 PERCENT OF STANDARD PROCTOR, AT OR ABOVE OPTIMUM MOISTURE. IT SHOULD BE PROTECTED AND MAINTAINED IN A MOIST CONDITION UNTIL THE PAVEMENT IS PLACED.
- AREAS OF THE SITE WHICH WILL UNDERLIE FILL OR WITHIN THE BUILDINGS SHOULD BE SCARIFIED TO A DEPTH OF 6 INCHES AND RECOMPACTED TO A MINIMUM OF 92 PERCENT AND A MAXIMUM OF 98 PERCENT OF THE MAXIMUM DENSITY AS DETERMINED BY ASTM D-698, "STANDARD PROCTOR." THE MOISTURE CONTENT SHOULD RANGE FROM +1 TO +4 PERCENTAGE POINTS ABOVE OPTIMUM.
- ON-SITE SOILS, FREE OF ROCK OR CONCRETE GREATER THAN 4 INCHES IN ANY DIMENSION AND ANY UNSUITABLE MATERIAL, MAY BE USED AS GENERAL SITE FILL.
- FILL MATERIALS SHALL BE SPREAD IN LOOSE LIFTS, LESS THAN 9 INCHES THICK, AND UNIFORMLY COMPACTED AS NOTED ABOVE.
- EXISTING SITE TOPSOIL SHALL BE STRIPPED, STOCKPILED, AND SALVAGED FOR USE AS TOPSOIL FOR FINAL GRADING. THE TOP 4 INCHES OF ALL LANDSCAPE AREAS, PARKWAYS AND ISLANDS SHALL RECEIVE TOPSOIL SALVAGED FROM ON-SITE COMPACTED TO 80 PERCENT OF ASTM D 698.
- ALL SODDING, GRASSING AND LANDSCAPING IN NON-PAVED AREAS SHALL BE AS SHOWN ON THE LANDSCAPE PLAN PROVIDED BY THE ARCHITECT.
- INTERIOR BUILDING FLOOR SLABS PLACED ON GRADE WITH A 1 FOOT CAP OF SELECT FILL, AND A 2 INCH SAND CUSHION. REFER TO STRUCTURAL PLANS AND SPECS FOR DETAILS.
- REFER TO SPECIFICATION SECTION 01568 FOR DETAILS OF EROSION CONTROL MEASURES REQUIRED BY THE CONTRACTOR.
- MUD & SILT FROM TIRES SHOULD NOT BE TRACKED ONTO ROADWAYS. A TEMPORARY WHEEL WASH STATION WILL BE REQUIRED IF NECESSARY TO MITIGATE SILT FROM GETTING ONTO THE ROADWAY.
- CONTRACTOR WILL BE RESPONSIBLE FOR COMPLYING WITH EPA'S NPDES PROGRAM FOR CONTROL OF SILT AND EROSION. CONTRACTOR SHALL FILE A NOTICE OF INTENT (NOI) WITH THE EPA PRIOR TO BEGINNING CONSTRUCTION.
- IT SHALL BE THE CONTRACTORS RESPONSIBILITY TO COMPLY WITH EPA'S NPDES REGULATIONS 40-CFR-122, 123 AND 124 CONCERNING EROSION AND SEDIMENT CONTROL.
- FRESE & NICHOLS WILL PROVIDE A STORM WATER POLLUTION PREVENTION PLAN AND STORM WATER MANAGEMENT PLAN AS REQUIRED BY THE EPA. THE INSPECTION AND MAINTENANCE OF THE EROSION PREVENTION MEASURES SHALL BE THE CONTRACTOR'S RESPONSIBILITY THROUGHOUT ALL PHASES OF CONSTRUCTION. THE CONTRACTOR WILL BE RESPONSIBLE FOR SUBMITTING A NOTICE OF TERMINATION [NOT] TO EPA AND THE OWNER UPON COMPLETION OF THE PROJECT.
- LOCATION SHOWN FOR SILT FENCES IS ONLY SCHEMATIC. LENGTH OF SILT FENCES AND LOCATIONS SHALL BE PER FINAL LOCATIONS ESTABLISHED IN THE FIELD.
- AS INLETS ARE COMPLETED, TEMPORARY SEDIMENT BARRIERS SHALL BE INSTALLED. CURB INLET PROTECTION SHALL CONSIST OF PRE-MANUFACTURED SILT FENCE WITH STEEL BACKING FABRICATED TO FIT THROAT OPENING OF INLET.
- THE SPECIFIC PLANT MATERIALS PROPOSED TO PROTECT FILL AND EXCAVATED SLOPES SHALL BE AS INDICATED ON THE LANDSCAPE PLANS. PLANT MATERIALS MUST BE SUITABLE FOR USE UNDER LOCAL CLIMATE AND SOIL CONDITIONS. IN GENERAL, HYDROSEEDING OR SODDING BERMUDA GRASS IS ACCEPTABLE DURING THE SUMMER MONTHS (MAY 1 TO AUGUST 30). WINTER RYE OR FESCUE GRASS MAY BE PLANTED DURING TIMES OTHER THAN THE SUMMER MONTHS AS A TEMPORARY MEASURE UNTIL SUCH TIME AS THE PERMANENT PLANTING CAN BE MADE.
- PRIOR TO COMMENCING ANY CONSTRUCTION, A CONSTRUCTION ENTRANCE AND PERIMETER SILT FENCE SHALL BE INSTALLED AT THE LOCATION(S) SHOWN.
- AT THE COMPLETION OF THE PAVING AND FINAL GRADING, THE DISTURBED AREA(S) SHALL BE REVEGETATED IN ACCORDANCE WITH THE LANDSCAPE PLANS.
- SILT FENCE AND INLET SEDIMENT BARRIERS SHALL REMAIN IN PLACE UNTIL REVEGETATION HAS BEEN COMPLETED.
- DISTURBED AREAS THAT ARE SEEDED OR SODDED SHALL BE CHECKED PERIODICALLY TO SEE THAT GRASS COVERAGE IS PROPERLY MAINTAINED. DISTURBED AREAS SHALL BE WATERED, FERTILIZED, AND RESEEDED OR RESODDED, IF NECESSARY.
- DURING CONSTRUCTION ANY PIPE OPENINGS SHALL BE TEMPORARILY PROTECTED WITH SILT FENCES, OR OTHER EROSION CONTROL DEVICES.



LEGEND

	EXISTING	PROPOSED
PROPERTY LINE	---	---
BUILDING LINE	---	---
CONTOUR ELEV.	50.2	50.2
TOP OF CURB ELEV.	1/2 61.30	53.50
PAVEMENT OR GROUND ELEV.	61.30	64.35
TOP OF WALL ELEV.		TW=
BOTTOM OF WALL ELEV.		BW=
TOP OF INLET ELEV.		+TOI=
FLOW LINE ELEV.		F/L=
FLOW DIRECTION		---
GRADE BREAK (G.B.)		---
SILT FENCE		X X SF X X
INLET PROTECTION		IP
STABILIZED CONSTRUCTION ACCESS		[Pattern]

OMNIPLAN ARCHITECTS
SOJOURN OFFICE CENTER
 ADDISON, TEXAS
 SITEWORK PLANS
GRADING AND EROSION CONTROL PLAN

NO. REVISION	DATE	BY	DESIGNED	DRAWN	REVIEWED	CHECKED
1	4/20/99	MDW	7-26-99	MDW		
2	8/5/99	MDW		MDW		
3	8/23/99	MDW		MDW		

VERIFY SCALE
 Bar is one inch on original drawing. If not one inch on this sheet, adjust scale.

"AS-BUILTS"