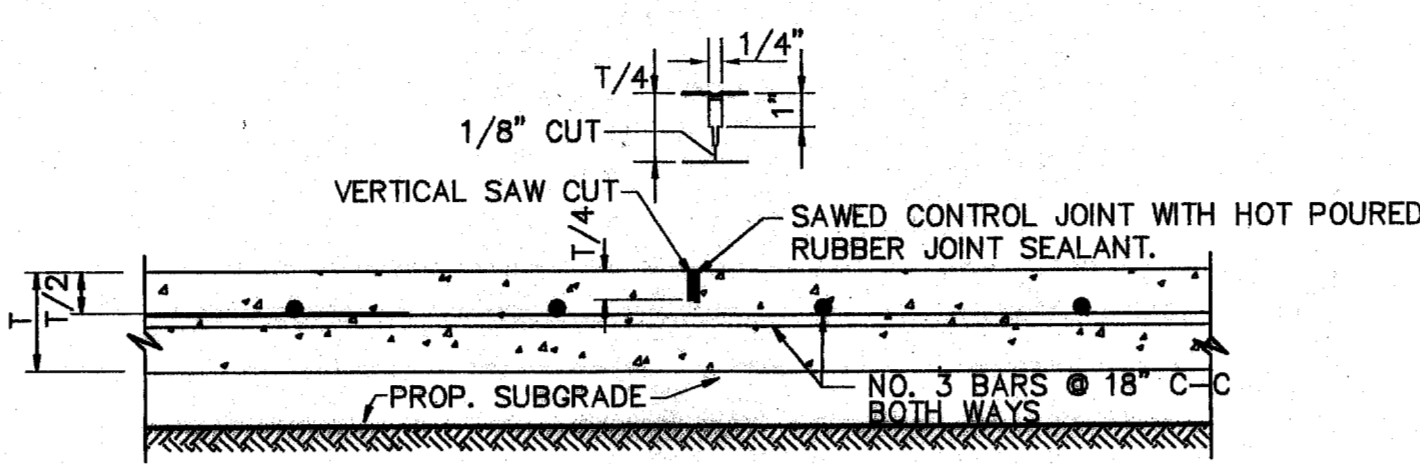
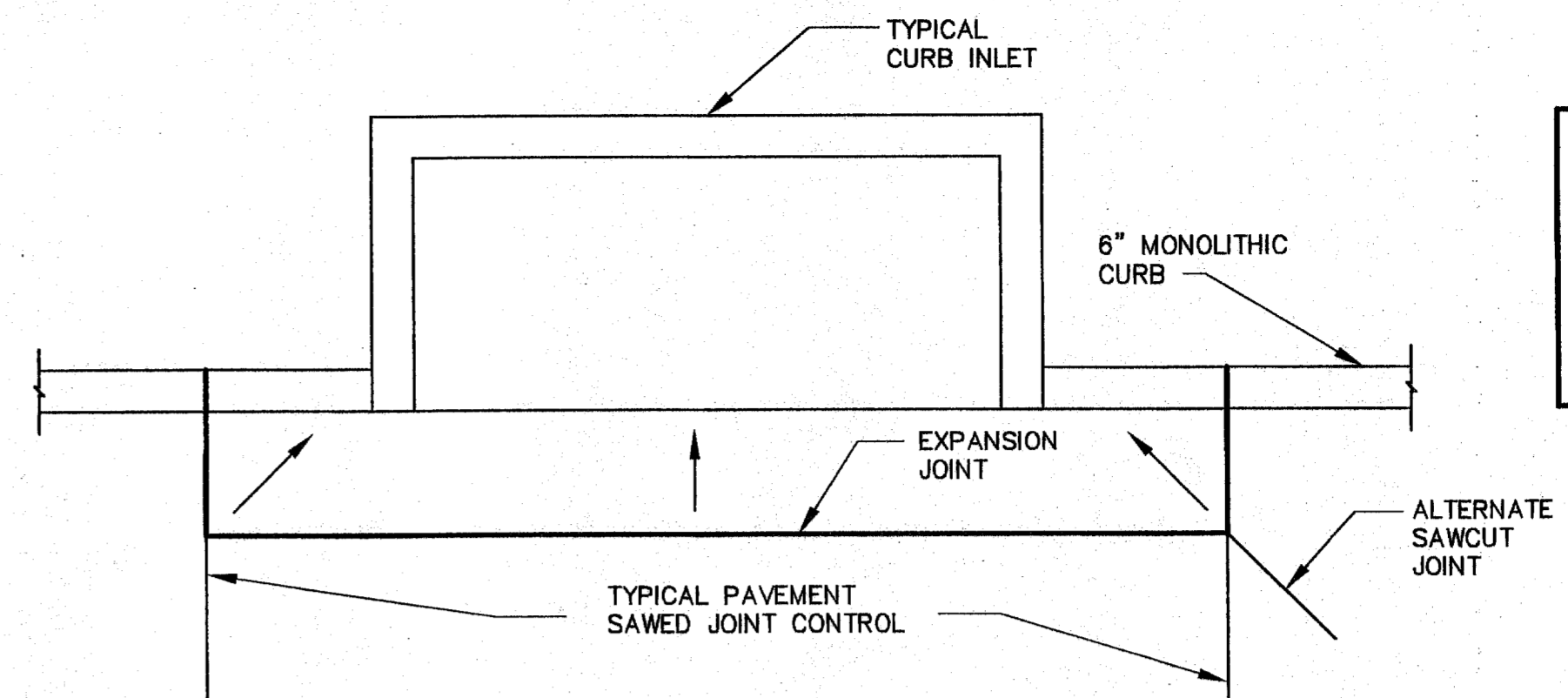


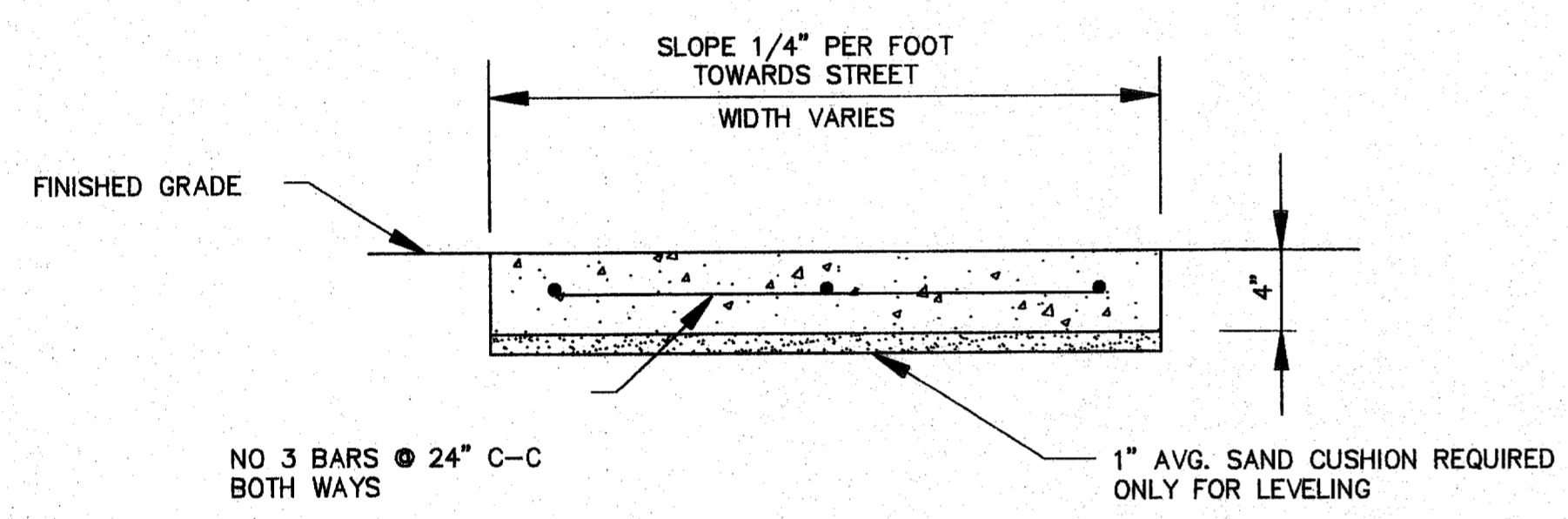
1 TYPICAL PAVING SECTION  
NOT TO SCALE



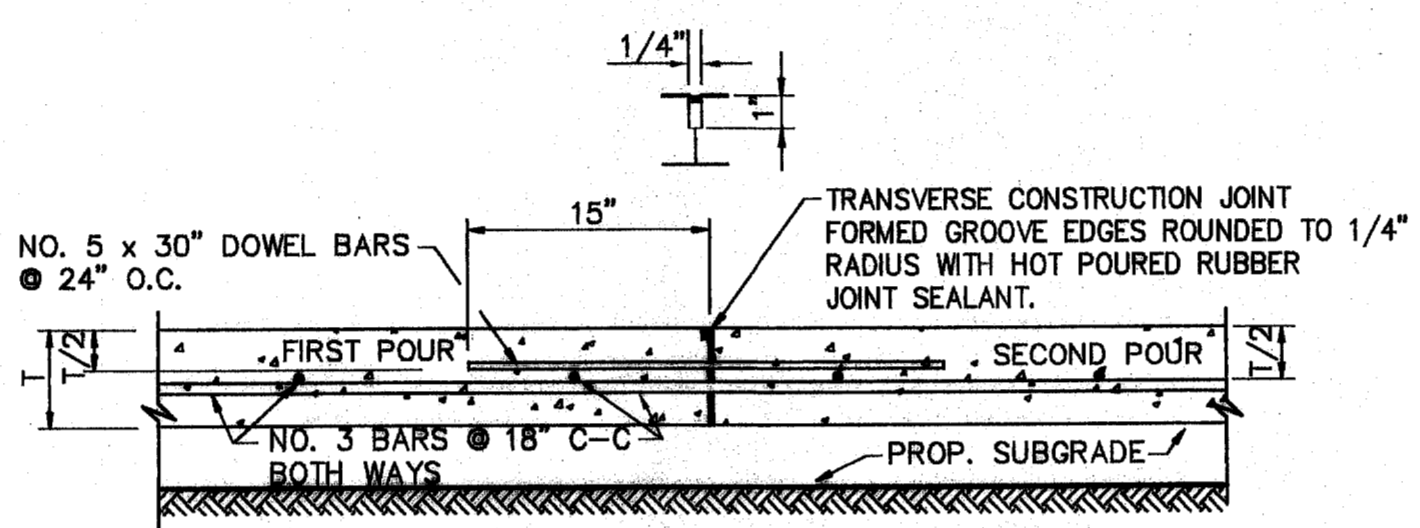
2 SAWED CONTROL JOINT  
NOT TO SCALE



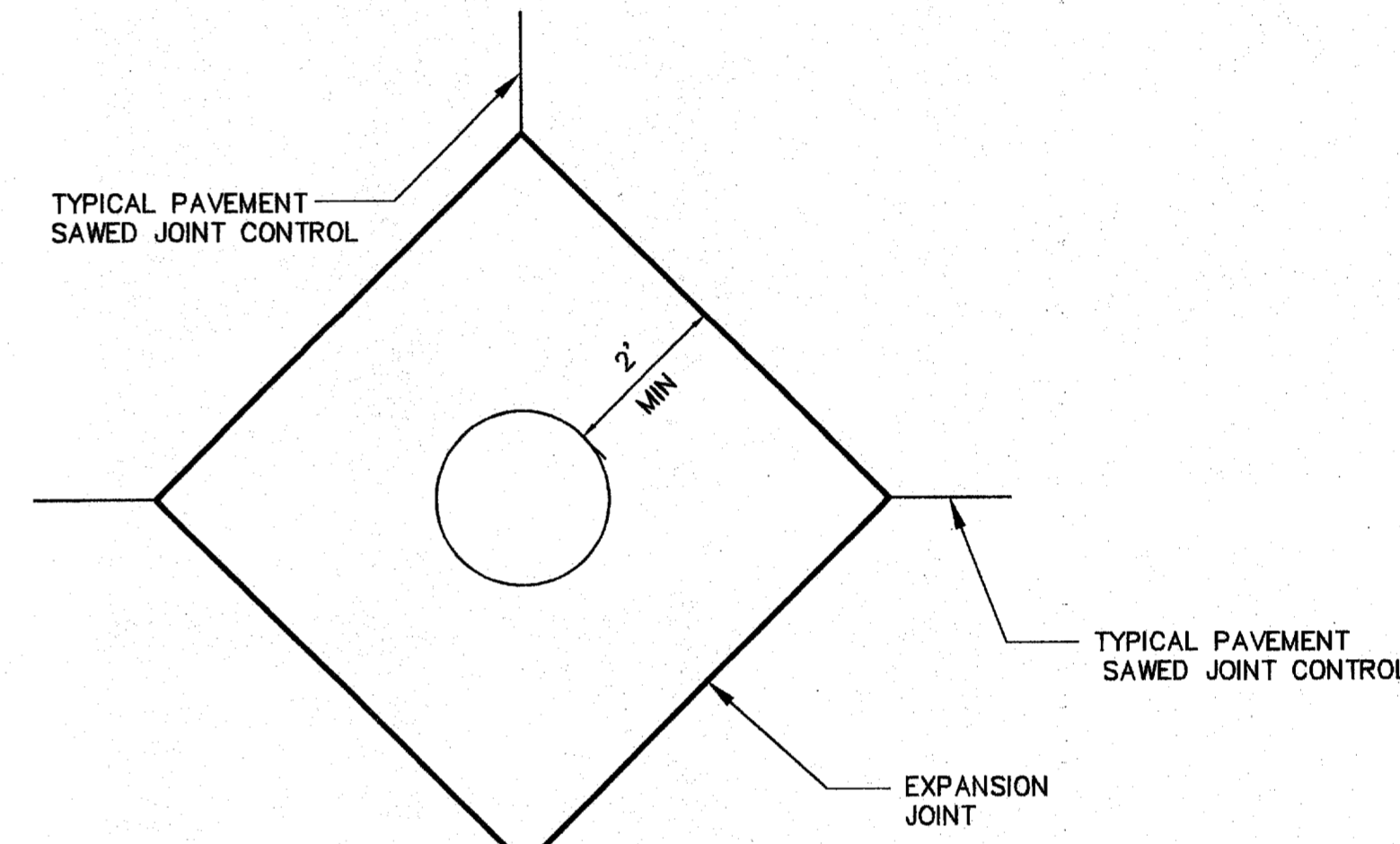
3 SAWCUT JOINTS AT CURB INLETS  
NOT TO SCALE



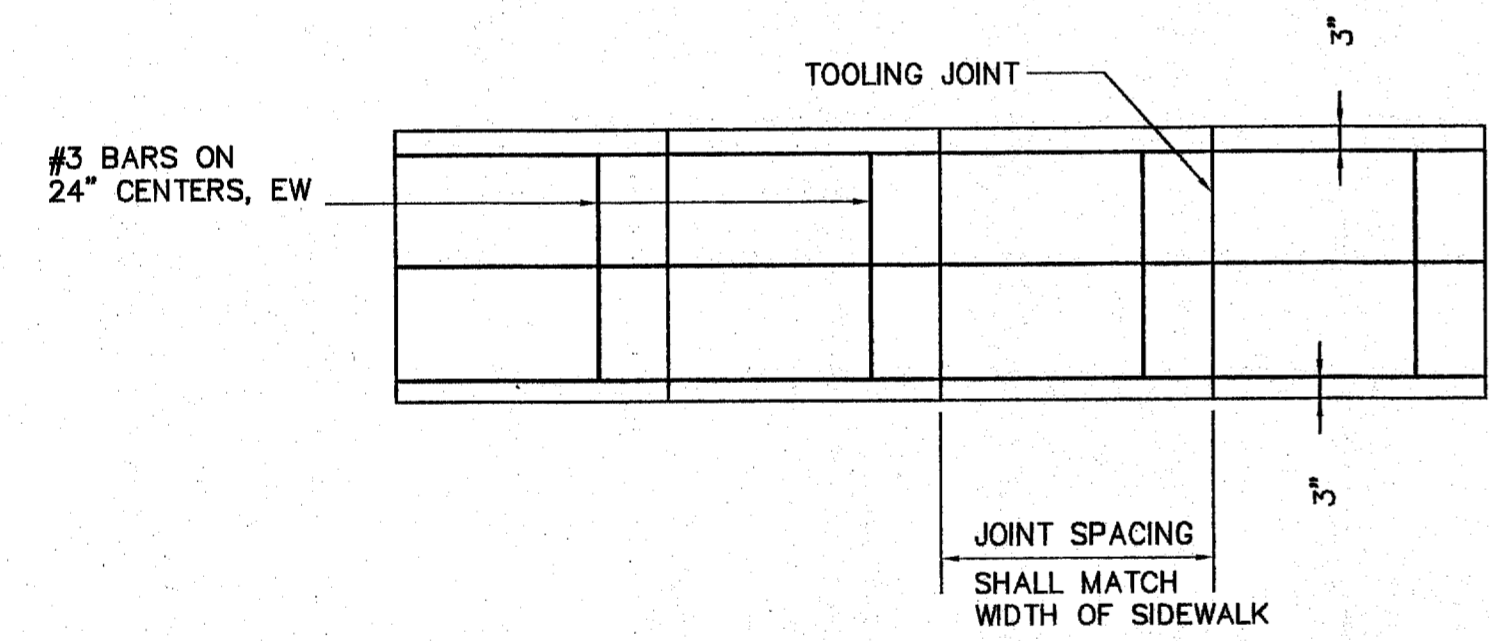
4 SIDEWALK DETAIL  
NOT TO SCALE



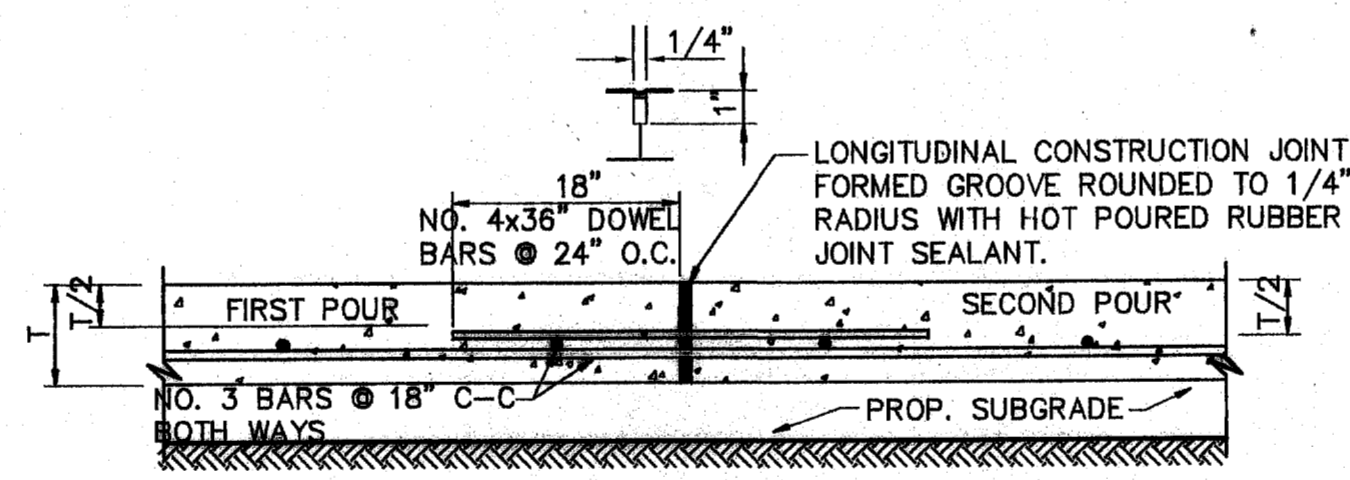
5 TRANSVERSE CONSTRUCTION JOINT  
NOT TO SCALE



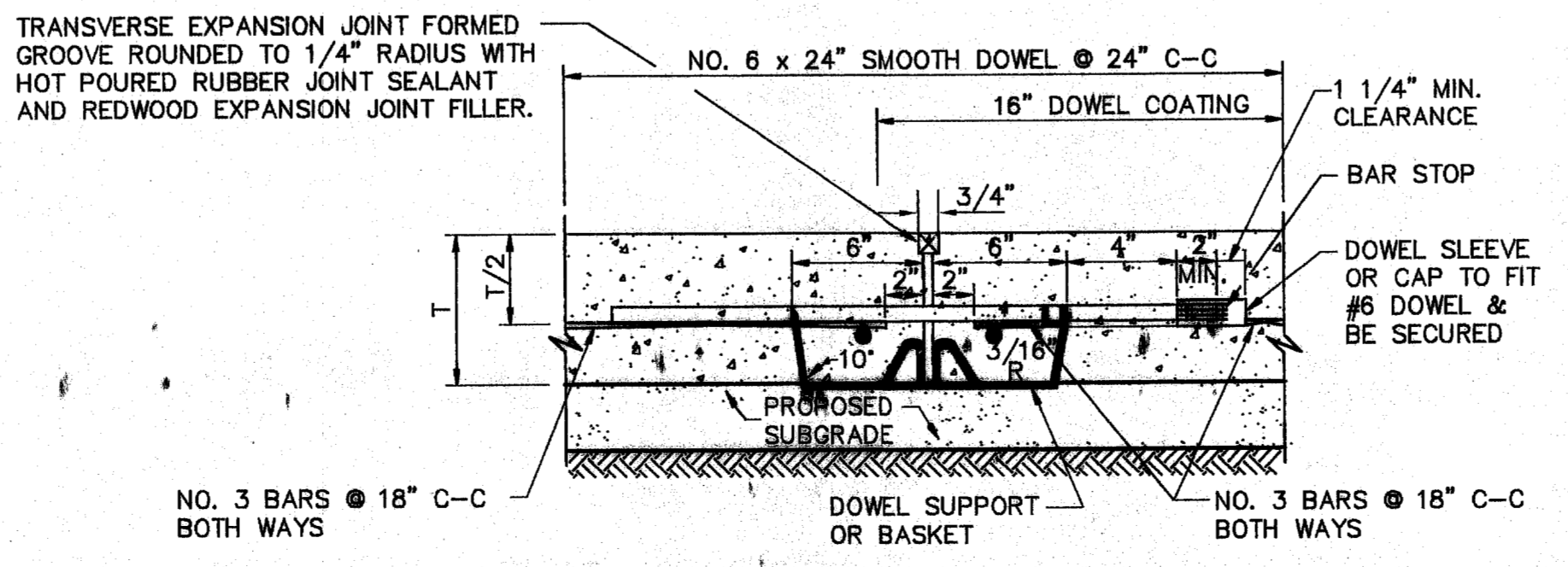
7 SAWCUT JOINTS AT MANHOLES  
NOT TO SCALE



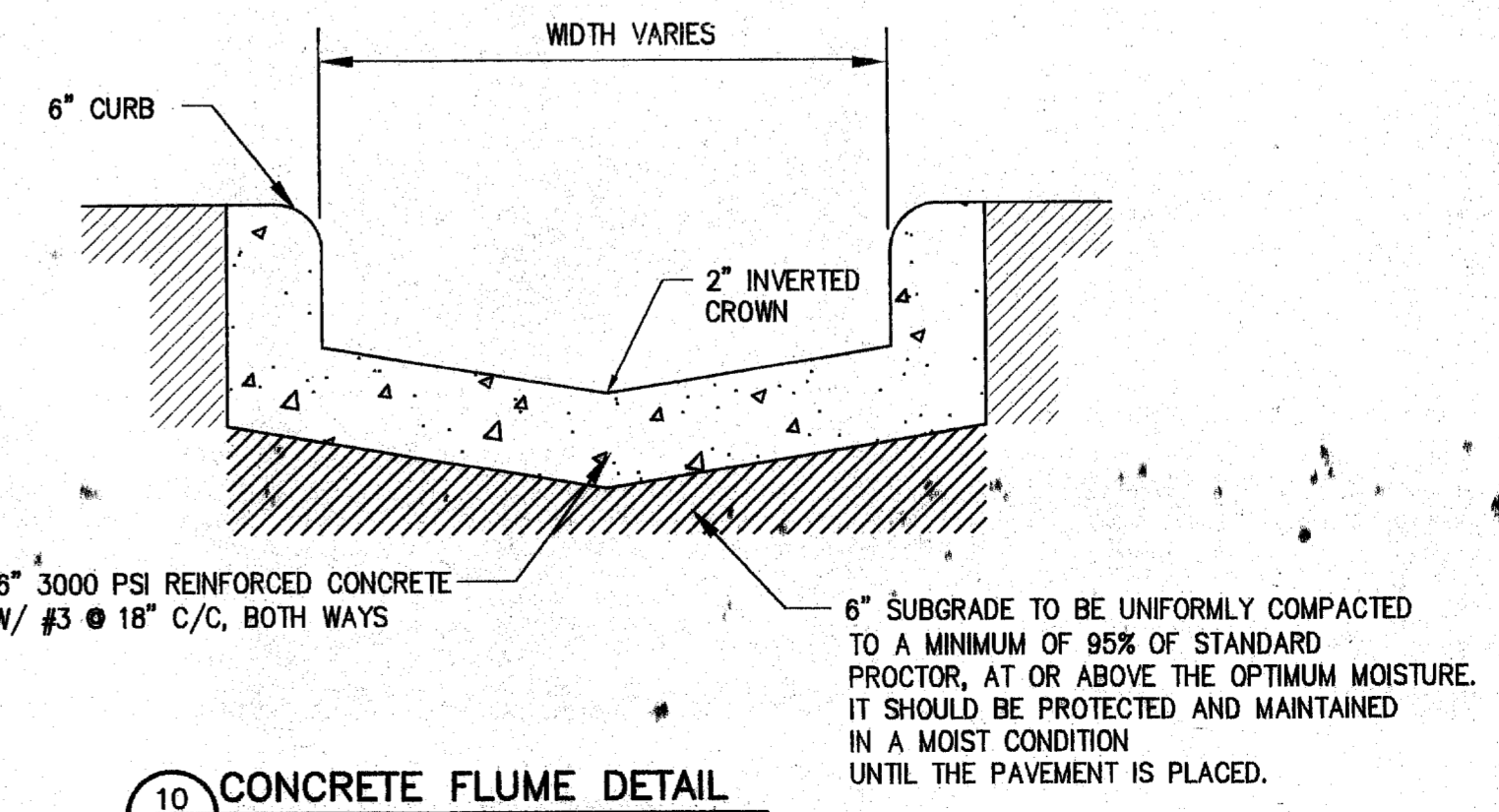
8 MONOLITHIC CURB DETAIL  
NOT TO SCALE



6 LONGITUDINAL CONSTRUCTION JOINT  
NOT TO SCALE



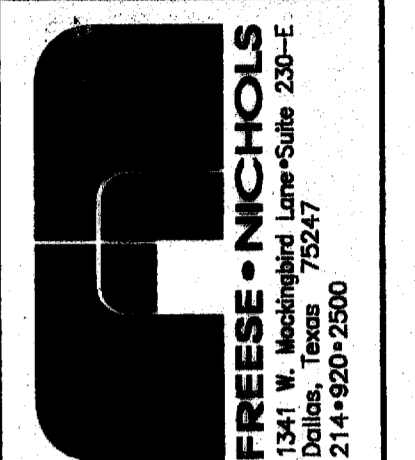
9 TRANSVERSE EXPANSION JOINT  
NOT TO SCALE



10 CONCRETE FLUME DETAIL  
NOT TO SCALE

NOTES:  
1. CONCRETE STRENGTH SHALL BE A MINIMUM OF 3000 PSI AT 28 DAYS.  
2. EXPANSION JOINTS SHALL BE 1/2\"/>

RECORD DRAWING  
BASED ON THE INFORMATION SUPPLIED BY THE CONTRACTOR  
DATE: 3-4-99 TO: THH



OMNIPLAN ARCHITECTS  
SOJOURN OFFICE CENTER  
ADDISON, TEXAS  
SITEWORK PLANS  
PAVING DETAILS

NO. REVISION	DATE	BY	DESIGNED	DRAWN	REVISOR	CHECKED	THH
1	4/20/98	MW					
F&N JOB NO. OMP992016		PROJECT--PAVE		DATE	7-26-99	DESIGNED	MW
PER CONTRACTOR 16\"/>							

"AS-BUILTS"