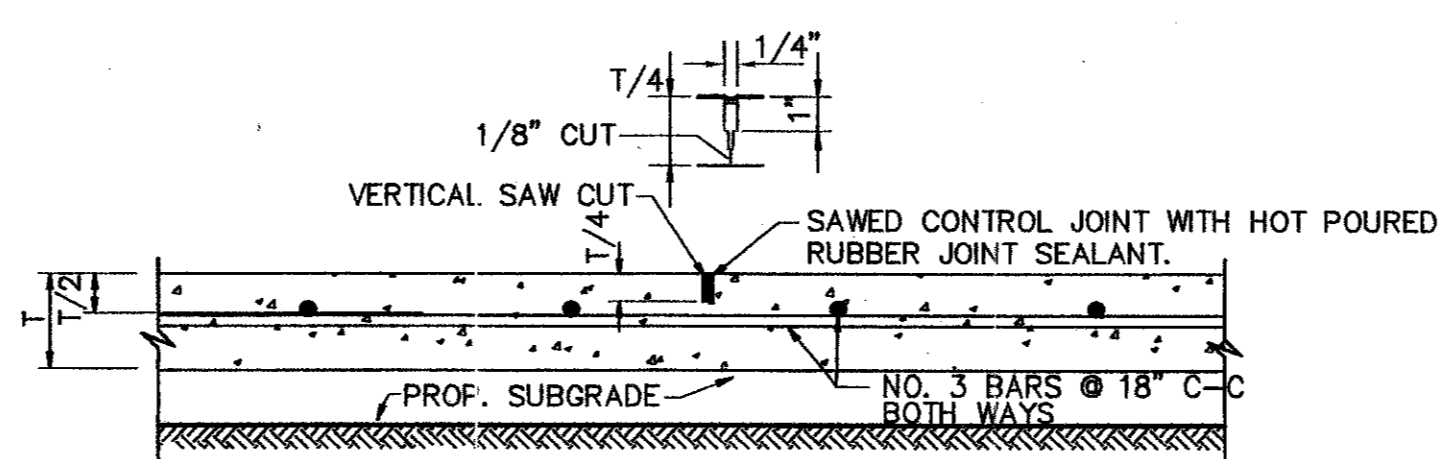
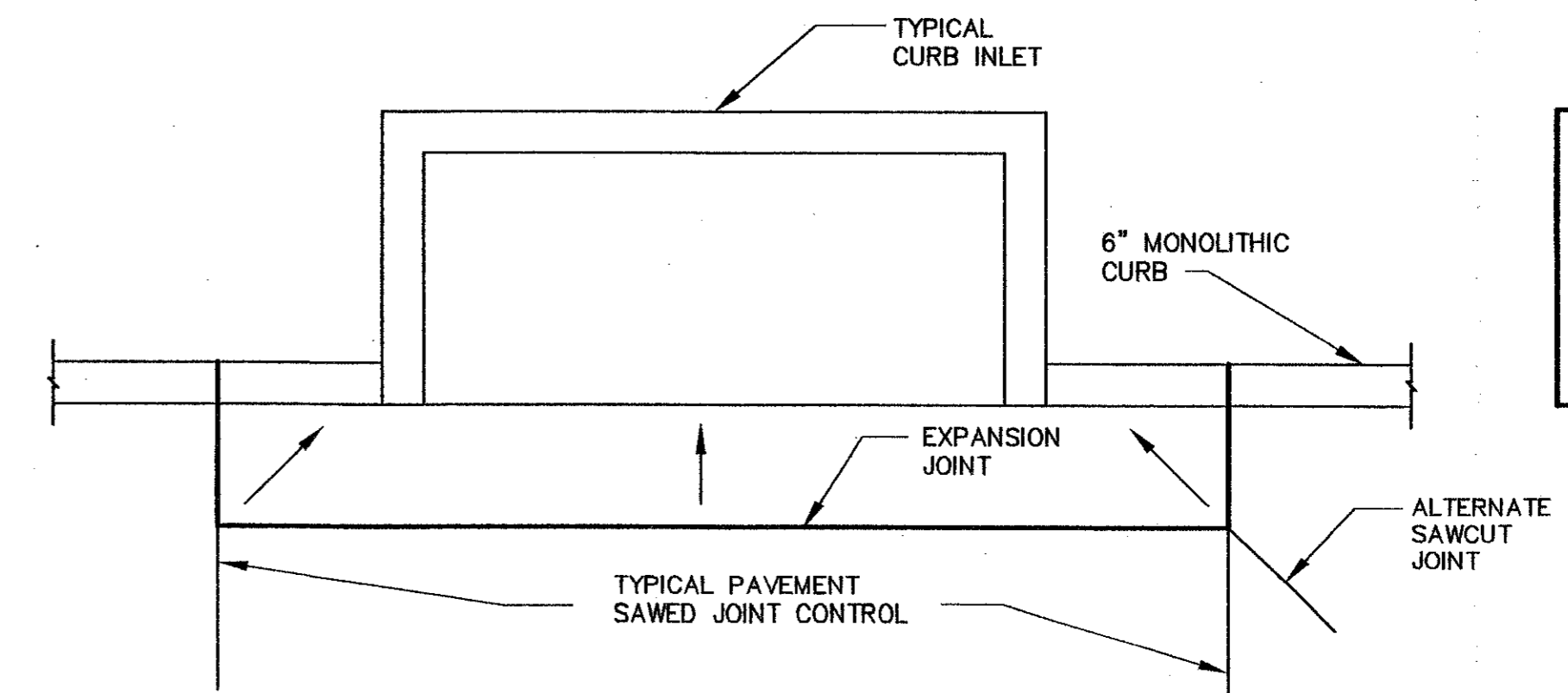


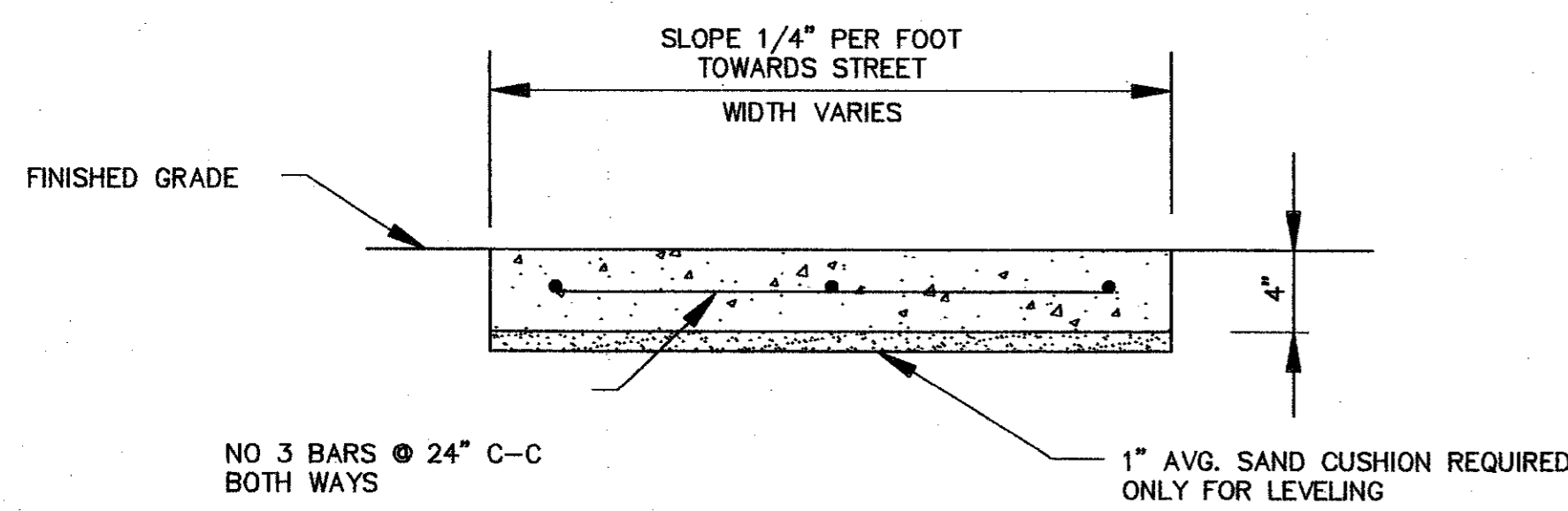
1 TYPICAL PAVING SECTION  
NOT TO SCALE



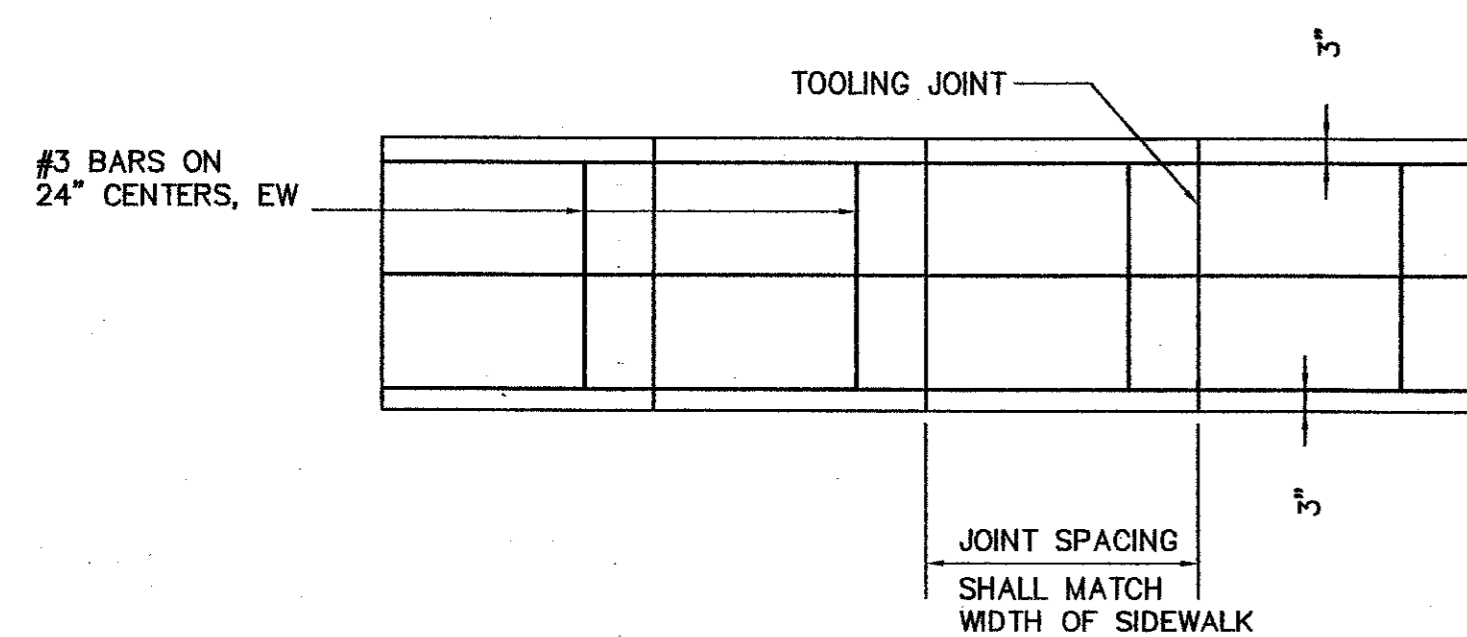
2 SAWED CONTROL JOINT  
NOT TO SCALE



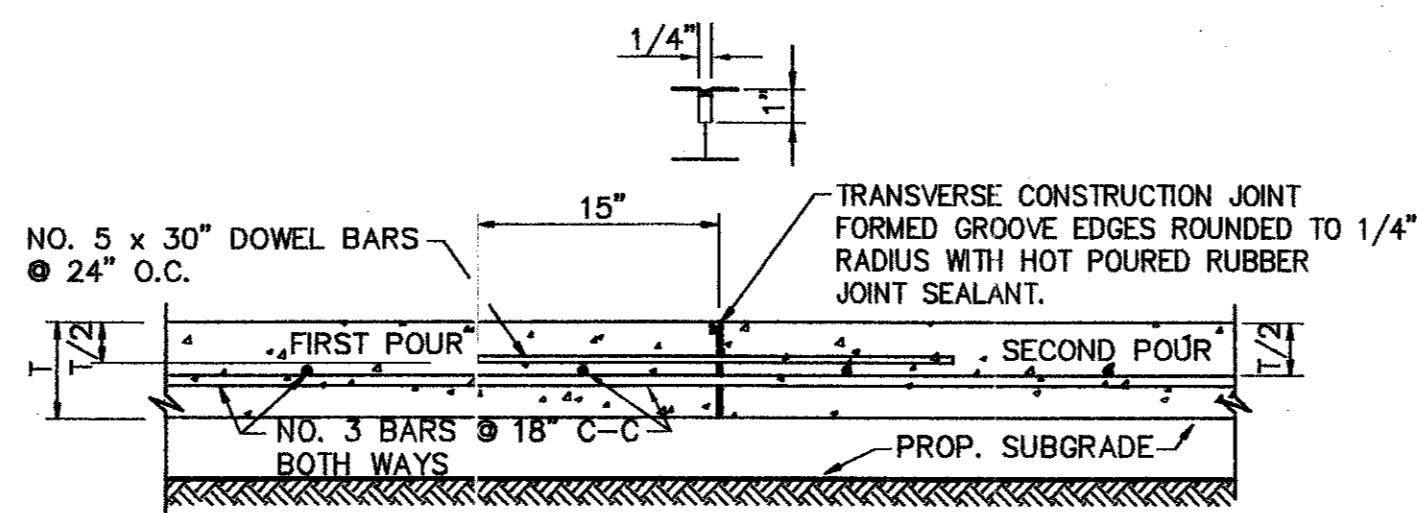
3 SAWCUT JOINTS AT CURB INLETS  
NOT TO SCALE



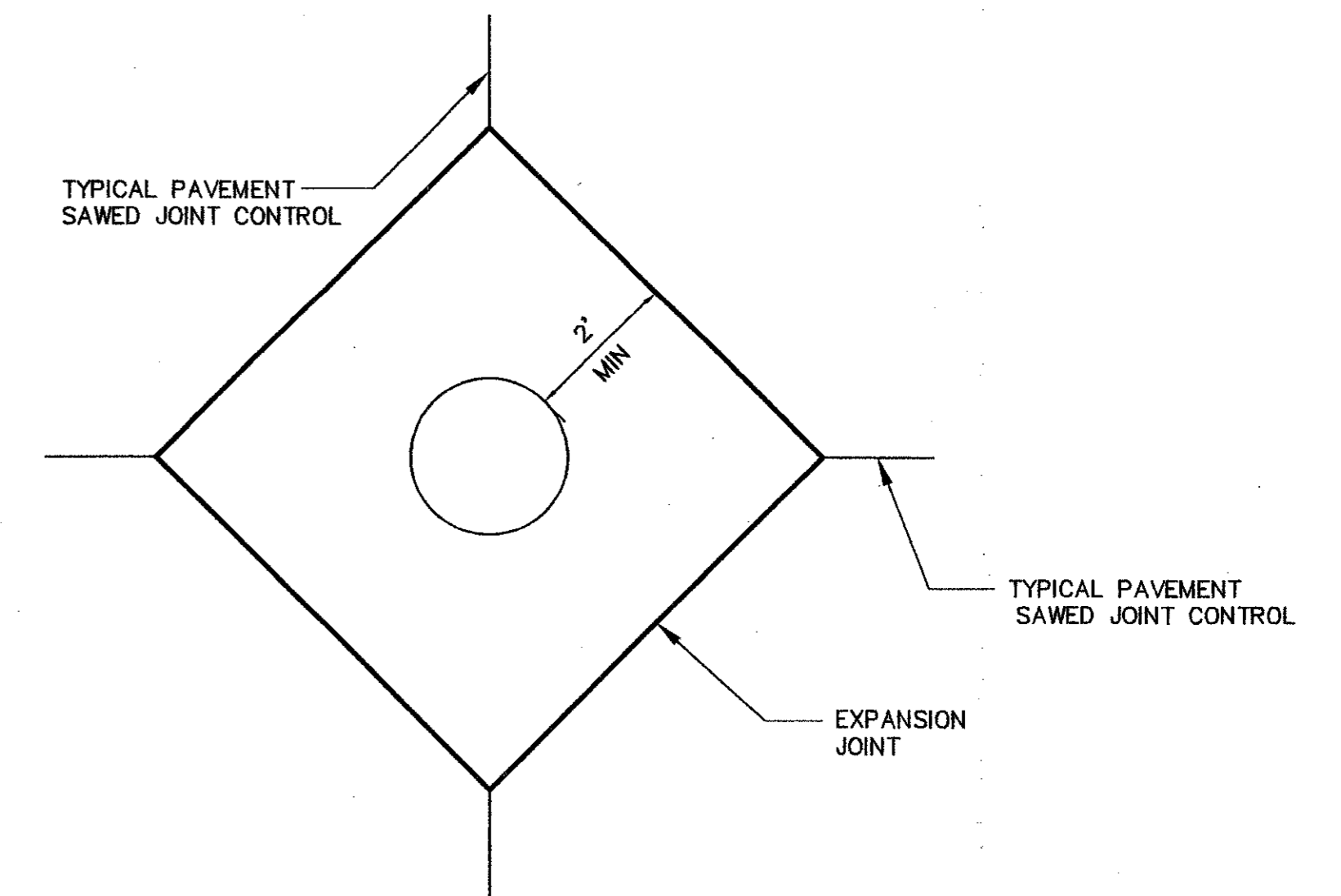
- NOTES:
1. CONCRETE STRENGTH SHALL BE A MINIMUM OF 3000 PSI AT 28 DAYS.
  2. EXPANSION JOINTS SHALL BE 1/2" THICK REDWOOD FOR FULL DEPTH OF SIDEWALK AND SHALL INCLUDE GREASED 24" SMOOTH 1/2" DIA. DOWEL STEEL BARS WITH CAPS.



5 TRANSVERSE CONSTRUCTION JOINT  
NOT TO SCALE

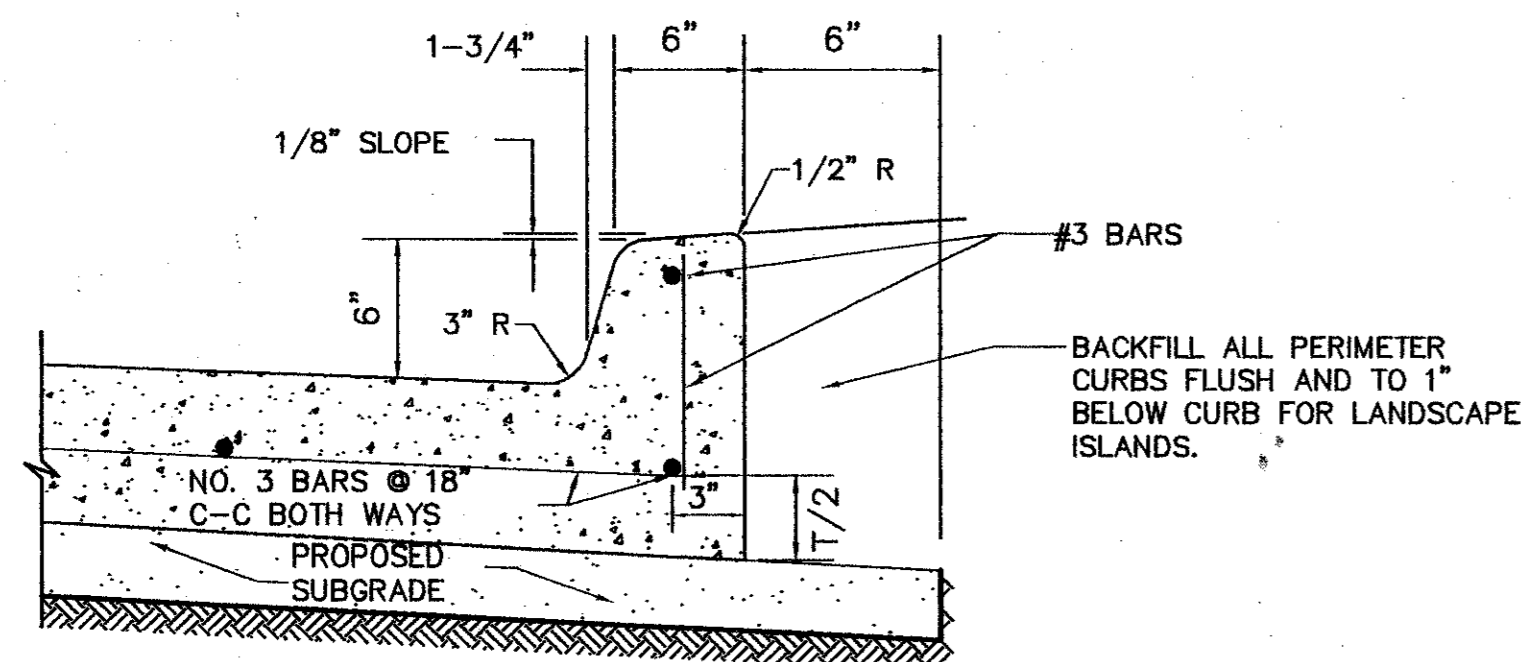


6 LONGITUDINAL CONSTRUCTION JOINT  
NOT TO SCALE

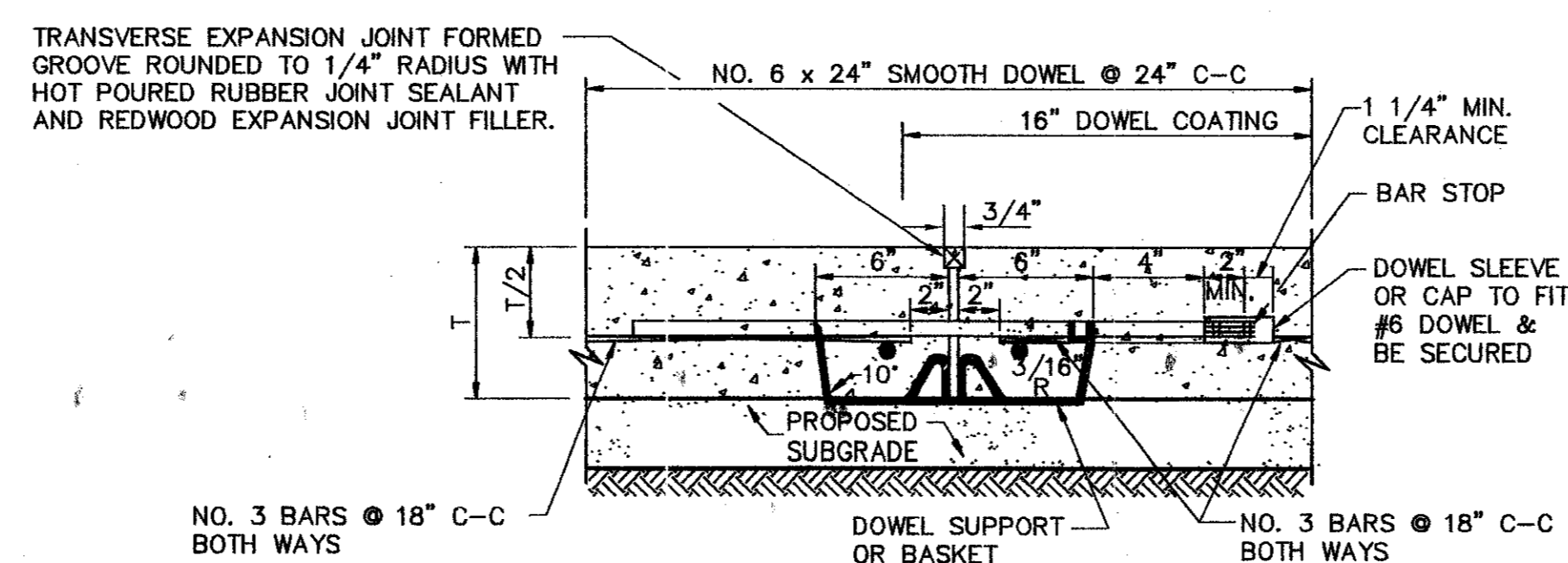


7 SAWCUT JOINTS AT MANHOLES  
NOT TO SCALE

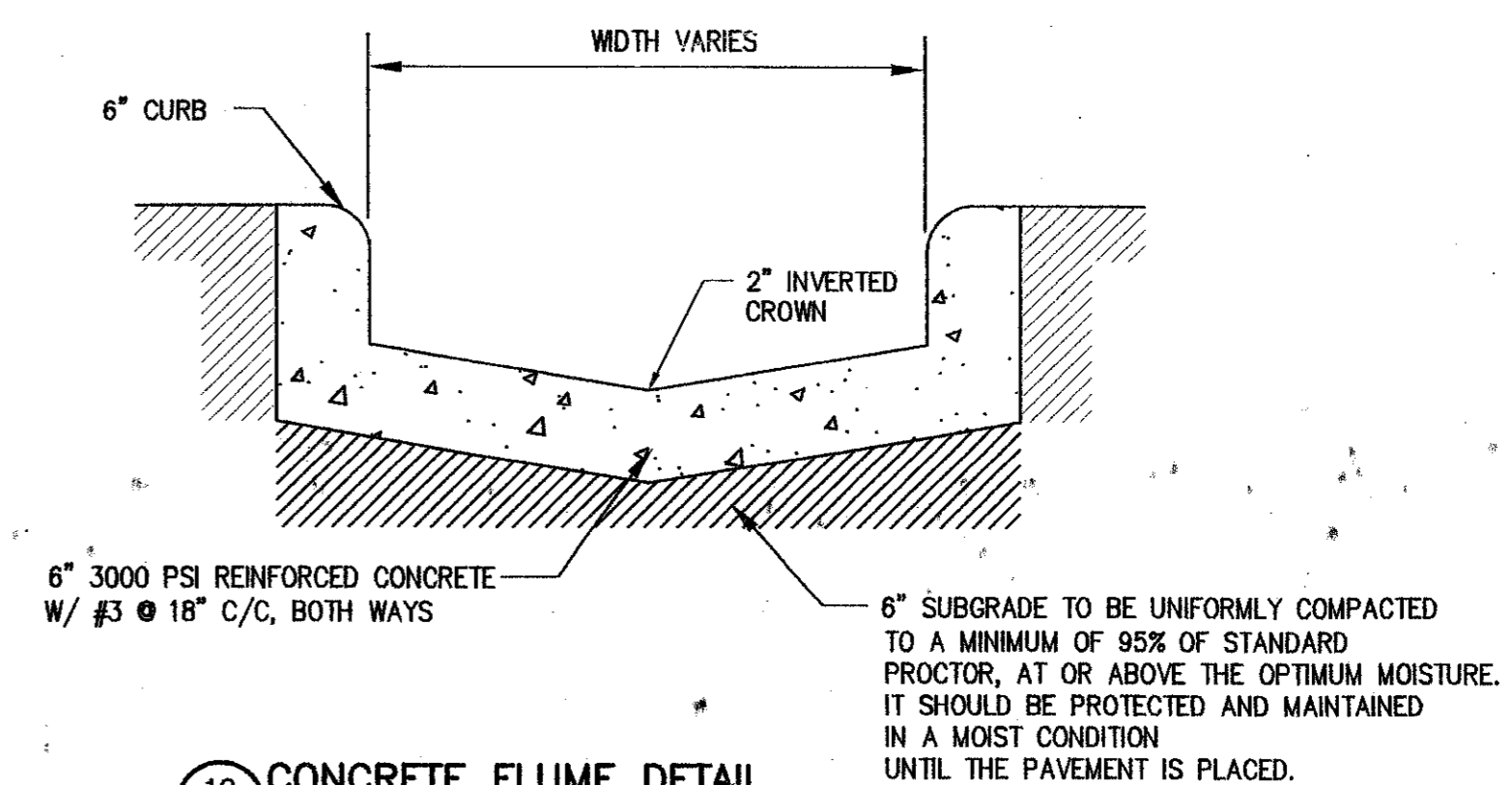
4 SIDEWALK DETAIL  
NOT TO SCALE



8 MONOLITHIC CURB DETAIL  
NOT TO SCALE



9 TRANSVERSE EXPANSION JOINT  
NOT TO SCALE



10 CONCRETE FLUME DETAIL  
NOT TO SCALE

RECORD DRAWING  
BASED ON THE INFORMATION  
SUPPLIED BY THE CONTRACTOR  
DATE: 3-9-99 T.H.H.

THE SEAL, SIGNATURE AND TITLE OF THE REGISTERED PROFESSIONAL ENGINEER MUST BE SHOWN AND DATED BY  
ENGINEER: TRICIA H. HATLEY  
TEXAS REGISTRATION NO.: 83282  
DATE: OCT. 5, 1998



**FREESE-NICHOLS**  
341 W. Woodbridge Lane, Suite 200-E  
Dallas, TX 75247  
214-920-2500

OMNIPLAN ARCHITECTS  
**SOJOURN OFFICE CENTER**  
ADDISON, TEXAS  
SITEWORK PLANS  
PAVING DETAILS

REV. NO.	DATE	BY	DESCRIPTION
1	4/20/99	MDW	PER CONTRACTOR 18" 1" AND 8"
2	7-26-99	MDW	DESIGNED
3		MDW	DRAWN
4		MDW	REVISED
5		THH	CHECKED

FILE: 206DET-PAVE  
DATE: 7-26-99  
DESIGNED: MDW  
DRAWN: MDW  
REVISED: MDW  
CHECKED: THH

Bar is one inch on original drawing. If not one inch on this sheet, adjust scale.  
VERIFY SCALE

"AS-BUILTS"