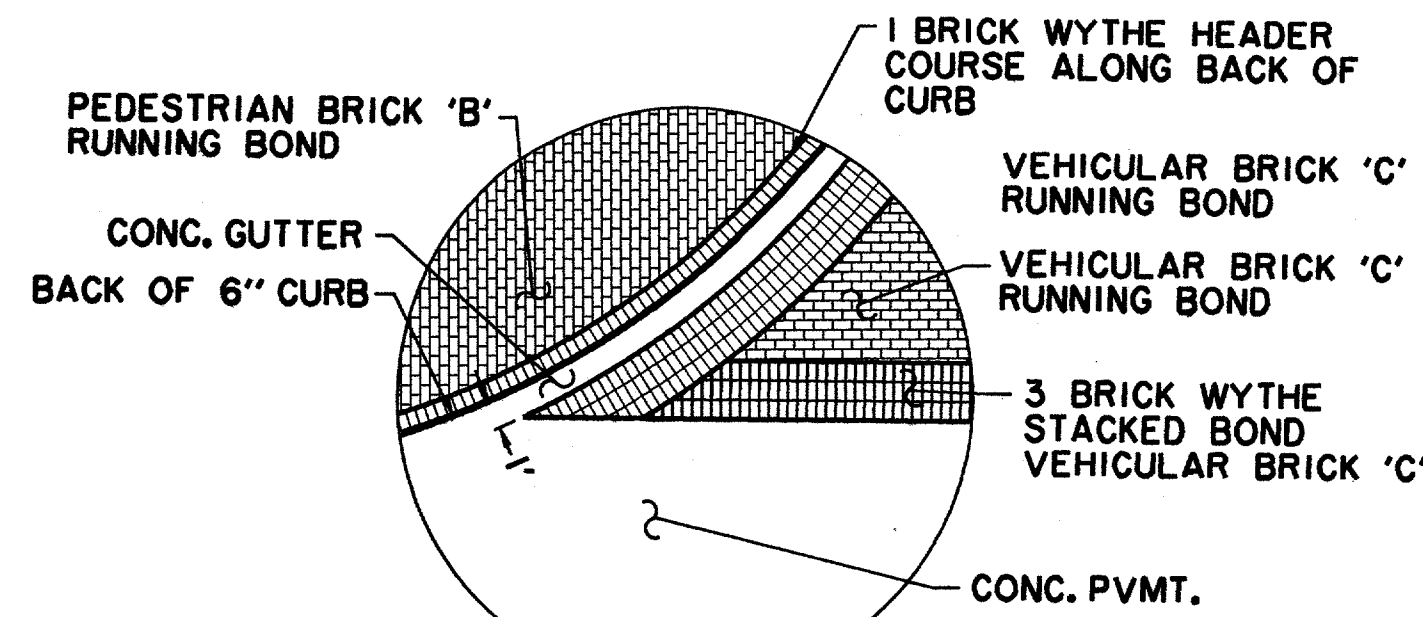
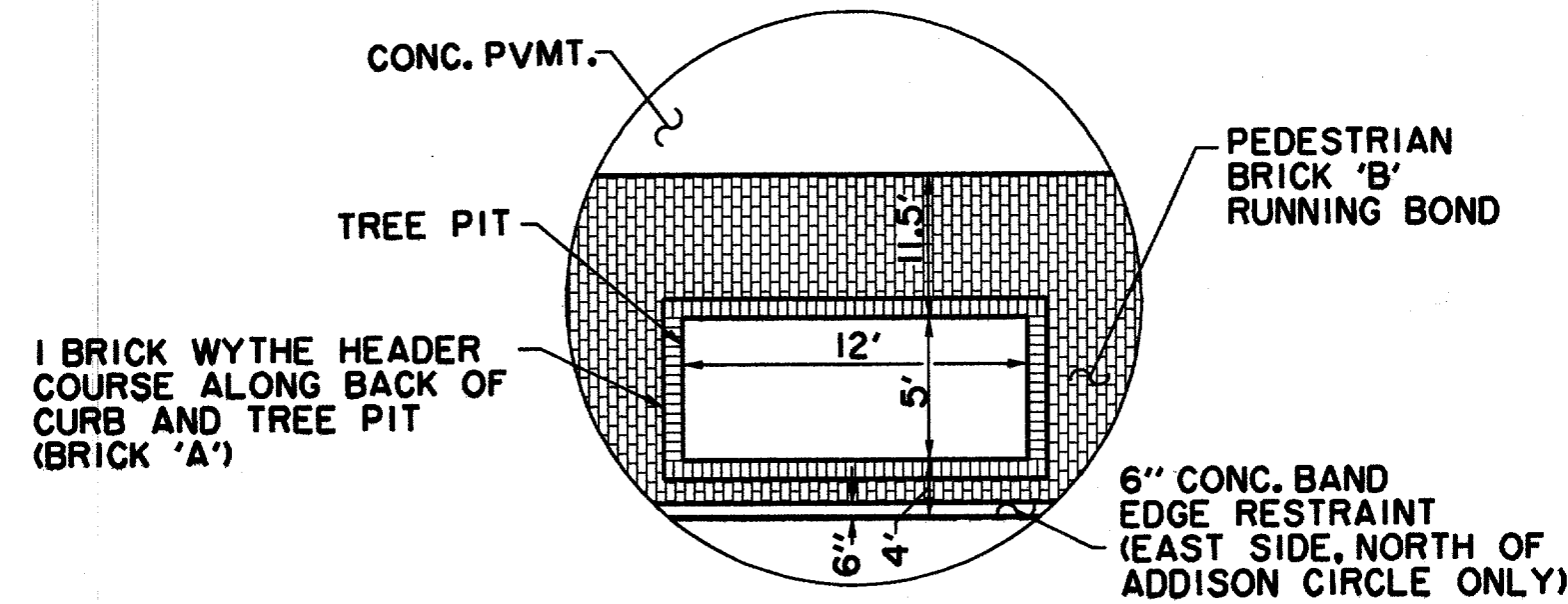


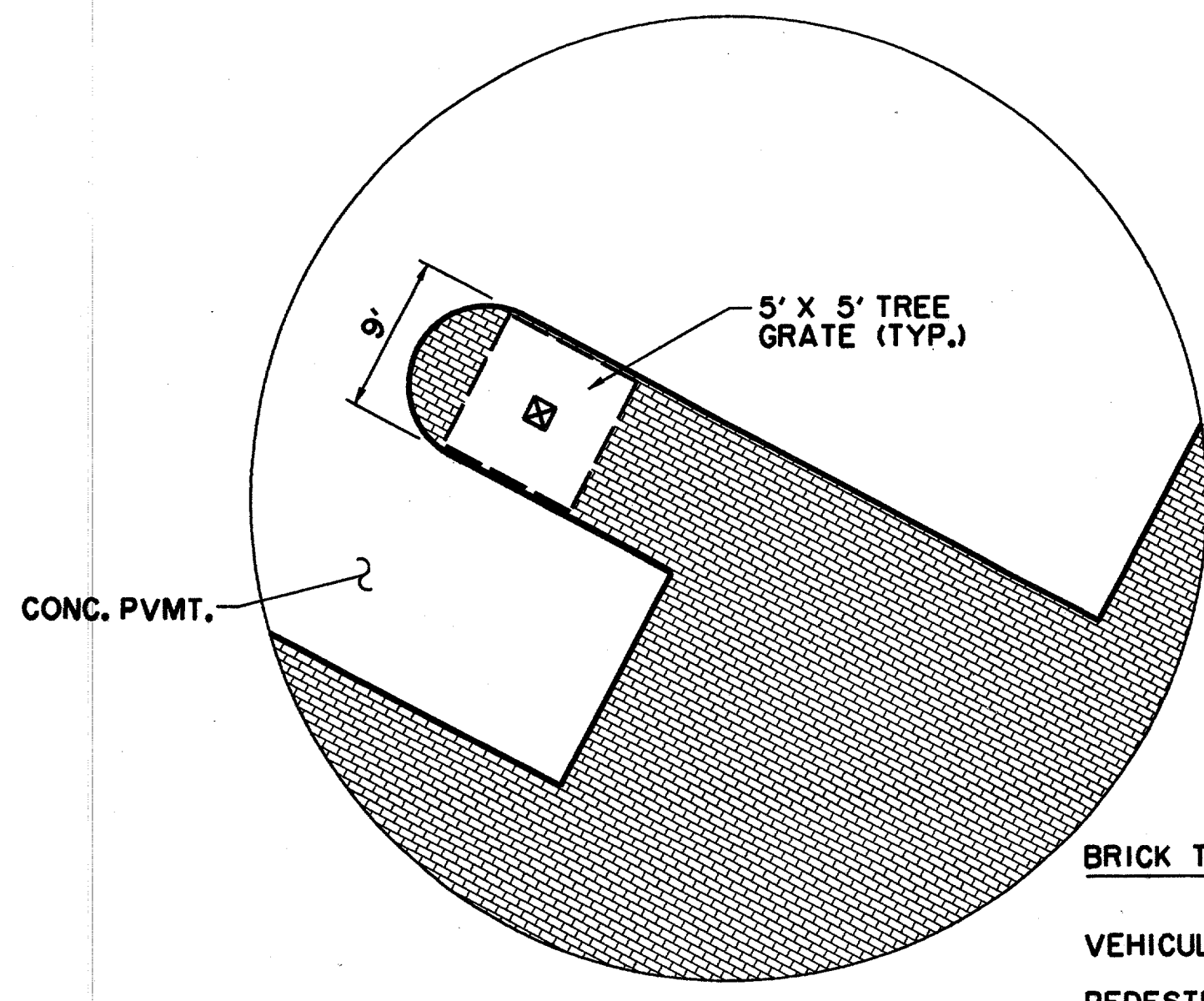
A 5' X 12' TREE PIT DETAIL
(SPECTRUM DRIVE - EAST SIDE)



B CROSSWALK DETAIL



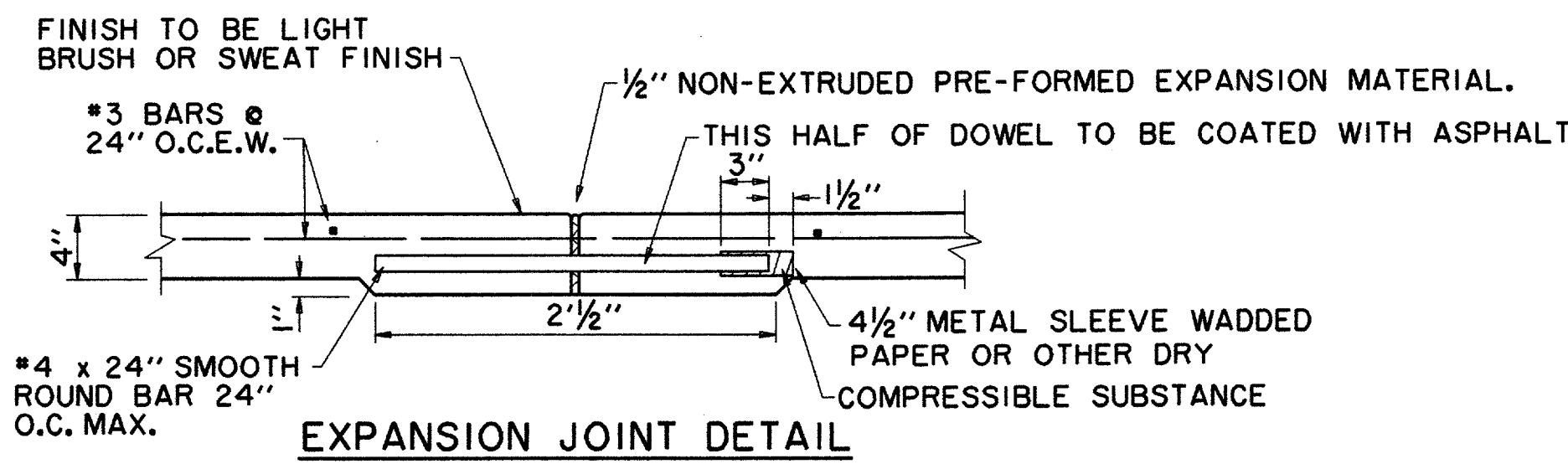
C 5' X 12' TREE PIT DETAIL
(SPECTRUM DRIVE - WEST SIDE)



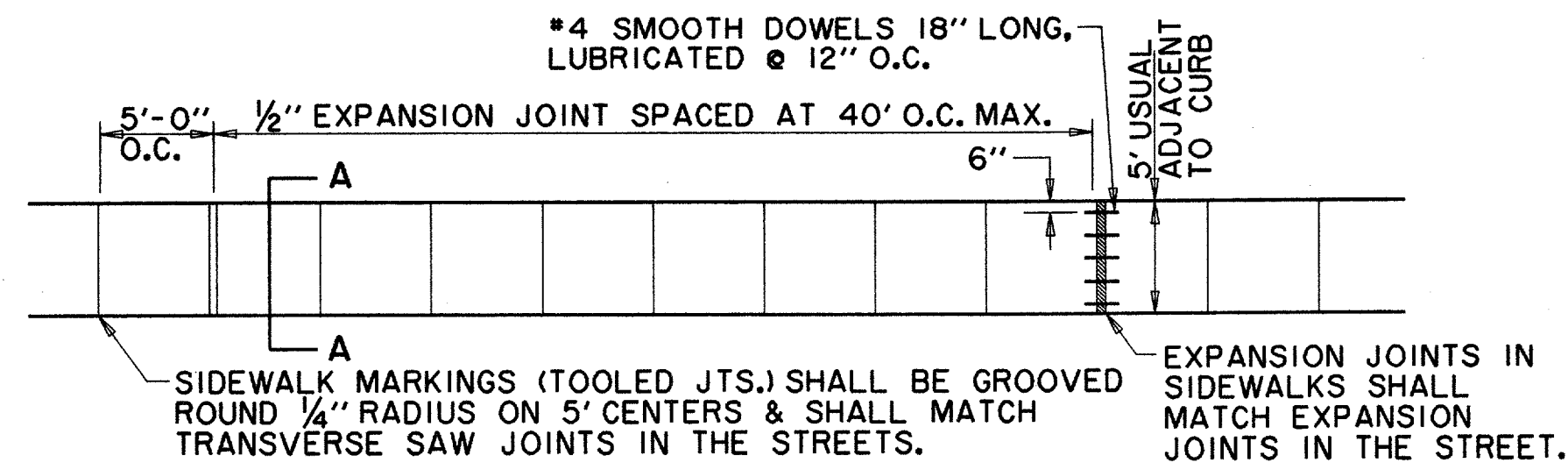
D HEAD-IN PARKING DETAIL

BRICK TYPES:

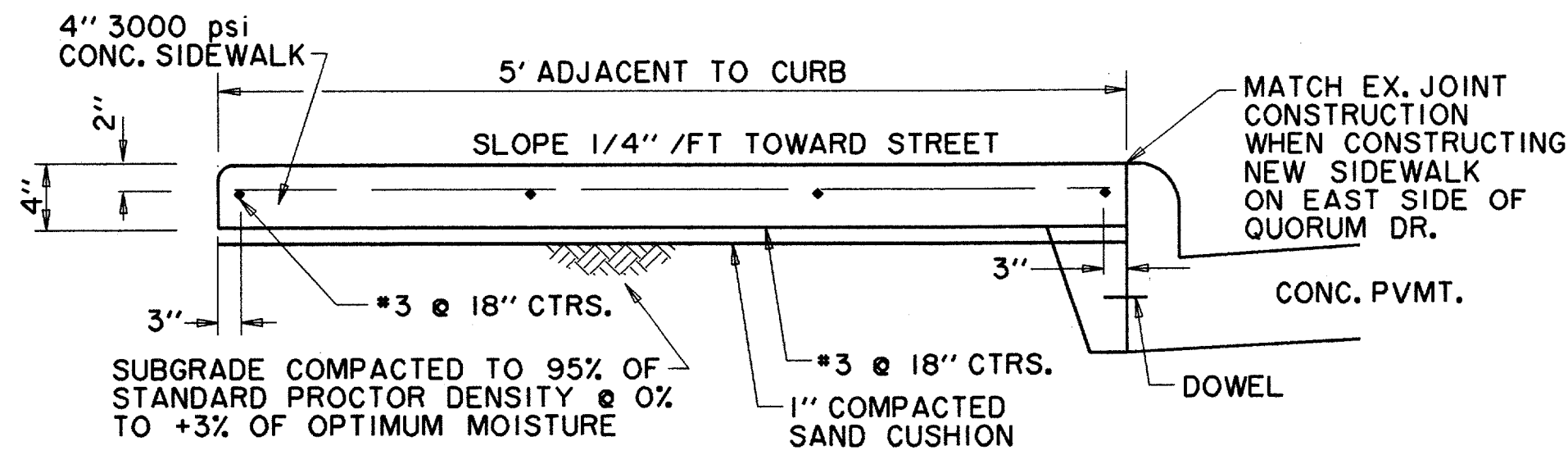
- VEHICULAR BRICK "C" - 2 5/8" x 3 1/2" x 7 1/2" (ACME)
- PEDESTRIAN BRICK "A" - 2 1/4" x 4" x 8" (BROWN)
- PEDESTRIAN BRICK "B" - 2 1/4" x 4" x 8" (AUTUMN HAZE)



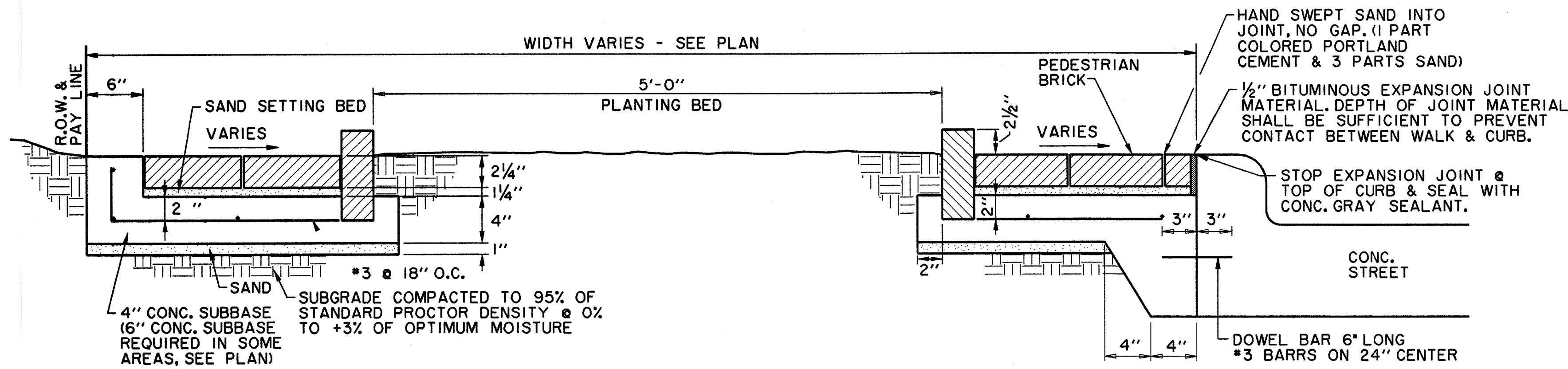
EXPANSION JOINT DETAIL



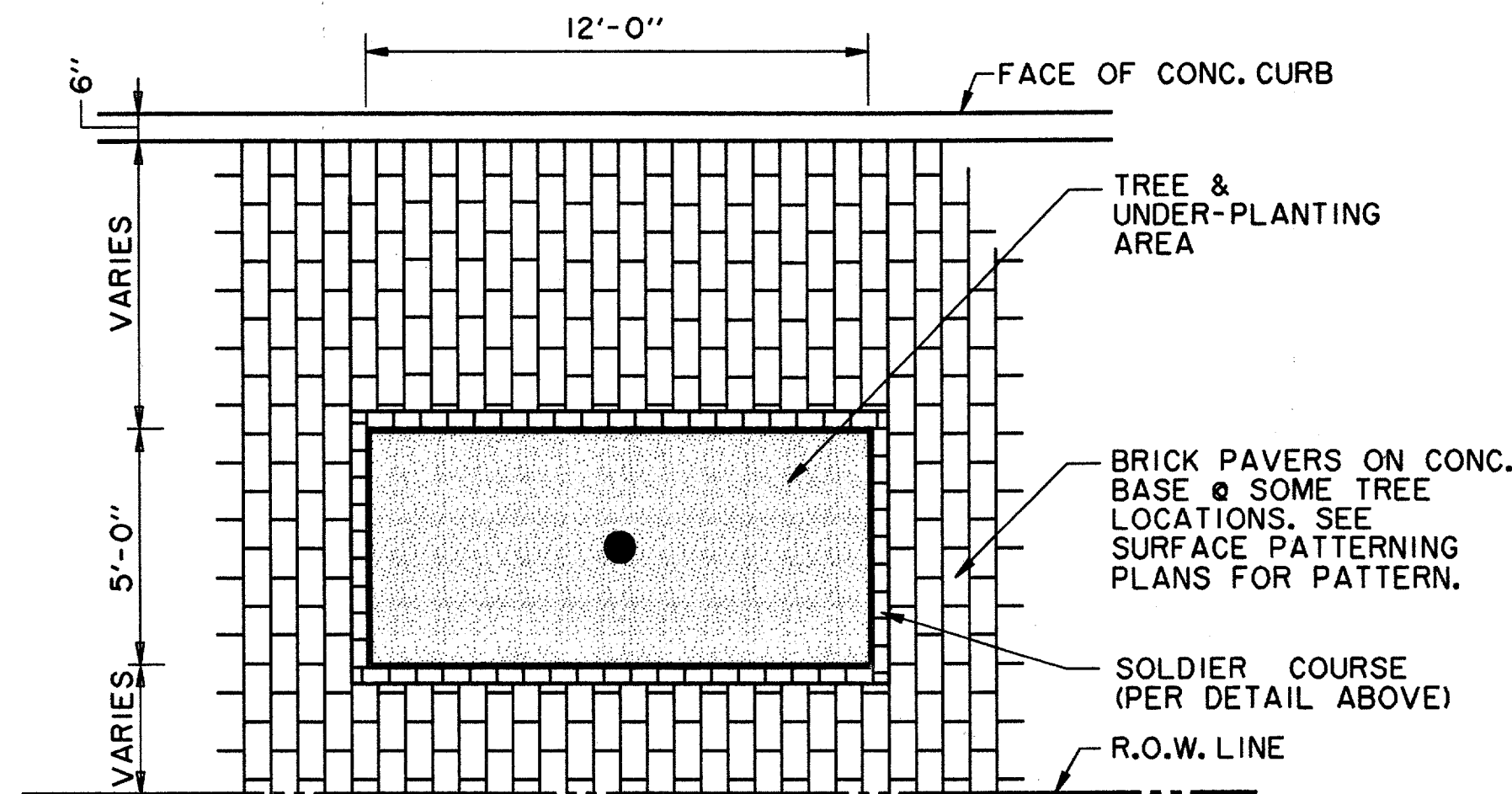
REINFORCED CONCRETE SIDEWALK
N.T.S.



TYPICAL SECTION A-A
N.T.S.



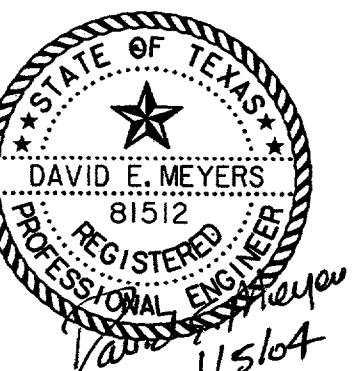
BRICK SIDEWALK INSTALLATION IN PEDESTRIAN AREA
N.T.S.



TREE PIT PLAN (SPECTRUM DRIVE)
N.T.S.

GENERAL NOTES CONCRETE SUBBASE FOR SIDEWALKS

1. REINFORCED CONCRETE SIDEWALK SHALL BE A MINIMUM OF FOUR (4) INCHES THICK AND SHALL BE 3000 PSI AT 28 DAYS (5 SACK MIX) UNLESS NOTED OTHERWISE.
2. A 1/4" CHAMFER OR 1/4" RADIUS WILL BE REQUIRED ON ALL EXPOSED EDGES OF CONCRETE SIDEWALK.
3. ALL BAR DIMENSIONS ARE GIVEN AS CENTER TO CENTER OF BARS AND ARE LOCATED AS SHOWN.
4. ALL REINFORCING STEEL SHALL BE NO. 3 ON 18" CENTERS LONGITUDINALLY, 18" CENTERS TRANSVERSELY AND SHALL CONFORM TO THE REQUIREMENTS OF ASTM A-615, GRADE 60.
5. 1" THICK MIN. FINE WASHED SAND CUSHION SHALL BE FREE FROM ORGANIC MATERIALS OR CLAYS AND SHALL BE USED FOR GRADE ADJUSTMENT.
6. SUBGRADE SHALL BE COMPACTED TO A DENSITY NOT LESS THAN 95% OF STANDARD PROCTOR DENSITY AT 0 TO +3% OF OPTIMUM MOISTURE.
7. TOOLED JOINTS (CONTRACTION JOINTS) SHALL BE ON FIVE (5) FOOT CENTERS AND SHALL BE ROUND ONE-FOURTH (1/4) INCH RADIUS.
8. A ONE-HALF (1/2) INCH EXPANSION JOINT SHALL BE PLACED EVERY FORTY (40) FEET, AND WHERE WORKS ABUT OLD WORK, OR WHERE NEW WORK IS CONSTRUCTED ADJACENT TO OTHER CONCRETE.
9. EXPOSED SIDEWALKS SHALL BE FINISHED BY LIGHTLY BROOMING SURFACE TRANSVERSELY TO DIRECTION OF MAIN TRAFFIC.



DATE	DESCRIPTION	REF. NO.
1/05/04	ISSUED FOR CONSTRUCTION	
11/07/03	ISSUED FOR BID	
STREETScape DETAILS		
SPECTRUM DRIVE EXTENSION		
TOWN OF ADDISON, TEXAS		
DESIGN	DRAWN	APPR.
HZ1	HZ1	DEM
SCALE	DATE	PROJECT NO.
N.T.S.	NOV 2003	01-3220-01
NO.		
		12