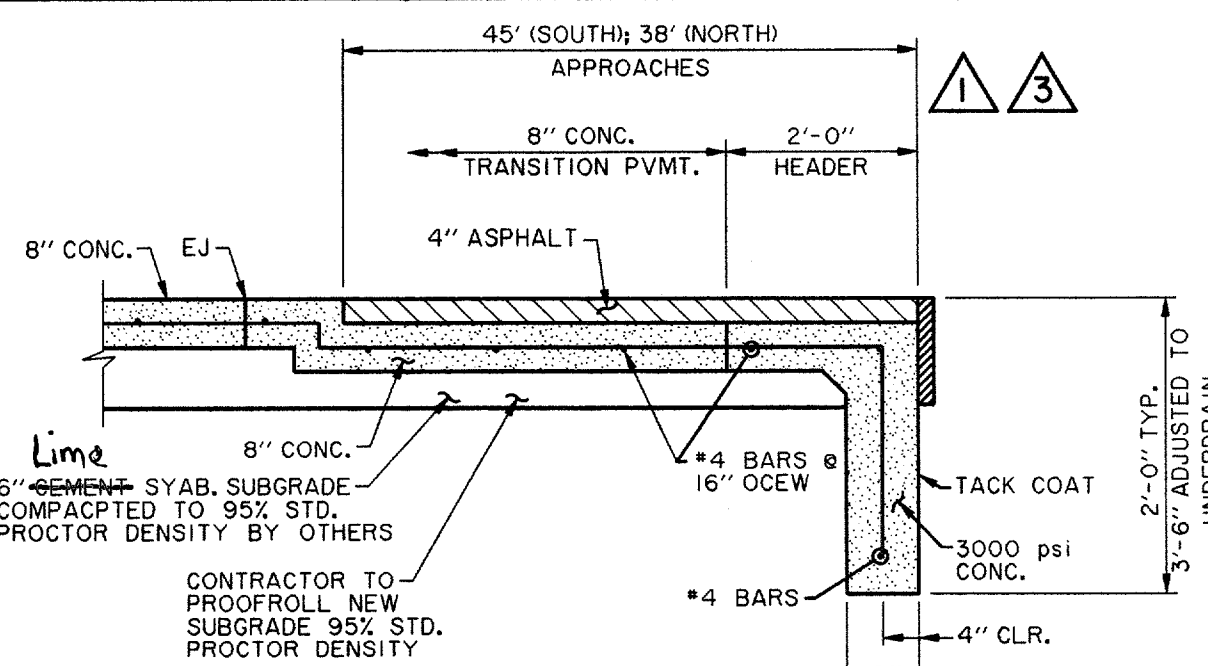
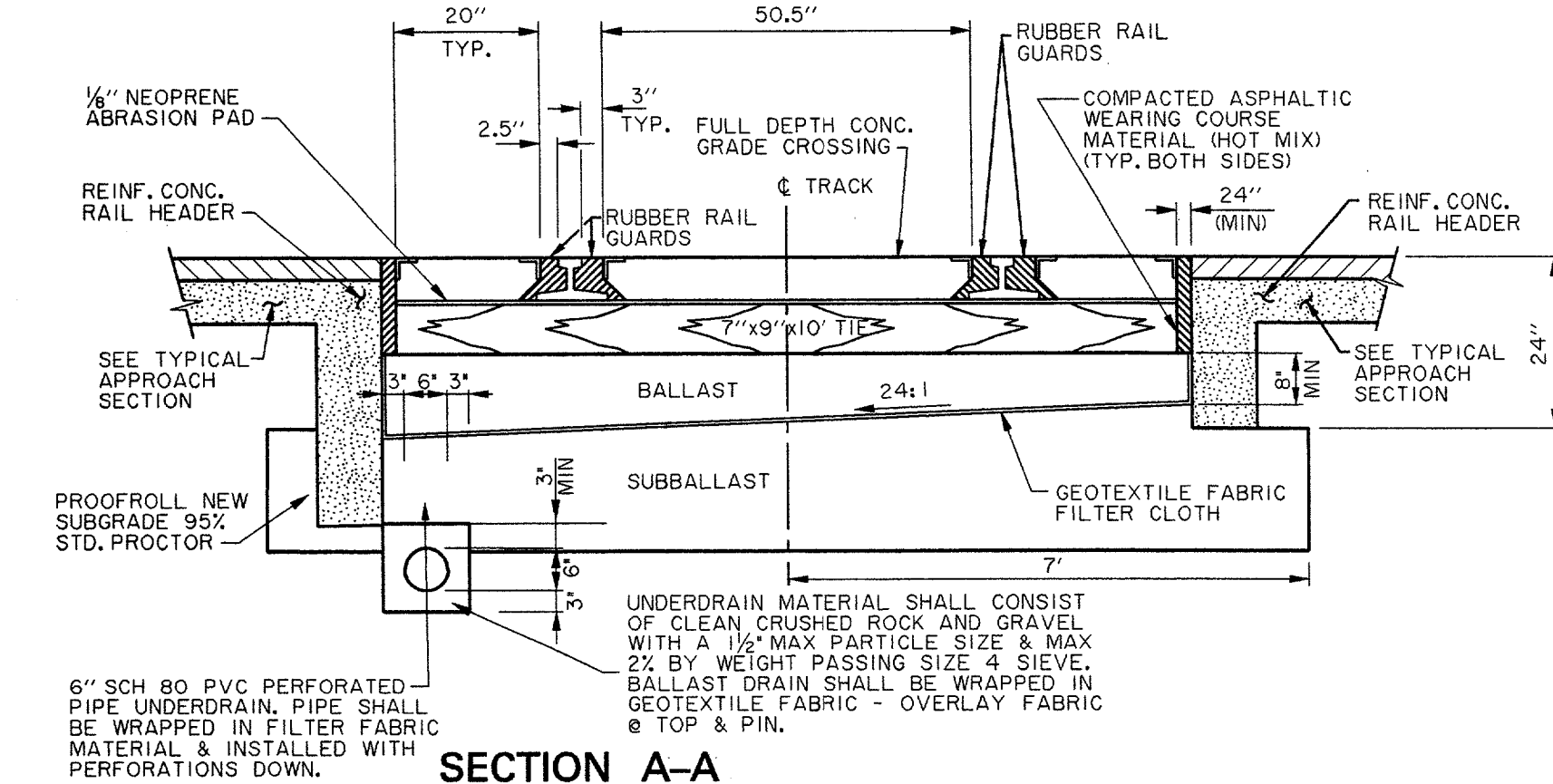


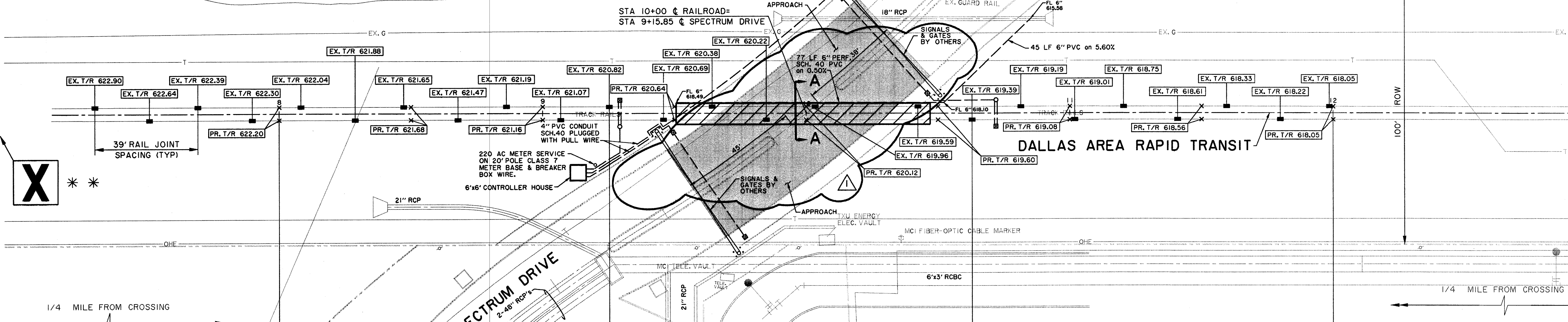
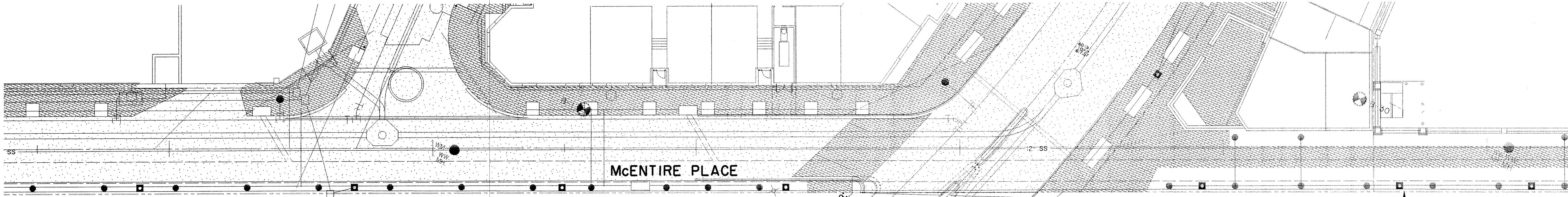
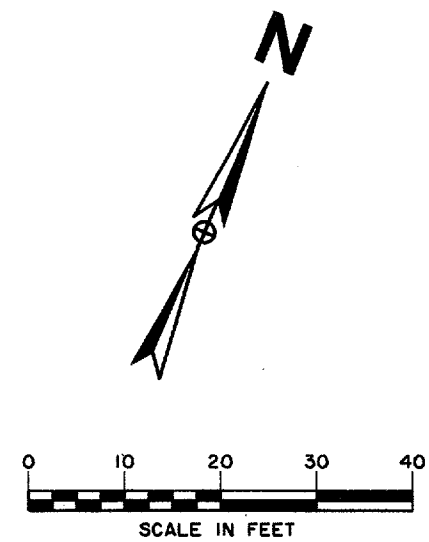
VICINITY MAP
SCALE 1"=400'



TYPICAL APPROACH SECTION
NTS



SECTION A-A
TYPICAL SECTION
NTS



GENERAL NOTES

1. ALL TRACK MATERIALS REMOVED SHALL BECOME THE PROPERTY OF THE CONTRACTOR.
2. CONTRACTOR TO FURNISH AND INSTALL ALL TRACKWORK MATERIALS.
3. REMOVE 2-138.5' 85* RAILS AND REPLACE WITH 2-138.5' 136* (NO. 1 RELAY RAILS CWR).
4. REMOVE EXISTING TIMBER CROSSTIES AND REPLACE WITH NEW TIMBER CROSSTIES WITHIN THE LIMITS SHOWN.
5. REMOVE EXISTING BALLAST TO EXISTING SUBBALLAST WITHIN LIMITS OF OF PROPOSED 96' GRADE CROSSING; REPLACE WITH CLEAN BALLAST MINIMUM DEPTH OF 8" BELOW CROSSTIES.
6. NEW TRACK SHALL BE COMPLETE, FINAL ALIGNED AND SURFACED BEFORE PREFABRICATED CROSSING INSTALLATION.
7. INSTALL 96 TRACK FEET OF NEW PREFABRICATED CONCRETE GRADE CROSSING.
8. PROVIDE THE RUNNING SURFACE OF EACH PRE-FABRICATED PANEL WHEN INSTALLED, 1/8" BELOW THE TOP OF THE RUNNING RAIL.

NOTE:
RAILROAD SIGNALIZATION DESIGN
AND CONSTRUCTION BY OTHERS.
(SEPARATE CONTRACT)

** WHISTLE SIGN TO BE LOCATED ON ENGINEERS SIDE, FACING DIRECTION OF APPROACH. POST TO BE SET 13 FEET FROM CENTER LINE OF TRACK. WHISTLE SIGN TO BE LOCATED AS NEARLY AS PRACTICABLE ONE-FOURTH MILE FROM CROSSING.



DATE	DESCRIPTION	REF. NO.
1/05/04	ISSUED FOR CONSTRUCTION	
12/16/03	REVISED APPROACH TRANSITION	△
11/26/03	REVISED NOTE #3 & NOTE #5	△
11/20/03	ADDENDUM NO. 1	△
11/07/03	ISSUED FOR BID	

RAILROAD CROSSING PLAN
SPECTRUM DRIVE EXTENSION

TOWN OF ADDISON, TEXAS

3131 McKinney Ave., Suite 600, Dallas, TX 75204
Phone (214) 871-3311/Fax (214) 871-0757

DESIGN	DRAWN	APPR.	SCALE	DATE	PROJECT NO.	NO.
HZI	HZI	DEM	1"=20'	NOV 2003	01-3220-01	56