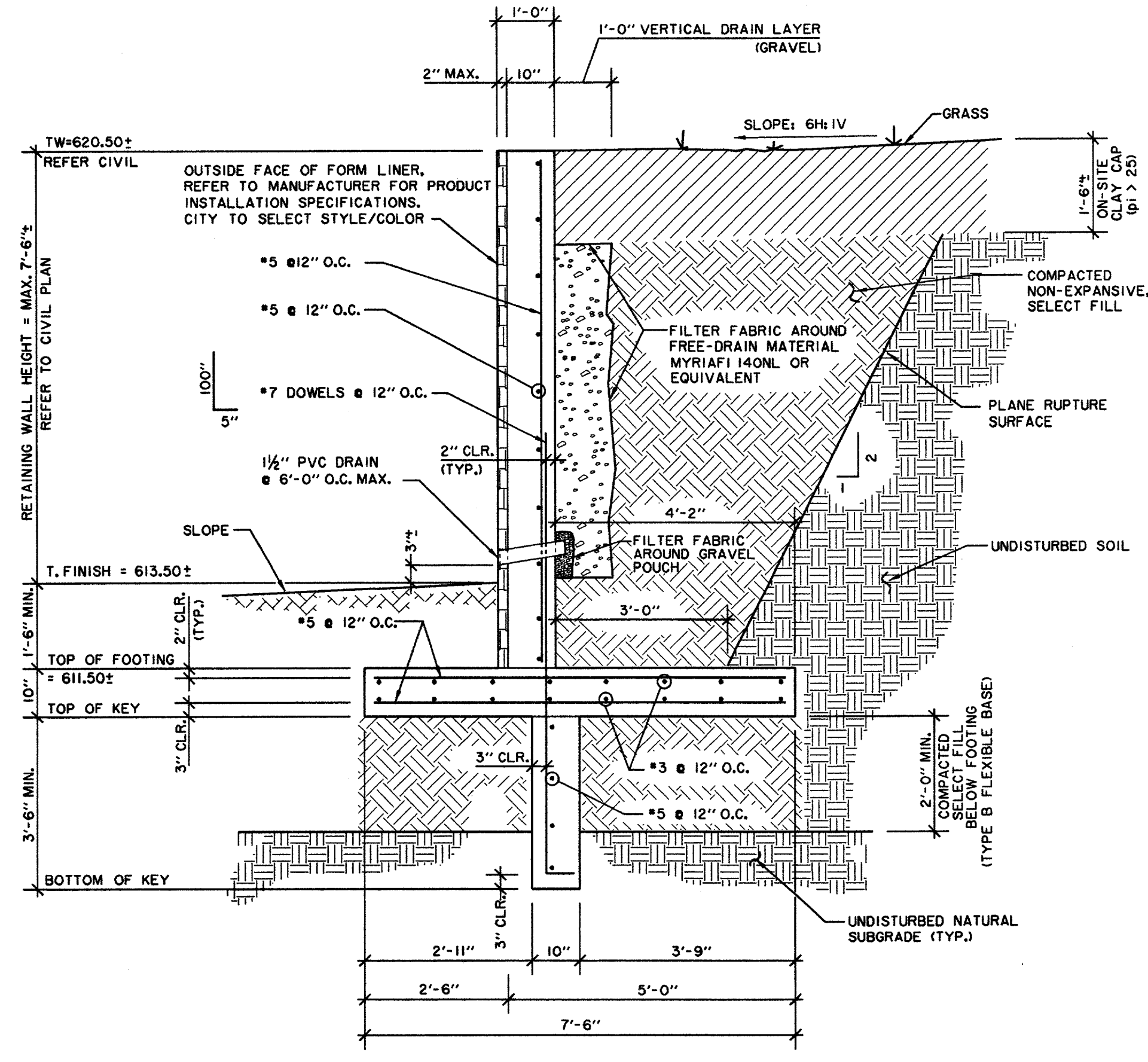
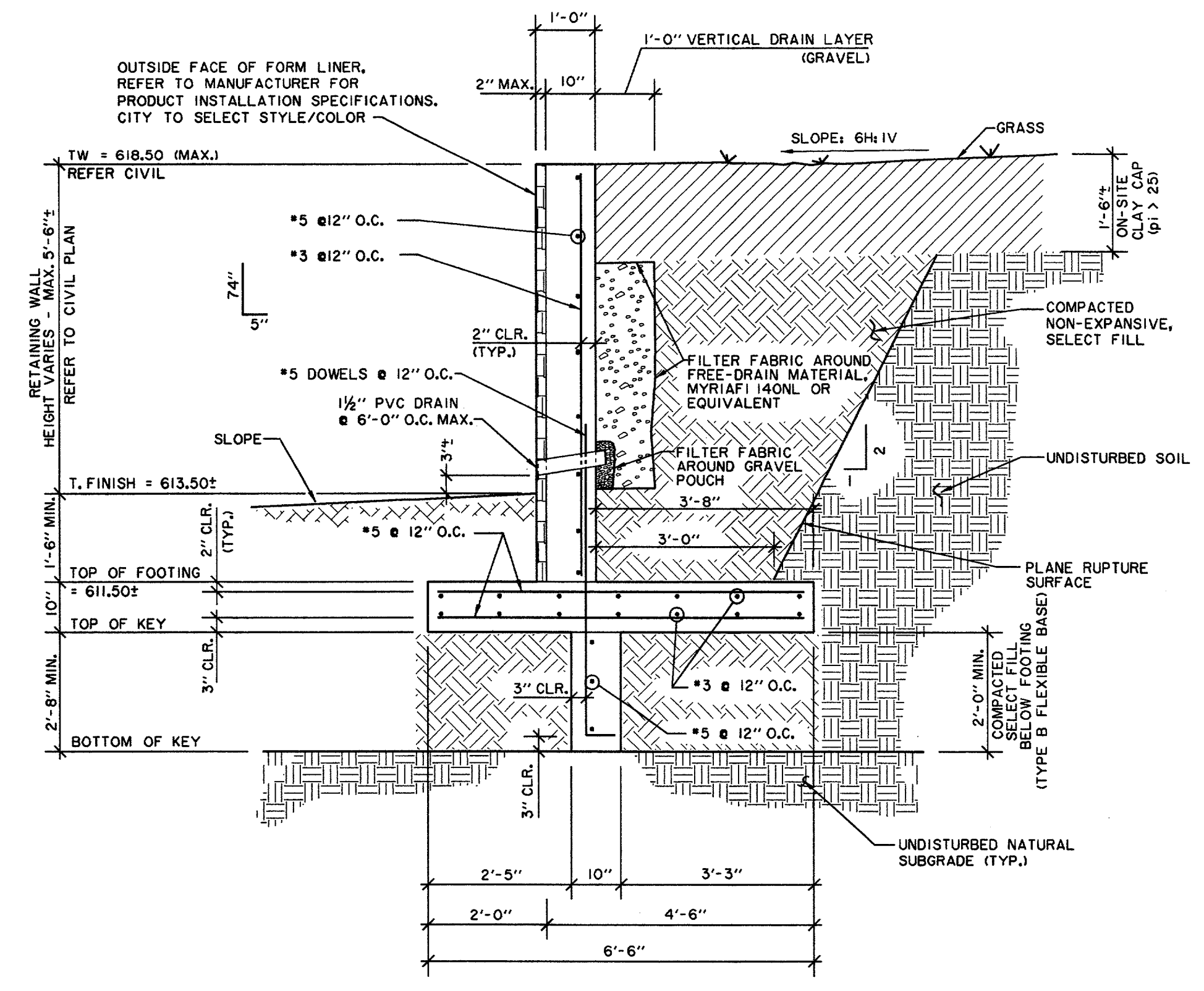


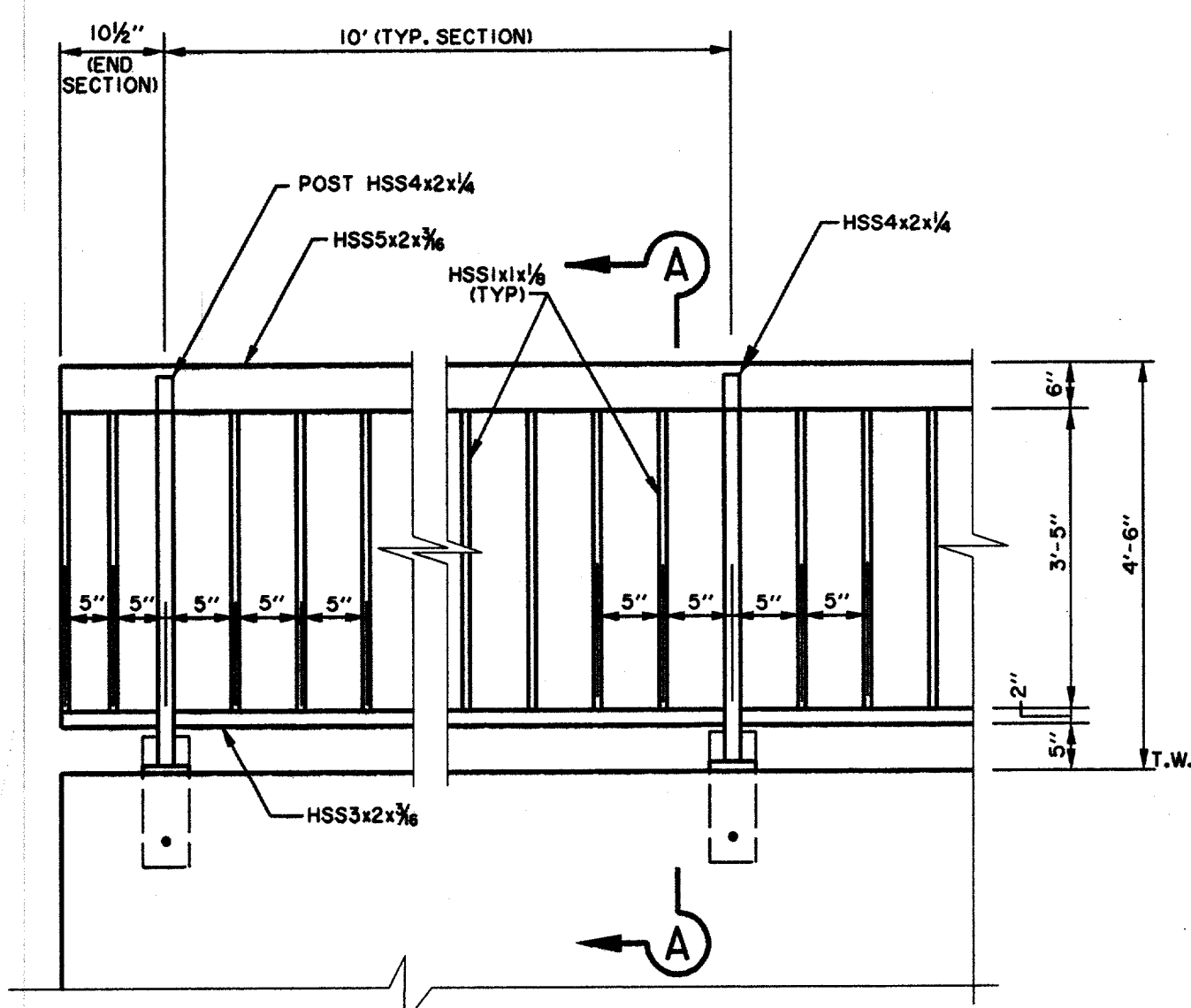
1 TYPICAL SECTION (TYPE 1)
SCALE: 1/2"=1'-0"



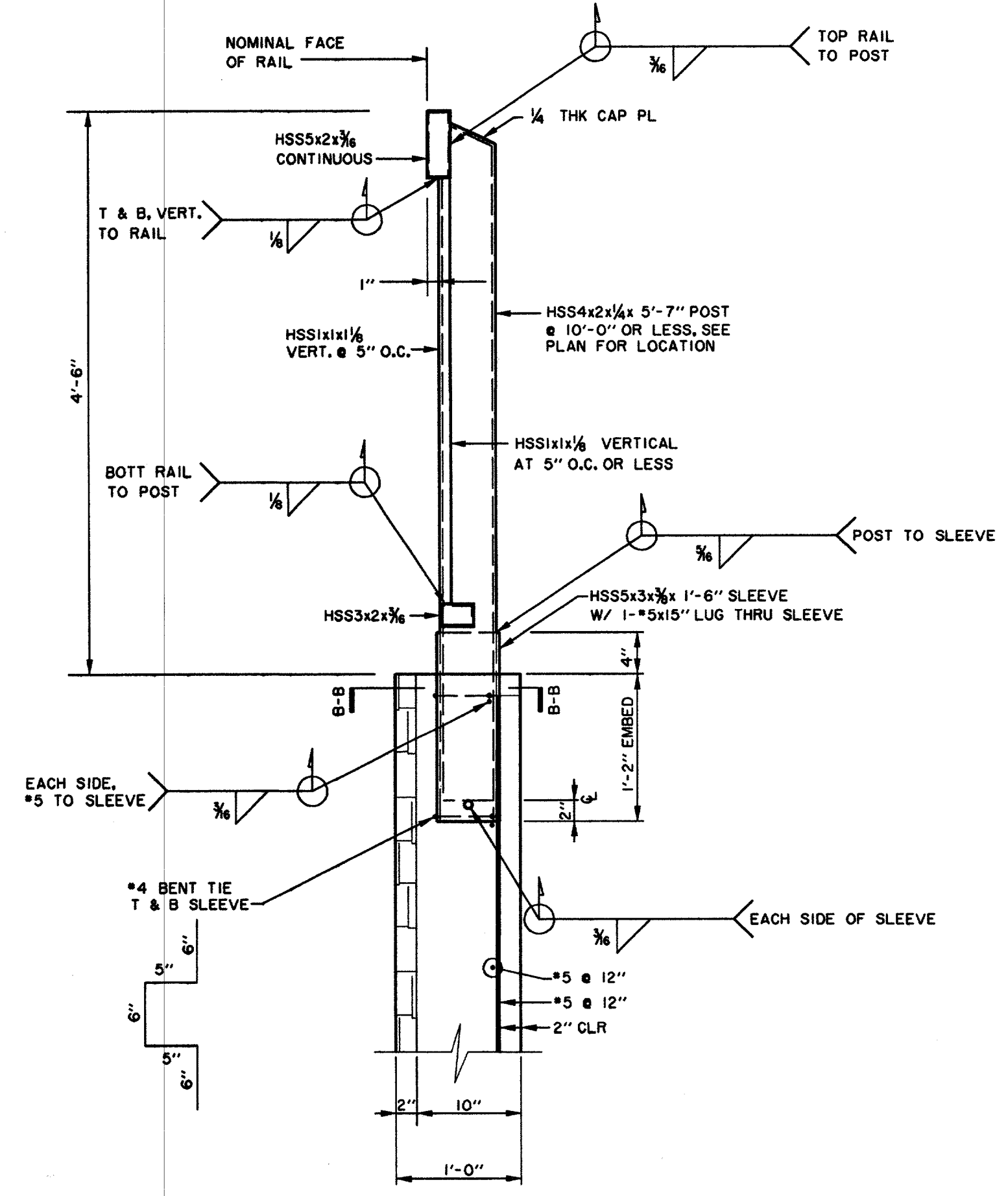
2 TYPICAL SECTION (TYPE 2)
SCALE: 1/2"=1'-0"



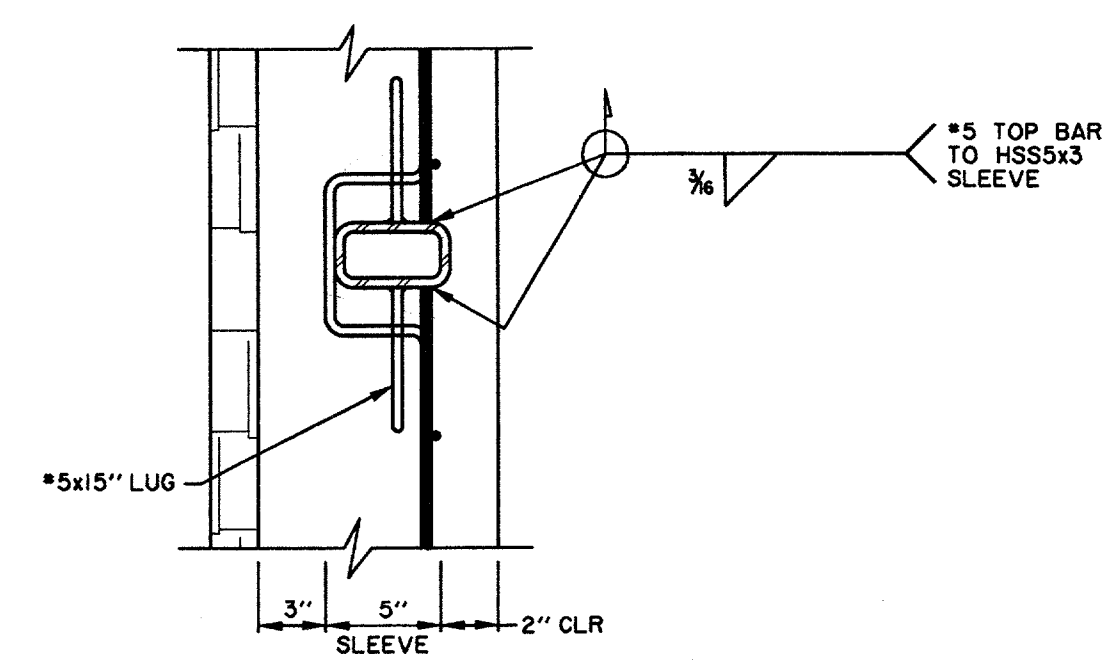
3 TYPICAL SECTION (TYPE 3)
SCALE: 1/2"=1'-0"



4 ELEVATION - BICYCLE RAIL W/ PILASTER
SCALE: 1/2"=1'-0"



A-A TYP DETAIL
SCALE: 1"=1'-0"



B-B DETAIL
SCALE: 1/2"=1'-0"



DATE	DESCRIPTION	REF. NO.
1/05/04	ISSUED FOR CONSTRUCTION	
11/07/03	ISSUED FOR BID	

RETAINING WALL DETAILS						
SPECTRUM DRIVE EXTENSION						
TOWN OF ADDISON, TEXAS						
HUIH - ZOLLERS, INC. 3131 McKinney Ave., Suite 600, Dallas, TX 75204 Phone: (214) 671-3311 Fax: (214) 871-0757						
DESIGN	DRAWN	APPR.	SCALE	DATE	PROJECT NO.	NO.
HZI	HZI	CMG	1/2"=1'	NOV 2003	01-3220-01	59