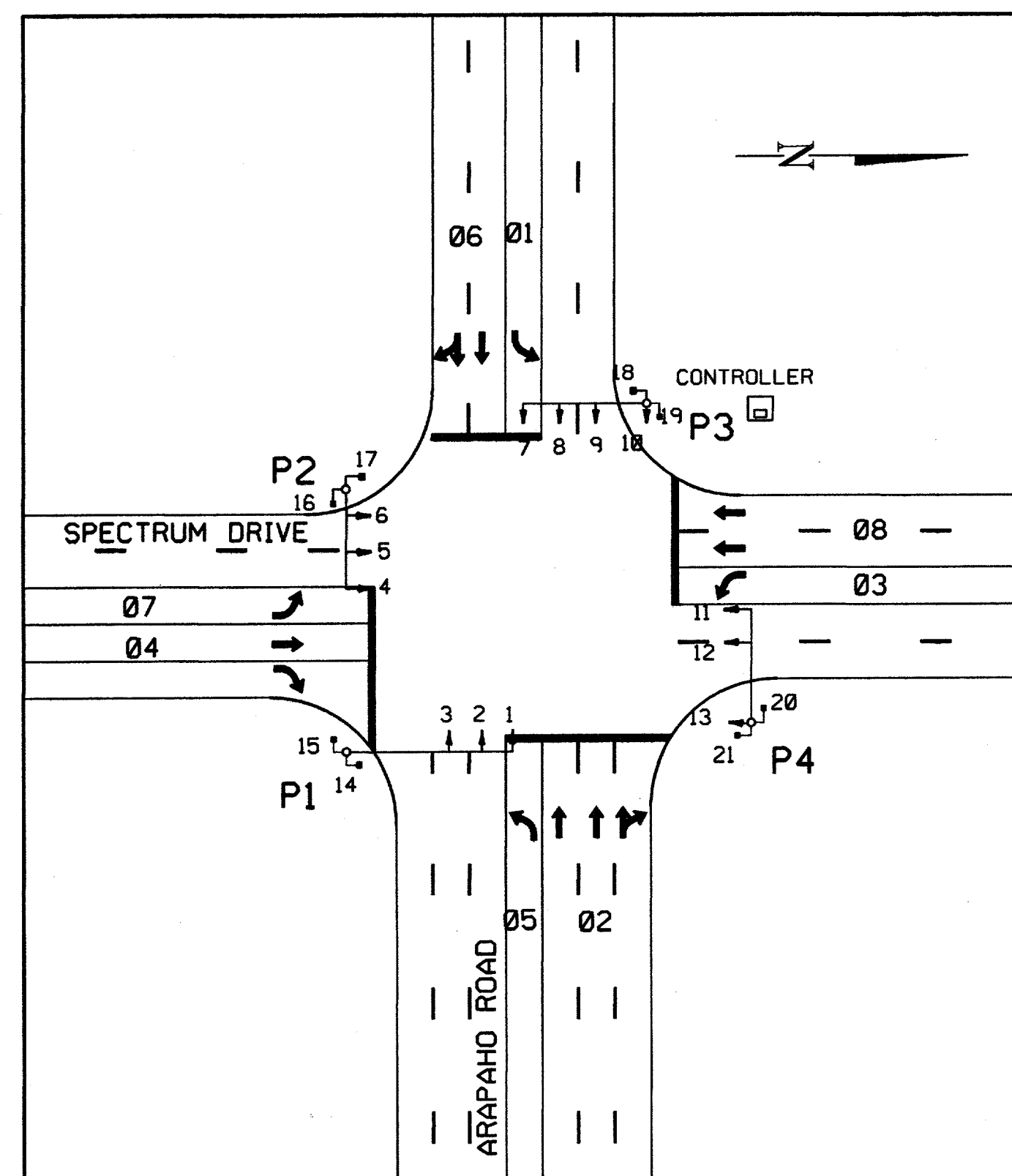


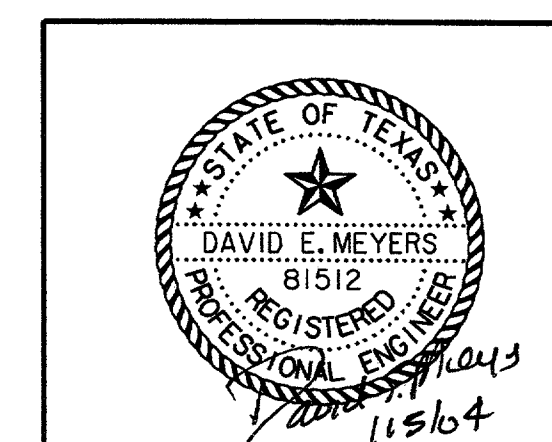
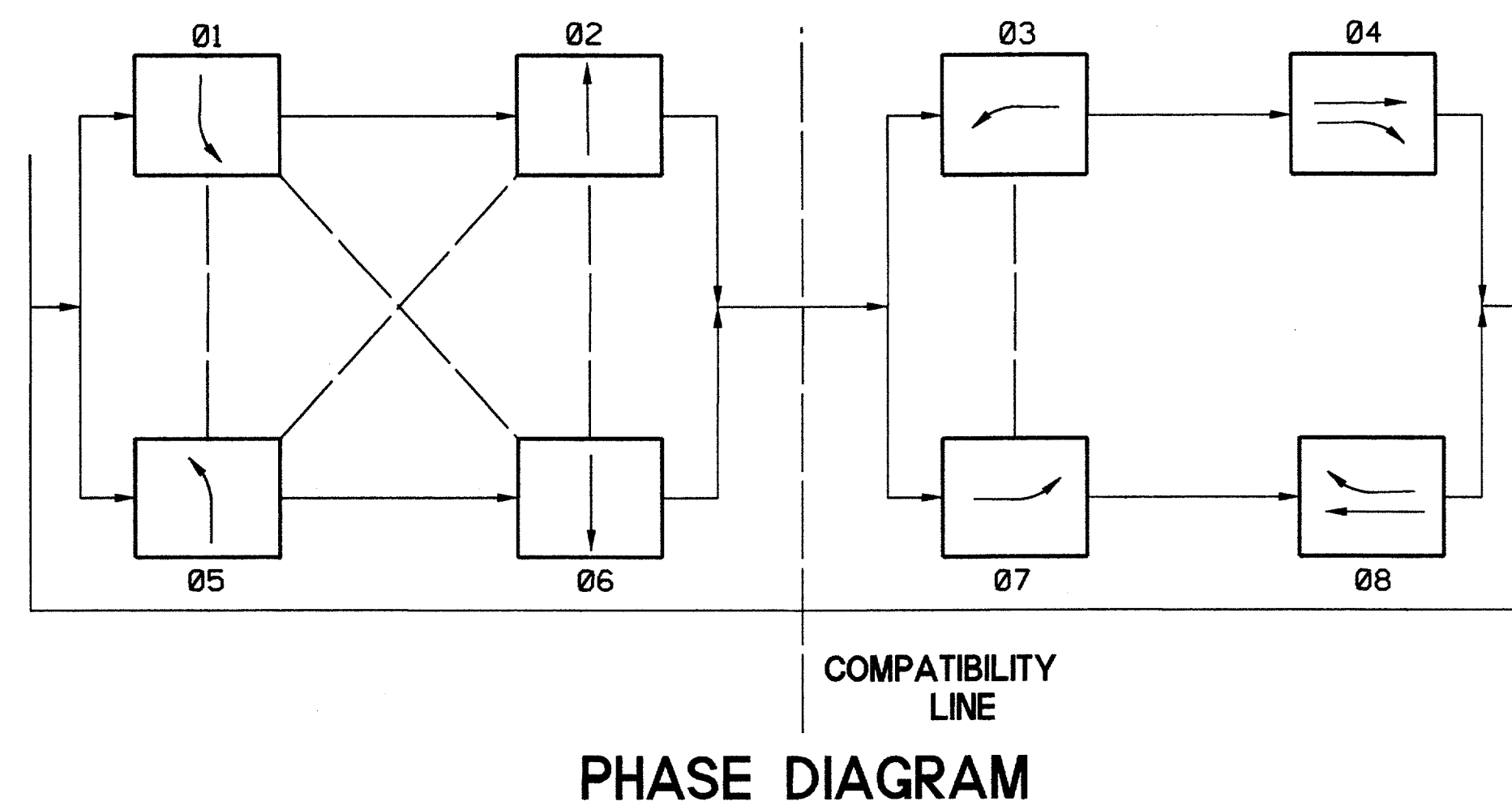
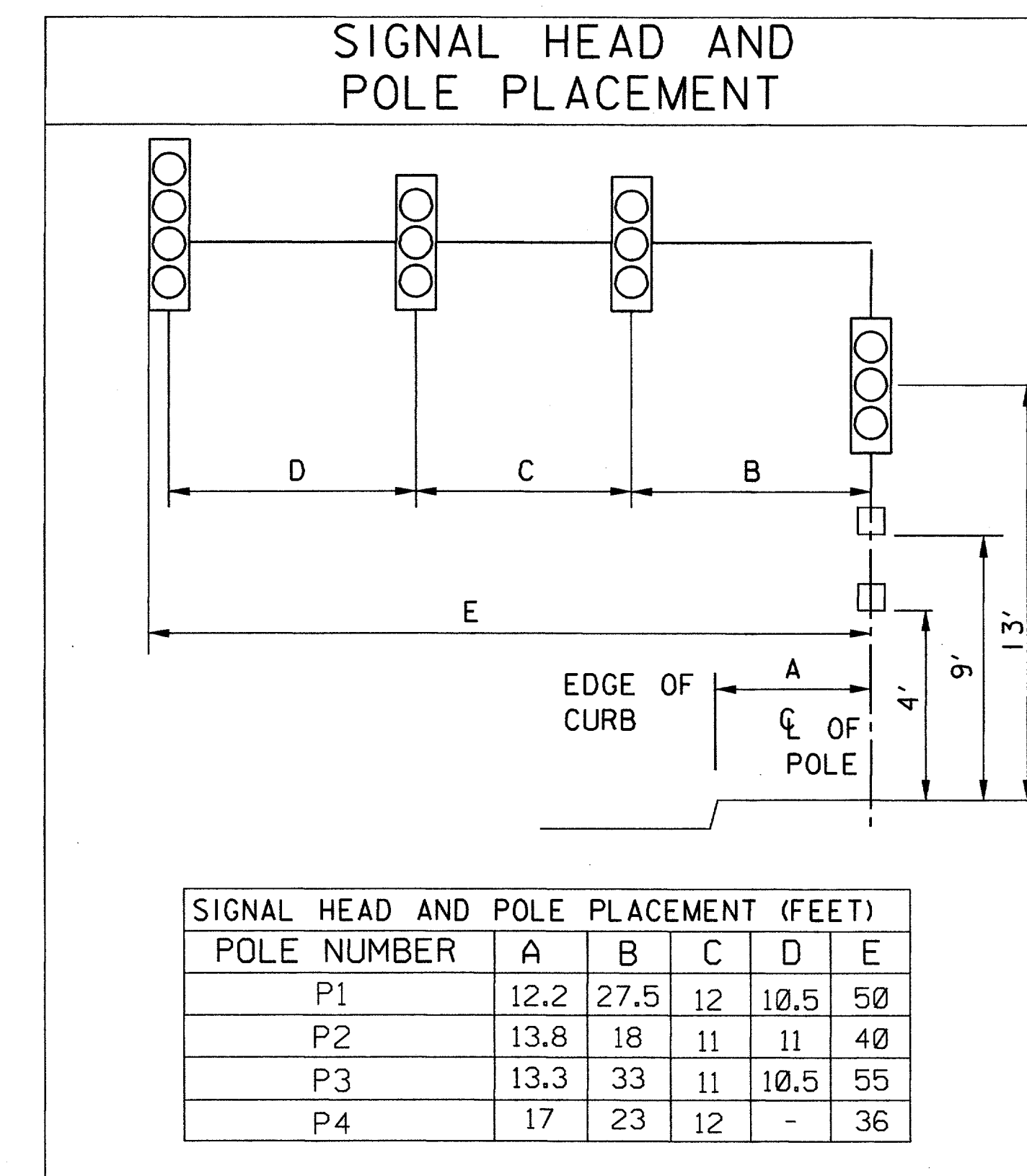
RUN NO.	SIZE/TYPE CONDUIT	CABLE TYPE						LENGTH OF RUN (FEET)
		#6 XHHW WIRE (POWER)	#6 AWG CU WIRE (GROUND)	4 CONDR #20 CABLE OPT	16 CONDR #14 CABLE	# 18 AWG VIDEO CABLE	#18 AWG CU WIRE (ILSNS)	
A	2-4"	3	1	4	4	4	4	1.5
B	3"	3	1					2
C	3"		1	1	1	1	1	8.5
*D	4"		1	2	2	2	2	110
E	3"		1	1	1	1	1	2
*F	4"		1	1	1	1	1	111.5
G	3"		1	1	1	1	1	2
H	4"		1	1	1	1	1	76
I	3"		1	1	1	1	1	3.5
**J	3"	3	1					400
ITEM TOTAL		1210.5	717	429.5	429.5	429.5	429.5	

- * BORED CONDUIT
- ** INSTALLED BY OTHERS

GROUND BOX SUMMARY	
TYPE	EACH
TYPE A W/APRON	
TYPE A W/O APRON	
TYPE C W/APRON	4



NO	TYPE	PHASE	BACKPLATE		12" VEH SEC	PED SIG SEC
			3 SEC	4 SEC		
			1	V4LLT		
2	V3	06	1		3	
3	V3	06	1		3	
4	V4LLT	03		1	4	
5	V3	08	1		3	
6	V3	08	1		3	
7	V4LLT	05		1	4	
8	V3	02	1		3	
9	V3	02	1		3	
10	V3	02	1		3	
11	V4LLT	07		1	4	
12	V3	04	1		3	
13	V3	04	1		3	
14	PED				1	
15	PED				1	
16	PED				1	
17	PED				1	
18	PED				1	
19	PED				1	
20	PED				1	
21	PED				1	
TOTAL			9	4	43	8



DATE	DESCRIPTION	REF NO.
1/05/04	ISSUED FOR CONSTRUCTION	
11/07/03	ISSUED FOR BID	

SIGNALIZATION PLAN
SPECTRUM DRIVE EXTENSION

TOWN OF ADDISON, TEXAS						
Hullitt - Zollars, Inc. 3131 McKinney Ave., Suite 600, Dallas, TX 75204 Phone: (214) 871-3311/Fax: (214) 871-0757						
DESIGN	DRAWN	APPR.	SCALE	DATE	PROJECT NO.	NO.
HZI	HZI	DEM	1"=20'	NOV 2003	01-3220-01	61