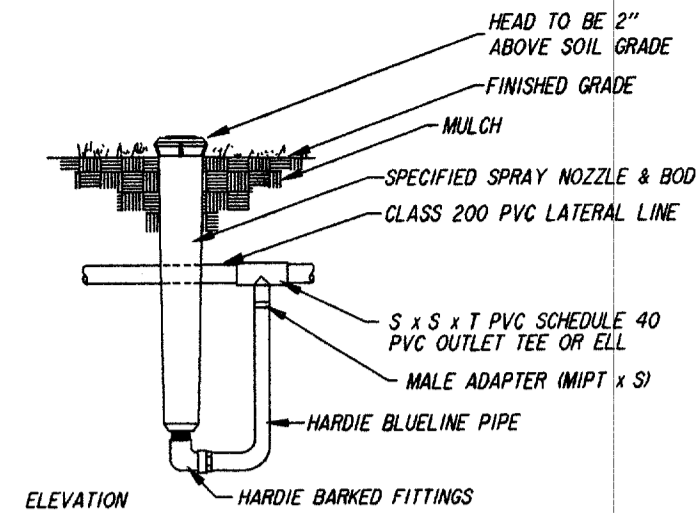
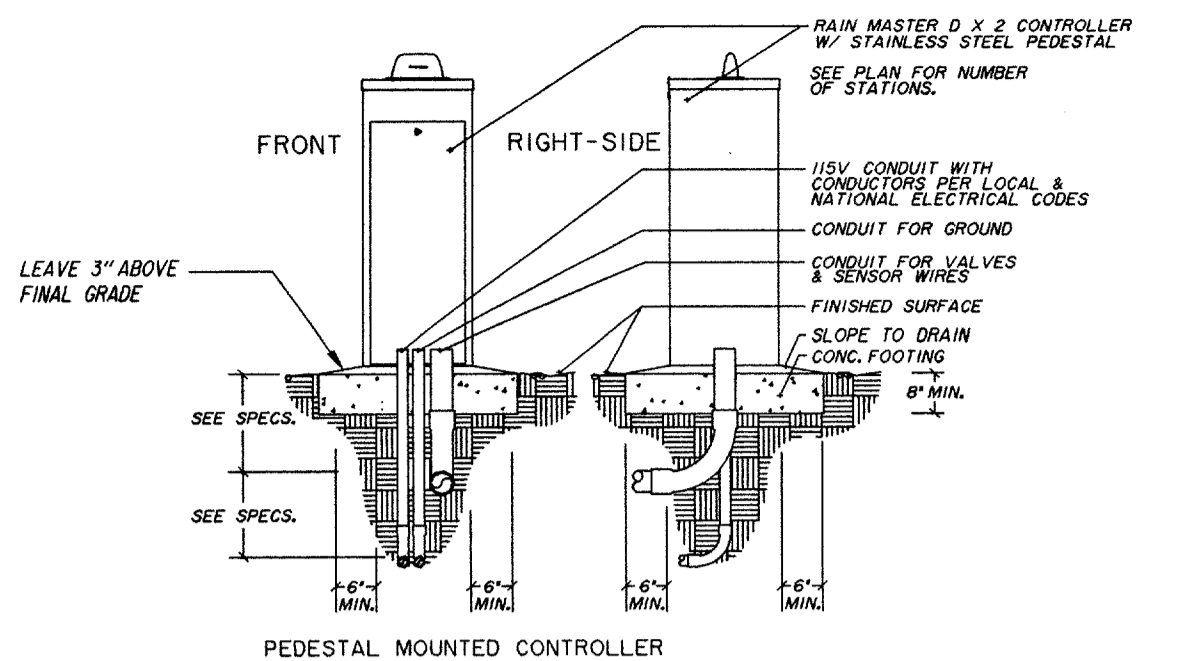


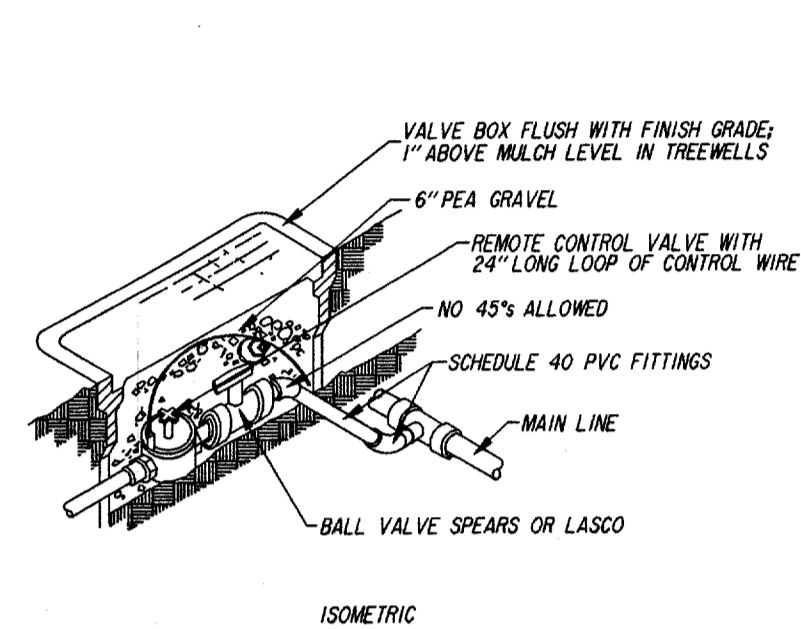
TREE WELL HEAD LAYOUT
not to scale



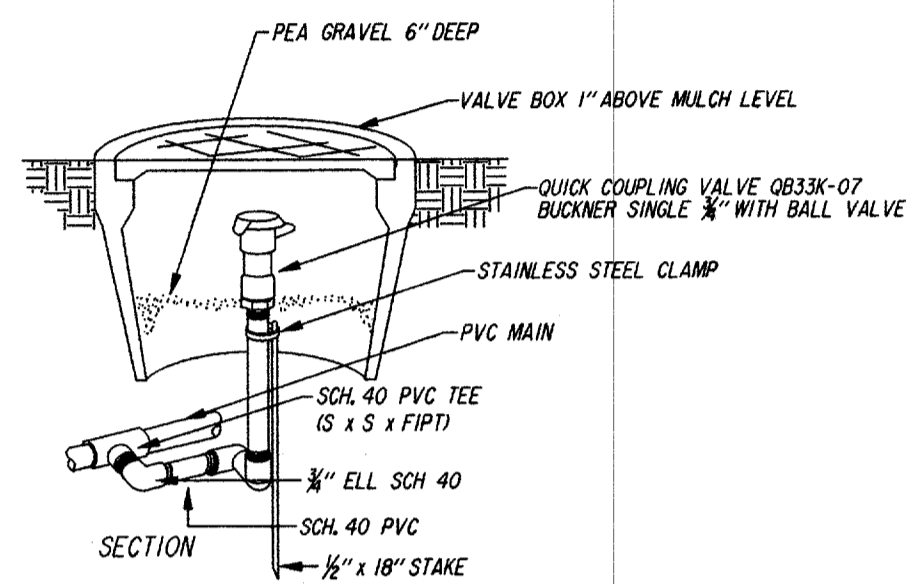
HIGH RISER ASSEMBLY
not to scale



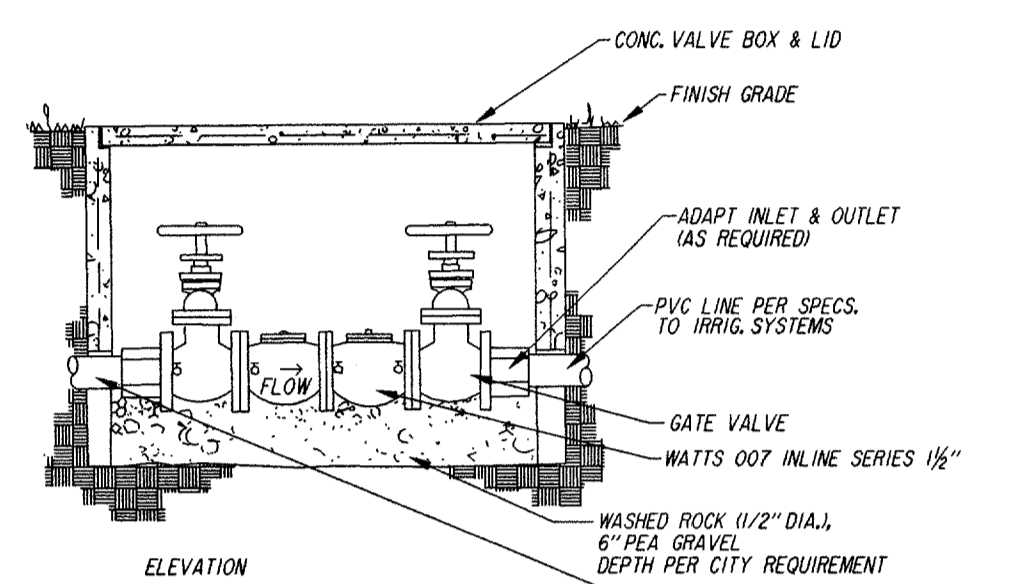
PEDESTAL MOUNTED CONTROLLER
not to scale



REMOTE CONTROL AND BALL VALVE
not to scale

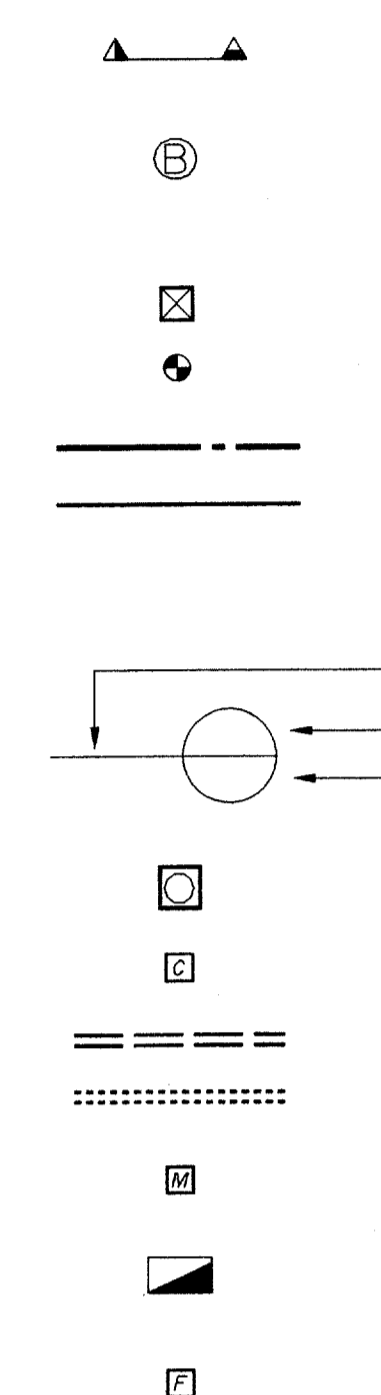


QUICK-COUPLING VALVE
not to scale



BACKFLOW PREVENTER
not to scale

IRRIGATION LEGEND



TORO POP-UP LOW ANGLE SHRUB SPRAY 570 MPR SERIES ON A NO. 570Z 12P BODY WITHOUT SIDE INLET. 8' HALF, 8' QUARTER NOZZLE.

TORO FLOOD BUBBLER FB-100-PC NOZZLE (0.95 gpm) USE APPROPRIATE SIZED 1/2" SCH. 80 RISER SO NOZZLE WILL NOT TOUCH BOTTOM OF GRATE AND NOZZLE WILL BE 2" ABOVE MULCH. (REF. DETAIL)

QUICK COUPLER VALVE-BUCKNER MODEL QCV075 & BALL VALVE. WEATHERMATIC 11000 SERIES WITH FLOW CONTROL, WITH PLASTIC LASCO OR SPEARS BALL VALVE UP STREAM OF VALVE.

SCHEDULE 40 PVC MAINLINE

CLASS 200 PVC LATERAL LINE, EXCEPT 1/2" INCH DIAMETER SHALL BE CLASS 315. NOTE: (ALL DIRECTLY BURIED LINE BENEATH PAVING SHALL BE SLEEVED IN SCHEDULE 40 PVC. ALL LINES UNDER PAVING SHALL BE SLEEVED, NO DIRECT BURIAL ALLOWED.)

GPM THROUGH VALVE

VALVE SEQUENCING NUMBER

SIZE OF VALVE

FLOW METER AND MASTER VALVE AND WIRING

STAINLESS STEEL PEDESTAL MOUNTED RAINMASTER WITH PHONE CONNECTION

4" CLASS 200 PVC SLEEVE

6" CLASS 200 PVC SLEEVE

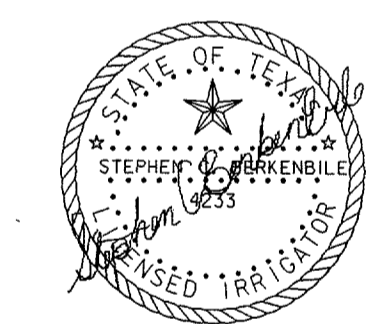
IRRIGATION WATER METER (MASTER METER BRAND) & TAPING SLEEVE (PROVIDE 1-1/2" IRRIGATION METER WITH 2" TAP)

WATTS DOUBLE CHECK VALVE: 1-1/2" #007 M SERIES IN LINE QT. IN FLUSH VALVE BOX WITH 2" TAP.

FREEZE SENSOR-GLEN-HILTON-#401

IRRIGATION NOTES

1. LINE LAYOUT IS DIAGRAMMATIC-ADJUST HEAD AND LINE LOCATIONS ON SITE TO ACCOMMODATE EXISTING JOB CONDITIONS, SLEEVE LOCATIONS AND TO ACHIEVE COMPLETE COVERAGE.
2. ALL MAIN LINE PIPING SHALL BE BURIED TO HAVE A MINIMUM COVER OF 14". ALL LATERAL PIPING DOWNSTREAM OF THE MAIN LINE SHALL BE BURIED TO HAVE A MINIMUM COVER OF 12".
3. ALL VALVE BOXES SHALL BE GREEN LID AND BLACK BODY (AMETEK) TEN(10") INCHES BY FOUTEEN(14") INCHES (RECTANGULAR) FOR REMOTE CONTROL VALVES AND TEN(10") INCHES (ROUND) FOR QUICK COUPLER VALVES.
4. CONTRACTOR SHALL NOTIFY THE LANDSCAPE ARCHITECT, IF THE STATIC PRESSURE IS LESS THAN THE DESIGN STATIC PRESSURE OF 65 PSI. PRESSURE REGULATION AT THE SOURCE SHALL BE REQUIRED IF PRESSURE IS GREATER THAN 75 PSI.
5. ALL WIRING FROM THE IRRIGATION CONTROLLER TO THE REMOTE CONTROL VALVES SHALL BE UF-14/1 DIRECT BURIAL CABLE. (WHITE FOR COMMON, RED FOR STATIONS AND BLUE FOR MASTER VALVE) ALL WIRE SPLICES SHALL BE MADE IN VALVE BOXES ONLY USING KING CONNECTORS AND SEALANT. PROVIDE SCHEDULE 40 SLEEVES FOR WIRE UNDER PAVED AREAS AS REQUIRED.
6. CONTRACTOR SHALL NOT TRENCH IN CRITICAL ROOT ZONE AREA FOR EXISTING TREES.
7. CONTRACTOR SHALL PROVIDE FOR RAINMASTER REMOTE CONTROL SYSTEM.
8. CONTRACTOR SHALL PROVIDE PHONE SERVICE AND ELECTRICAL SERVICE TO THE CONTROLLER.
9. NO FITTINGS WILL BE ALLOWED UNDER PAVED SURFACES WITHOUT SLEEVES.
10. ALL IRRIGATION INSTALLATION SHALL CONFORM TO THE LOCAL CODES AND REGULATIONS.
11. IRRIGATION SYSTEM SHALL BE INSTALLED AND FULLY OPERATIONAL BEFORE LANDSCAPING INSTALLATION.
12. IRRIGATION HEADS SHALL BE PLACED AND ADJUSTED SO AS NOT TO SPRAY ON ANY STRUCTURE, SIDEWALK OR STREET.
13. IRRIGATION HEADS SHALL BE PLACED AND SIZED SO AS NOT TO BE SUSCEPTIBLE TO DAMAGE BY AUTOMOBILE OVERHANGES.
14. IRRIGATION CONTRACTOR SHALL PLACE ADJUSTABLE ARC NOZZLES IN PLACE OF FIXED ARC NOZZLE AS NEEDED TO ELIMINATE OVERSPRAY ON TO PAVEMENT.
15. ADDISON'S SPECIFICATIONS SUPERSEDE ALL OTHER SPECIFICATIONS.



STEPHEN C BERKENBILE & ASSOCIATES
IRRIGATION DESIGN CONSULTANTS
411 HYDE PARK PLACE DUNCANVILLE, TX 75137 (972) 296-0724 FAX (972) 780-0048

DATE	DESCRIPTION	REF. NO.				
1/05/04	ISSUED FOR CONSTRUCTION					
11/07/03	ISSUED FOR BID					
IRRIGATION DETAILS						
SPECTRUM DRIVE EXTENSION						
TOWN OF ADDISON, TEXAS						
<small>HUFF - 2310rs, Inc. 3131 McKinney Ave., Suite 600 Dallas, TX 75204 Phone (214) 871-3311/Fax (214) 871-0757</small>						
DESIGN	DRAWN	APPR.	SCALE	DATE	PROJECT NO.	NO.
HZI	HZI	SCB	N.T.S.	NOV 2003	01-3220-01	72

P:\WORK\01322001\01322001.DGN
 P:\WORK\01322001\01322001.DWG
 P:\WORK\01322001\01322001.DWT
 P:\WORK\01322001\01322001.DXD
 P:\WORK\01322001\01322001.DYS
 P:\WORK\01322001\01322001.DZ
 P:\WORK\01322001\01322001.DZ1
 P:\WORK\01322001\01322001.DZ2
 P:\WORK\01322001\01322001.DZ3
 P:\WORK\01322001\01322001.DZ4
 P:\WORK\01322001\01322001.DZ5
 P:\WORK\01322001\01322001.DZ6
 P:\WORK\01322001\01322001.DZ7
 P:\WORK\01322001\01322001.DZ8
 P:\WORK\01322001\01322001.DZ9
 P:\WORK\01322001\01322001.DZ10
 P:\WORK\01322001\01322001.DZ11
 P:\WORK\01322001\01322001.DZ12
 P:\WORK\01322001\01322001.DZ13
 P:\WORK\01322001\01322001.DZ14
 P:\WORK\01322001\01322001.DZ15
 P:\WORK\01322001\01322001.DZ16
 P:\WORK\01322001\01322001.DZ17
 P:\WORK\01322001\01322001.DZ18
 P:\WORK\01322001\01322001.DZ19
 P:\WORK\01322001\01322001.DZ20
 P:\WORK\01322001\01322001.DZ21
 P:\WORK\01322001\01322001.DZ22
 P:\WORK\01322001\01322001.DZ23
 P:\WORK\01322001\01322001.DZ24
 P:\WORK\01322001\01322001.DZ25
 P:\WORK\01322001\01322001.DZ26
 P:\WORK\01322001\01322001.DZ27
 P:\WORK\01322001\01322001.DZ28
 P:\WORK\01322001\01322001.DZ29
 P:\WORK\01322001\01322001.DZ30
 P:\WORK\01322001\01322001.DZ31
 P:\WORK\01322001\01322001.DZ32
 P:\WORK\01322001\01322001.DZ33
 P:\WORK\01322001\01322001.DZ34
 P:\WORK\01322001\01322001.DZ35
 P:\WORK\01322001\01322001.DZ36
 P:\WORK\01322001\01322001.DZ37
 P:\WORK\01322001\01322001.DZ38
 P:\WORK\01322001\01322001.DZ39
 P:\WORK\01322001\01322001.DZ40
 P:\WORK\01322001\01322001.DZ41
 P:\WORK\01322001\01322001.DZ42
 P:\WORK\01322001\01322001.DZ43
 P:\WORK\01322001\01322001.DZ44
 P:\WORK\01322001\01322001.DZ45
 P:\WORK\01322001\01322001.DZ46
 P:\WORK\01322001\01322001.DZ47
 P:\WORK\01322001\01322001.DZ48
 P:\WORK\01322001\01322001.DZ49
 P:\WORK\01322001\01322001.DZ50
 P:\WORK\01322001\01322001.DZ51
 P:\WORK\01322001\01322001.DZ52
 P:\WORK\01322001\01322001.DZ53
 P:\WORK\01322001\01322001.DZ54
 P:\WORK\01322001\01322001.DZ55
 P:\WORK\01322001\01322001.DZ56
 P:\WORK\01322001\01322001.DZ57
 P:\WORK\01322001\01322001.DZ58
 P:\WORK\01322001\01322001.DZ59
 P:\WORK\01322001\01322001.DZ60
 P:\WORK\01322001\01322001.DZ61
 P:\WORK\01322001\01322001.DZ62
 P:\WORK\01322001\01322001.DZ63
 P:\WORK\01322001\01322001.DZ64
 P:\WORK\01322001\01322001.DZ65
 P:\WORK\01322001\01322001.DZ66
 P:\WORK\01322001\01322001.DZ67
 P:\WORK\01322001\01322001.DZ68
 P:\WORK\01322001\01322001.DZ69
 P:\WORK\01322001\01322001.DZ70
 P:\WORK\01322001\01322001.DZ71
 P:\WORK\01322001\01322001.DZ72
 P:\WORK\01322001\01322001.DZ73
 P:\WORK\01322001\01322001.DZ74
 P:\WORK\01322001\01322001.DZ75
 P:\WORK\01322001\01322001.DZ76
 P:\WORK\01322001\01322001.DZ77
 P:\WORK\01322001\01322001.DZ78
 P:\WORK\01322001\01322001.DZ79
 P:\WORK\01322001\01322001.DZ80
 P:\WORK\01322001\01322001.DZ81
 P:\WORK\01322001\01322001.DZ82
 P:\WORK\01322001\01322001.DZ83
 P:\WORK\01322001\01322001.DZ84
 P:\WORK\01322001\01322001.DZ85
 P:\WORK\01322001\01322001.DZ86
 P:\WORK\01322001\01322001.DZ87
 P:\WORK\01322001\01322001.DZ88
 P:\WORK\01322001\01322001.DZ89
 P:\WORK\01322001\01322001.DZ90
 P:\WORK\01322001\01322001.DZ91
 P:\WORK\01322001\01322001.DZ92
 P:\WORK\01322001\01322001.DZ93
 P:\WORK\01322001\01322001.DZ94
 P:\WORK\01322001\01322001.DZ95
 P:\WORK\01322001\01322001.DZ96
 P:\WORK\01322001\01322001.DZ97
 P:\WORK\01322001\01322001.DZ98
 P:\WORK\01322001\01322001.DZ99
 P:\WORK\01322001\01322001.DZ100