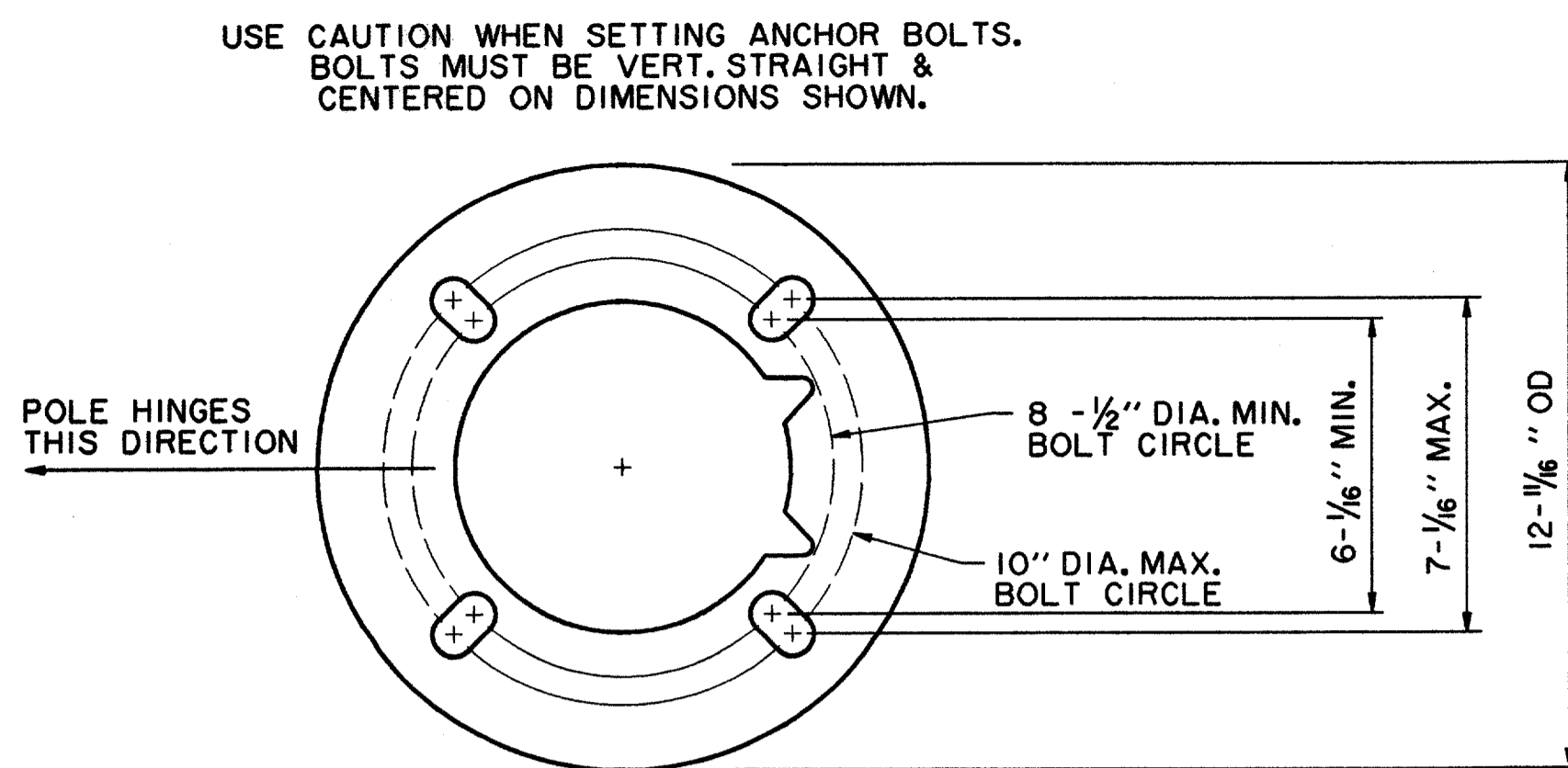


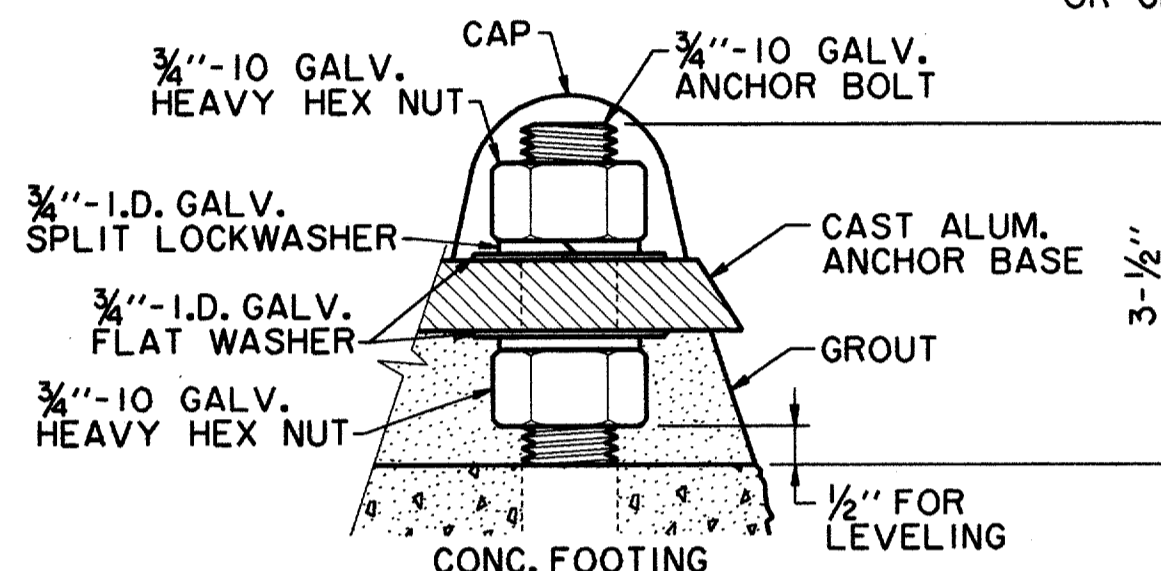
SUBSURFACE DRAIN SYSTEM DETAIL
(SECTION PERPENDICULAR TO CURB)

N.T.S.
(TO BE USED ON ALL TREES UNLESS OTHERWISE NOTED)



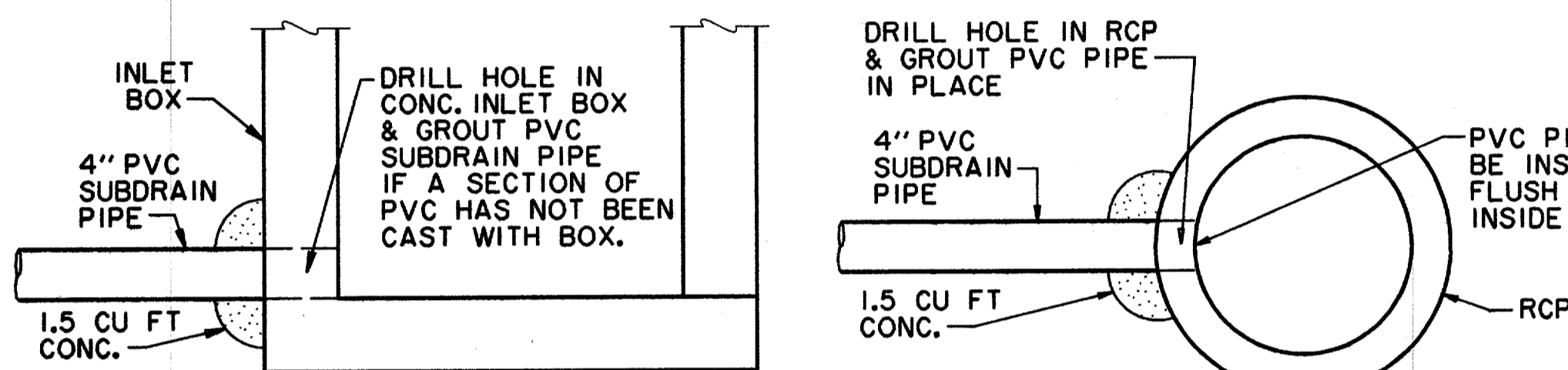
ROUND BOTTOM HINGE BASE ANCHOR BOLT TEMPLATE

NOTE:
ADEQUATE DRAINAGE MUST BE PROVIDED IN CONC. FOUNDATION OR GROUT.



BOLT PROJECTION DETAIL

N.T.S.

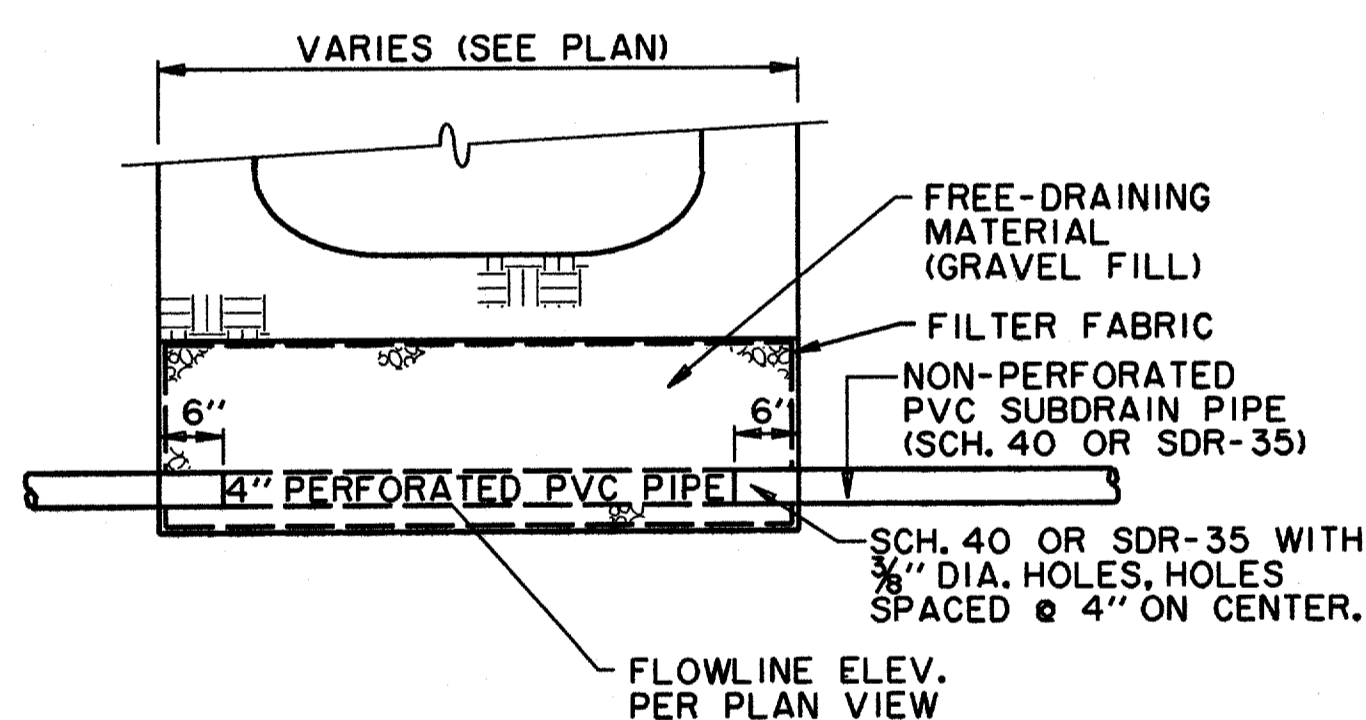


PVC SUBDRAIN PIPE CONNECTION TO INLET BOX

N.T.S.

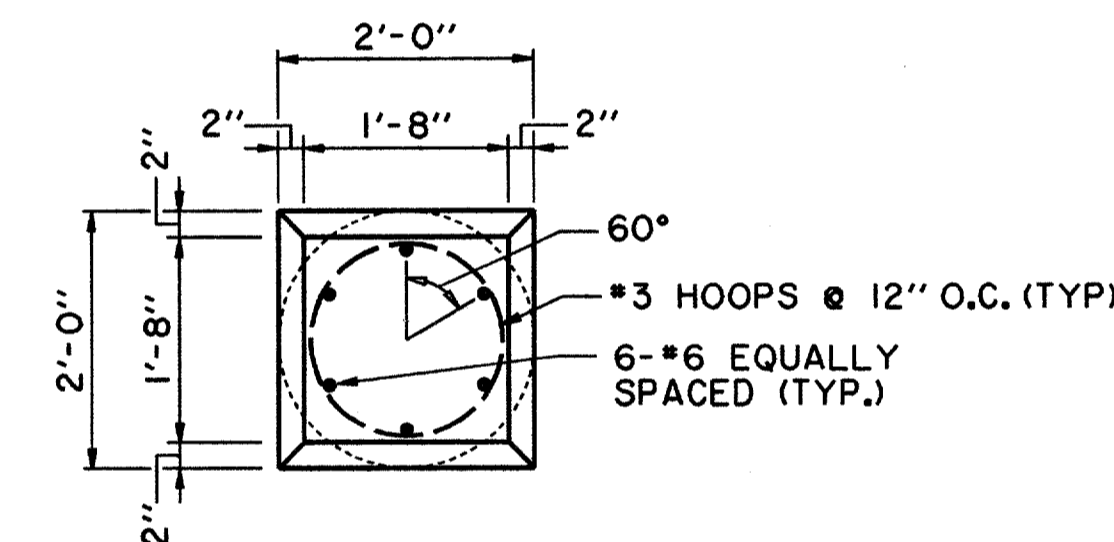
PVC SUBDRAIN PIPE CONNECTION TO STORM DRAINAGE PIPE

N.T.S.



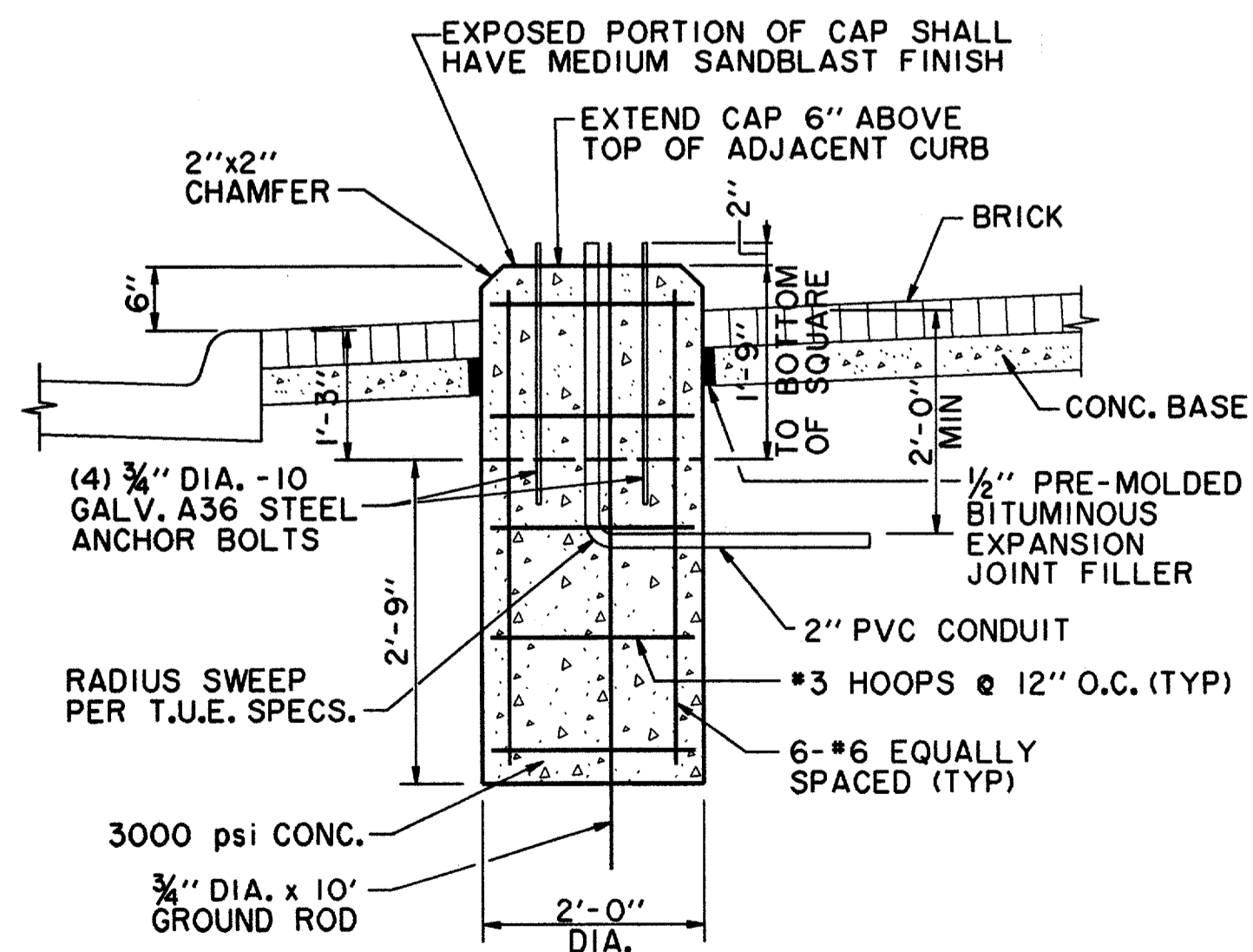
SUBSURFACE DRAIN SYSTEM DETAIL
(SECTION PARALLEL TO CURB)

N.T.S.



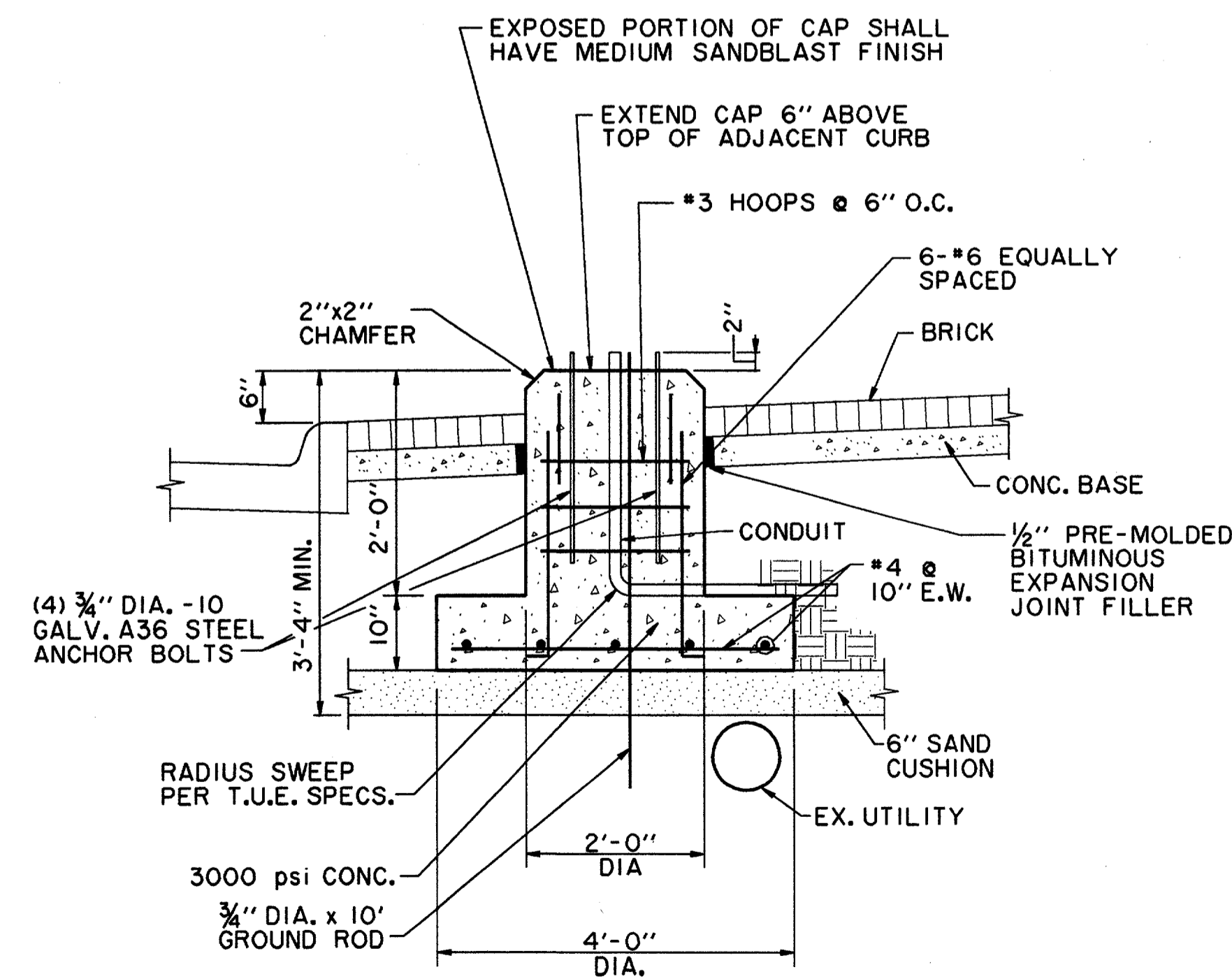
LIGHT FIXTURE FOUNDATION AND CAP PLAN

N.T.S.



PEDESTRIAN LIGHT FIXTURE FOUNDATION AND CAP SECTION

N.T.S.



ALTERNATE PEDESTRIAN LIGHT FIXTURE FOOTING AT UTILITY CONFLICT

N.T.S.

(NOT TO BE USED FOR HANGING LIGHT FOUNDATION)

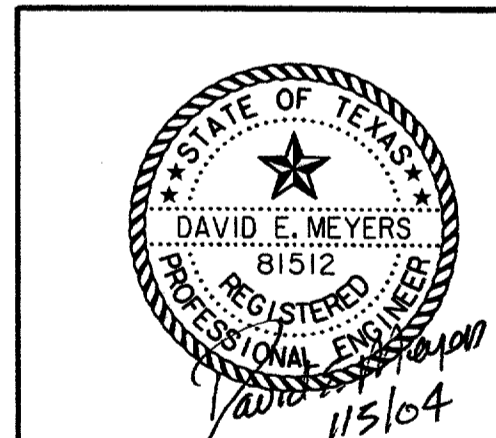
STREET LIGHTING NOTES

1. THE PEDESTRIAN STREET LIGHTING FOR THIS PROJECT WILL CONSIST OF INSTALLATION OF 2" PVC CONDUIT, LIGHT POLE BASES, PULL BOXES (HANDHOLES), LIGHT POLES, LUMINAIRES, WIRING & CONNECTION TO POWER SOURCE AS A COMPLETE SYSTEM PER DETAILED SPECIFICATIONS.
2. ALL STREET LIGHTING CONDUIT IS TO BE INSTALLED WITH A MIN. OF 24 INCHES OF COVER TO THE TOP OF THE PIPE FROM FINISHED PVMT. TO AVOID CONFLICT WITH IRRIGATION LINES WHICH WILL BE @ 12" & 18" DEPTH. CONDUIT SHOULD BE NO DEEPER THAN 36" TO AVOID CONFLICT WITH OTHER UTILITIES.
3. FOR THE PURPOSES OF COORDINATION, PEDESTRIAN LIGHTS TO BE INSTALLED PER THE STREETScape PLANS FOR THIS PROJECT WILL BE THE FOLLOWING:

THIS POLE WILL BE INSTALLED WITH A 175 WATT METAL HALIDE BEGA 9801 ED-17MH/120V FIXTURE & LUMINAIRE.

POLES WILL BE PRIMED & PAINTED AT THE FACTORY.

4. LOCATIONS OF ANY STREET LIGHTS MAY NOT BE ALTERED WITHOUT PERMISSION FROM THE ENGINEER.
5. THE LETTER "C" SHALL BE STAMPED OR CHISELED ON CURB AT ALL LOCATIONS OF CONDUIT UNDER STREETS, DRIVES AND INTERSECTIONS.



DATE	DESCRIPTION	REF. NO.
1/05/04	ISSUED FOR CONSTRUCTION	
11/07/03	ISSUED FOR BID	

STREETScape DETAILS
SPECTRUM DRIVE EXTENSION

TOWN OF ADDISON, TEXAS						
HUTH - ZSITORS, Inc.						
3131 McKinney Ave., Suite 600, Dallas, TX 75204						
Phone: (214) 871-3311/Fax: (214) 871-0757						
DESIGN	DRAWN	APPR.	SCALE	DATE	PROJECT NO.	NO.
HZI	HZI	DEM	N.T.S.	NOV 2003	01-3220-01	13