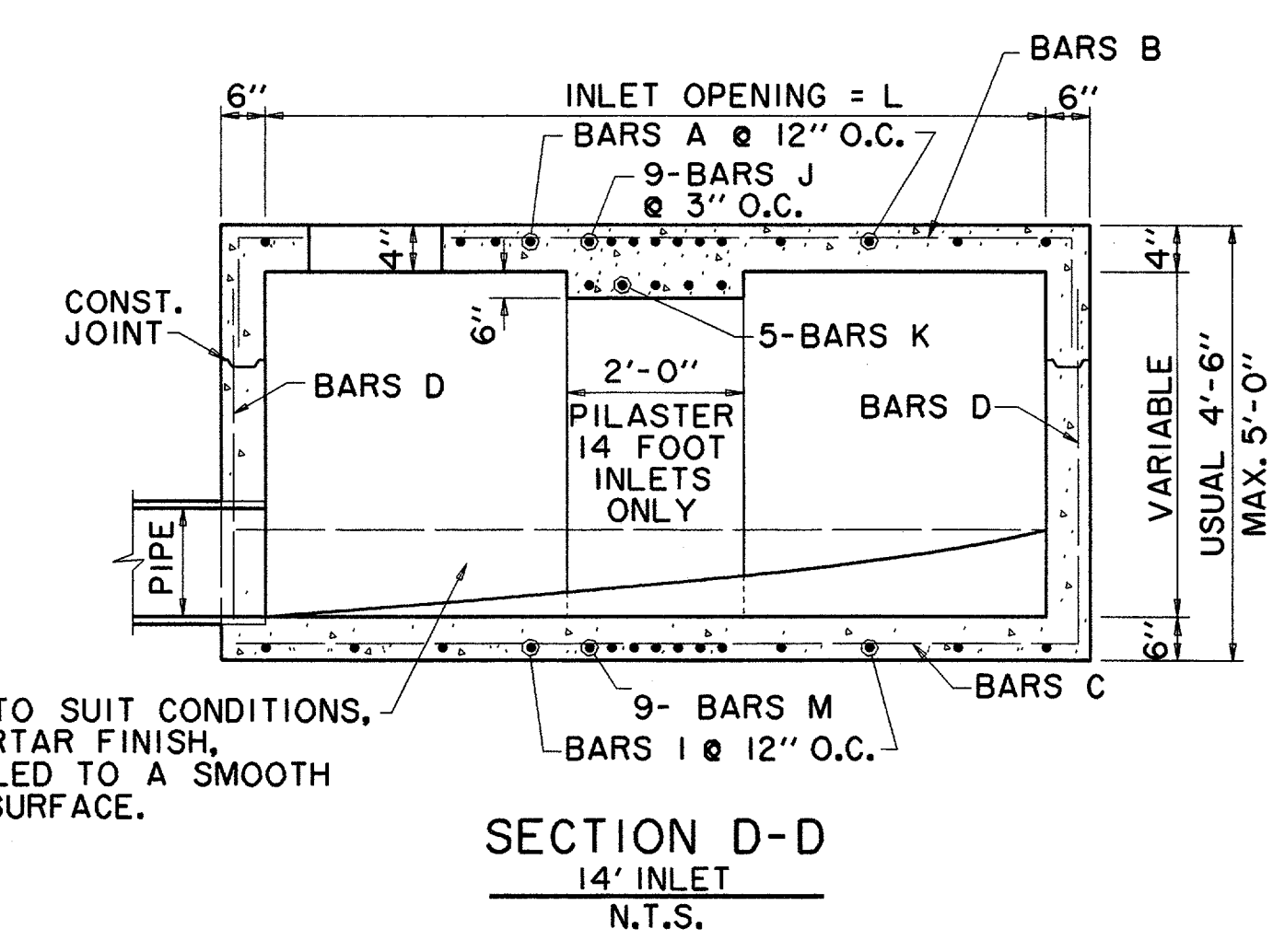
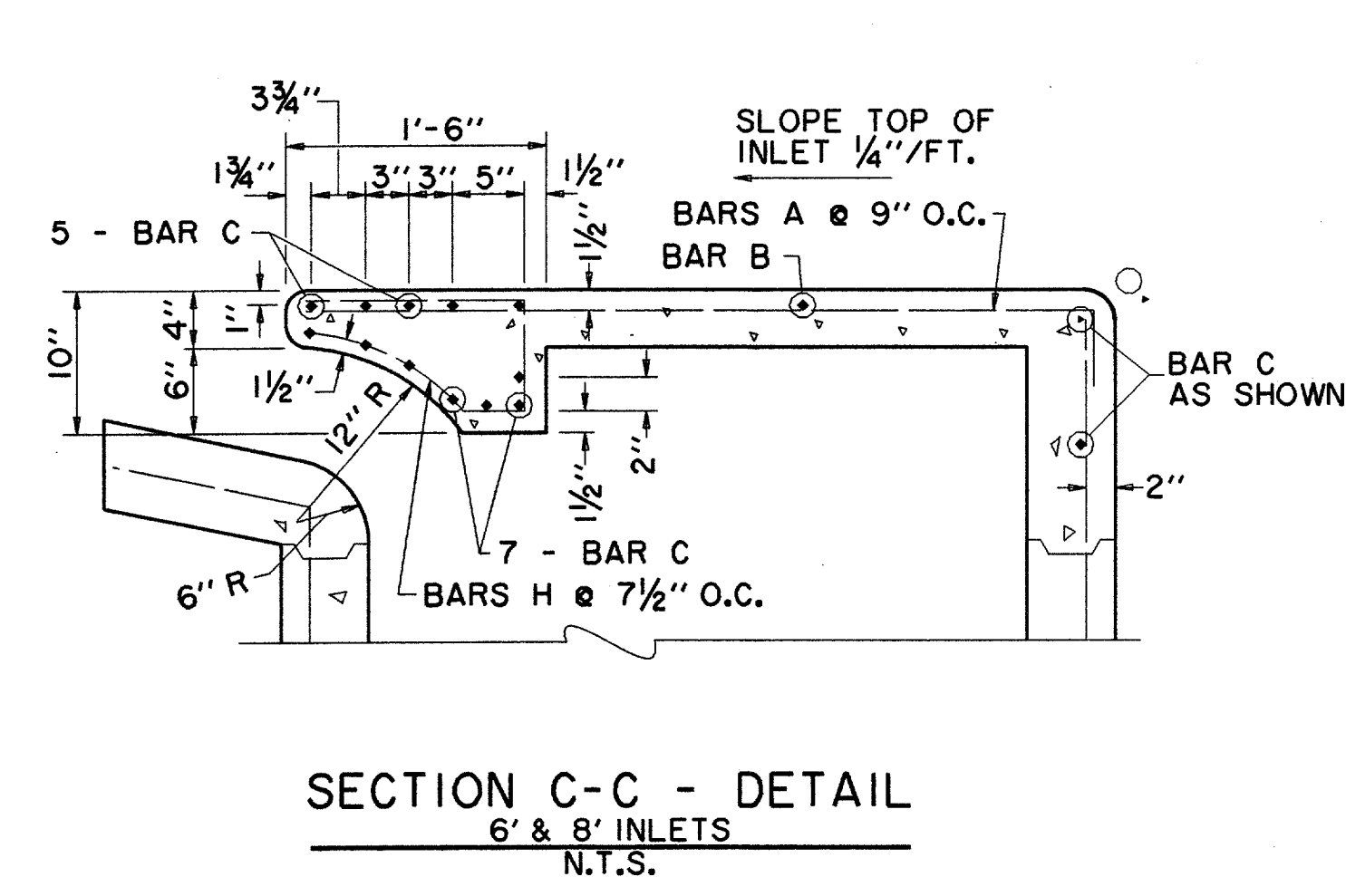
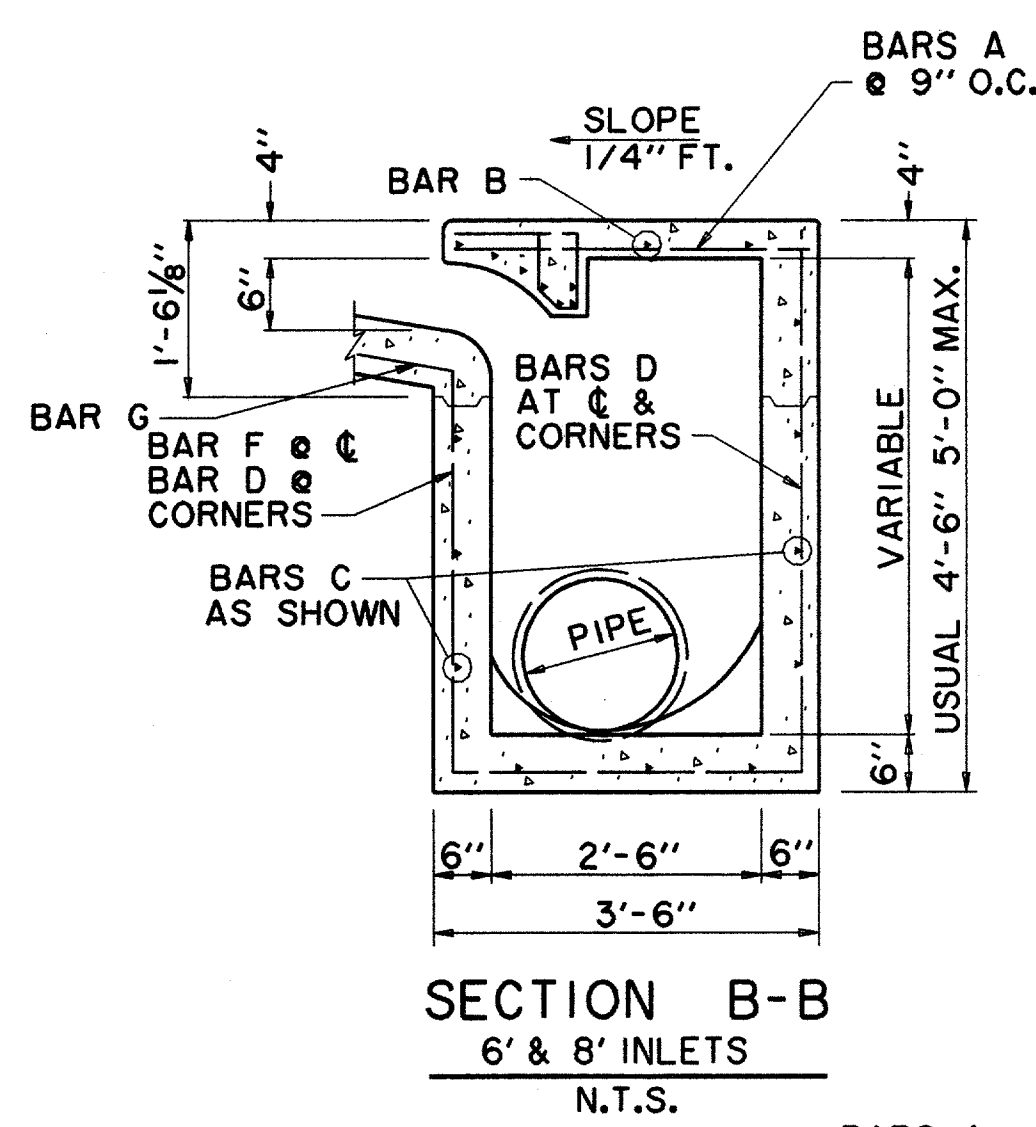
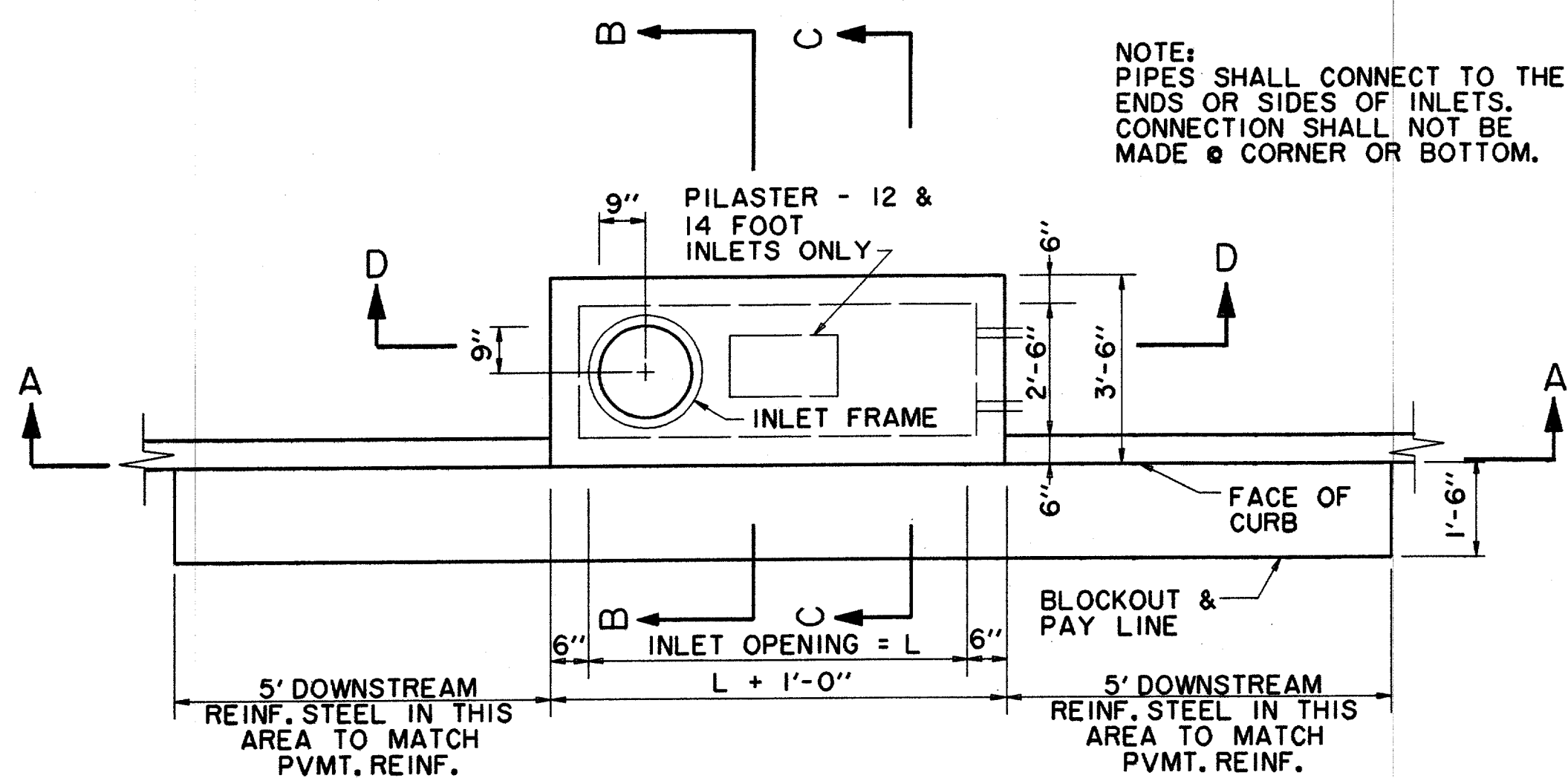
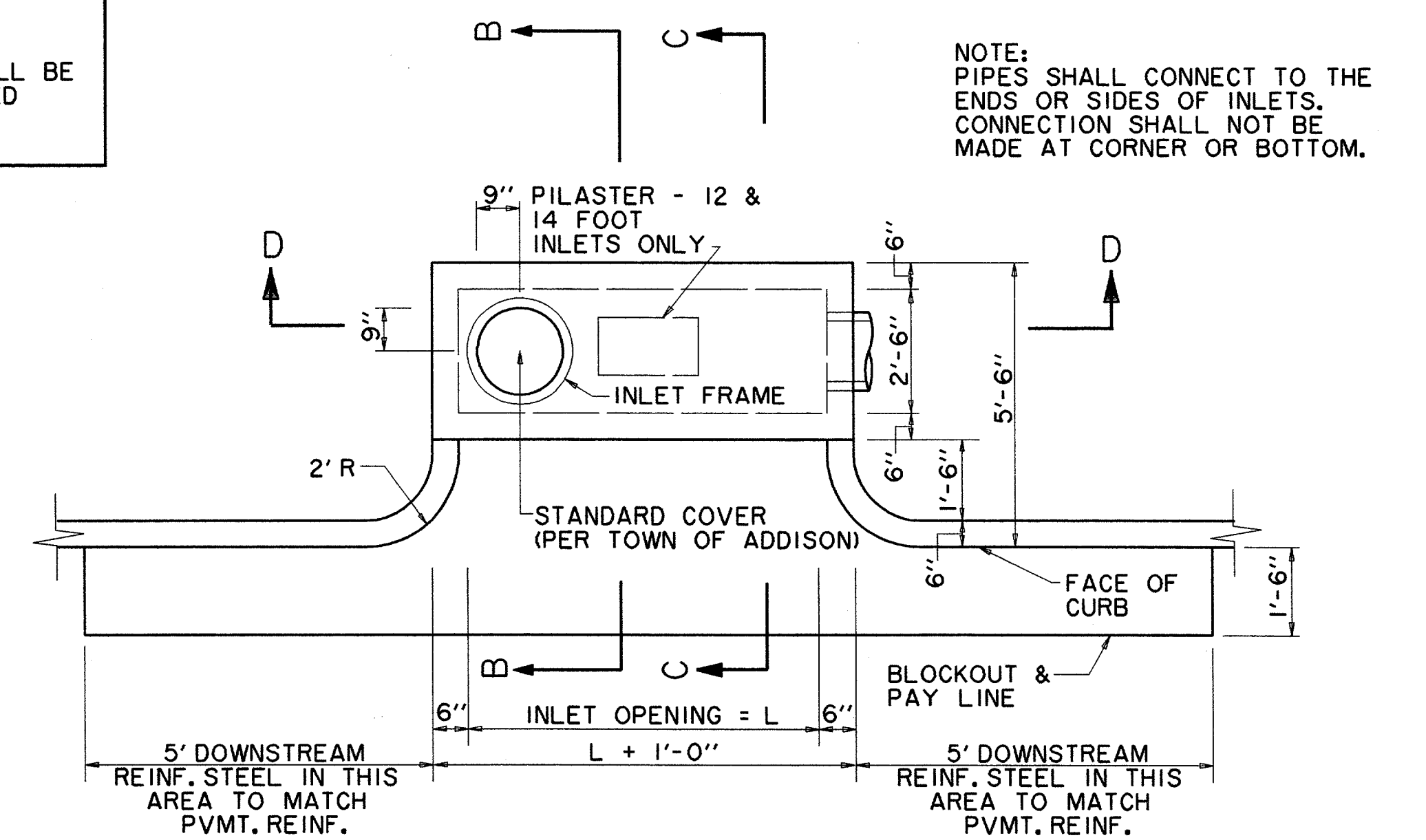


NOTE:  
PIPES SHALL CONNECT TO THE  
ENDS OR SIDES OF INLETS.  
CONNECTION SHALL NOT BE  
MADE @ CORNER OR BOTTOM.

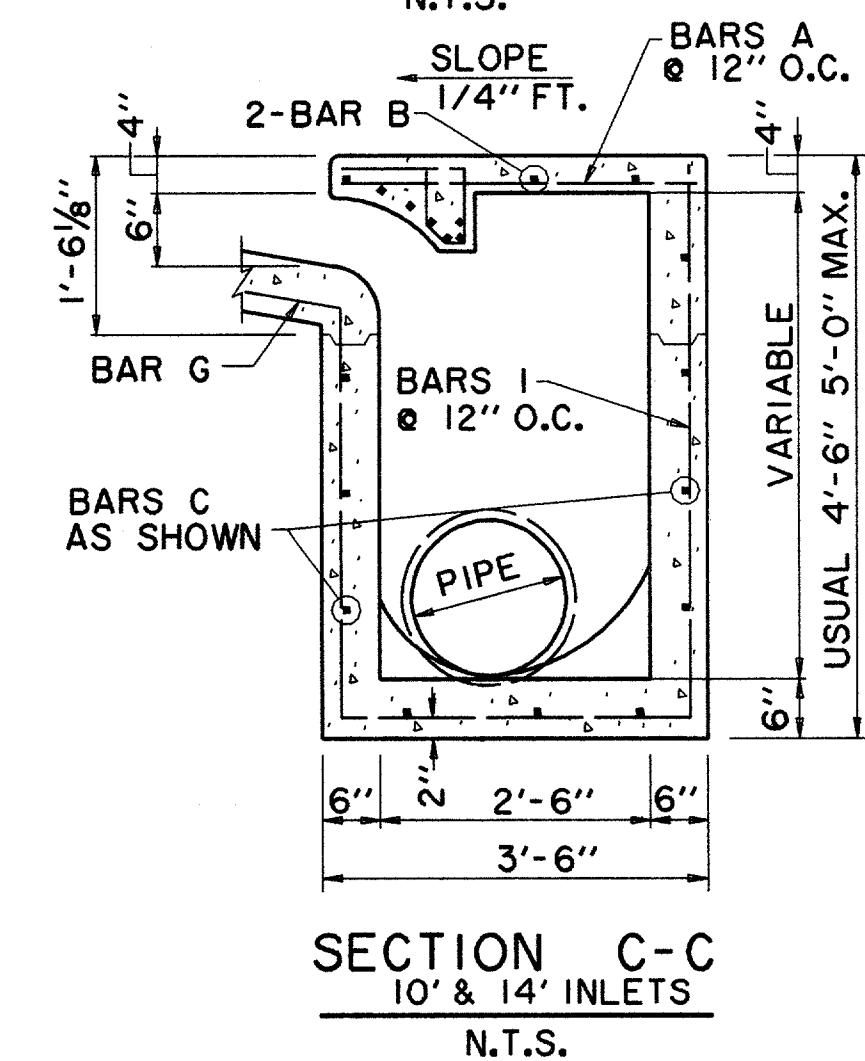
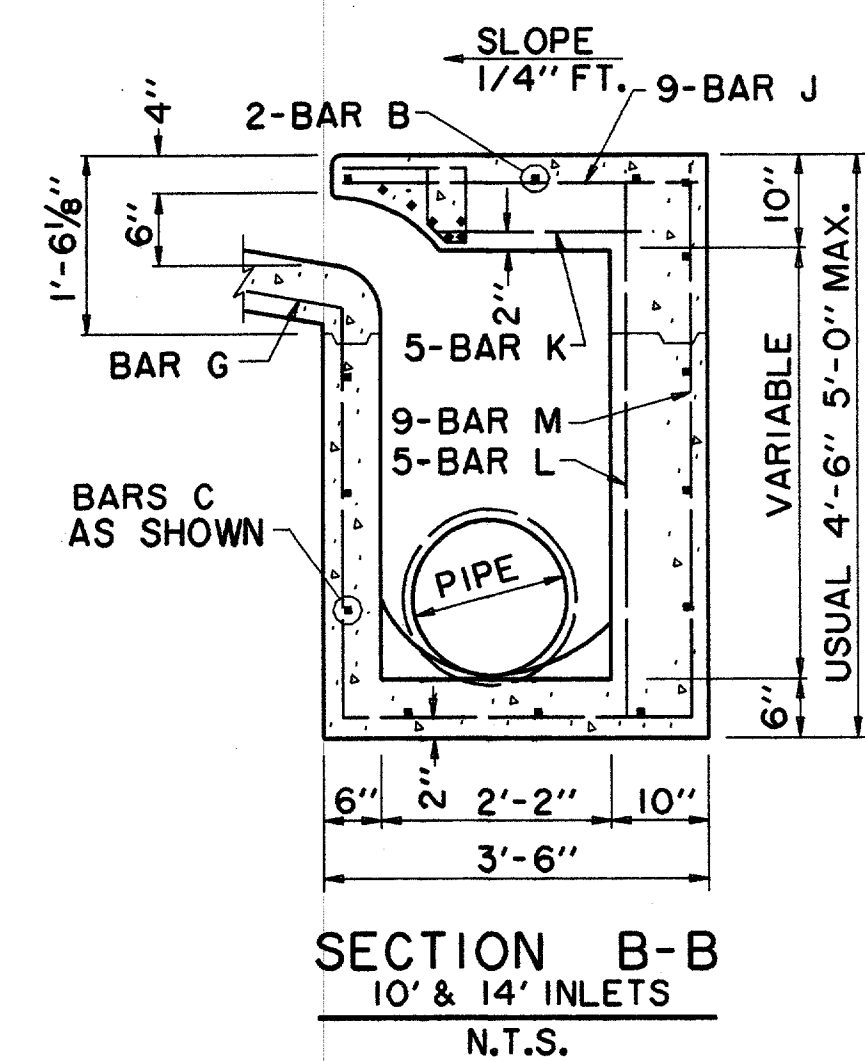
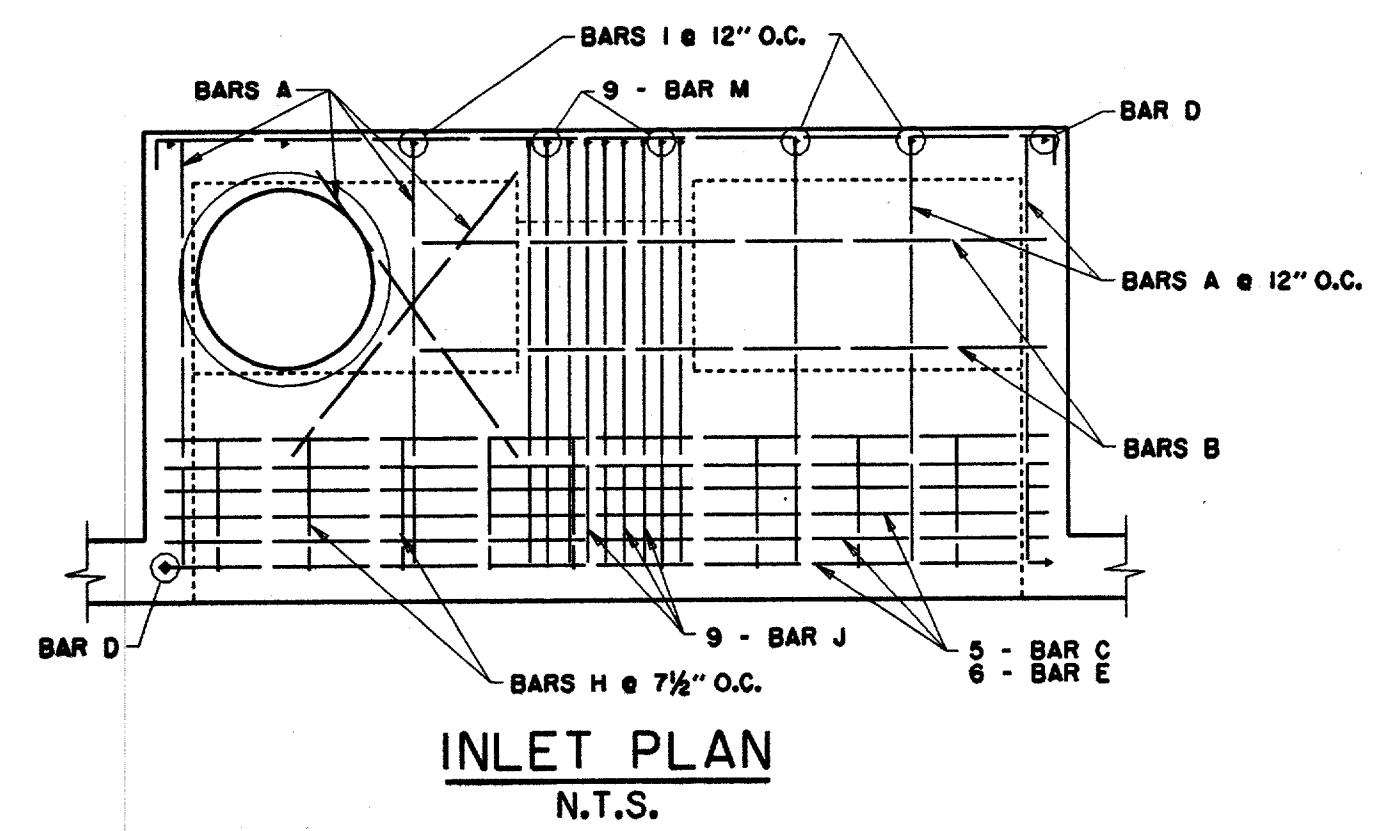


WARP TO SUIT CONDITIONS,  
1/2" MORTAR FINISH,  
TROWELED TO A SMOOTH  
HARD SURFACE.

NOTE:  
ALL INLET & MANHOLE WALLS SHALL BE FORMED. POORING AGAINST EXPOSED EARTH WILL NOT BE PERMITTED.



NOTE:  
PIPES SHALL CONNECT TO THE  
ENDS OR SIDES OF INLETS.  
CONNECTION SHALL NOT BE  
MADE AT CORNER OR BOTTOM.

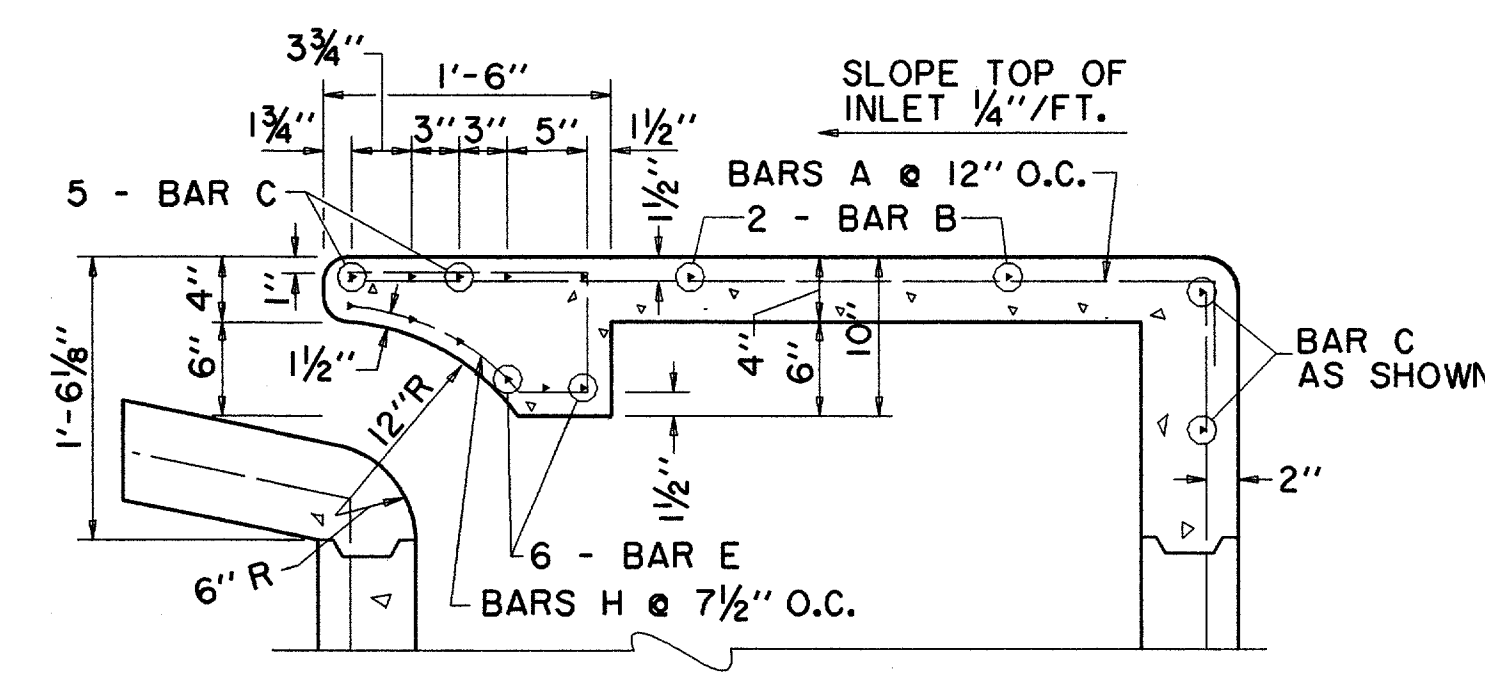


REINFORCING STEEL SCHEDULE

DIMENSION SHOWN ARE FOR MAXIMUM SIZE INLETS

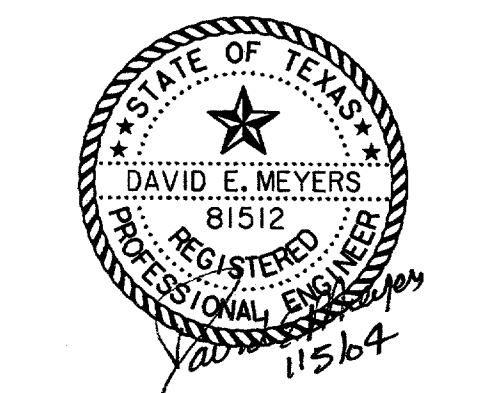
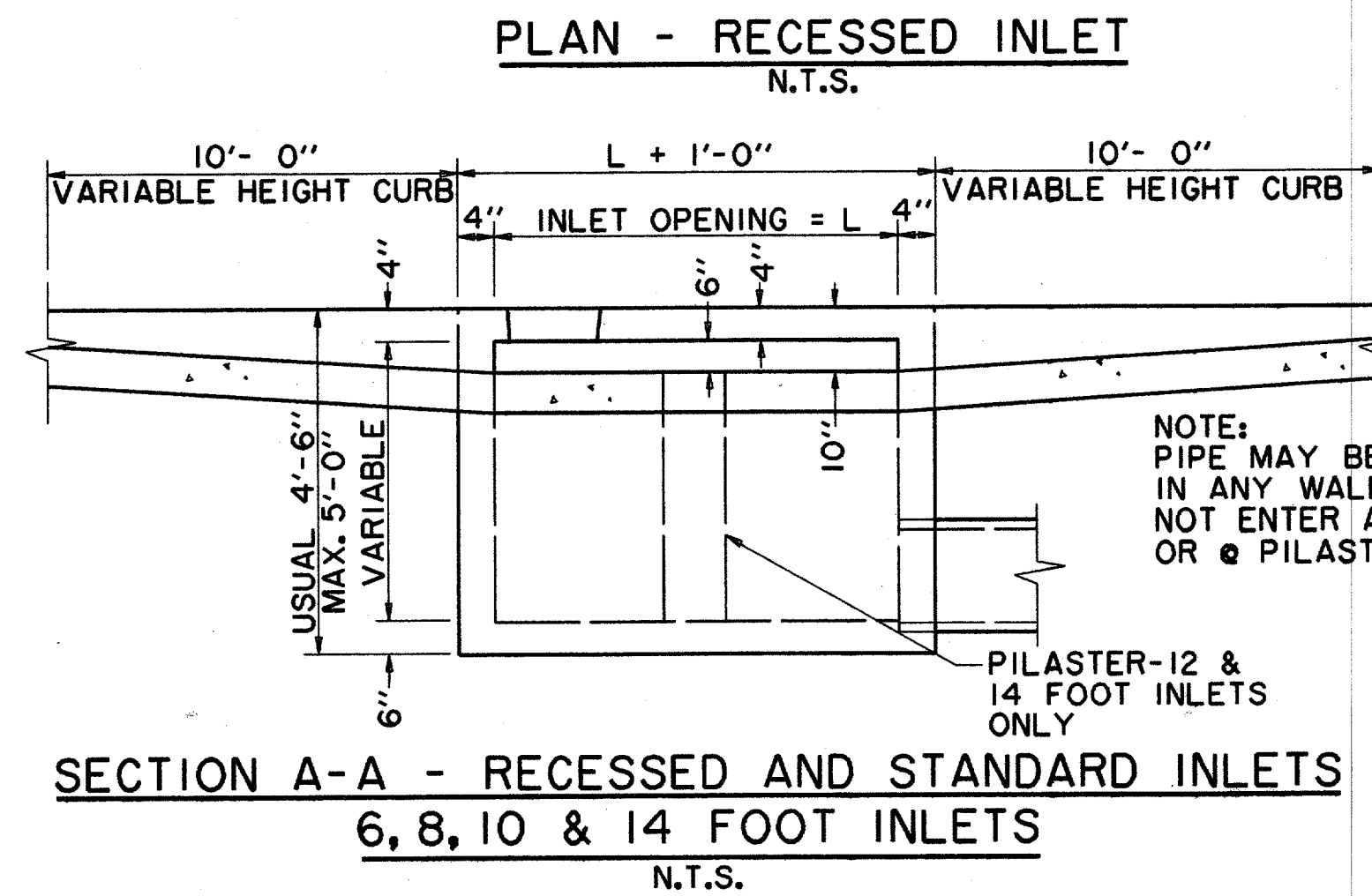
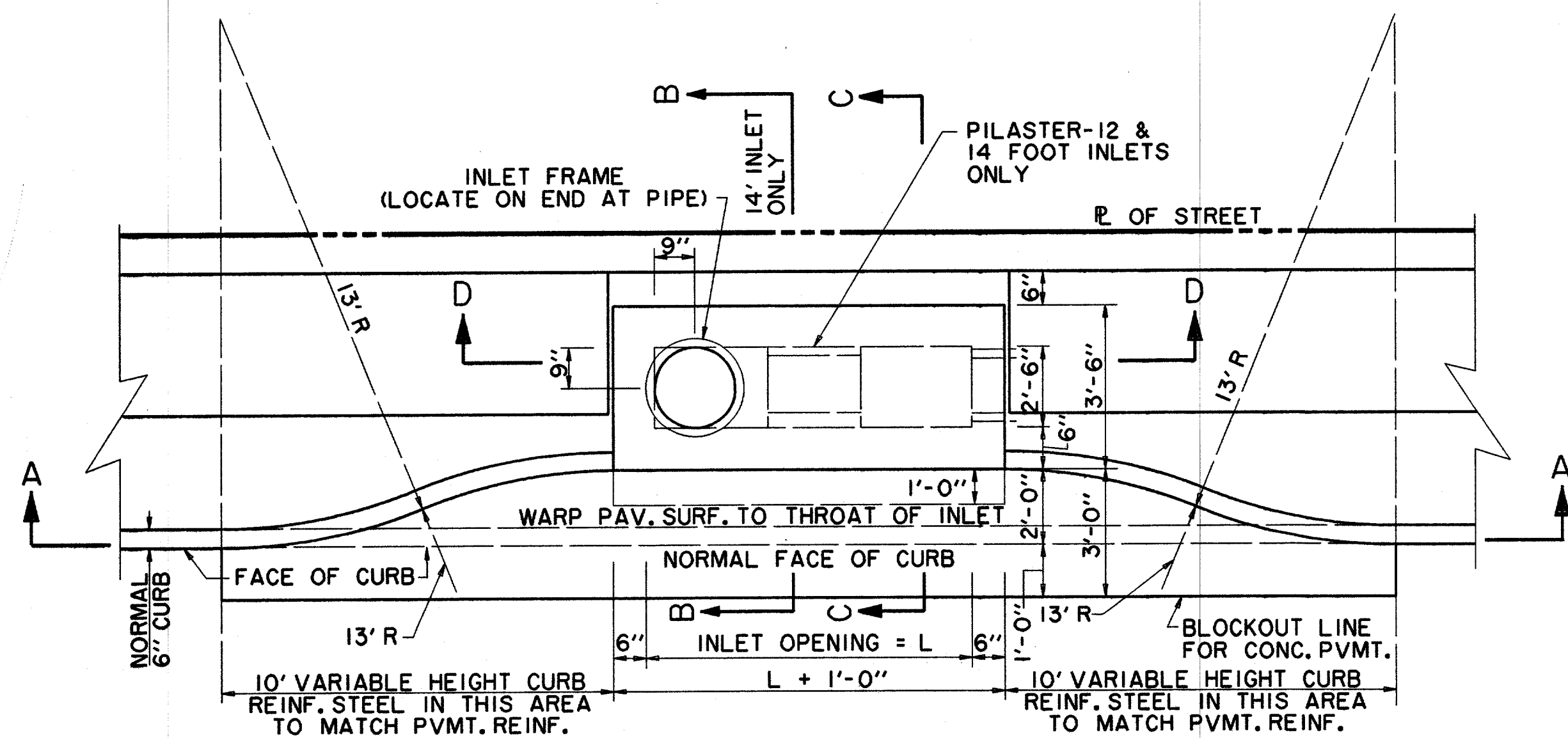
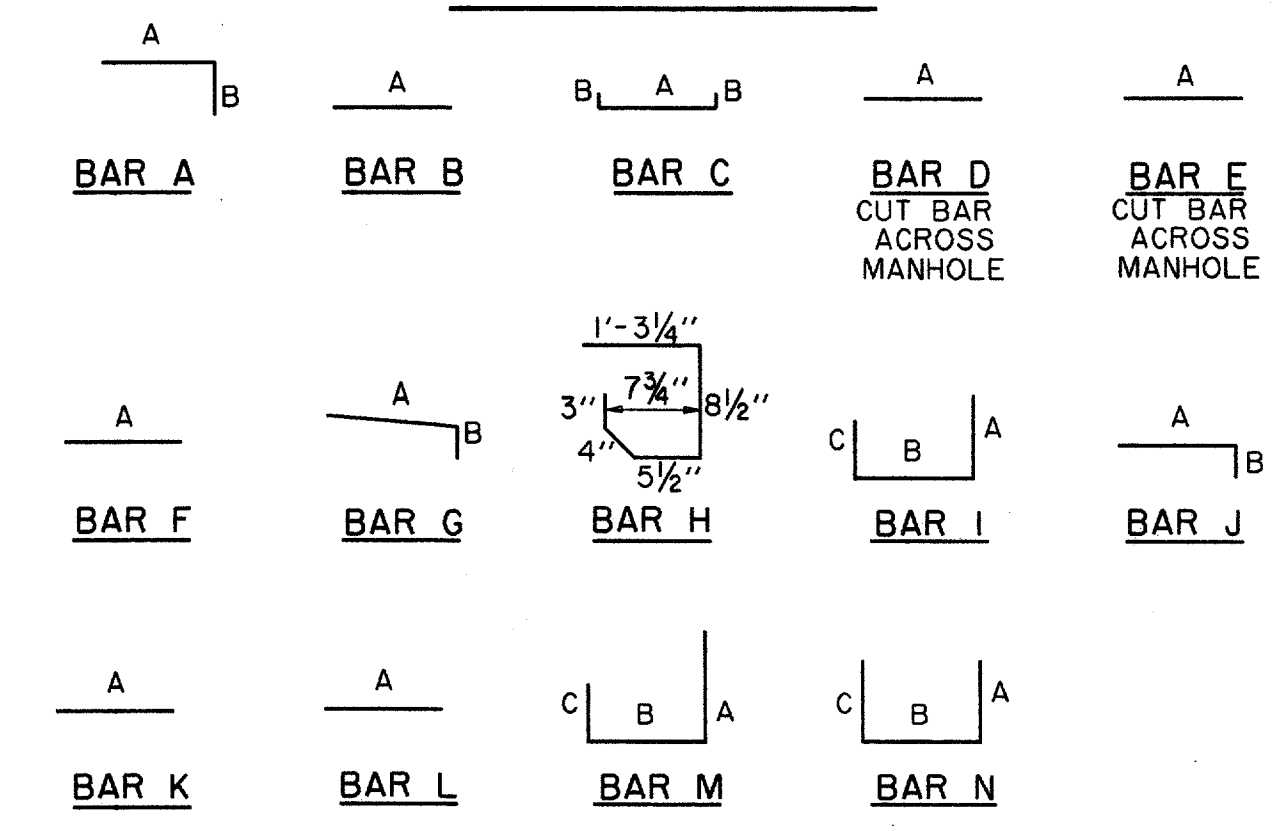
INLET LENGHT	BAR TYPE	BAR DIA. (1/8" IN)	NO. REQ'D	BAR DIMENSIONS		
				A	B	C
6	A	3	9	3'-2"	0'-3"	
6	B	3	1	4'-10"		
6	C	4	15	6'-8"	0'-6"	
6	D	4	5	4'-8"		
6	F	4	1	3'-2"		
6	G	3	5	2'-0"	1'-3"	
6	H	6	6			
6	N	3	3	3'-2"	3'-2"	3'-2"
8	A	3	12	3'-2"	0'-3"	
8	B	3	1	6'-10"		
8	C	4	15	8'-8"	0'-6"	
8	D	4	5	4'-8"		
8	F	4	1	3'-2"		
8	G	3	5	2'-0"	1'-3"	
8	H	6	8			
8	N	3	3	3'-2"	3'-2"	3'-2"
10	A	3	10	3'-2"	0'-3"	
10	B	3	2	8'-10"		
10	C	4	16	10'-8"	0'-6"	
10	D	4	4	4'-8"		
10	E	5	6	10'-8"		
10	G	3	5	2'-0"	1'-3"	
10	H	3	15			
10	I	4	8	4'-8"	3'-2"	3'-2"
10	L	4	5	4'-3"		
10	A	3	12	3'-2"	0'-3"	
10	B	3	2	10'-10"		
10	C	4	16	12'-8"	0'-6"	
10	D	4	4	4'-8"		
10	E	5	6	12'-8"		
10	G	3	5	2'-0"	1'-3"	
10	H	3	18			
10	I	4	10	4'-8"	3'-2"	3'-2"
10	J	5	9	3'-2"	1'-3"	
10	K	4	5	2'-3"		
10	L	4	5	4'-3"		
10	M	5	9	4'-3"	3'-2"	3'-9"
14	A	3	14	3'-2"	0'-3"	
14	B	3	2	10'-10"		
14	C	4	16	14'-8"	0'-6"	
14	D	4	4	4'-8"		
14	E	5	6	14'-8"		
14	G	3	5	2'-0"	1'-3"	
14	H	3	21			
14	I	4	12	4'-8"	3'-2"	3'-2"
14	J	5	9	3'-2"	1'-3"	
14	K	4	5	2'-3"		
14	L	4	5	4'-3"		
14	M	5	9	4'-3"	3'-2"	3'-9"

SEE DIAGRAM FOR DIMENSIONS



SECTION C-C - DETAIL  
10' & 14' INLETS  
N.T.S.

BAR DIAGRAMS



DATE	DESCRIPTION	REF. NO.				
1/05/04	ISSUED FOR CONSTRUCTION					
11/07/03	ISSUED FOR BID					
<b>DRAINAGE DETAILS</b>						
<b>SPECTRUM DRIVE EXTENSION</b>						
<b>TOWN OF ADDISON, TEXAS</b>						
<small>HUTT - Zolters, Inc. 3131 McKinney Ave., Suite 600, Dallas, TX 75204 Phone: (214) 871-3312/Fax: (214) 871-0757</small>						
DESIGN	DRAWN	APPR.	SCALE	DATE	PROJECT NO.	NO.
HZI	HZI	DEM	N.T.S.	NOV 2003	01-3220-01	24