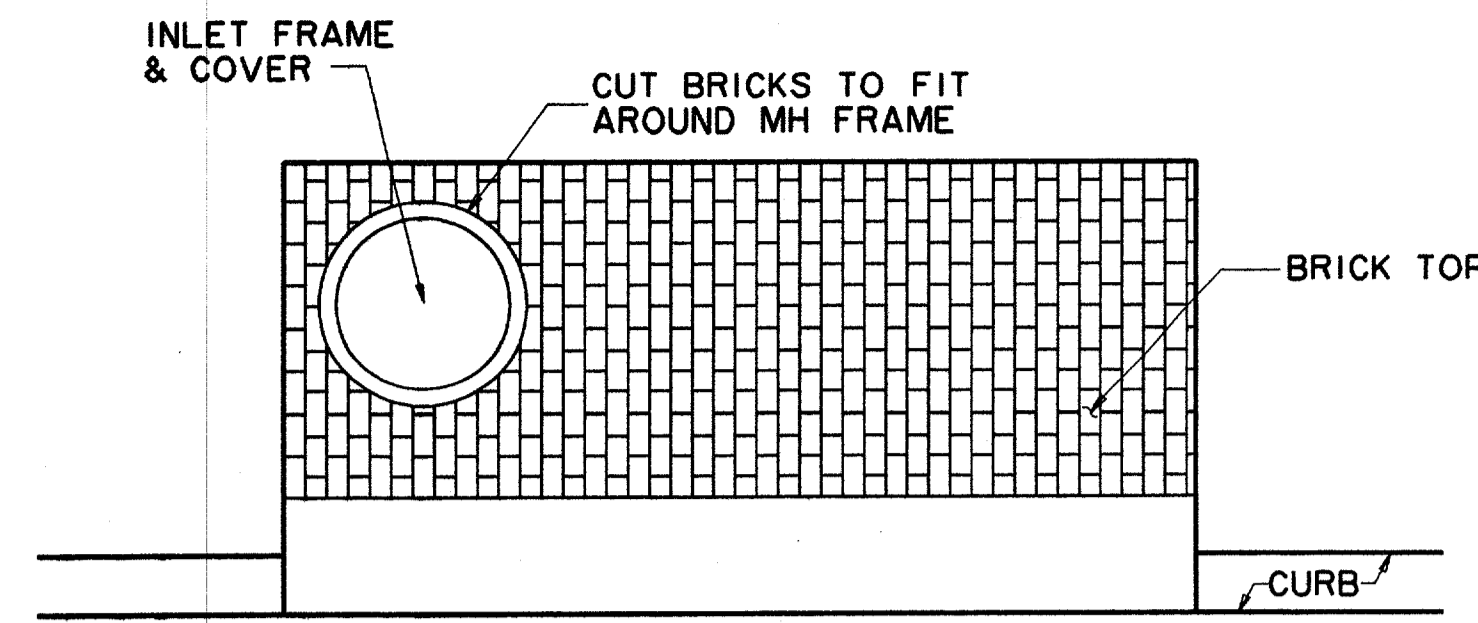
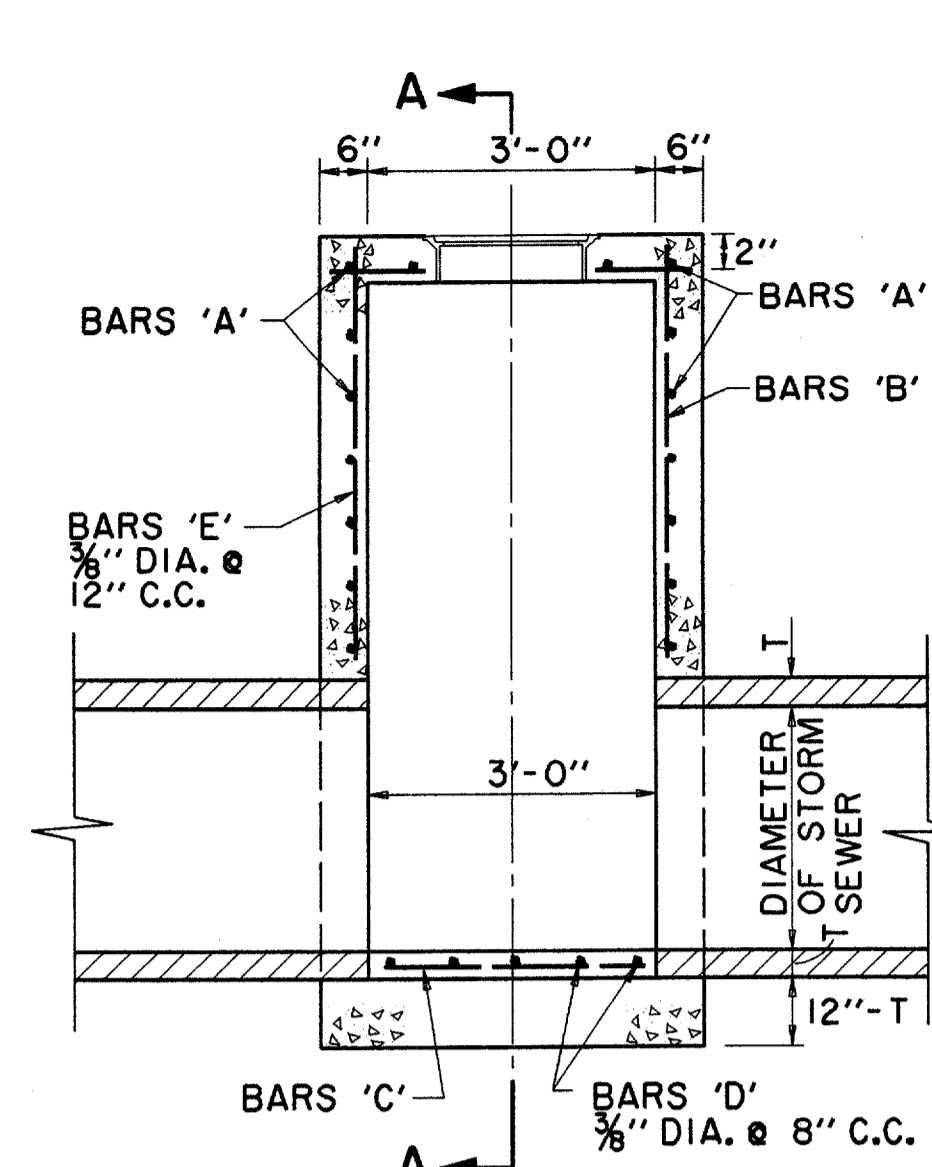


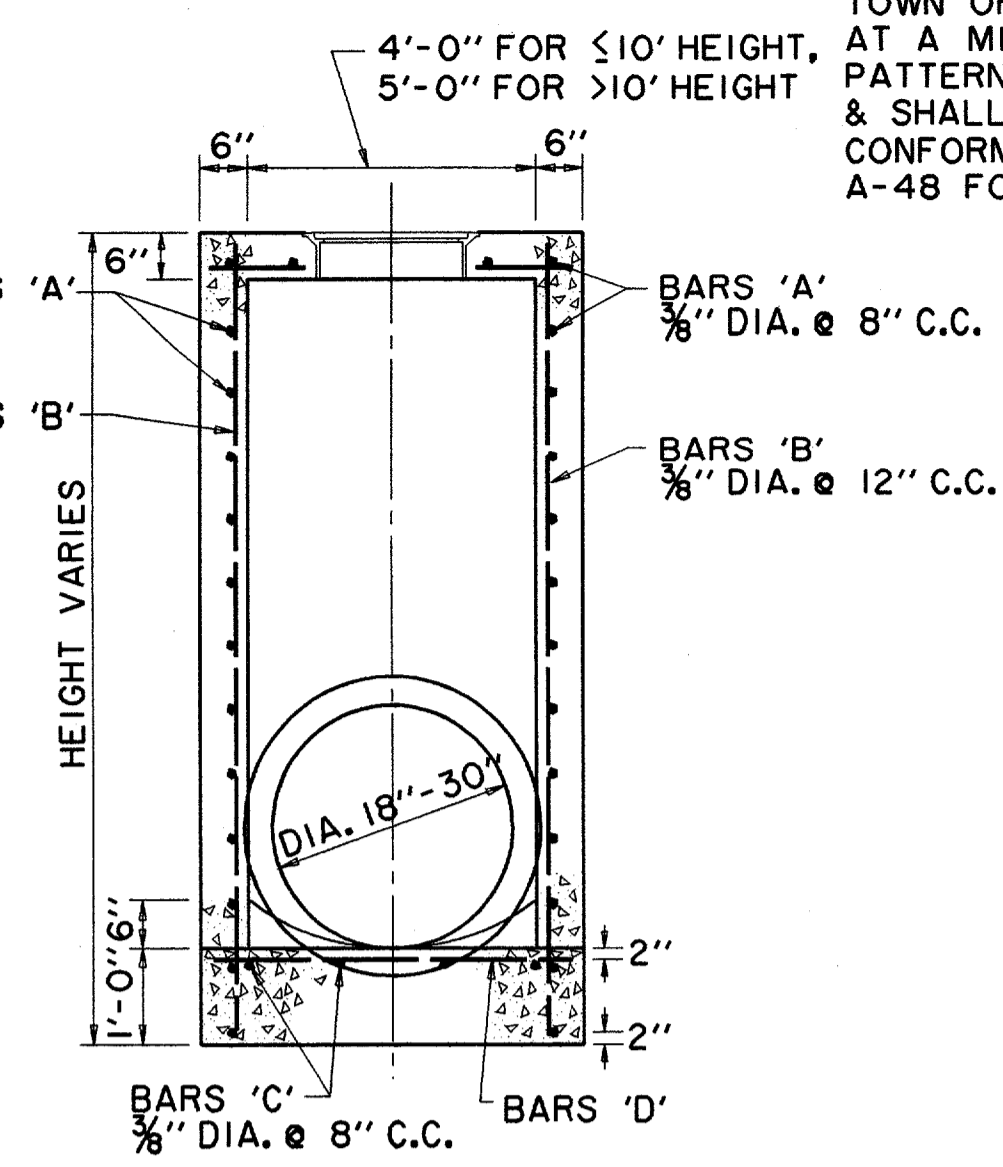
INLET PLAN
REINFORCING STEEL FOR BRICK ON INLET
N.T.S.



INLET PLAN
BRICK ON INLET
N.T.S.



ELEVATION
N.T.S.
TYPE A STORM SEWER MANHOLE
(FOR PIPE 18" TO 30" IN DIAMETER)

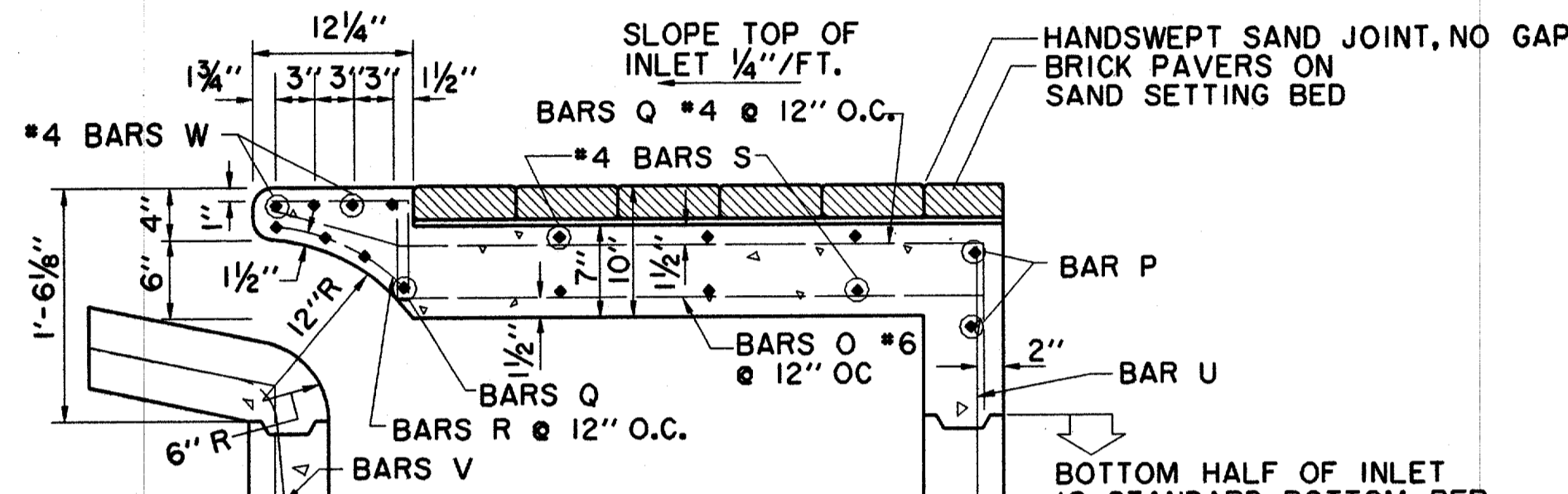


SECTION A-A
N.T.S.

TOP PLAN
TYPE A & TYPE B
STORM SEWER MANHOLE

N.T.S.
NOTE: MAXIMUM PIPE SIZE TO BE USED 78"

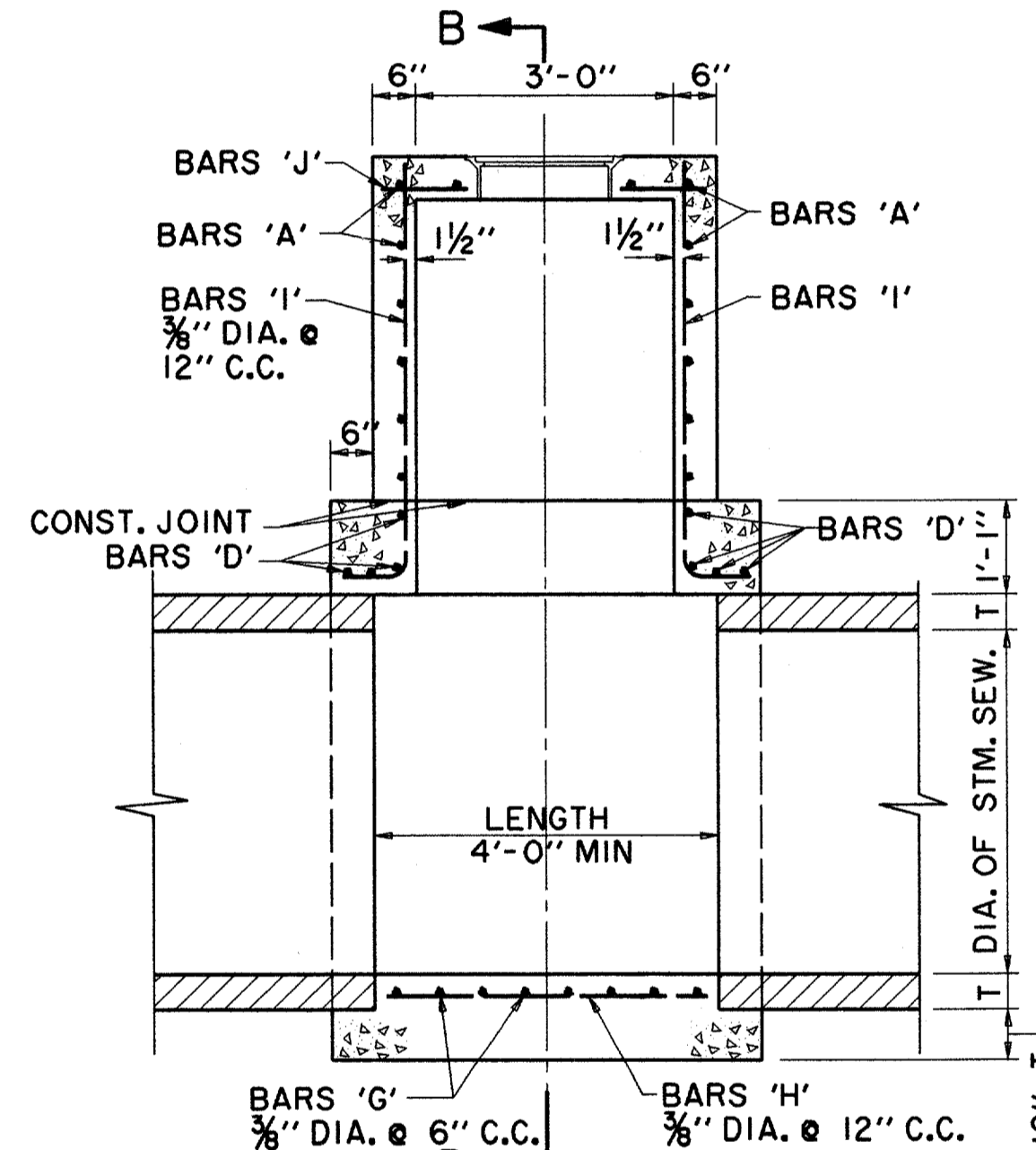
NOTE: MANHOLES & INLETS GREATER THAN 4' IN DEPTH SHALL HAVE BASS & HAYES MODEL MA STEPS OR APPROVED EQUAL



SECTION C-C - DETAIL
BRICK ON INLET
N.T.S.

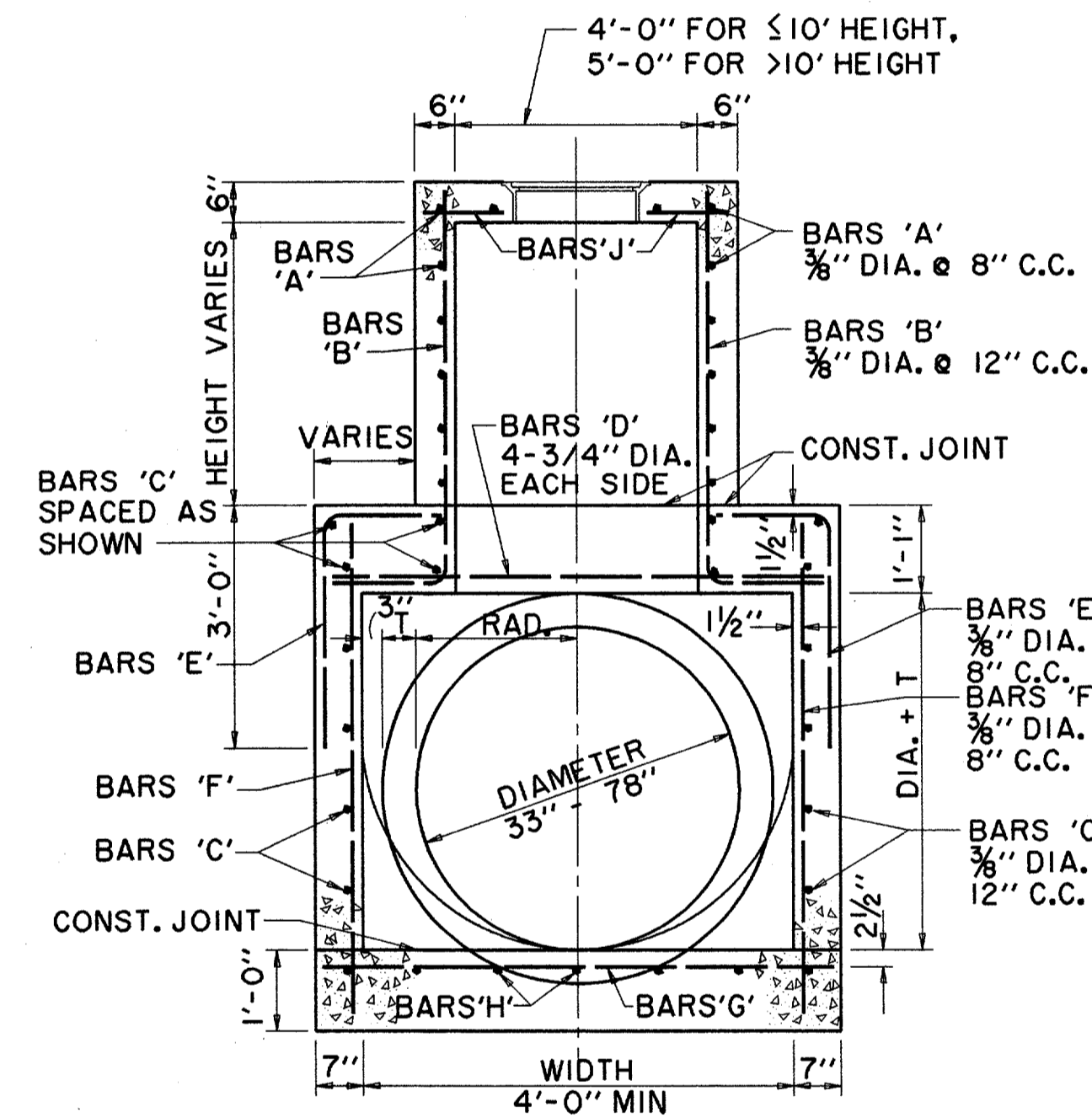
FOR EX. INLETS TO BE MODIFIED, BREAK OUT TOP ±20", TIE NEW STEEL TO OLD & POUR MODIFIED TOP.

BOTTOM HALF OF INLET IS STANDARD BOTTOM PER TOWN OF ADDISON DETAILS



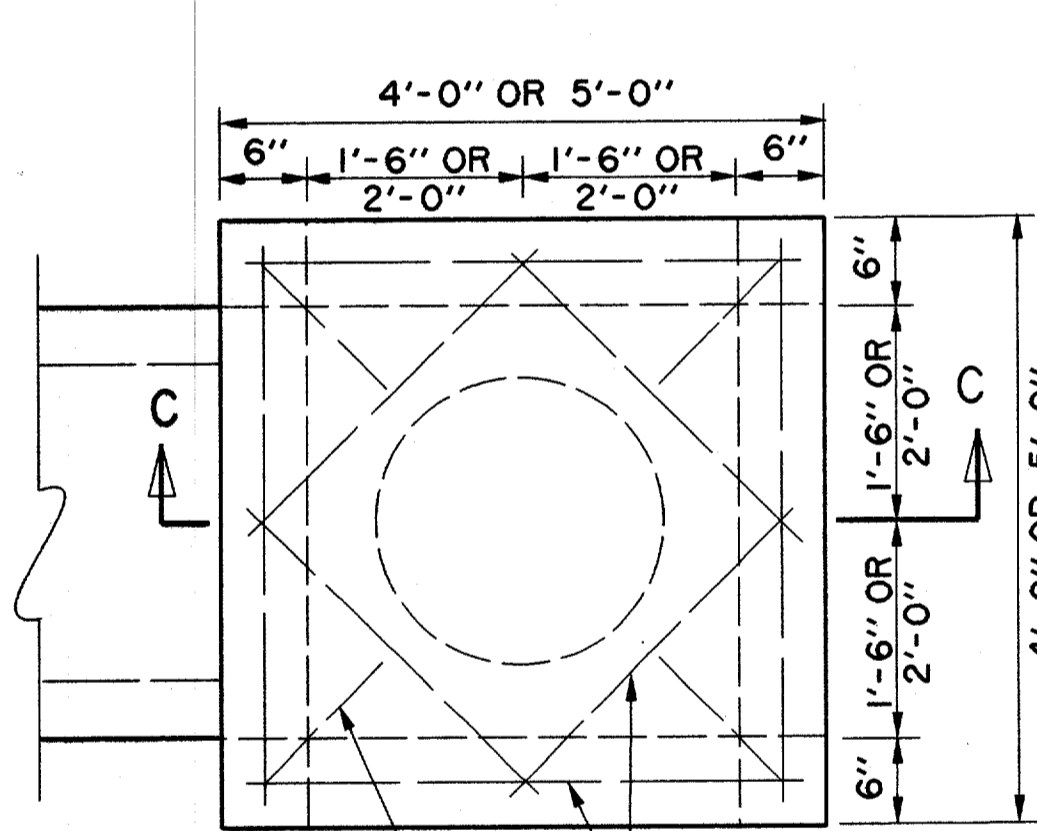
ELEVATION
N.T.S.

TYPE B STORM SEWER MANHOLE
(FOR PIPE 33" TO 78" IN DIAMETER)



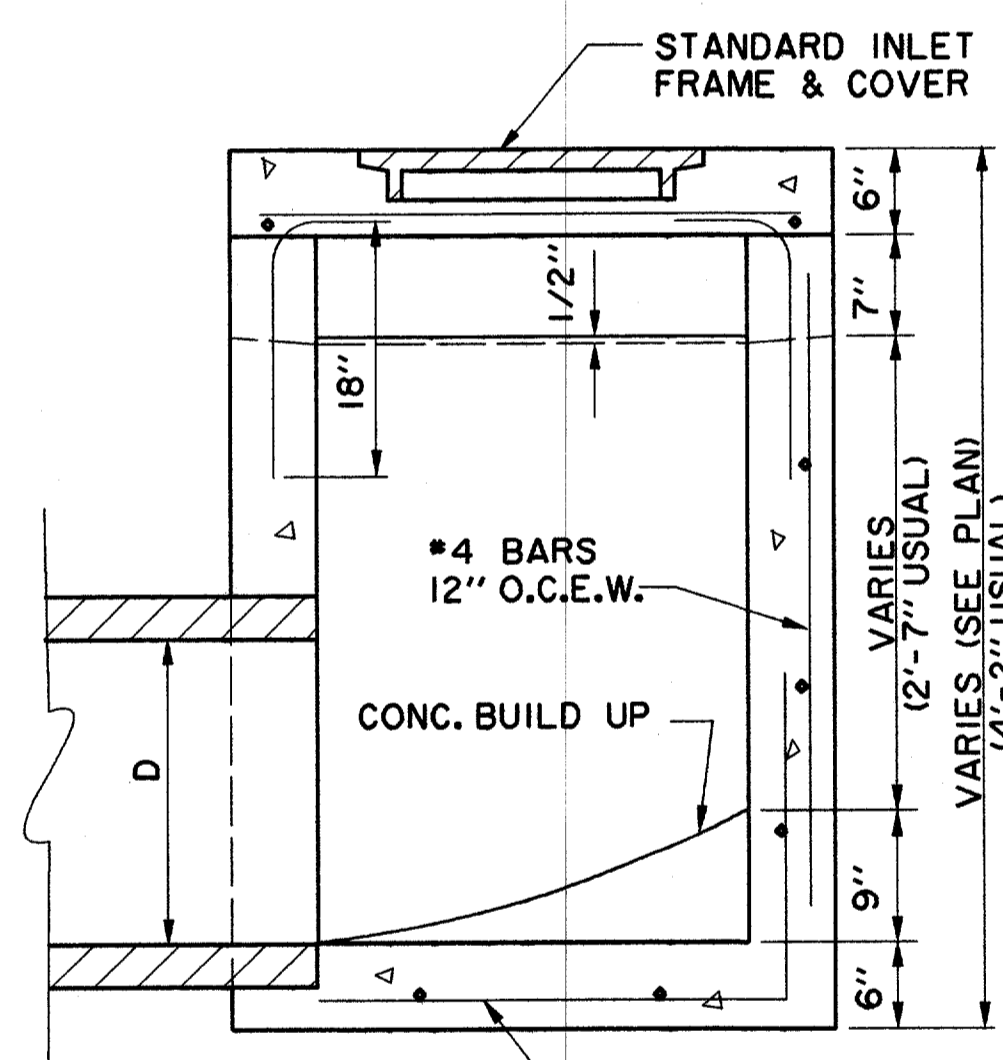
SECTION B-B
N.T.S.

NOTE: ALL INLET & MANHOLE WALLS SHALL BE FORMED. POURING AGAINST EXPOSED EARTH WILL NOT BE PERMITTED.

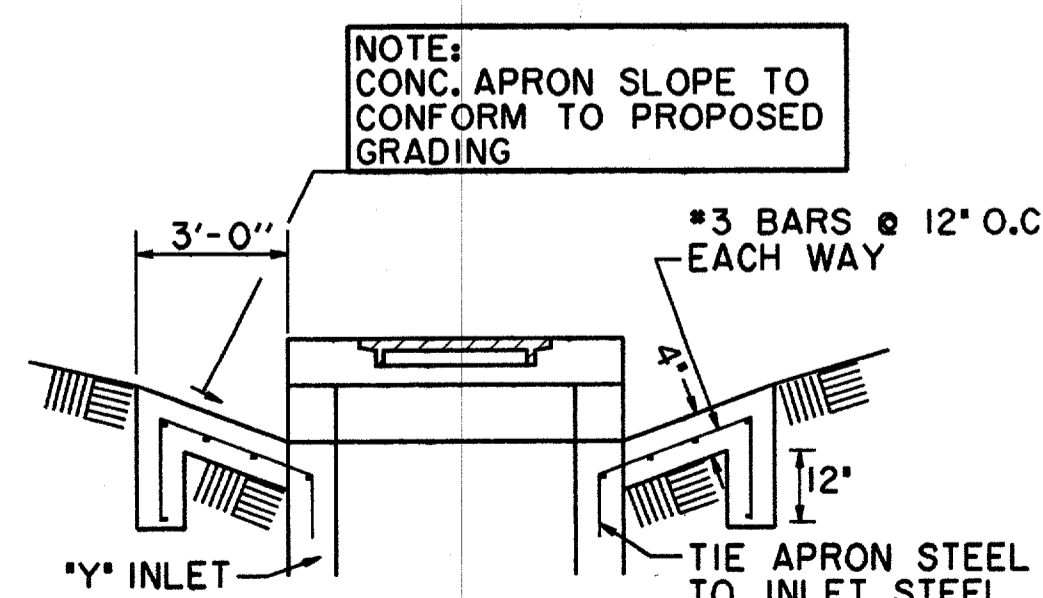


STANDARD TYPE "Y" INLET
N.T.S.

NOTE: ALL 'Y' INLETS TO HAVE CONC. APRON AROUND INLET

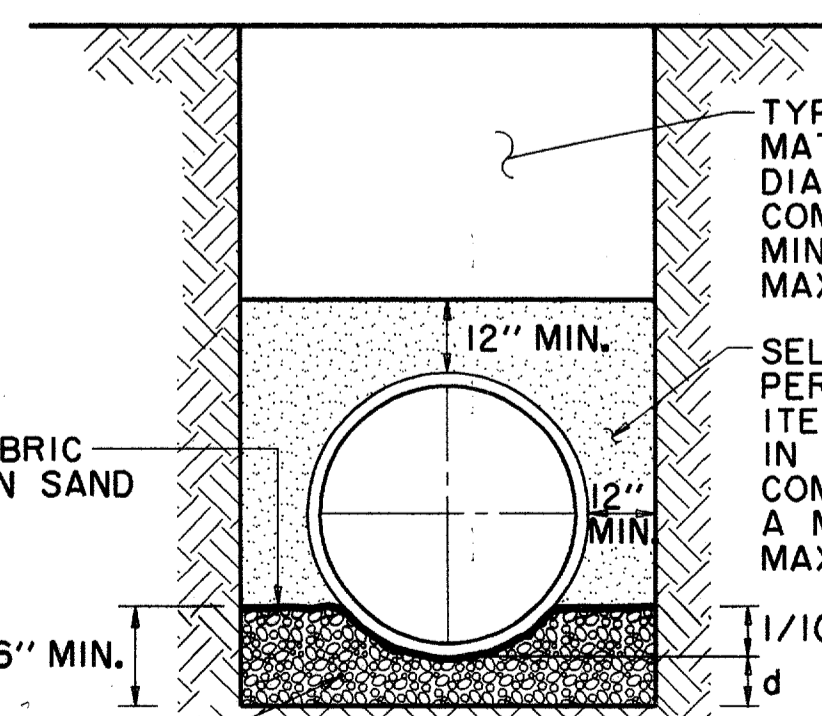


SECTION C-C
N.T.S.



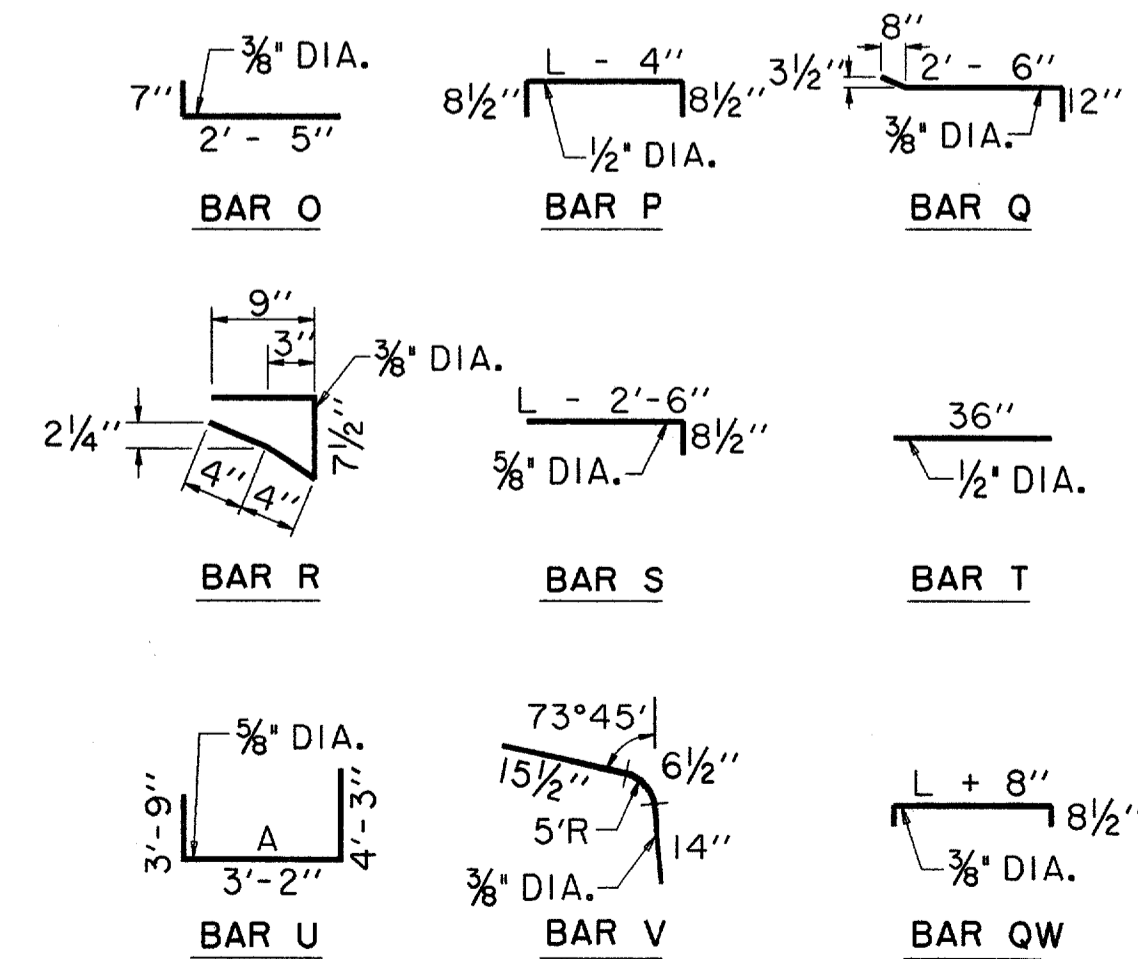
SECTION D-D
N.T.S.

NOTE: SLOPE TO CONFORM TO PROP. GRADING



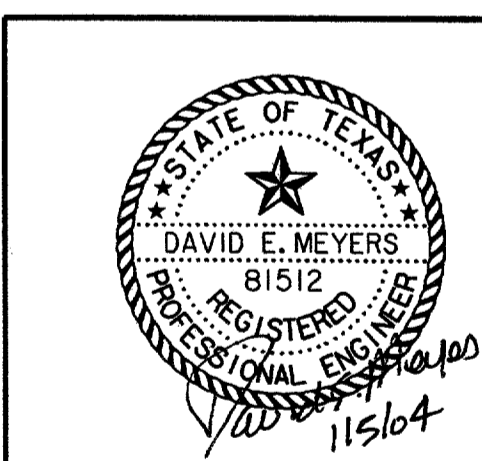
EMBEDMENT DETAIL
FOR STORM SEWER
N.T.S.

DEPTH OF BEDDING MATERIAL BELOW PIPE	
D (INSIDE DIAMETER)	d (MIN.)
24"	3"
30" TO 60"	4"
266"	6"



BAR DIAGRAMS (BRICK ON INLET)
N.T.S.

NOTE: BAR DESIGNATIONS AND DIMENSIONS ARE DIFFERENT FROM STEEL SCHEDULE FOR REGULAR INLETS.



DATE	DESCRIPTION	REF. NO.
1/05/04	ISSUED FOR CONSTRUCTION	
11/07/03	ISSUED FOR BID	

DRAINAGE DETAILS					
SPECTRUM DRIVE EXTENSION					
TOWN OF ADDISON, TEXAS					
DESIGN	DRAWN	APPR.	SCALE	DATE	PROJECT NO.
HZI	HZI	DEM	N.T.S.	NOV 2003	01-3220-01
					25

THE INFORMATION CONTAINED HEREIN IS THE PROPERTY OF HNTB COMPANY, INC. AND IS NOT TO BE REPRODUCED OR TRANSMITTED IN ANY FORM OR BY ANY MEANS, ELECTRONIC OR MECHANICAL, INCLUDING PHOTOCOPYING, RECORDING, OR BY ANY INFORMATION STORAGE AND RETRIEVAL SYSTEM, WITHOUT THE WRITTEN PERMISSION OF HNTB COMPANY, INC.