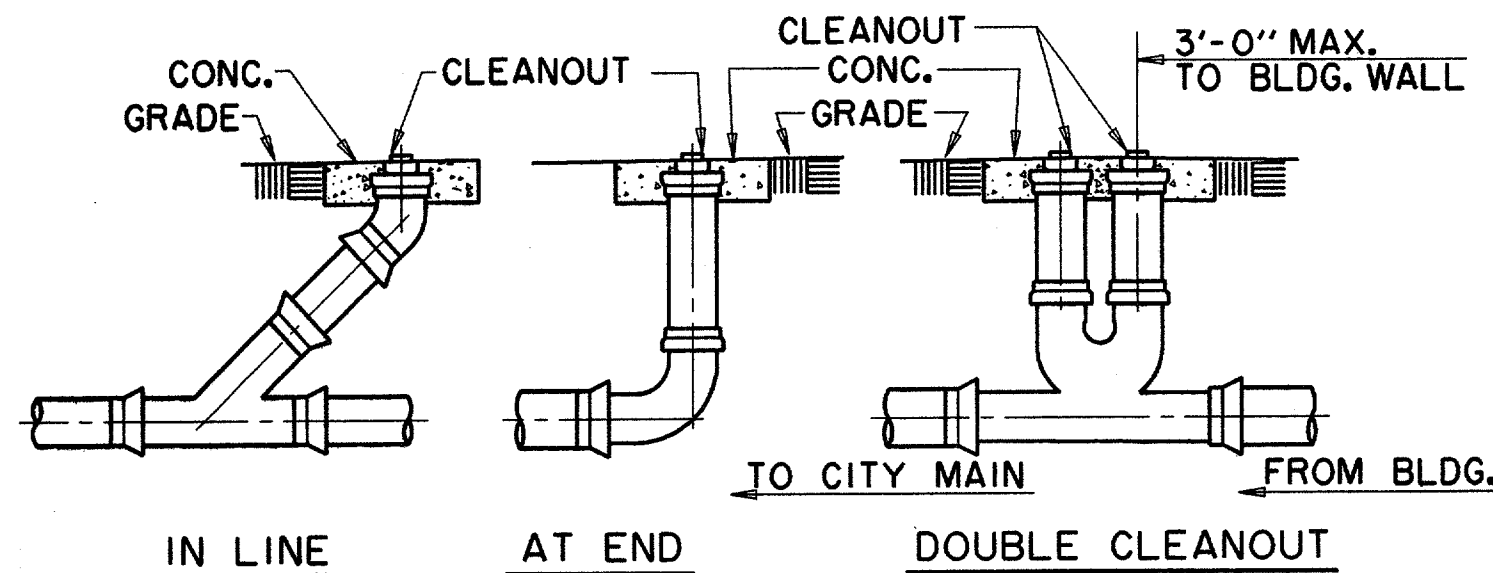


SANITARY SEWER CLEANOUT DETAIL

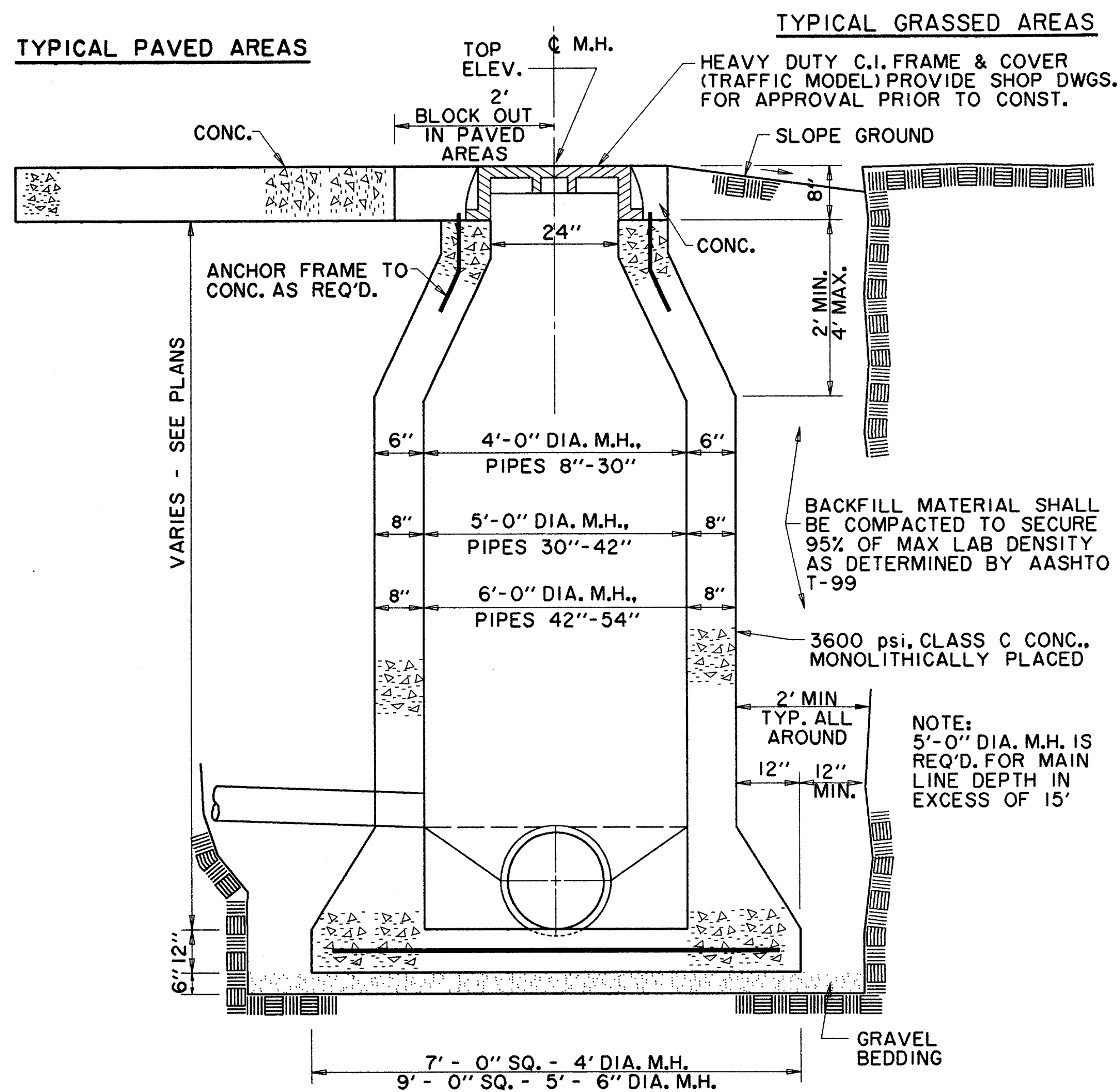
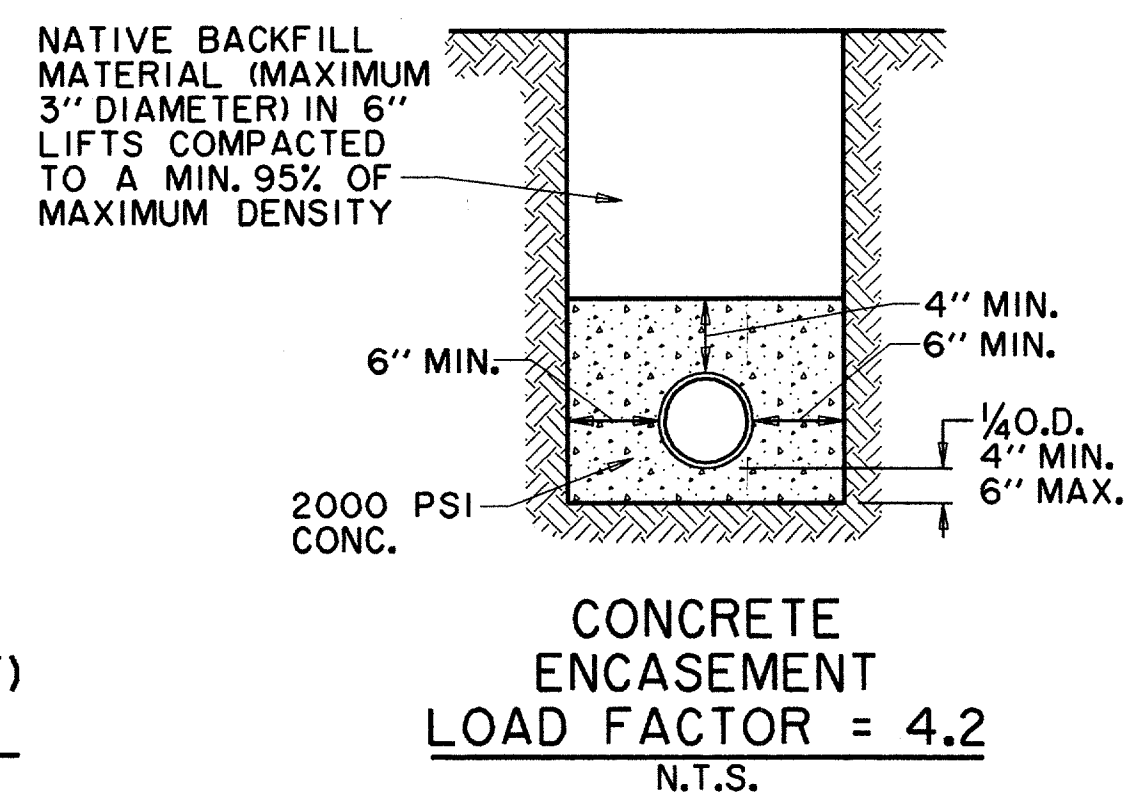
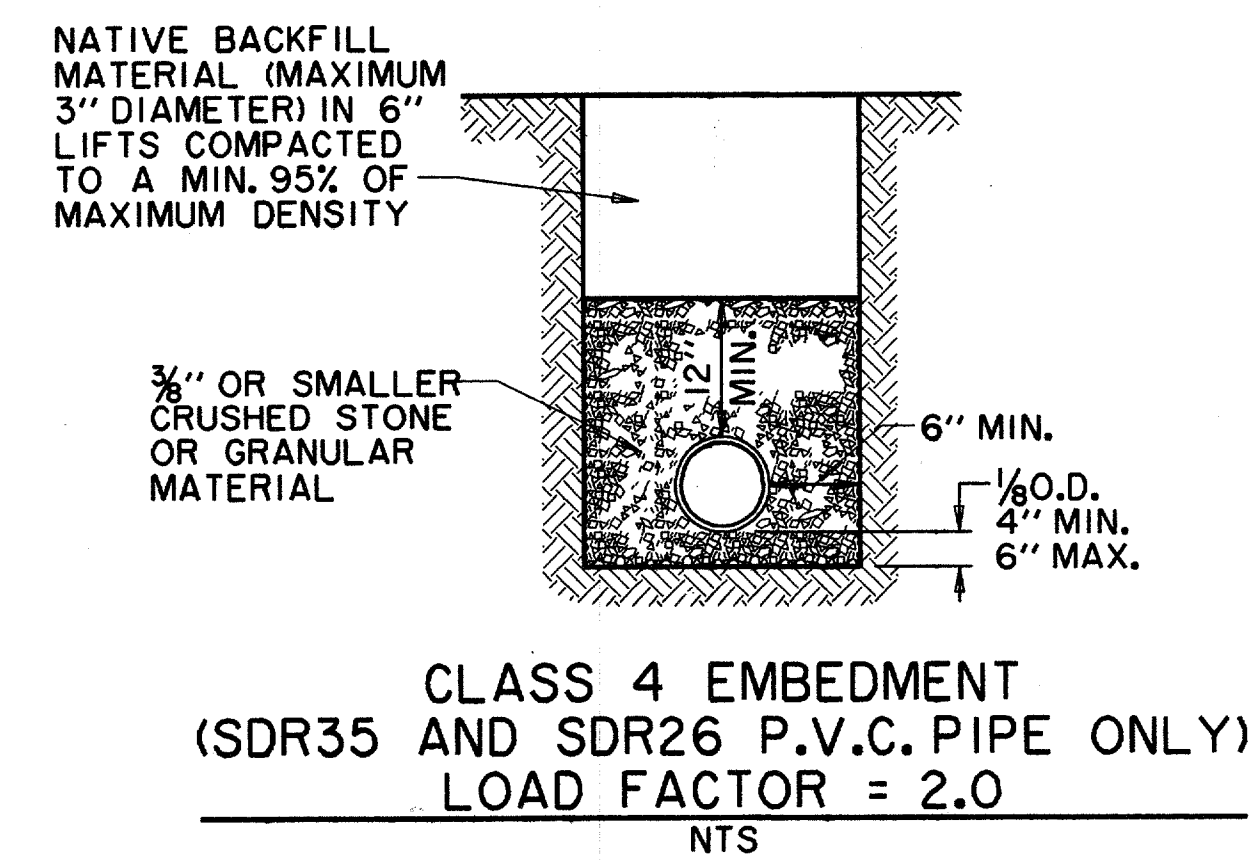
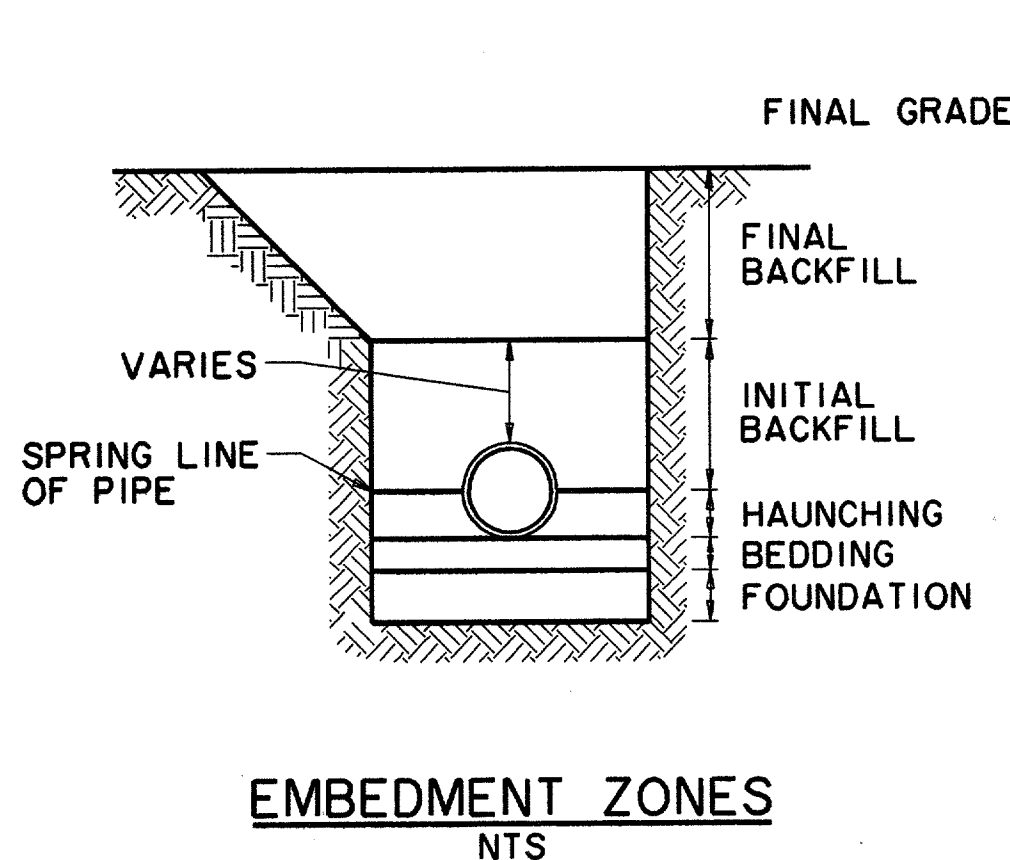
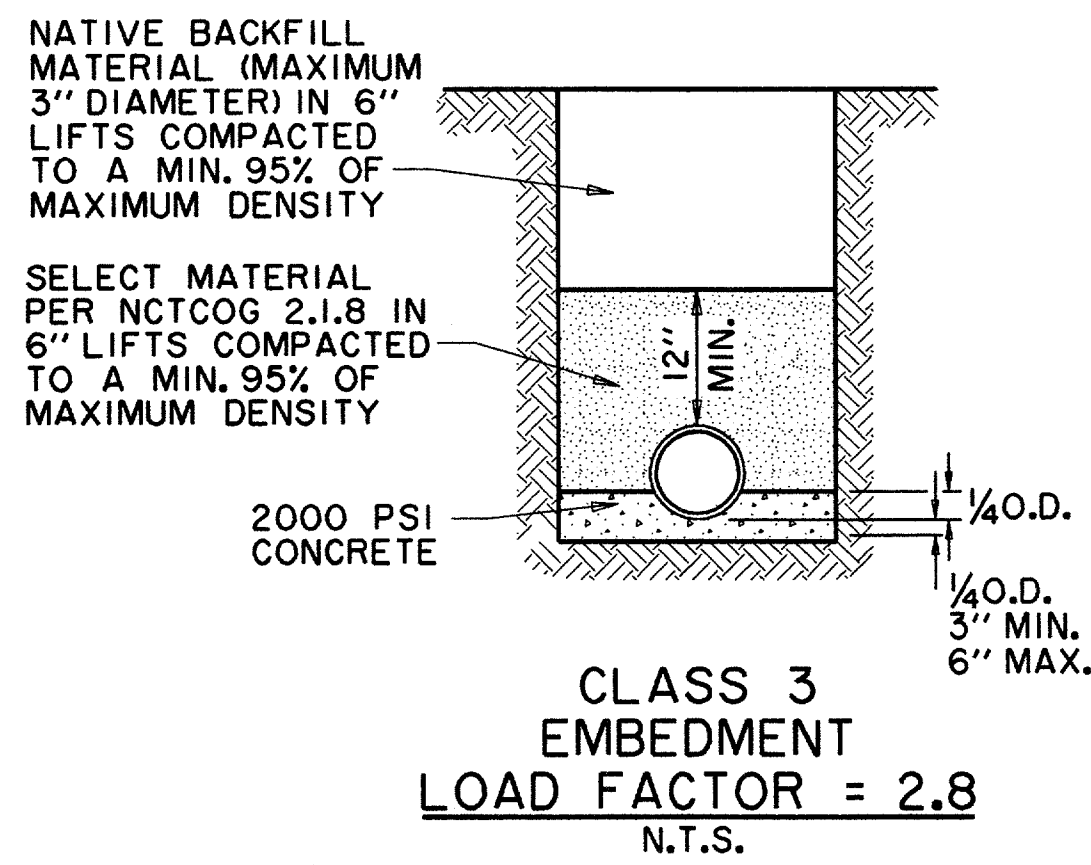
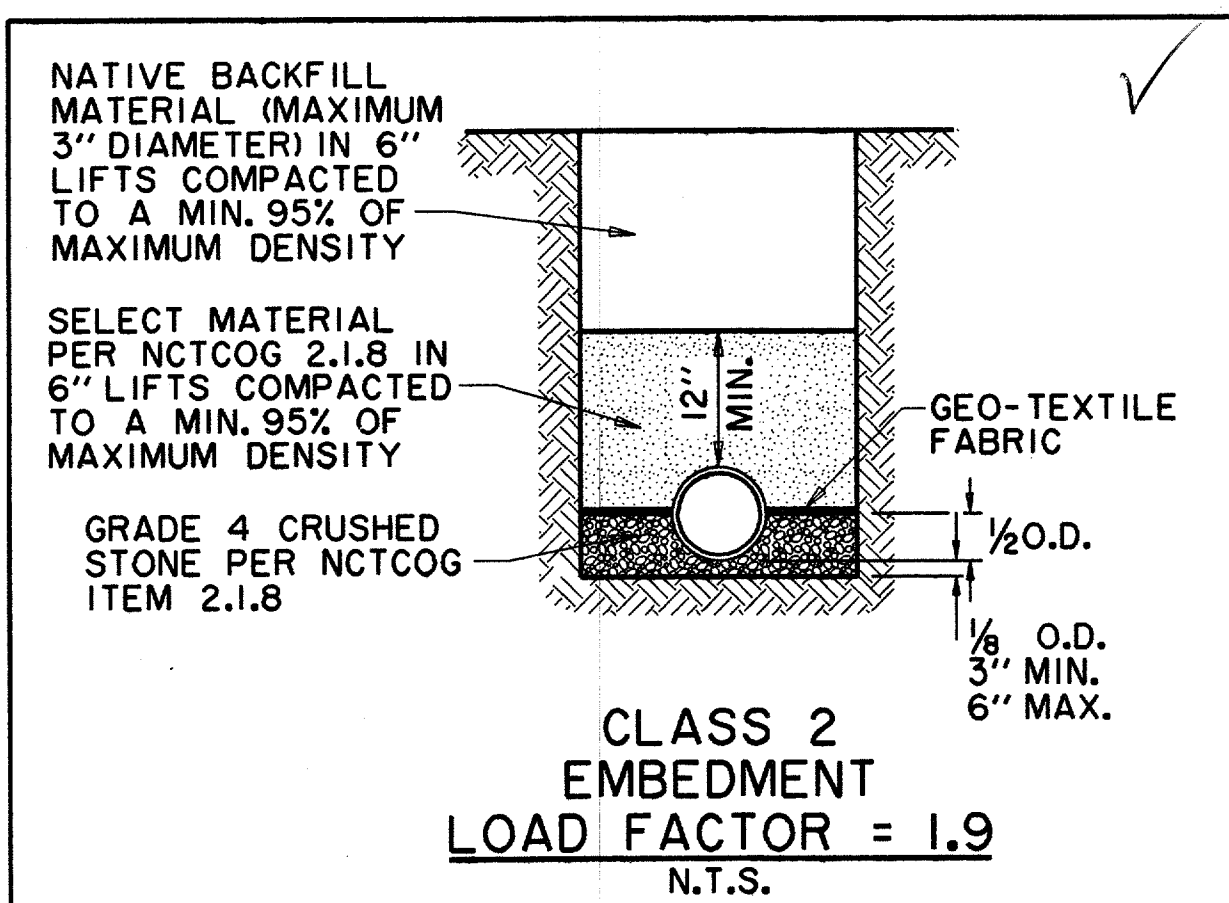
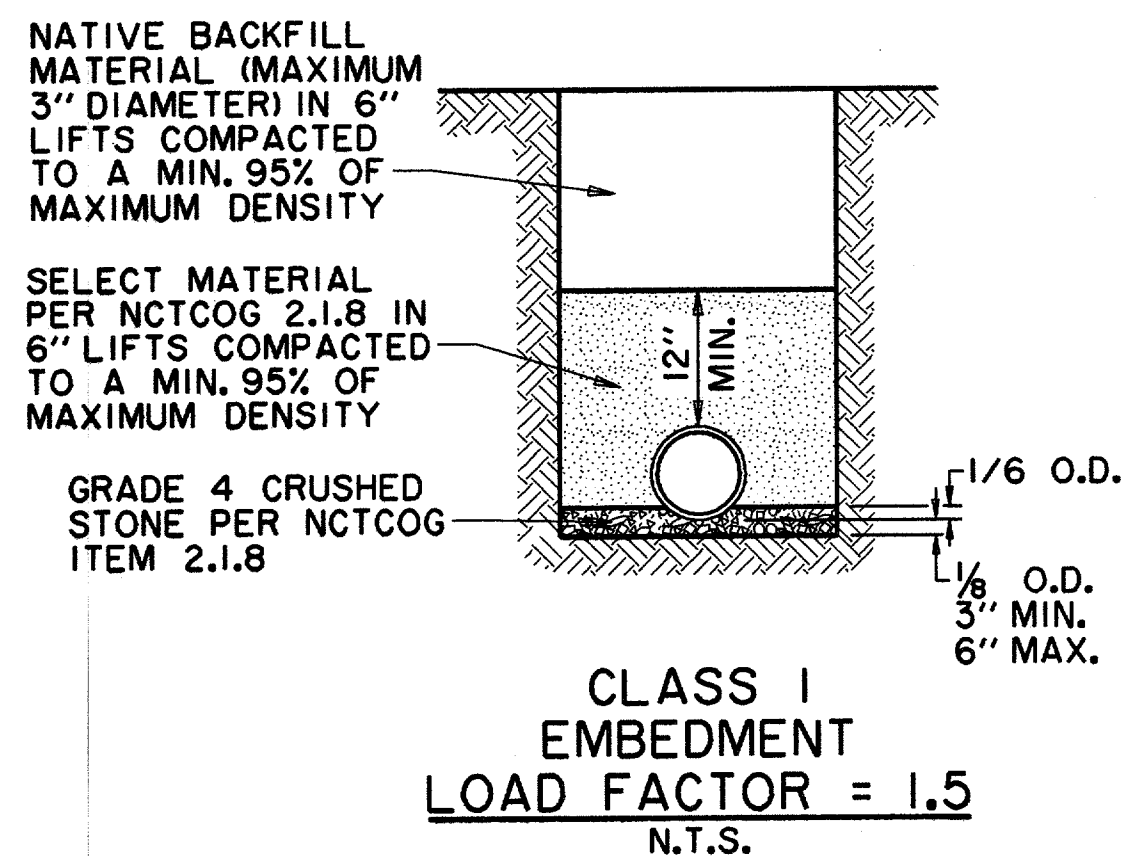
PVC SANITARY SEWER PIPE TO BE SDR 35 OR SDR 26 (AS NOTED ON PLANS) WITH INTEGRAL BELL. IT SHALL BE THE RESPONSIBILITY OF THE CONTRACTOR TO FIELD LOCATE HORIZONTALLY EACH SERVICE IN RELATION TO THE SANITARY SEWER STATIONING.

FIELD TIES ARE TO BE INCLUDED & RECORDED ON ALUMINIZED SANITARY SEWER TAPE. THIS TAPE, GREEN OR RED IN COLOR IS TO BE ATTACHED TO THE 6" SERVICE AT THE R.O.W. LINE AND BROUGHT TO THE SURFACE TO BE USED AS A PERMANENT MARKER.



TYPICAL CLEANOUTS

USE CLASS 2 EMBEDMENT UNLESS OTHERWISE NOTED



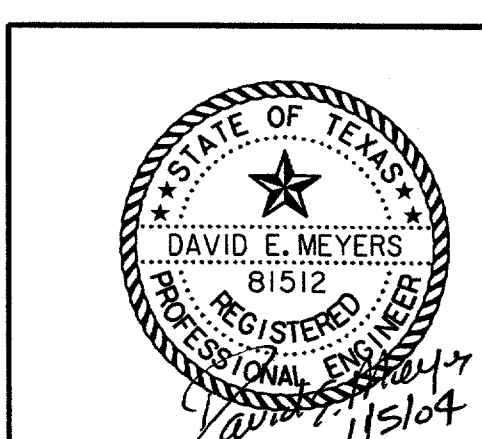
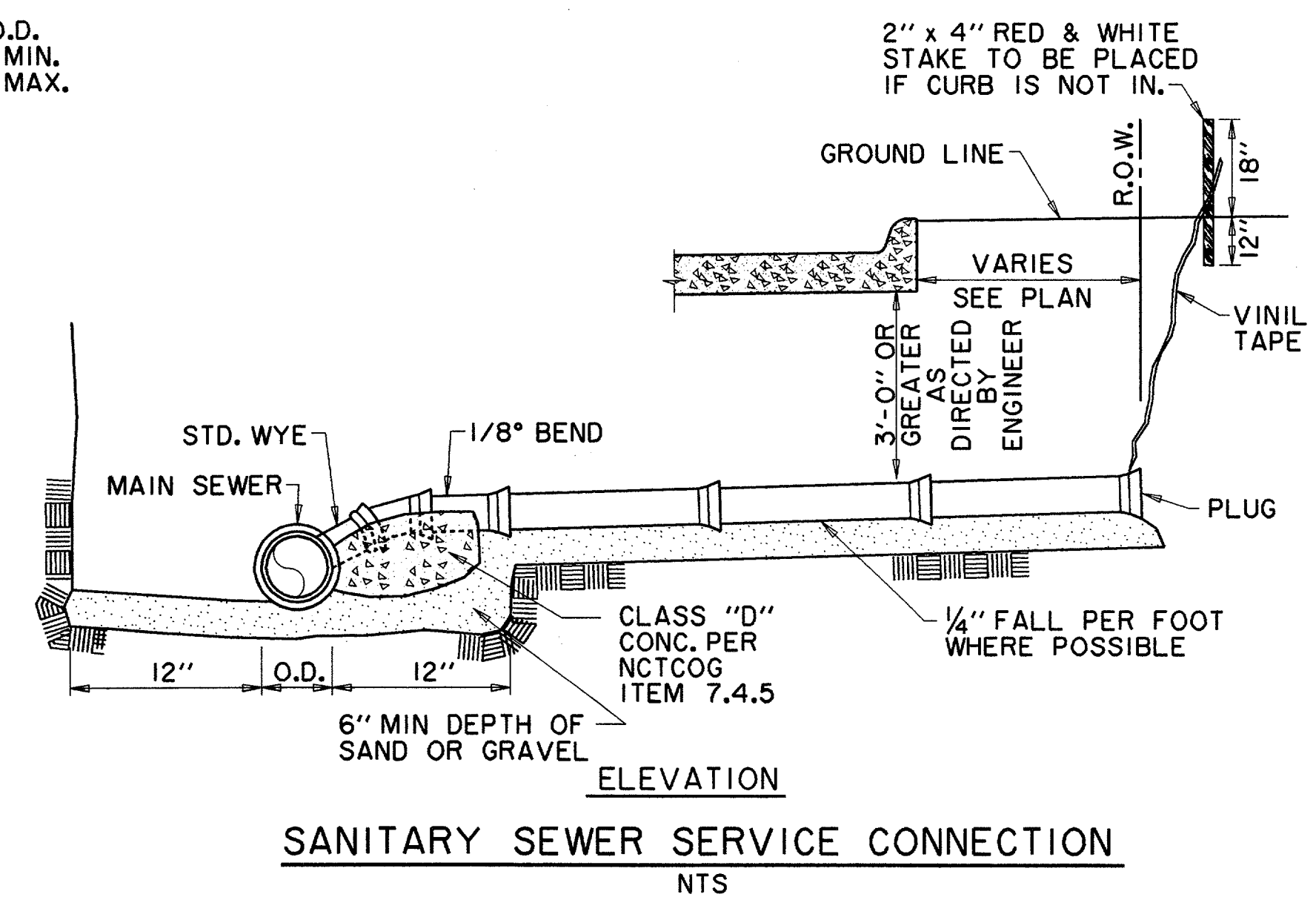
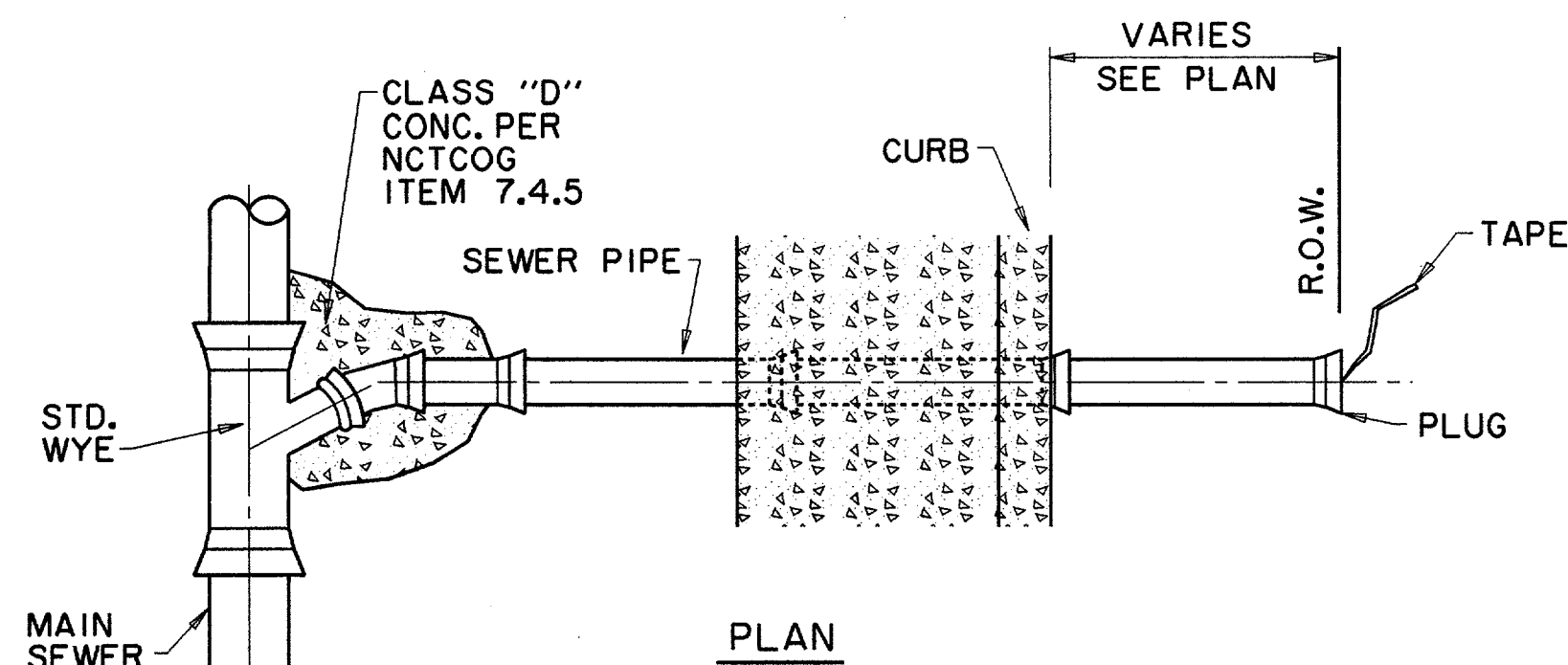
TYPICAL GRASSED AREAS

EMBEDMENT DETAILS FOR SANITARY SEWER

TABLE OF QUANTITIES OF 2000 PSI CONCRETE, GRAVEL OR CRUSHED STONE IN CUBIC YARDS PER 100 LINEAR FEET FOR EACH CLASS EMBEDMENT

TABLE OF QUANTITIES PER 100 LINEAR FEET REINFORCED CONCRETE PIPE							
SIZE OF PIPE IN INCHES I.D.	O.D. OF PIPE IN INCHES	TRENCH WIDTH IN INCHES	TRENCH WIDTH IN FEET	CLASS 1 EMBEDMENT CRUSHED STONE	CLASS 2 EMBEDMENT CONCRETE	CLASS 3 EMBEDMENT CONCRETE	CONCRETE ENCASEMENT
12	16.00	32	2.67	4.1	6.5	4.8	15.8
15	19.50	36	3.00	4.8	7.8	6.4	19.2
18	23.00	39	3.25	5.7	9.2	8.2	21.2
21	26.50	43	3.58	6.9	11.0	10.2	24.9
24	30.00	46	3.83	8.3	13.1	12.4	28.7
27	33.50	51	4.25	10.3	16.1	14.4	32.8
30	37.00	57	4.75	12.7	20.1	17.0	34.8
33	40.50	62	5.17	15.1	23.8	19.3	39.2
36	44.00	67	5.58	18.0	28.6	22.1	43.8

TABLE OF QUANTITIES PER 100 LINEAR FEET-PVC PIPE (IN CUBIC YARDS)					
SIZE OF PIPE IN INCHES I.D.	O.D. OF PIPE IN INCHES	TRENCH WIDTH IN INCHES	TRENCH WIDTH IN FEET	CLASS 4 EMBEDMENT CRUSHED STONE	CONCRETE ENCASEMENT
6	6.28	24	2.00	8.0	11.7
8	8.16	24	2.00	8.7	12.4
10	10.20	26	2.18	10.2	14.2
12	12.24	28	2.35	11.7	15.9
16	15.30	31	2.61	14.0	18.8
24	30.00	36	3.00		
30	37.00	42	3.50		



DATE	DESCRIPTION	REF. NO.
1/05/04	ISSUED FOR CONSTRUCTION	
11/07/03	ISSUED FOR BID	

WASTEWATER DETAILS						
SPECTRUM DRIVE EXTENSION						
TOWN OF ADDISON, TEXAS						
DESIGN	DRAWN	APPR.	SCALE	DATE	PROJECT NO.	NO.
HZI	HZI	DEM	N.T.S.	NOV 2003	01-3220-01	39

TYPICAL NATIVE MATERIAL COMPACTED TO:
95% OF STANDARD PROCTOR DENSITY @ OPTIMUM MOISTURE 0 TO +3% UNDER PVMT.
95% OF STANDARD PROCTOR DENSITY @ OPTIMUM MOISTURE 0 TO +3% OUTSIDE CURB
LINES JETTING IS NOT ALLOWED BACKFILL TO BE COMPACTED IN 6" +/- LIFTS
TYPICAL NATIVE MATERIAL (MAX. 3" DIA.)